



US00D919335S

(12) **United States Design Patent** (10) **Patent No.:** **US D919,335 S**  
**Wang** (45) **Date of Patent:** **\*\* \*May 18, 2021**

- (54) **MIXER DUST COVER**
- (71) Applicant: **XIAMEN XINGHENGXING IMPORT & EXPORT CO., LTD.,**  
Xiamen (CN)
- (72) Inventor: **Jiben Wang,** Xiamen (CN)
- (73) Assignee: **XIAMEN XINGHENGXING IMPORT & EXPORT CO., LTD.,**  
Xiamen (CN)
- (\*) Notice: This patent is subject to a terminal disclaimer.
- (\*\*) Term: **15 Years**
- (21) Appl. No.: **29/706,649**
- (22) Filed: **Sep. 23, 2019**
- (51) **LOC (13) Cl.** ..... **06-13**
- (52) **U.S. Cl.**  
USPC ..... **D6/610**
- (58) **Field of Classification Search**  
USPC ..... D6/596, 603, 610, 611, 616; D7/376,  
D7/391  
CPC ..... A45C 13/36; A45C 3/03; A45C 3/001;  
B60R 7/043; B60N 2/60  
See application file for complete search history.

- D296,699 S \* 7/1988 Baruffa ..... D15/78
- 5,113,983 A \* 5/1992 Workman ..... A45C 5/14  
190/111
- D348,793 S \* 7/1994 Herrick ..... D23/412
- D384,855 S \* 10/1997 Robertson ..... D25/16
- D389,363 S \* 1/1998 Robertson ..... D6/610
- D476,518 S \* 7/2003 Doppelt ..... D6/610
- D532,561 S \* 11/2006 La Luzerne ..... D30/119
- D533,972 S \* 12/2006 La Luzerne ..... D30/108
- D642,848 S \* 8/2011 Van Note ..... D6/610
- D702,973 S \* 4/2014 Norland ..... D6/610
- D819,368 S \* 6/2018 Zemel ..... A45C 5/06  
D6/610
- D884,390 S 5/2020 Wang
- D884,391 S 5/2020 Wang  
(Continued)

**OTHER PUBLICATIONS**

Homest Stand Mixer Cover, Jun. 11, 2019, found on Jan. 28, 2021 at Amazon.com: HOMEST Stand Mixer Cover Compatible with KitchenAid Bowl Lift 5-8 Quart , Dust Cover with Zipper Pocket for Accessories, Red (Patent Design): Kitchen & Dining (Year: 2019).\*

*Primary Examiner* — Karen S Acker

(57) **CLAIM**

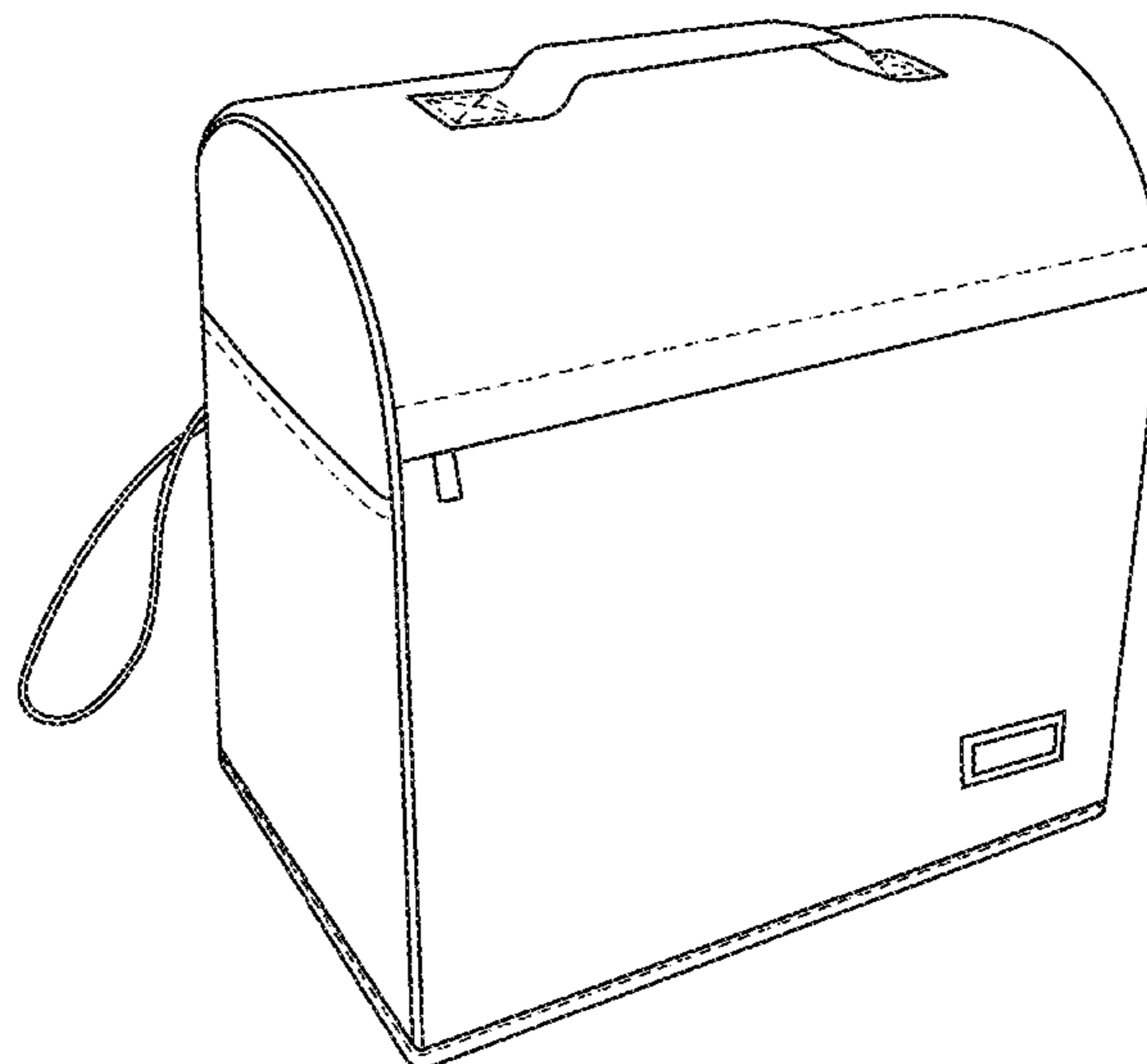
The ornamental design for a mixer dust cover, as shown and described.

**DESCRIPTION**

FIG. 1 is a front perspective view of a mixer dust cover showing my new design;  
FIG. 2 is a front view thereof;  
FIG. 3 is a rear view thereof;  
FIG. 4 is a left view thereof;  
FIG. 5 is a right view thereof;  
FIG. 6 is a top side view thereof; and,  
FIG. 7 is a bottom side view, thereof.  
The broken lines depict stitching that forms no part of the claimed design.

**1 Claim, 7 Drawing Sheets**

- (56) **References Cited**  
U.S. PATENT DOCUMENTS
- 1,951,527 A \* 3/1934 Oas ..... A45F 4/02  
190/109
- 2,444,511 A \* 7/1948 Kaufmann ..... A45C 3/001  
190/119
- 2,471,612 A \* 5/1949 Freeman ..... A45C 3/001  
190/126
- D180,959 S \* 9/1957 Roberdeaux ..... D6/610
- D184,056 S \* 12/1958 Kaye ..... D6/610
- 3,781,075 A \* 12/1973 Fresard ..... D05B 77/00  
312/208.6



(56)

**References Cited**

U.S. PATENT DOCUMENTS

D888,465 S \* 6/2020 Weng ..... A45C 5/14  
D6/610  
D890,818 S \* 7/2020 Wang ..... A45C 3/001  
D15/78  
D897,134 S \* 9/2020 Wang ..... A45C 3/001  
D6/610  
D901,214 S \* 11/2020 Hu ..... D6/610  
D907,404 S \* 1/2021 Whelley McCabe .. D05B 77/00  
D6/610  
2017/0020250 A1\* 1/2017 Boschan ..... A45C 5/06

\* cited by examiner

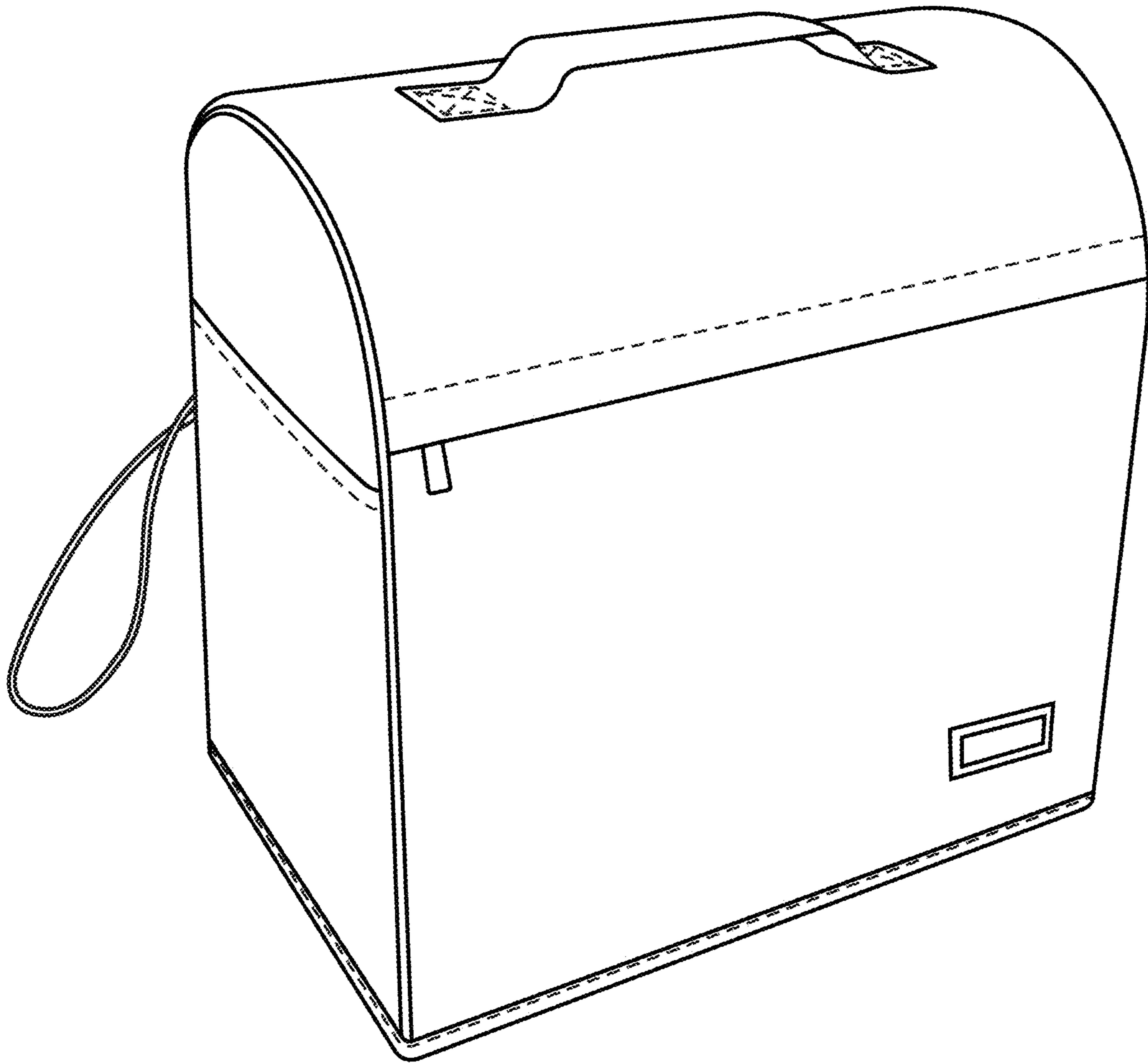


FIG. 1

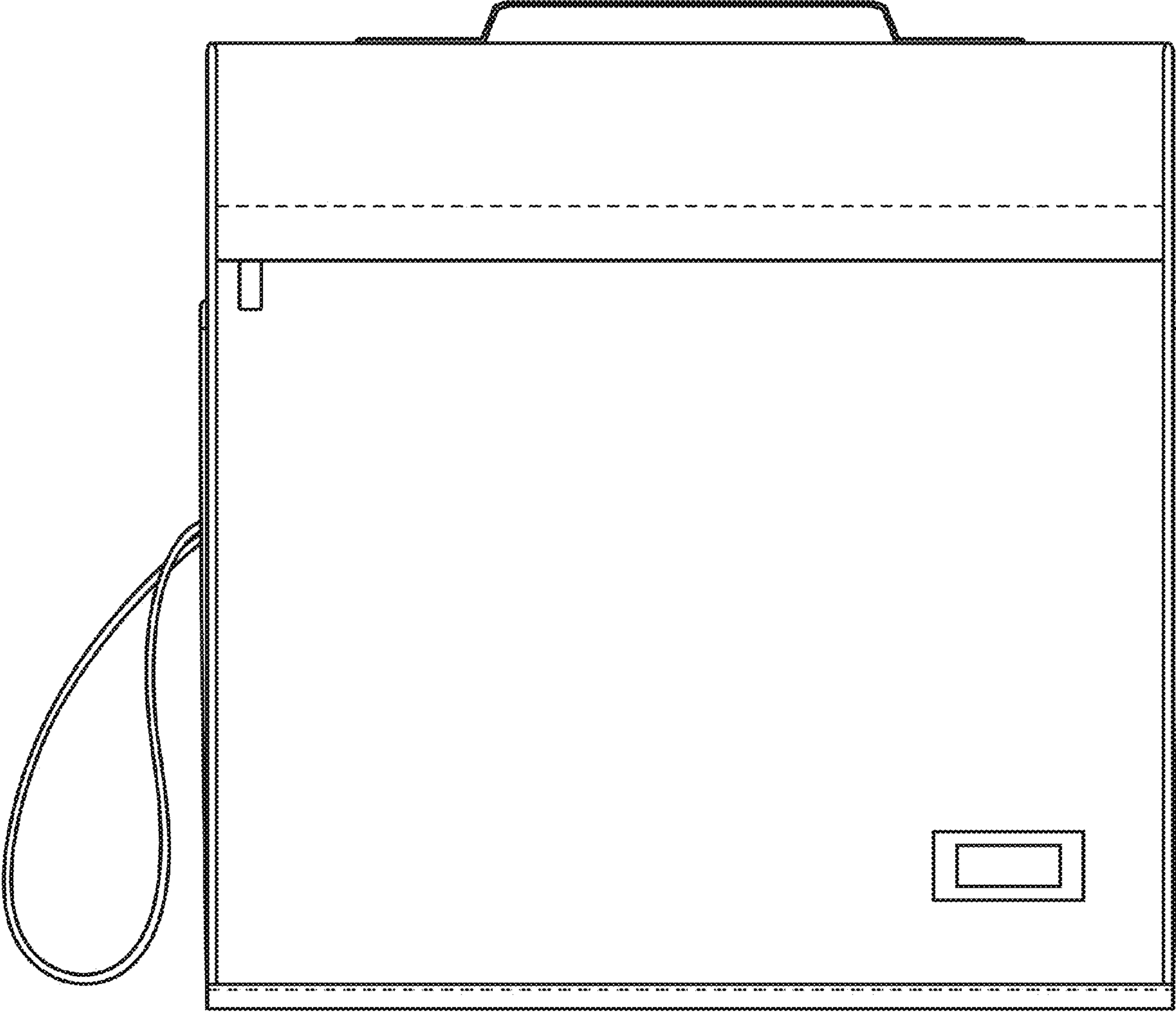


FIG. 2

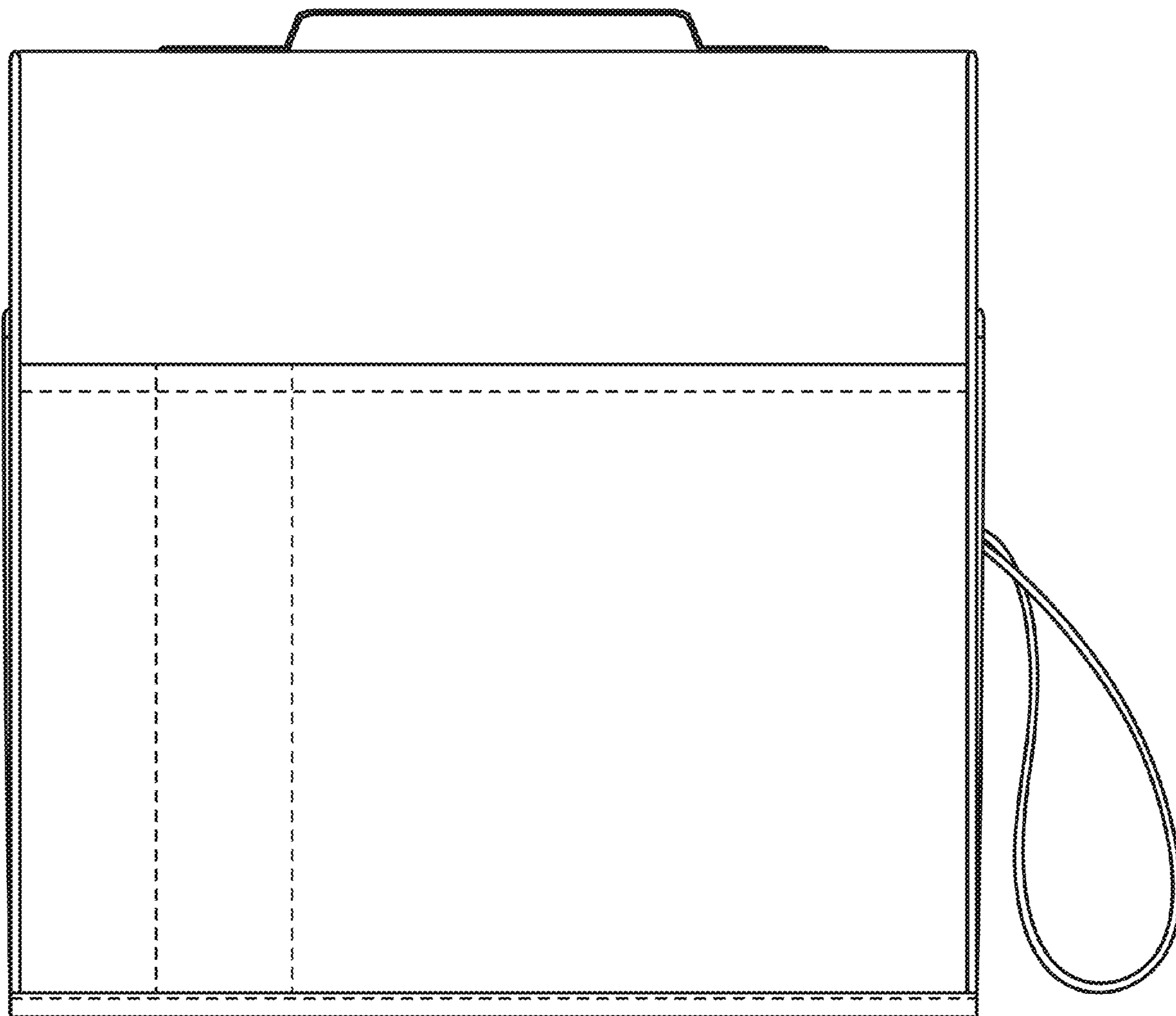


FIG. 3

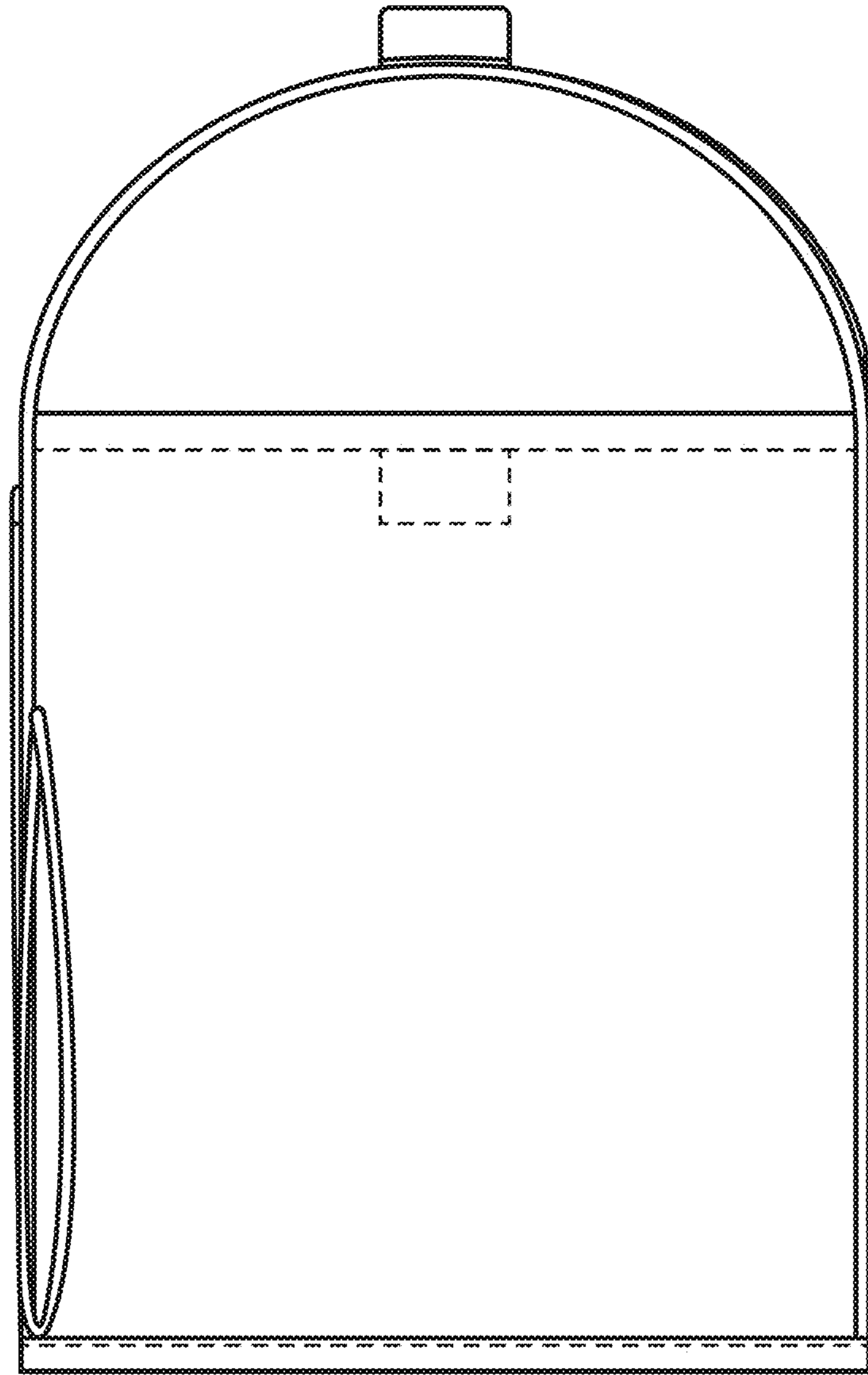


FIG. 4

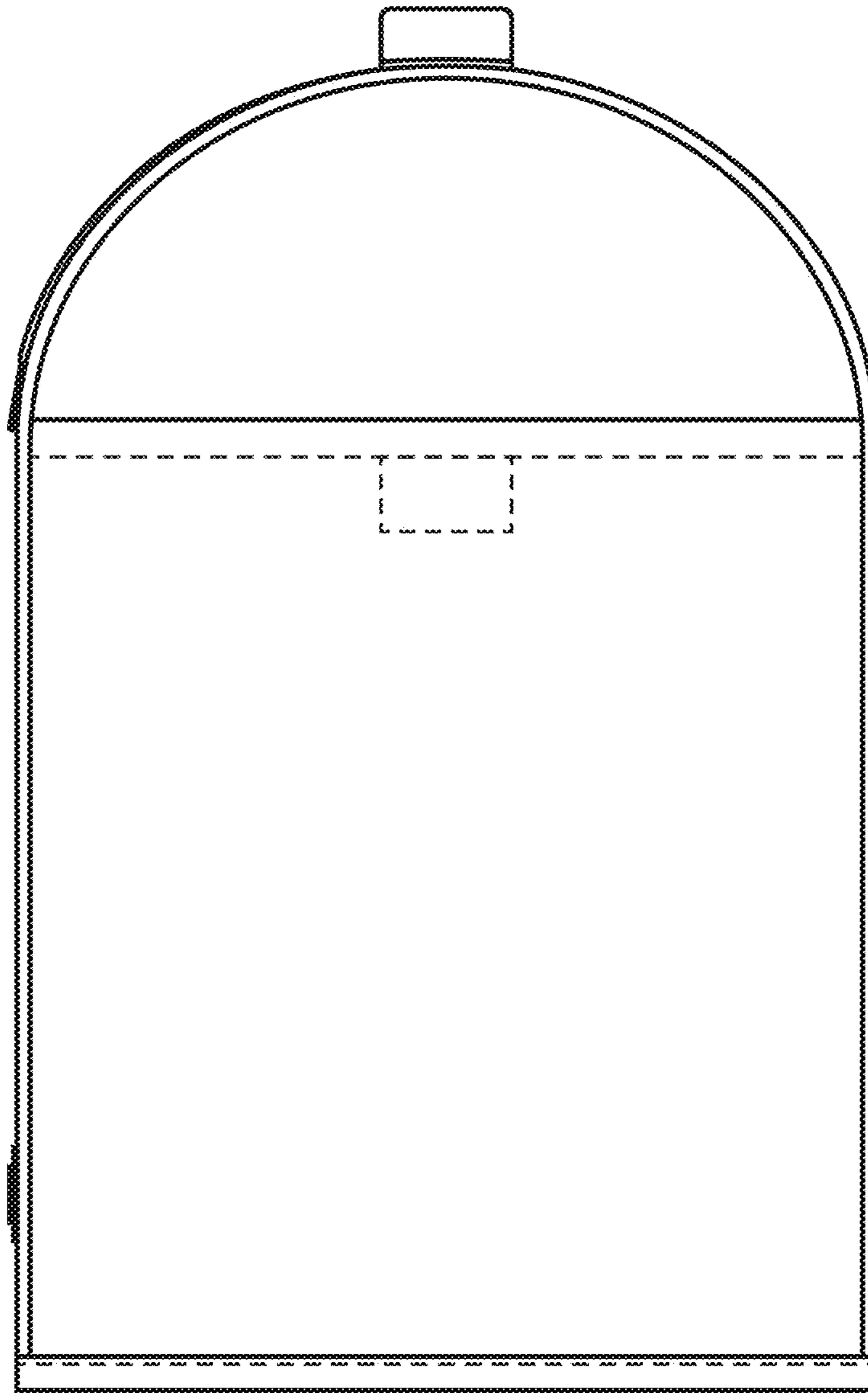


FIG. 5

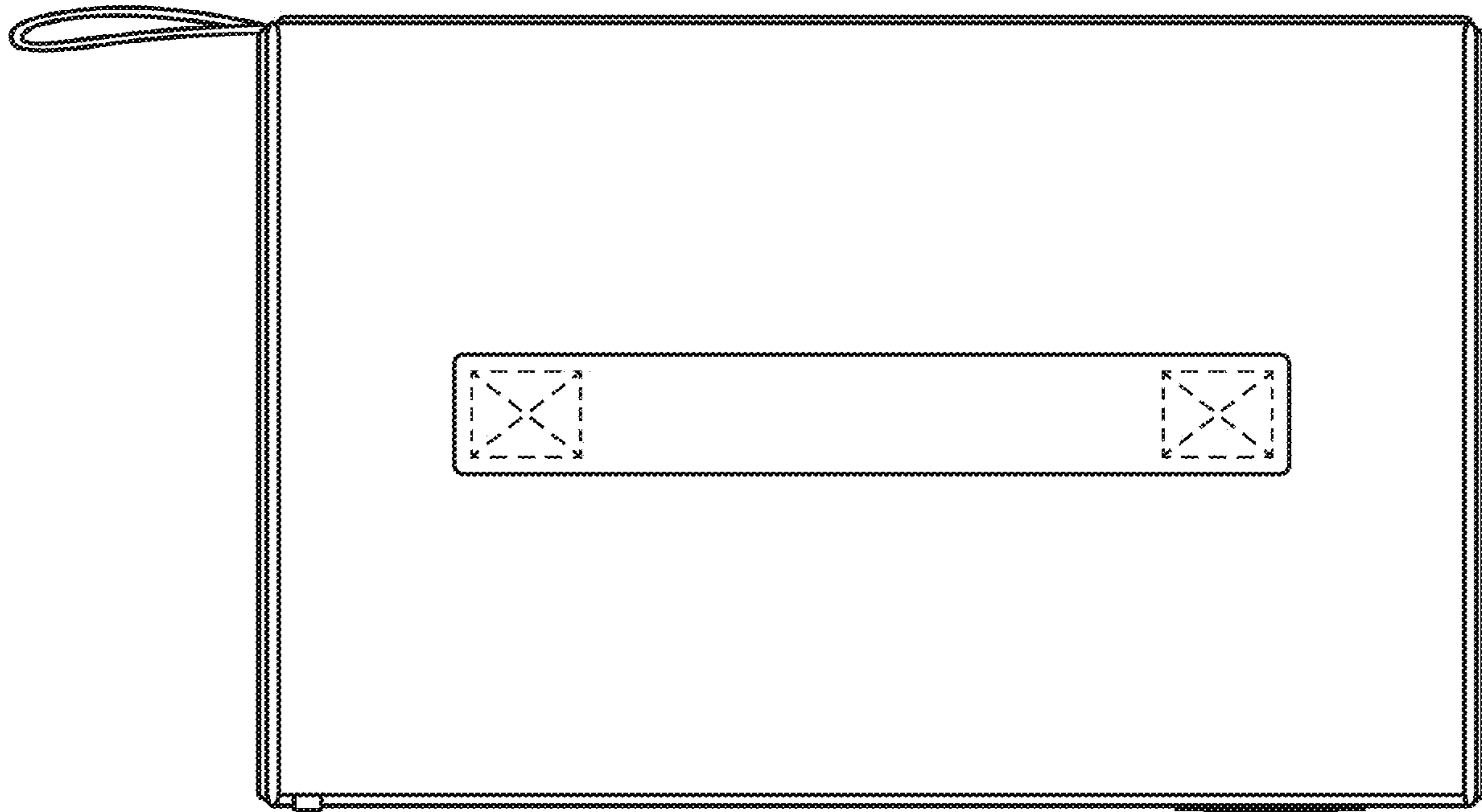


FIG. 6



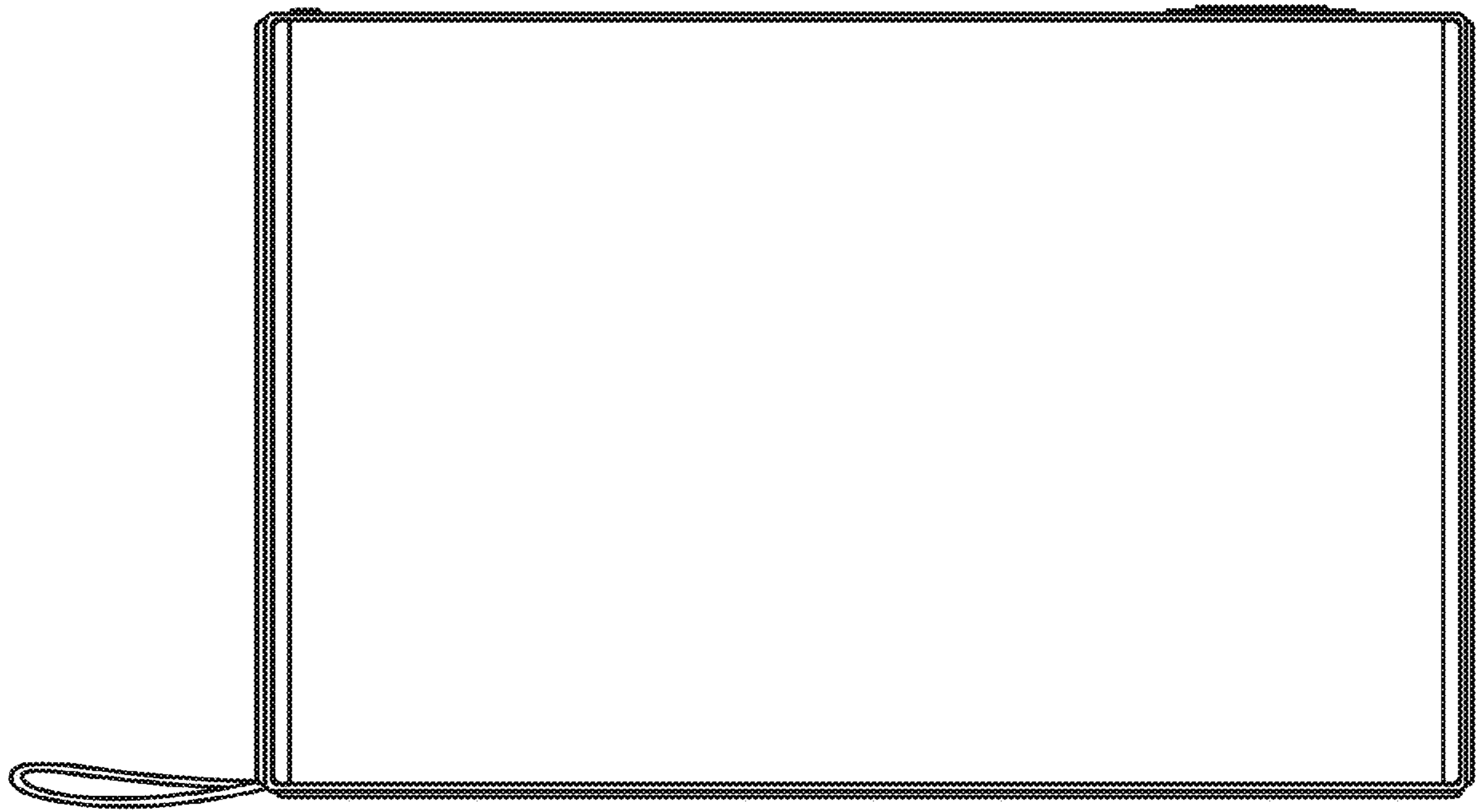


FIG. 7