



US00D919332S

(12) **United States Design Patent**  
**Witbeck**

(10) **Patent No.:** **US D919,332 S**

(45) **Date of Patent:** **\*\* May 18, 2021**

(54) **DUVET COVER**

(71) Applicant: **Matt Witbeck**, Savannah, GA (US)

(72) Inventor: **Matt Witbeck**, Savannah, GA (US)

(\*\*) Term: **15 Years**

(21) Appl. No.: **29/677,673**

(22) Filed: **Jan. 23, 2019**

(51) **LOC (13) Cl.** ..... **06-13**

(52) **U.S. Cl.**  
USPC ..... **D6/603**

(58) **Field of Classification Search**  
USPC ..... D6/582-583, 587-592, 595-609,  
D6/617-622; D21/803-809; D24/183  
CPC ..... A47G 9/00; A47G 2009/001; A47G  
2009/002; A47G 2009/003; A47G 9/10;  
A47G 9/1009; A47G 2009/1018; A47G  
9/1045; A47G 9/1081; A47G 9/109;  
A47G 9/0246; A47C 21/046; A47C  
21/028

See application file for complete search history.

(56) **References Cited**

**U.S. PATENT DOCUMENTS**

D739,119 S	*	9/2015	Tyler	.....	D2/719
D857,423 S	*	8/2019	Malouf	.....	D6/606
D861,376 S	*	10/2019	Malouf	.....	D6/603
D897,133 S	*	9/2020	Kleinman	.....	D6/603

2011/0314605	A1*	12/2011	Deguchi	.....	A47G 9/0261 5/501
2013/0152306	A1*	6/2013	Monaco	.....	A47G 9/0261 5/498
2020/0275790	A1*	9/2020	McMullin	.....	A47G 9/0207
2020/0323368	A1*	10/2020	Shook	.....	A47G 9/0207

\* cited by examiner

*Primary Examiner* — Jennifer L Rempfer  
(74) *Attorney, Agent, or Firm* — Mitchell Law PLLC;  
Matthew W. Mitchell

(57) **CLAIM**

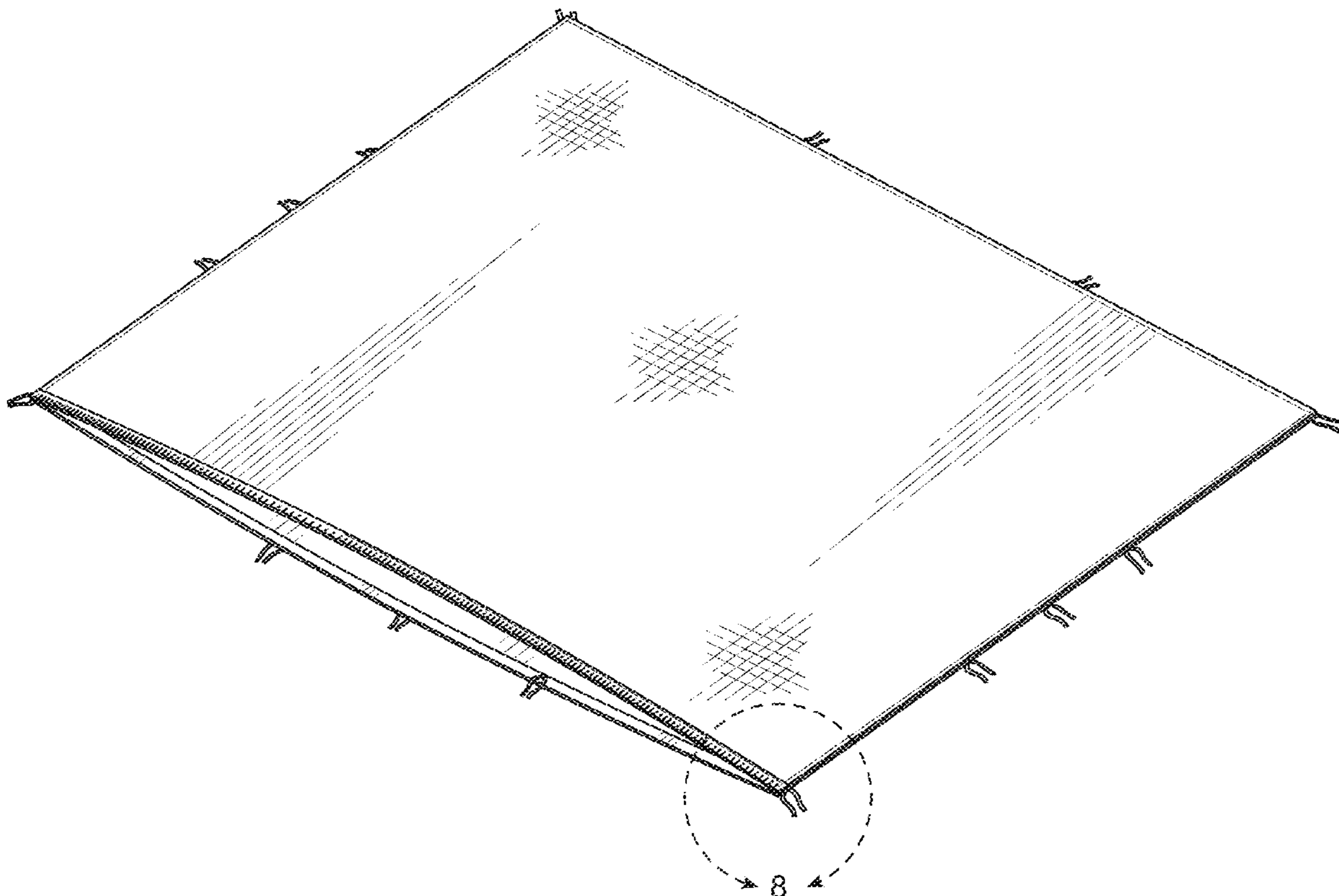
The ornamental design for a duvet cover, as shown and described.

**DESCRIPTION**

FIG. 1 is a front isometric view of the duvet cover of the present invention;  
FIG. 2 is a front view thereof;  
FIG. 3 is a rear view thereof;  
FIG. 4 is a right side view thereof;  
FIG. 5 is a left-side view thereof;  
FIG. 6 is a top plan view thereof; and  
FIG. 7 is a bottom plan view thereof; and  
FIG. 8 is a front isometric detail view of FIG. 1.

The broken lines shown around the perimeter represent stitching and form part of the claimed design. The cross hatching shown indicates a fabric material only and does not represent any particular color, texture, pattern, or finish of fabric.

**1 Claim, 8 Drawing Sheets**



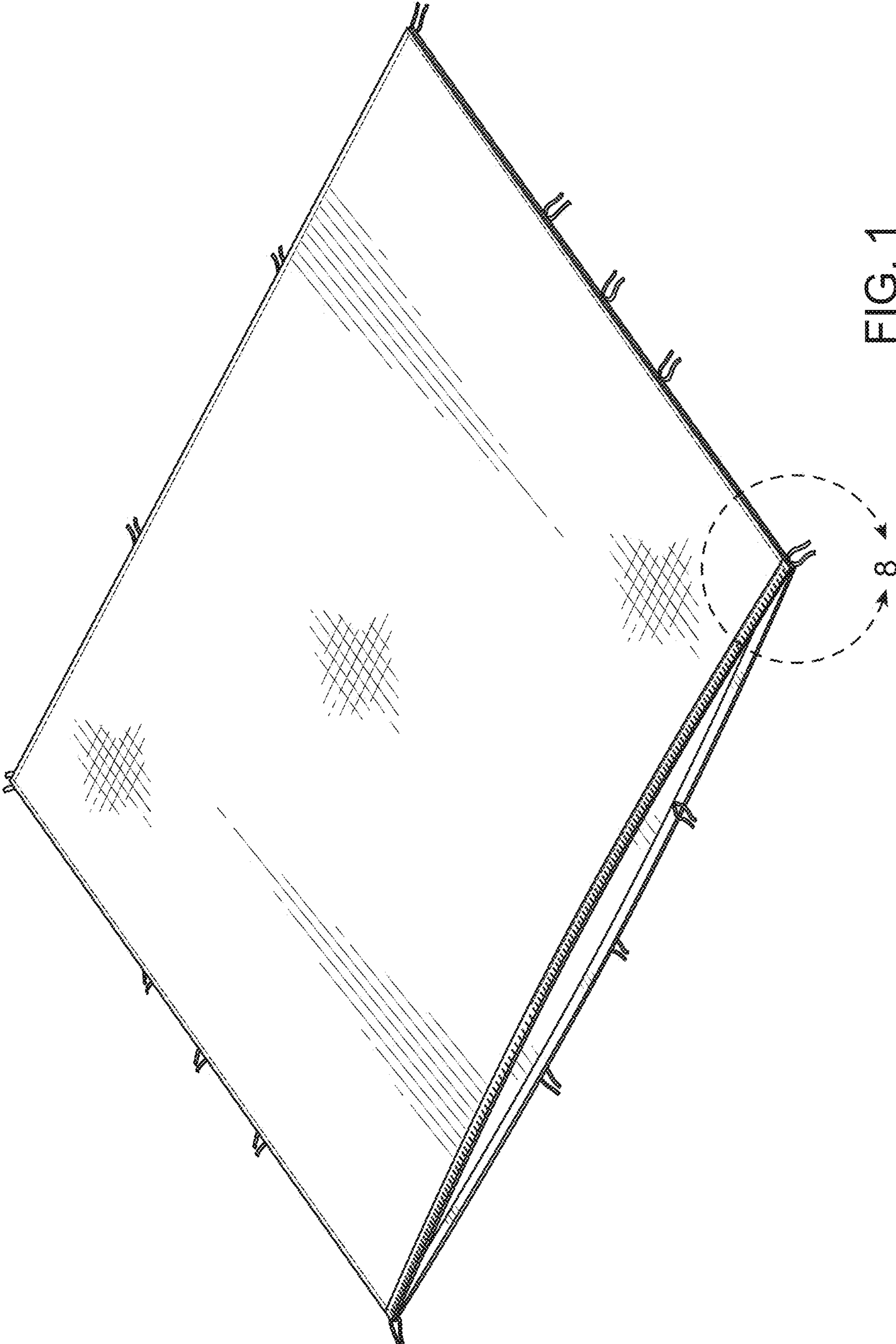


FIG. 1

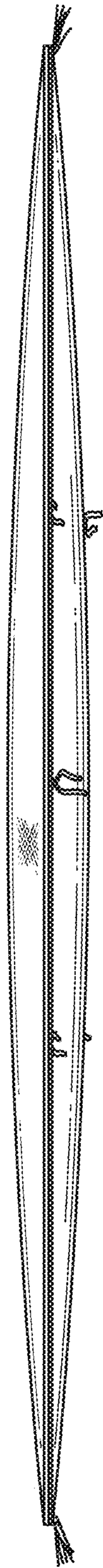


FIG. 2



FIG. 3

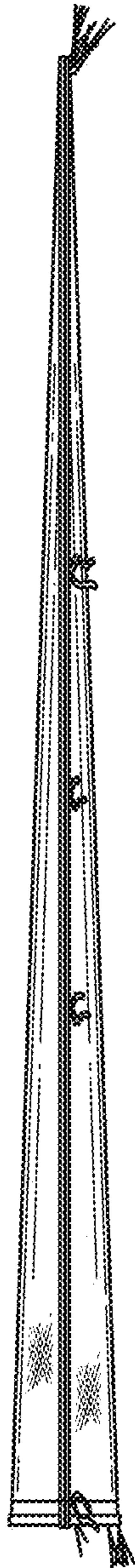


FIG. 4



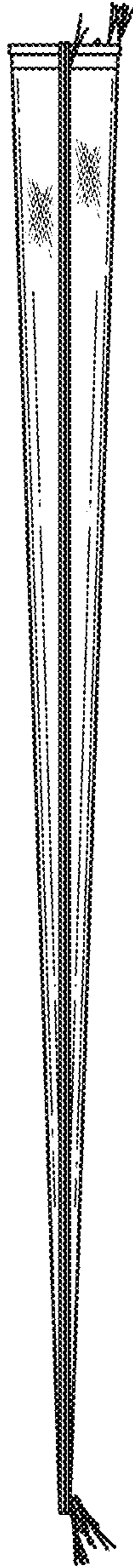
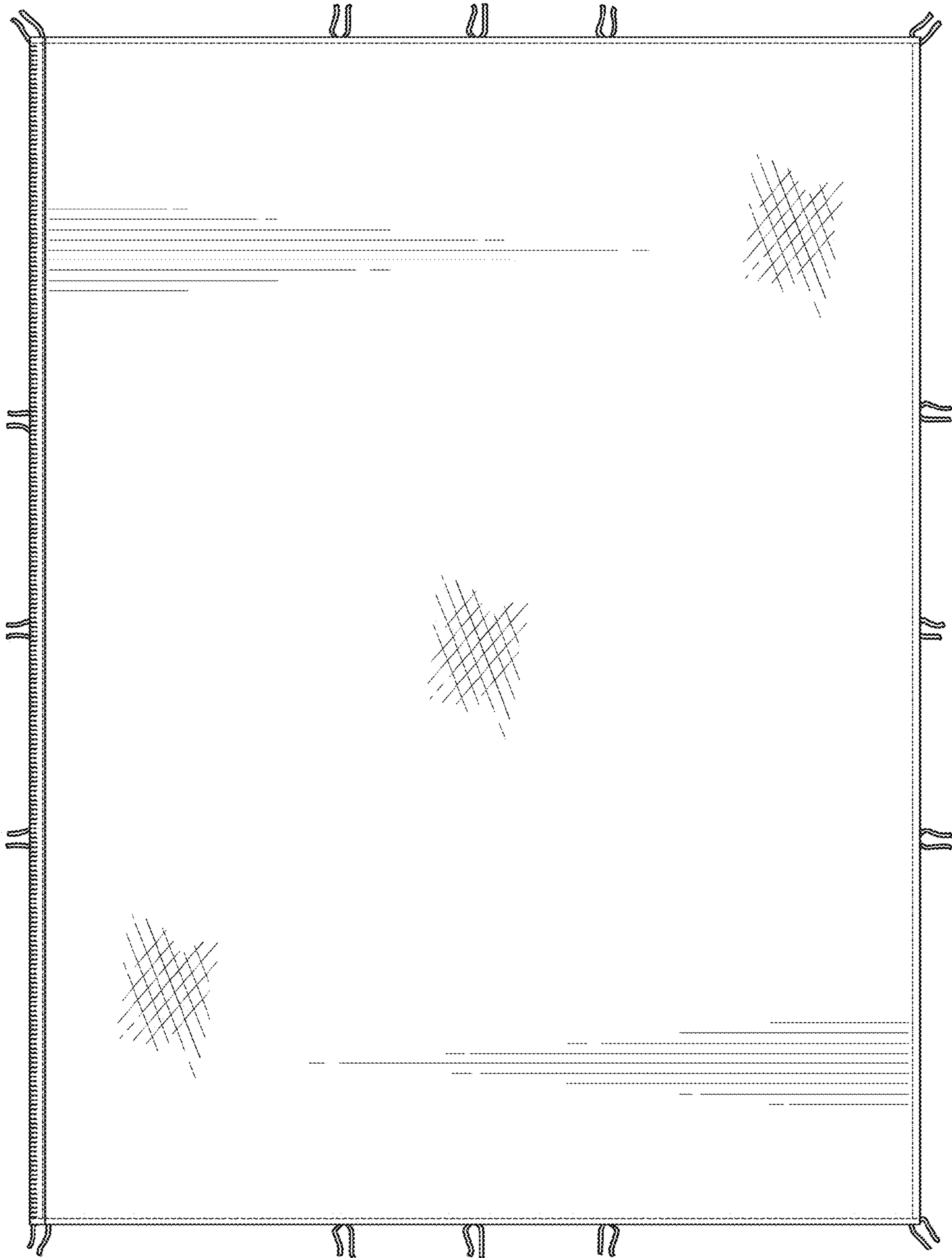


FIG. 5



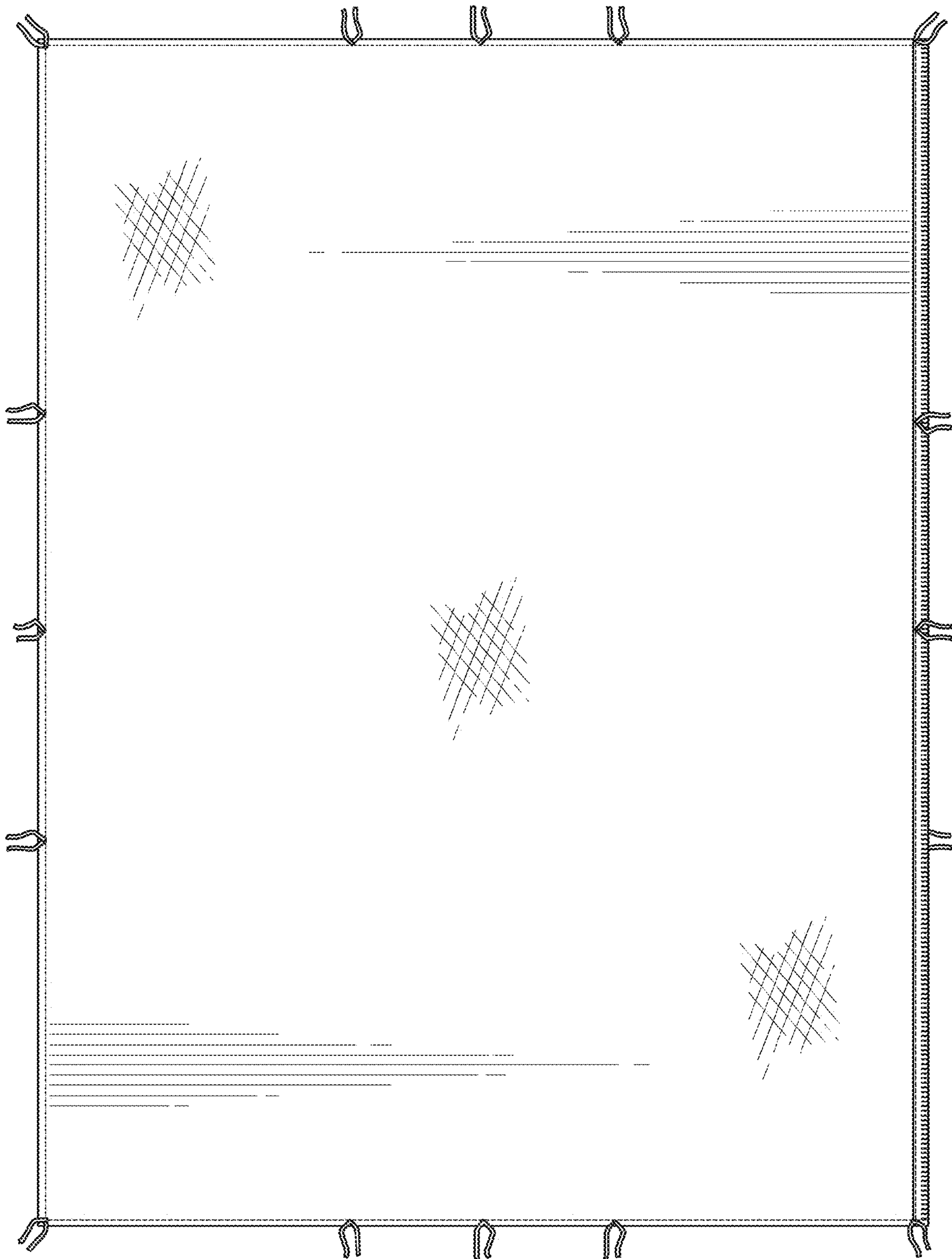


FIG. 7



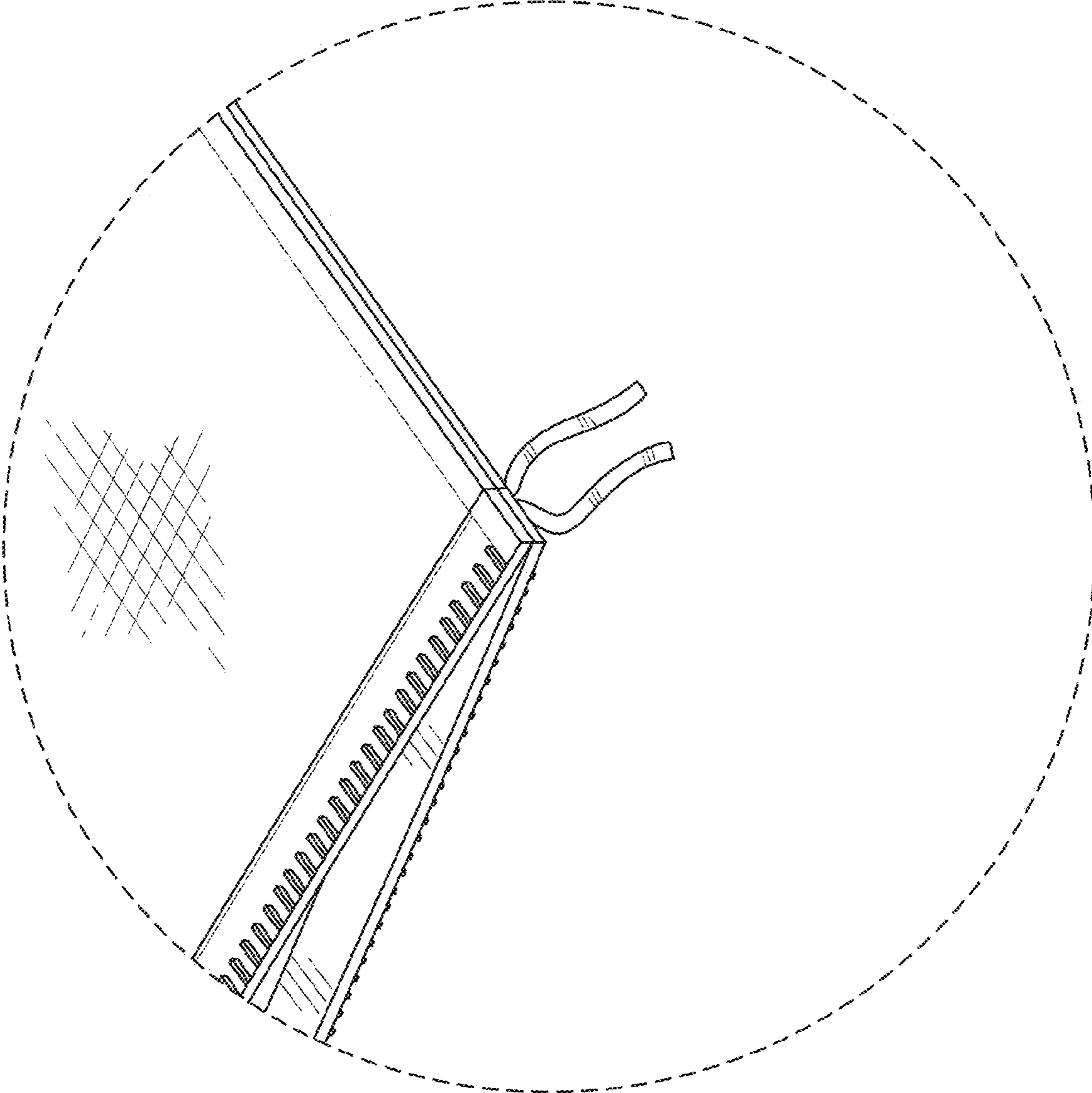


FIG. 8