



US00D919331S

(12) **United States Design Patent** (10) **Patent No.:** **US D919,331 S**  
**Feng** (45) **Date of Patent:** **\*\* May 18, 2021**

(54) **SEAT CUSHION**  
(71) Applicant: **Wencan Feng**, Guangdong (CN)  
(72) Inventor: **Wencan Feng**, Guangdong (CN)  
(\*\*) Term: **15 Years**  
(21) Appl. No.: **29/751,486**  
(22) Filed: **Sep. 22, 2020**  
(51) **LOC (13) Cl.** ..... **06-09**  
(52) **U.S. Cl.**  
USPC ..... **D6/601**  
(58) **Field of Classification Search**  
USPC ..... D6/595, 596, 597, 600, 601, 603, 604,  
D6/605, 606, 608; D24/183, 185, 234;  
D21/803, 804, 805, 809  
CPC ..... A47G 2009/1018; A47G 2009/003; A47G  
9/0253; A47G 9/10; A47G 9/1027; A47G  
9/1036; A47G 9/1054; A47G 9/1063;  
A47G 9/1072; A47G 9/1081; A47G  
9/109; A45F 4/06; A47C 21/06; A47C  
7/18; A47C 20/00; A47C 17/80; A47C  
17/82; A47C 17/64; A47C 27/00; A47C  
27/14; A47C 23/00  
See application file for complete search history.

(56) **References Cited**  
**U.S. PATENT DOCUMENTS**  
D123,573 S \* 11/1940 Rideout ..... D6/716.1  
3,312,987 A \* 4/1967 Emery ..... A47G 9/1054  
5/644  
3,667,074 A \* 6/1972 Emery ..... A47G 9/109  
5/636  
D294,900 S \* 3/1988 Willingham ..... D6/596  
5,813,065 A \* 9/1998 Tinhorn ..... A47G 9/10  
5/636  
D446,032 S \* 8/2001 Arcieri ..... D6/354  
D622,973 S \* 9/2010 Toll ..... B62J 1/002  
D6/354

D634,959 S 3/2011 McNaughton  
D642,846 S \* 8/2011 Parish ..... D6/601  
D658,396 S \* 5/2012 Sprouse, II ..... D6/354  
D698,586 S \* 2/2014 Davis ..... D6/601  
D711,173 S \* 8/2014 Liao ..... D6/716.1  
D722,449 S \* 2/2015 Krishtul  
D755,543 S \* 5/2016 Upadhyay ..... D6/601  
9,332,850 B2 \* 5/2016 Krishtul ..... A47C 7/021  
D764,822 S \* 8/2016 Toll ..... D6/354  
D771,975 S 11/2016 Goldfarb Pelletier  
D774,791 S \* 12/2016 Toll ..... D6/354  
D775,862 S 1/2017 Chen  
D802,949 S \* 11/2017 Toll ..... D6/354  
D803,594 S \* 11/2017 Toll ..... D6/354  
D805,323 S \* 12/2017 Chan ..... D6/601  
D812,931 S \* 3/2018 Chen ..... D6/601  
D815,294 S 4/2018 Bartolotta  
(Continued)

**OTHER PUBLICATIONS**

100% memory foam Seat cushion, earliest review dated Sep. 5, 2020 [online], [site visited Mar. 12, 2021], Available from Internet, (Year: 2021).\*  
(Continued)

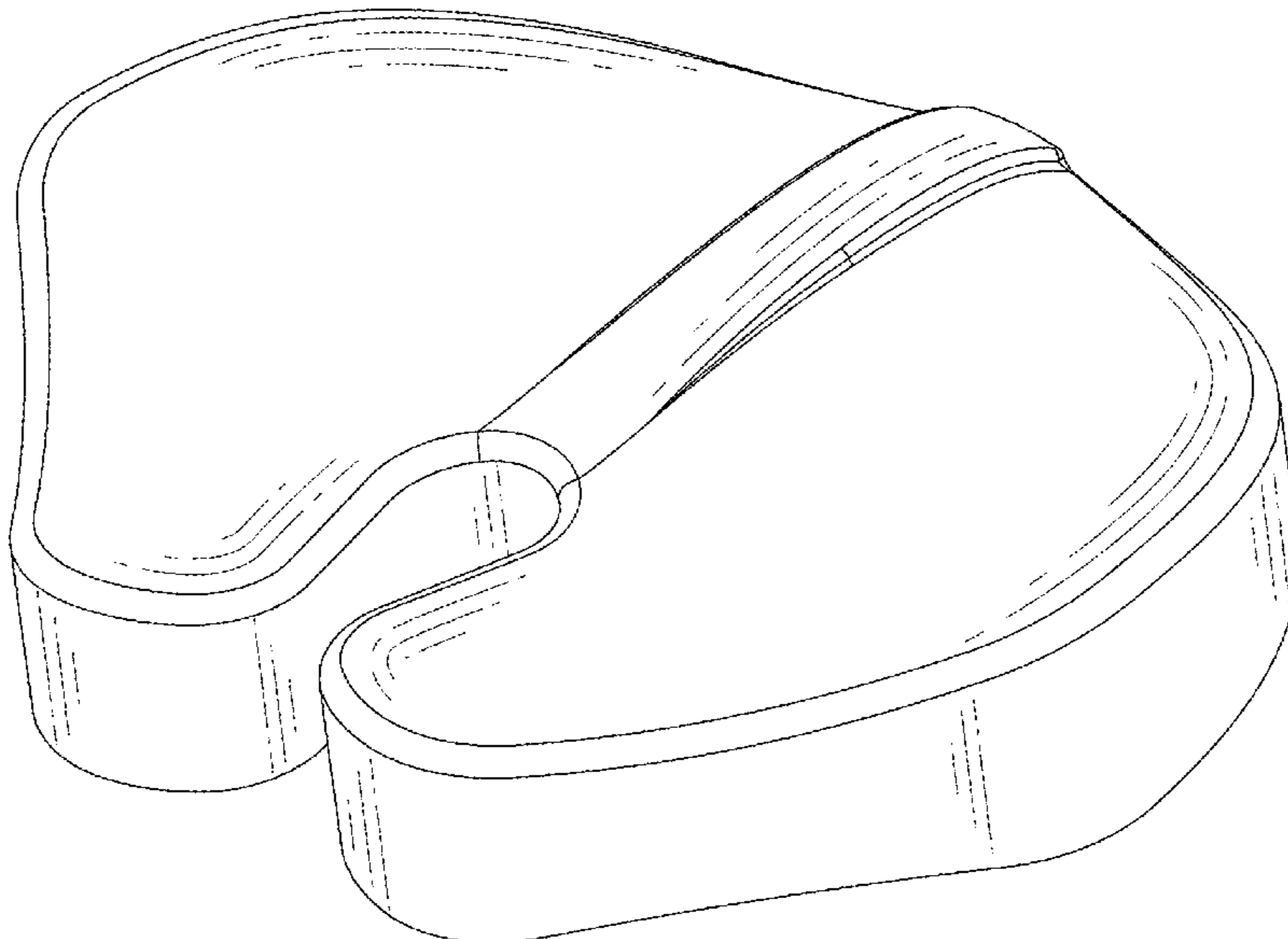
*Primary Examiner* — Sanjeev Paul

(57) **CLAIM**  
The ornamental design for a seat cushion, as shown and described.

**DESCRIPTION**

FIG. 1 is a perspective view of a seat cushion showing my new design;  
FIG. 2 is a front elevational view thereof;  
FIG. 3 is a rear elevational view thereof;  
FIG. 4 is a left side elevational view thereof;  
FIG. 5 is a right side elevational view thereof;  
FIG. 6 is a top plan view thereof; and,  
FIG. 7 is a bottom plan view thereof.

**1 Claim, 7 Drawing Sheets**



(56)

References Cited

U.S. PATENT DOCUMENTS

D836,363 S \* 12/2018 Cornelius ..... D6/601  
 D843,134 S \* 3/2019 Goddard ..... D6/601  
 D848,765 S \* 5/2019 Chen ..... D6/601  
 D850,818 S \* 6/2019 Xiang ..... D6/601  
 D851,259 S \* 6/2019 Mitchell ..... D24/183  
 D854,353 S \* 7/2019 Xiang ..... D6/596  
 D856,013 S \* 8/2019 Jalkanen ..... D6/354  
 D856,014 S \* 8/2019 Jalkanen ..... D6/354  
 D863,822 S \* 10/2019 Chen ..... D6/601  
 D868,501 S \* 12/2019 Mi ..... D6/601  
 D875,435 S \* 2/2020 Vertuca, III ..... D6/601  
 D878,108 S \* 3/2020 Wang ..... D6/601  
 D880,194 S \* 4/2020 Chen ..... D6/601  
 D885,085 S \* 5/2020 Dowd ..... D6/601  
 D885,793 S \* 6/2020 Wang ..... D6/601  
 D886,494 S \* 6/2020 Liu ..... D6/601  
 D889,862 S \* 7/2020 Toll ..... D6/354  
 D894,656 S \* 9/2020 Tomskey ..... D6/716.6  
 D896,551 S \* 9/2020 Terndrup ..... D6/601  
 D898,425 S \* 10/2020 Yang ..... D6/601  
 D898,428 S \* 10/2020 Huang ..... D6/601  
 D898,437 S \* 10/2020 Yan ..... D6/601  
 D904,049 S \* 12/2020 Toll ..... D6/354  
 D904,075 S \* 12/2020 Krishtul ..... D6/601  
 D907,400 S \* 1/2021 Federl ..... D6/601  
 D908,391 S \* 1/2021 Yang ..... D6/601  
 2002/0050007 A1 \* 5/2002 Kim ..... A47G 9/10  
 5/636  
 2003/0034678 A1 \* 2/2003 Farre ..... A47C 7/029  
 297/195.11  
 2003/0067195 A1 \* 4/2003 Sylvester ..... B62J 1/04  
 297/201  
 2007/0102970 A1 \* 5/2007 Wallace ..... B62J 1/007  
 297/215.1  
 2009/0211031 A1 \* 8/2009 Kloes ..... A47G 9/10  
 5/640  
 2009/0307846 A1 \* 12/2009 Eura ..... A47G 9/10  
 5/636

2012/0086246 A1 \* 4/2012 Belliveau ..... B62J 1/04  
 297/201  
 2013/0198961 A1 \* 8/2013 Davis ..... A47C 7/021  
 5/648  
 2015/0097401 A1 \* 4/2015 Toll ..... B62J 1/08  
 297/214  
 2015/0239515 A1 \* 8/2015 Toll ..... B62J 1/007  
 297/214  
 2018/0317677 A1 \* 11/2018 Genao ..... H04R 1/028

OTHER PUBLICATIONS

[Item U continued]: <URL: [https://www.amazon.com/Memory-Cushion-Chair-Coccyx-Cushion-Orthopedic-Tailbone/dp/B082SQCF54/ref=sr\\_1\\_156?crd=1LLTYWHCWY9KQ&dchild=1&keywords=seat%2Bcushion&qid=1615672538&sprefix=seat%2B%2Caps%2C192&sr=8-156&th=1](https://www.amazon.com/Memory-Cushion-Chair-Coccyx-Cushion-Orthopedic-Tailbone/dp/B082SQCF54/ref=sr_1_156?crd=1LLTYWHCWY9KQ&dchild=1&keywords=seat%2Bcushion&qid=1615672538&sprefix=seat%2B%2Caps%2C192&sr=8-156&th=1)> (Year: 2021).\*  
 Paddle Dynamics: seat pad for Kayaks, earliest dated unknown [online], [site visited Mar. 12, 2021], Available from Internet, <URL: <https://www.paddledynamics.com/NEW-Epic-seat-pad-p/esp.htm>> (Year: 2021).\*  
 Padz: seat pad for Kayaks, earliest review date Mar. 25, 2012 unknown [online], [site visited Mar. 12, 2021], Available from Internet, <URL: <https://www.nrs.com/product/2048/padz-kayak-seat-pad>> (Year: 2021).\*  
 Google search: “bike seat cushion” [site visited Mar. 13, 2021]: <https://www.google.com/search?q=bike+seat+cushion&sxsrf=ALeKk00HRT9GO1u933RYIjJqGDrN0edcQ:1615673154653&source=lnms&tbm=isch&biw=1200&bih=1777> (Year: 2021).\*  
 Google search: “seat cushion” [site visited Mar. 13, 2021]: <https://www.google.com/search?q=seat+cushion&sxsrf=ALeKk00Oh2QJI7huHWsgsv7CrFe6il8RUA:1615672877064&source=lnms&tbm=isch&biw=1200&bih=1777> (Year: 2021).\*  
 Google search: “seat pad” [site visited Mar. 13, 2021]: <https://www.google.com/search?q=seat+pad&hl=en&sxsrf=ALeKk01CreDjpyeysRE1mjs5TiEoDMvhtA:1615676079860&source=lnms&tbm=isch&biw=1200&bih=1777> (Year: 2021).\*

\* cited by examiner

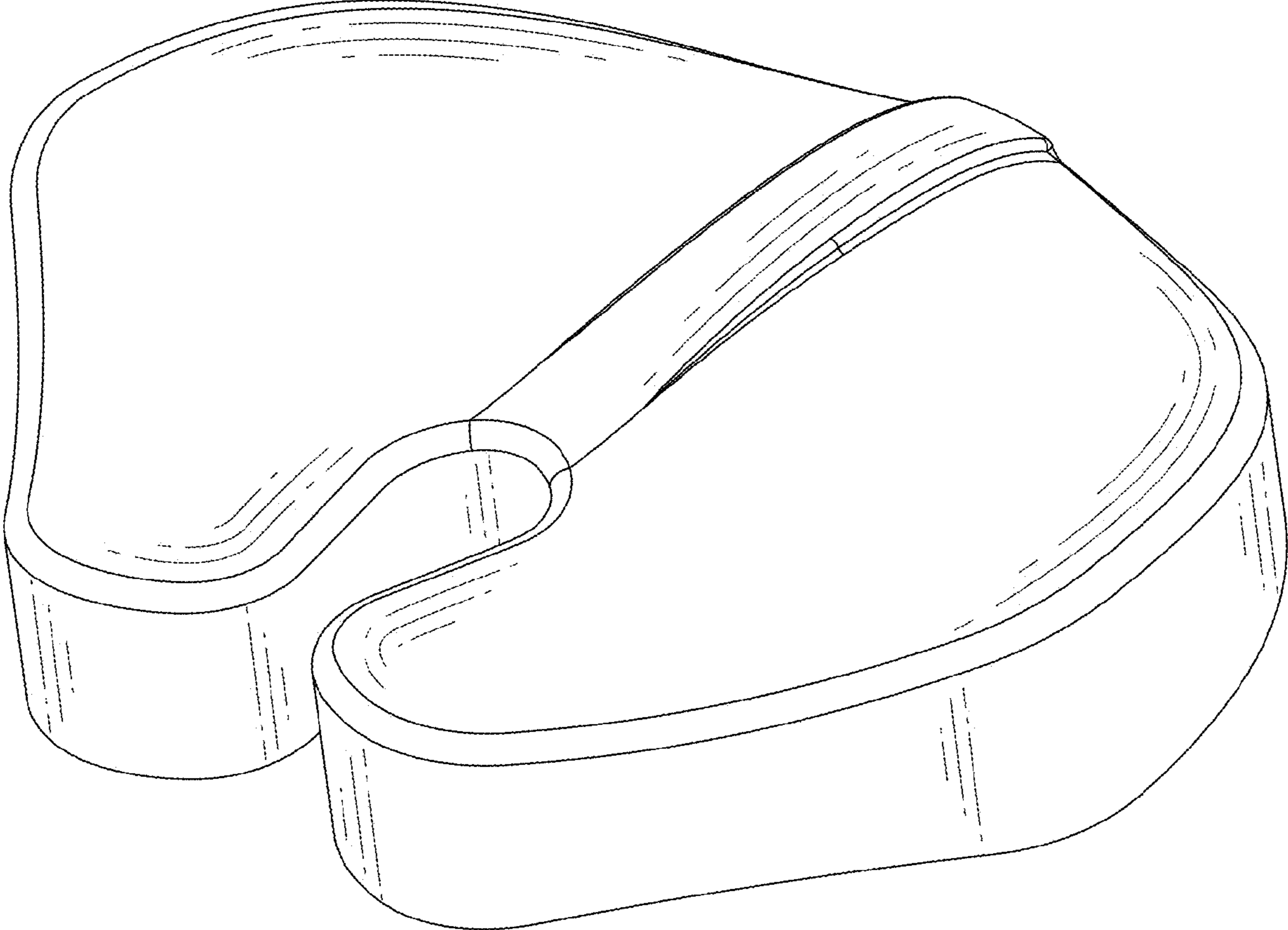


FIG.1

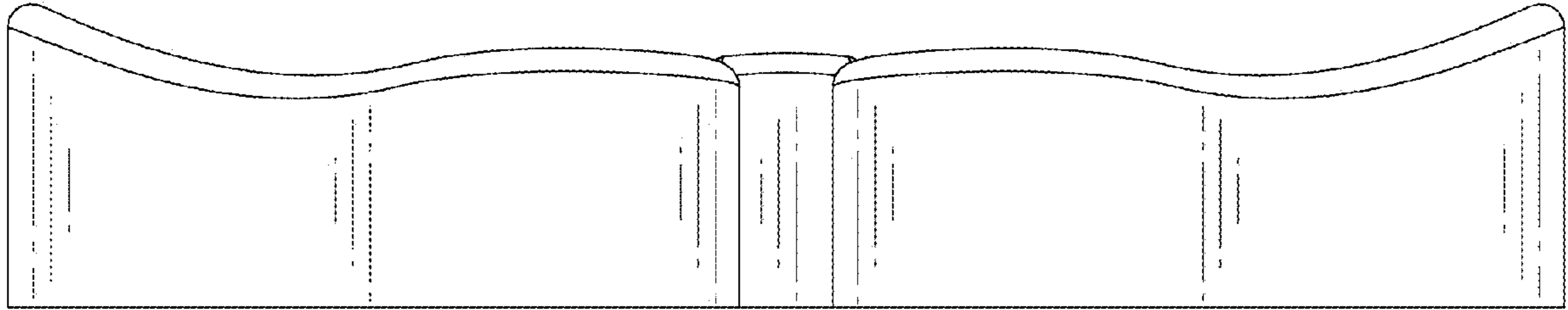


FIG.2



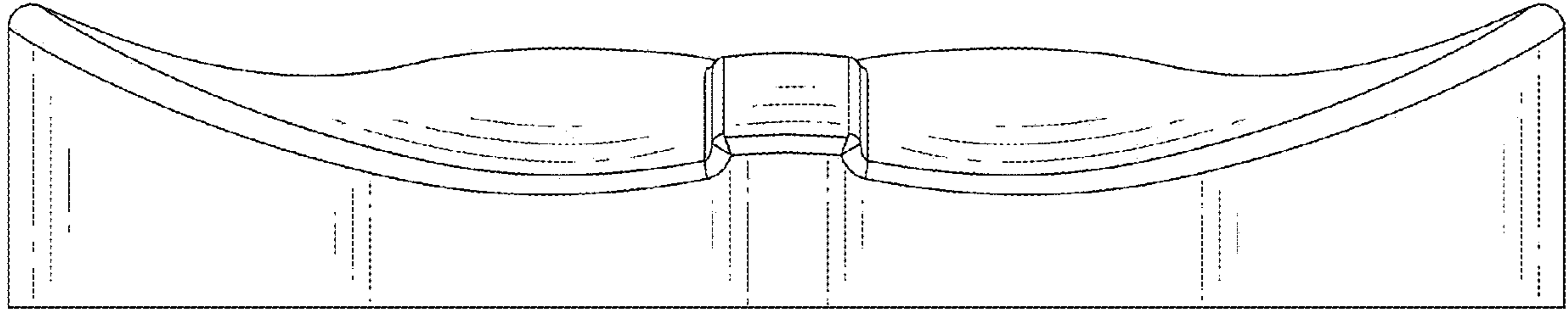


FIG.3

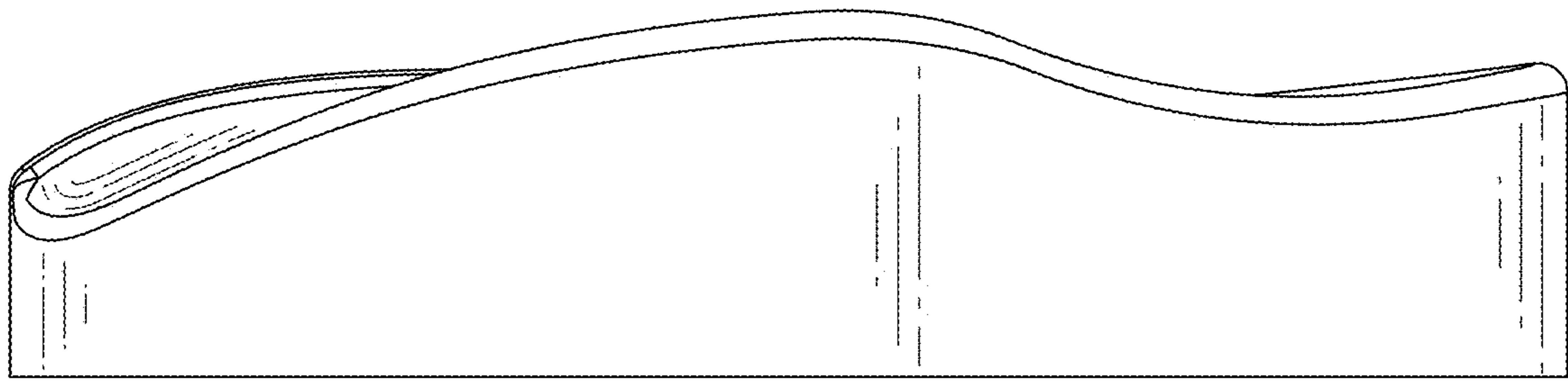


FIG.4

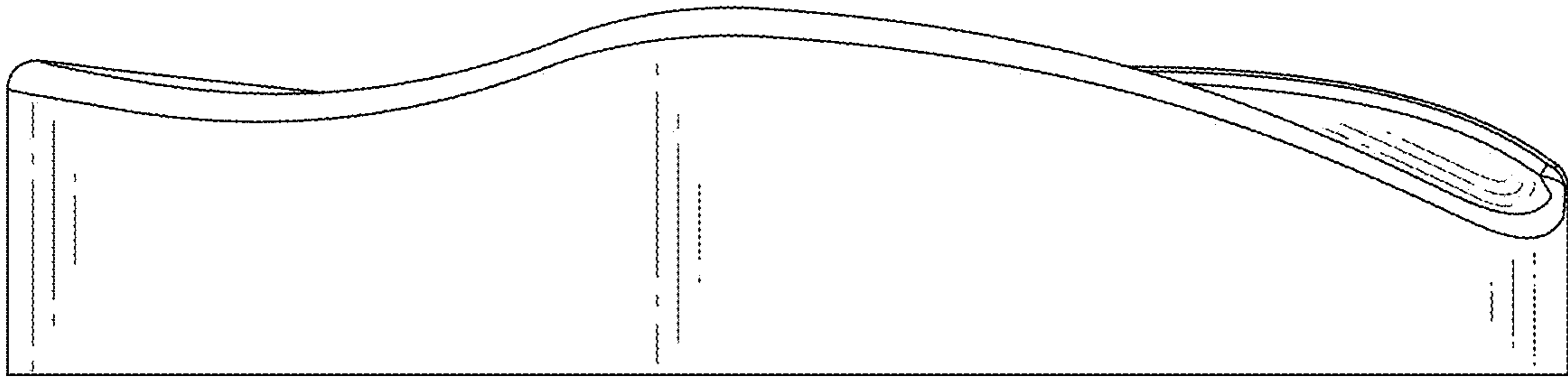


FIG.5

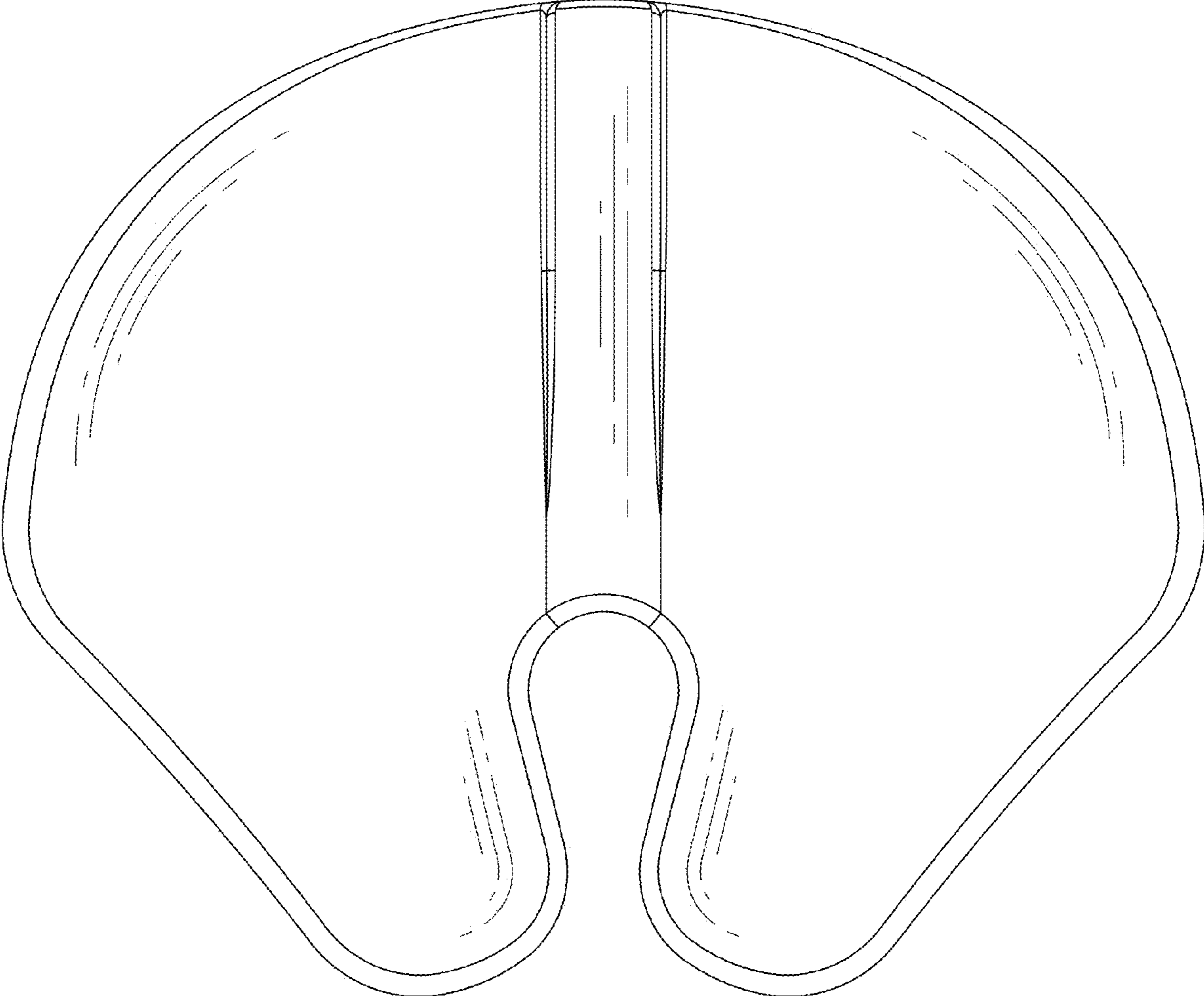


FIG.6



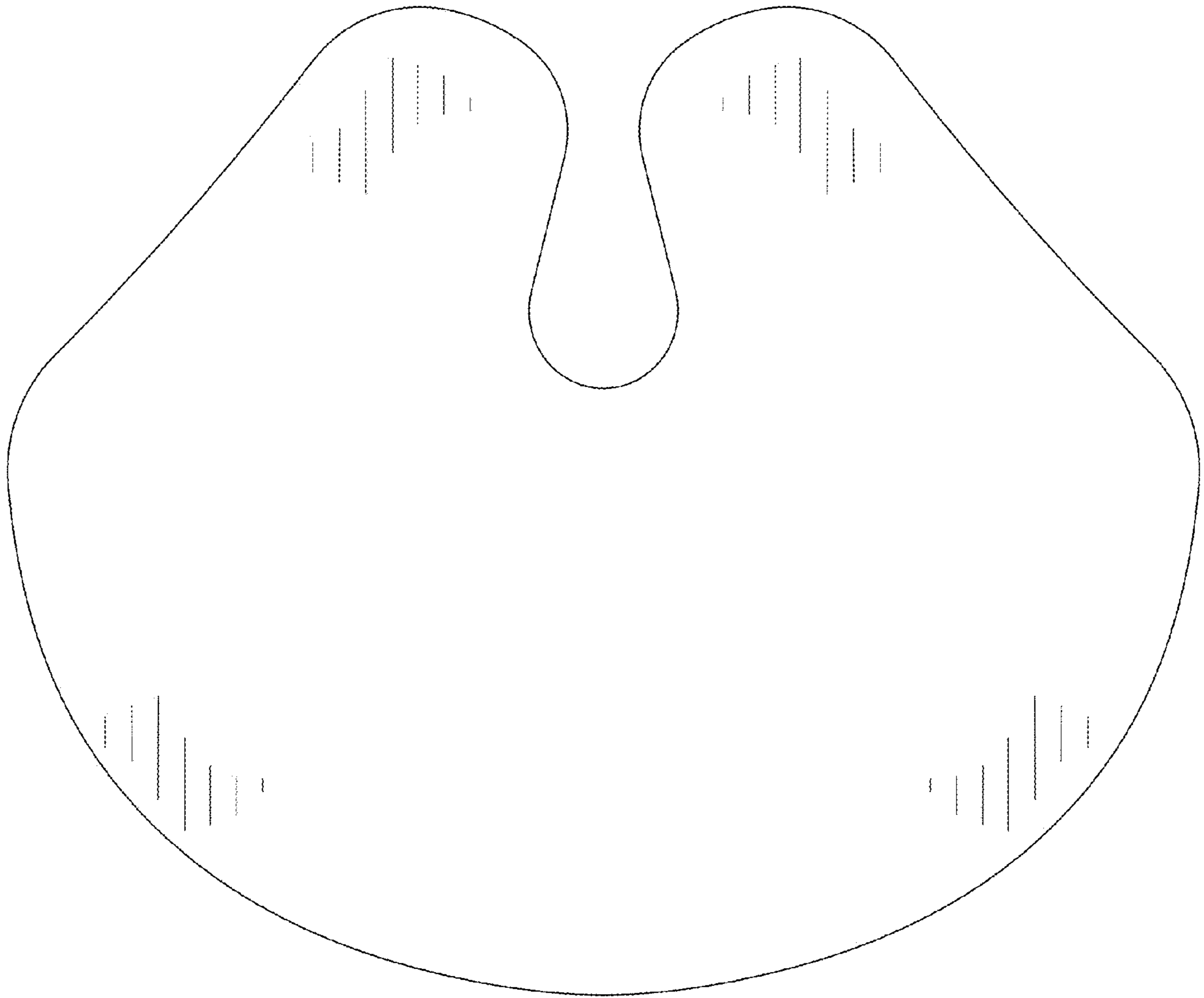


FIG.7