



US00D919326S

(12) **United States Design Patent**  
**Wang**

(10) **Patent No.:** **US D919,326 S**

(45) **Date of Patent:** **\*\* May 18, 2021**

(54) **FLOATING SHELF**

(71) Applicant: **Xuzhong Wang**, Shenzhen (CN)

(72) Inventor: **Xuzhong Wang**, Shenzhen (CN)

(73) Assignee: **Shenzhen Liyijiujiu Network Technology Co., Ltd.**, Shenzhen (CN)

(\*\*) Term: **15 Years**

(21) Appl. No.: **29/703,178**

(22) Filed: **Aug. 26, 2019**

(51) **LOC (13) Cl.** ..... **06-04**

(52) **U.S. Cl.**  
USPC ..... **D6/574**

(58) **Field of Classification Search**  
USPC ..... D6/574, 320-324, 572, 612, 618, 641, D6/685, 694, 553, 570, 571, 705, 706; D7/698; 108/28-29, 152; 211/13.1, 42, 211/86.01, 88.01, 90.01, 90.03, 126.1, 211/134, 153, 187; 248/205.3, 235, 243, 248/247, 250, 242; 206/557  
CPC ..... A47B 43/00; A47B 43/04; A47B 47/0066; A47B 47/04; A47B 63/00; A47B 69/00; A47B 71/00

See application file for complete search history.

(56) **References Cited**

U.S. PATENT DOCUMENTS

D88,720 S \* 12/1932 Wiepert ..... D6/572  
D260,832 S \* 9/1981 Verdesca ..... D12/425  
D293,404 S \* 12/1987 Murphy ..... D6/567  
D878,102 S \* 3/2020 Carr ..... D6/574  
2020/0315129 A1 \* 10/2020 Kumetz ..... A01K 15/024

\* cited by examiner

*Primary Examiner* — Mark Booker

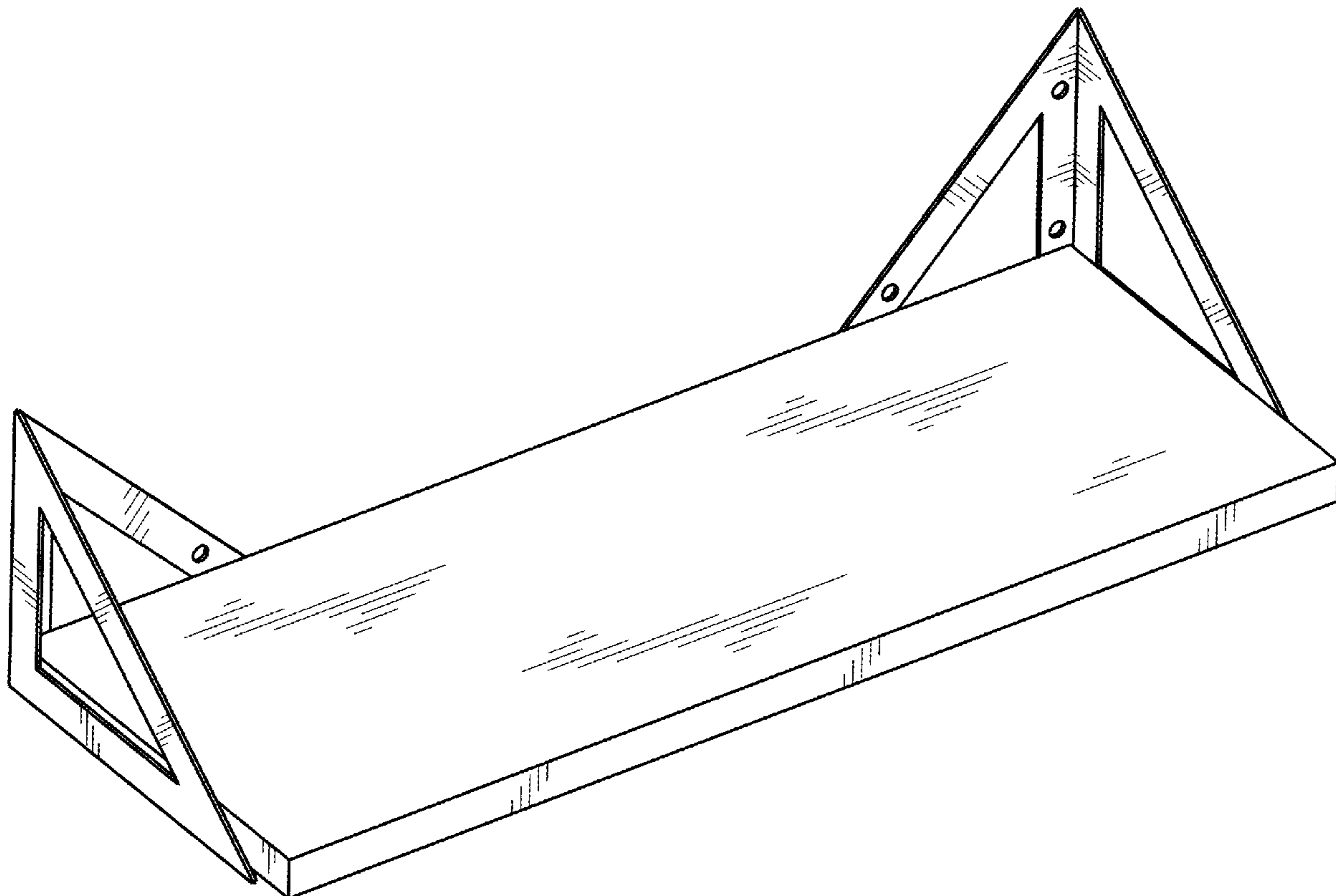
(57) **CLAIM**

The ornamental design for a floating shelf, as shown and described.

**DESCRIPTION**

FIG. 1 is a front perspective view of the floating shelf showing my new design;  
FIG. 2 is a rear perspective view thereof;  
FIG. 3 is a front elevational view thereof;  
FIG. 4 is a rear elevational view thereof;  
FIG. 5 is a left side elevational view thereof;  
FIG. 6 is a right side elevational view thereof;  
FIG. 7 is a top plan view thereof; and,  
FIG. 8 is a bottom plan view thereof.

**1 Claim, 8 Drawing Sheets**



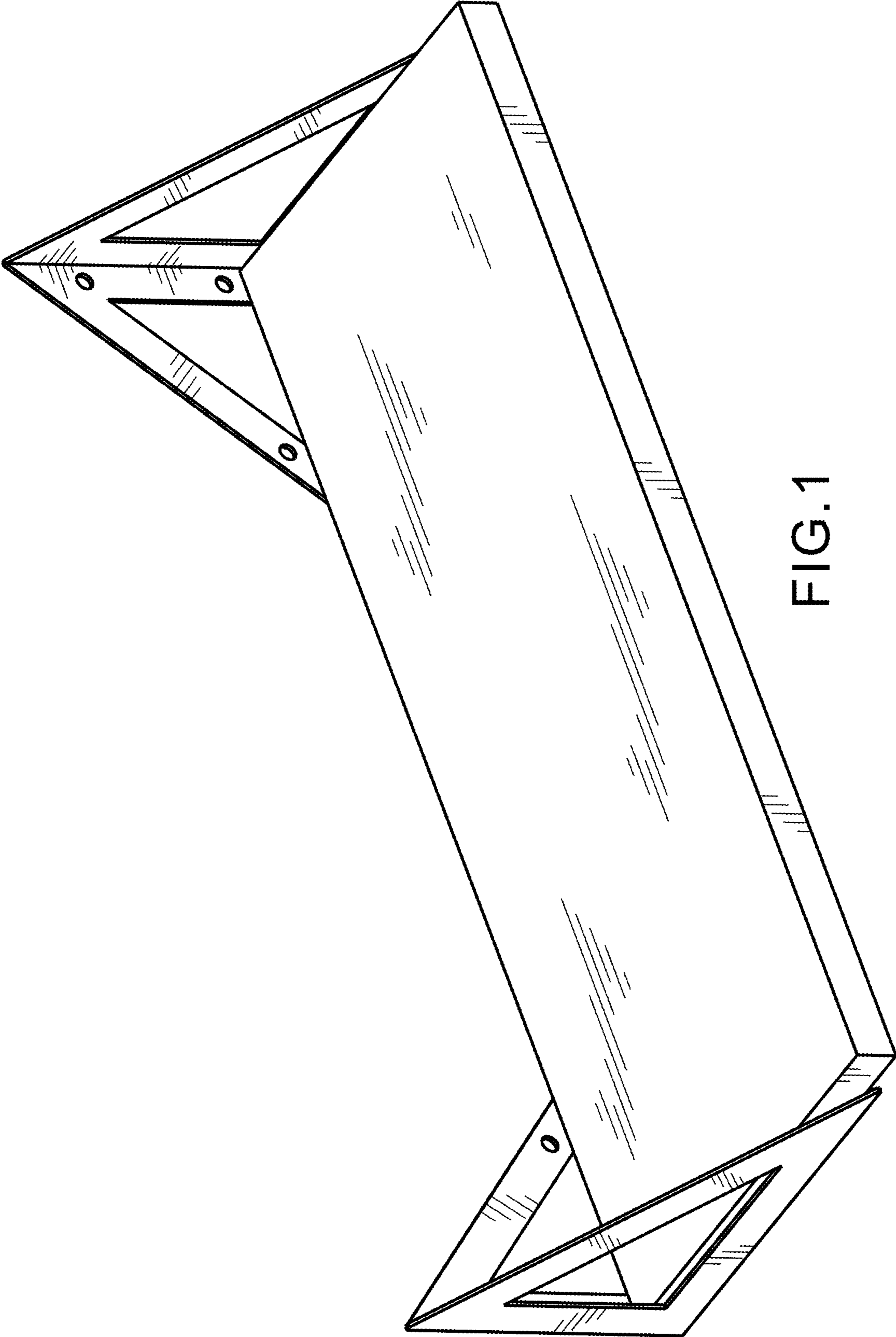


FIG.1

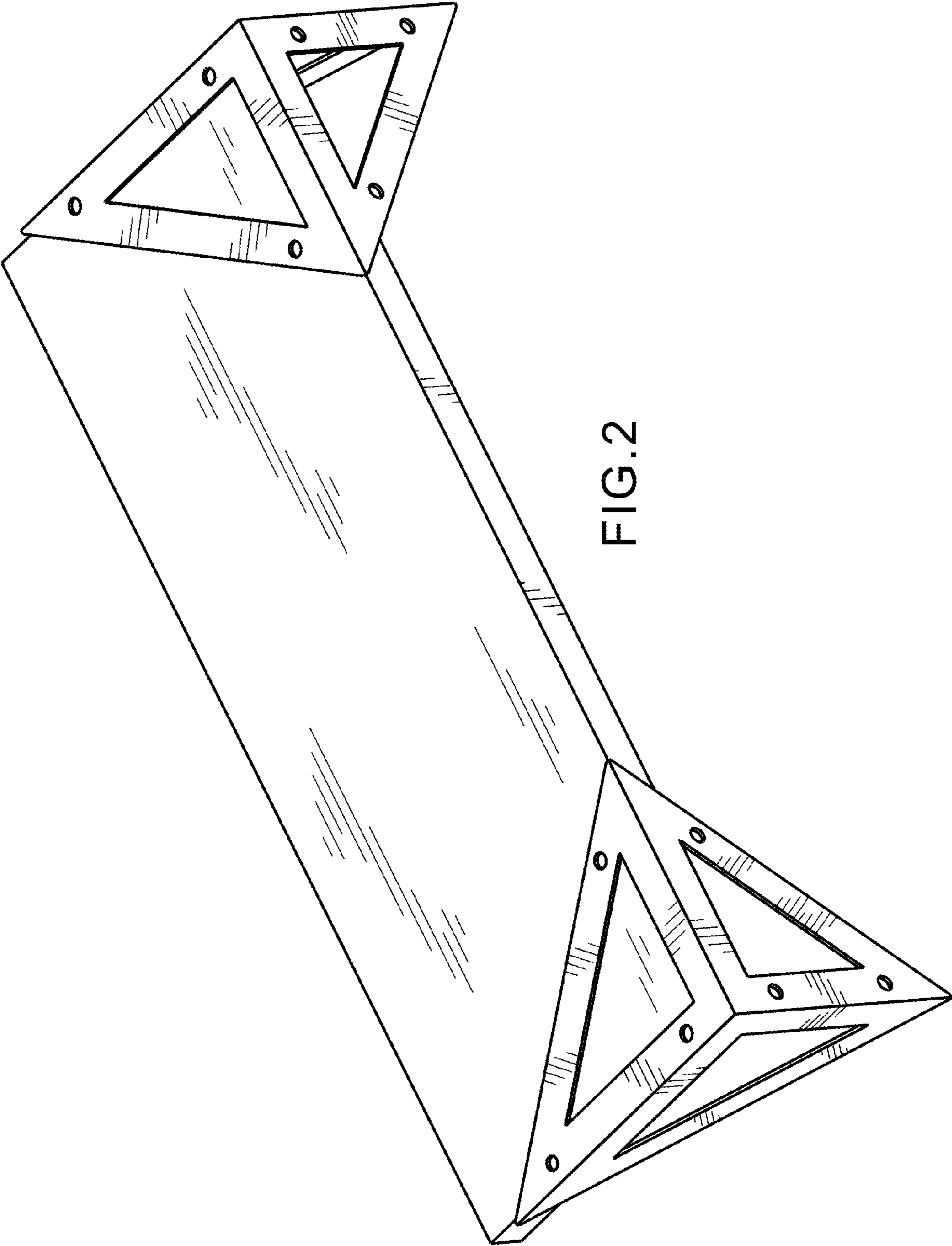




FIG. 3

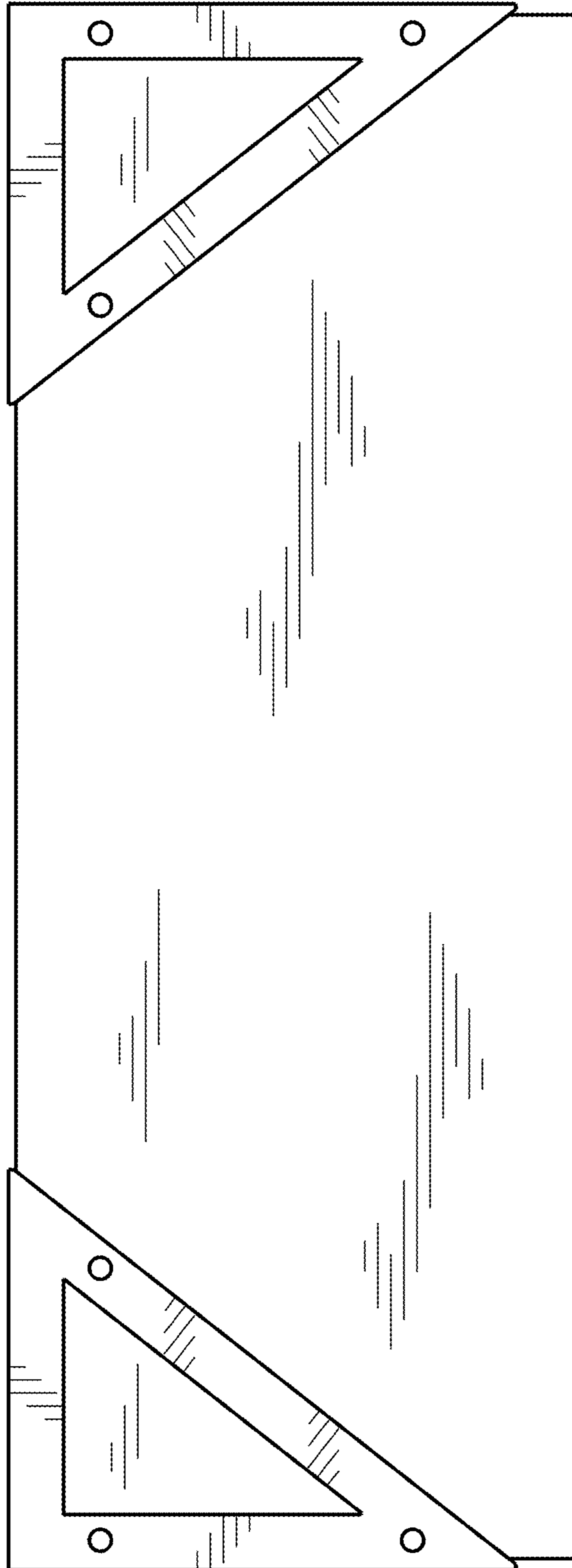


FIG.4

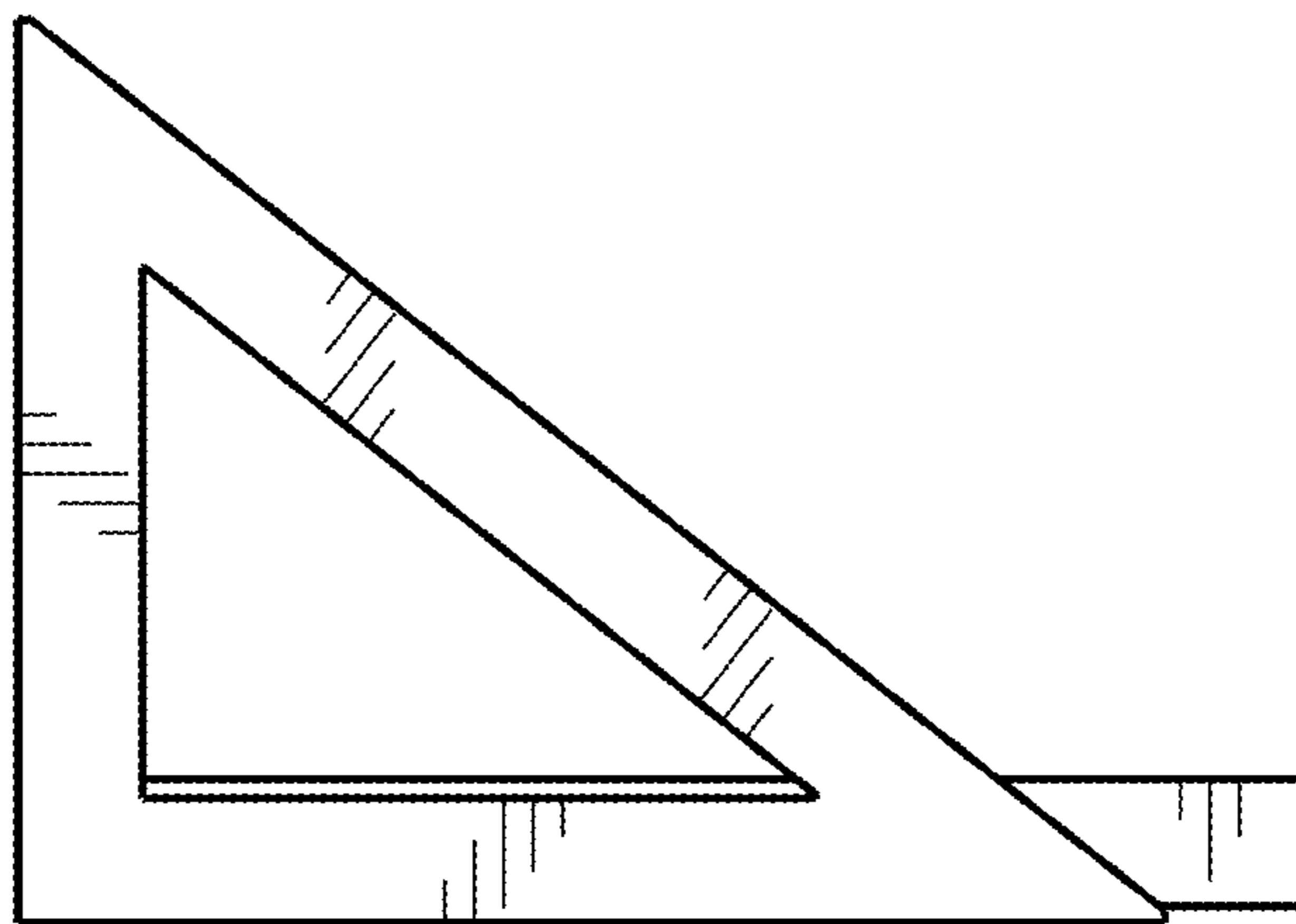


FIG.5

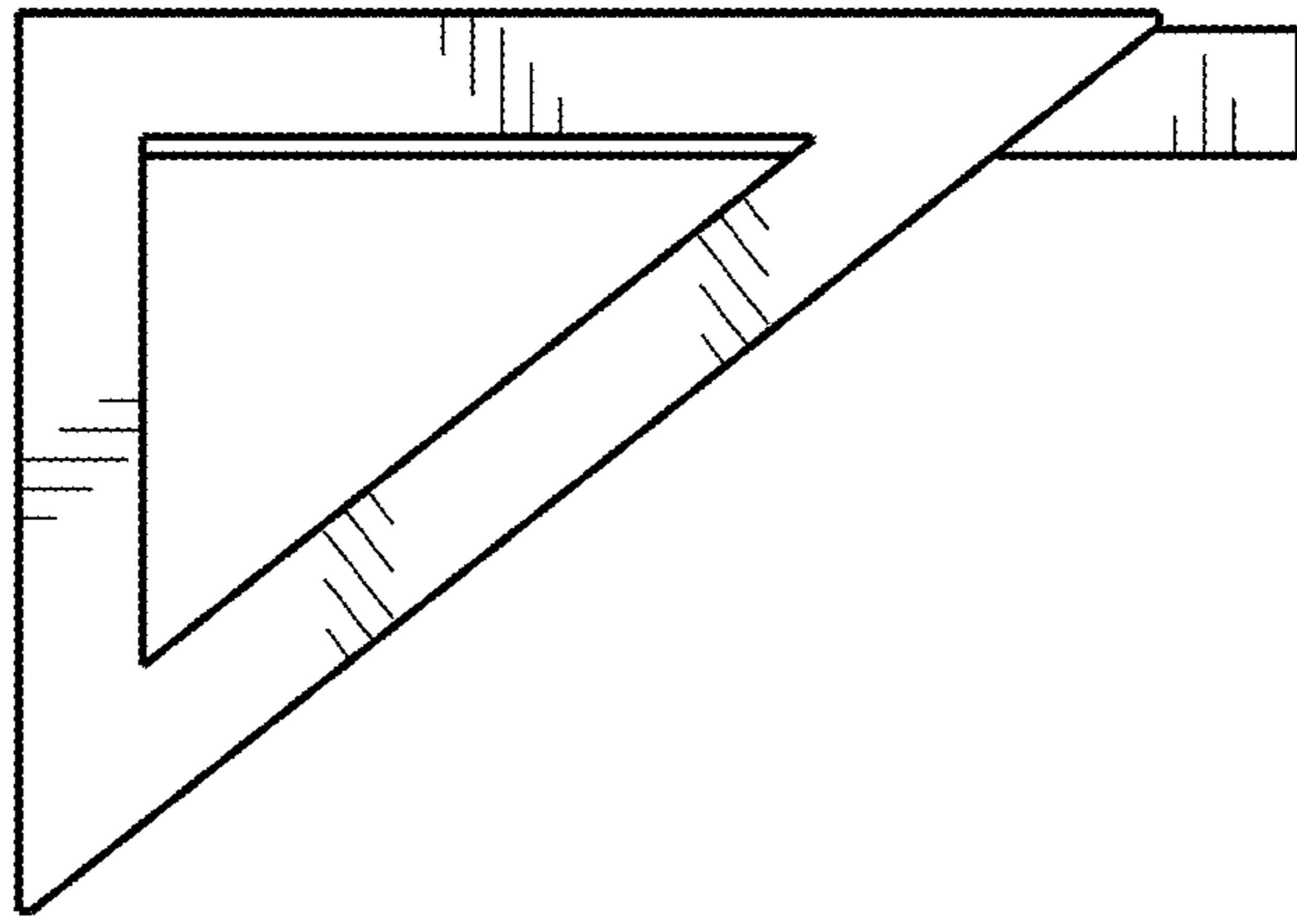


FIG. 6

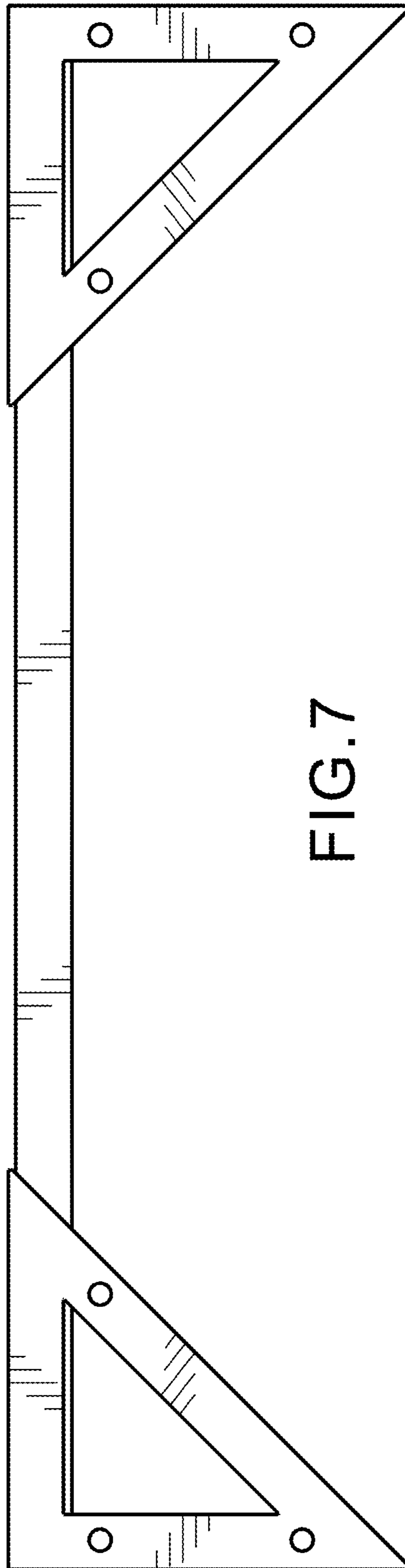


FIG. 7



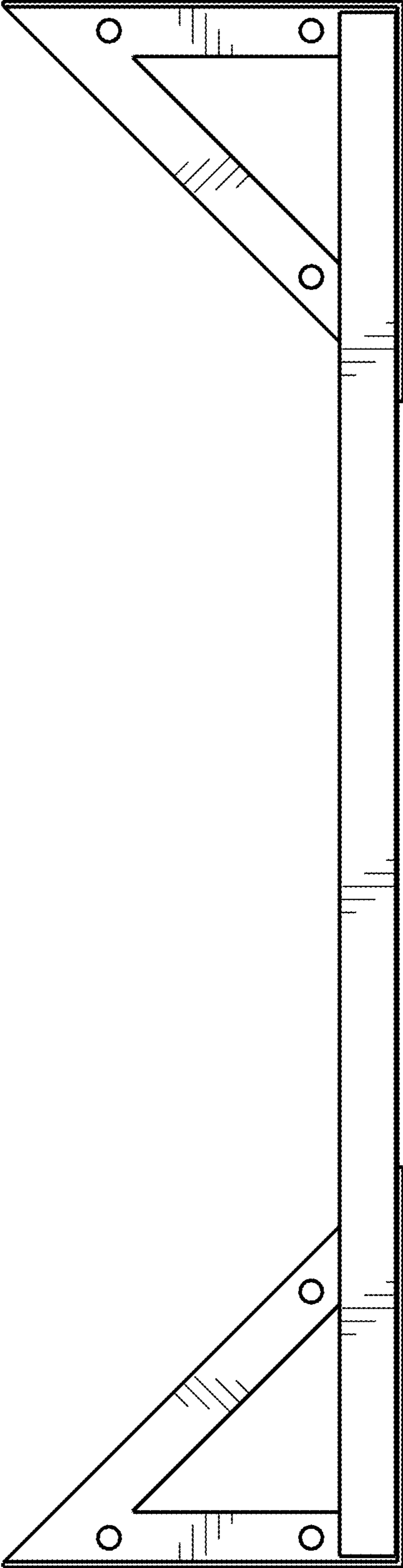


FIG. 8