



US00D919325S

(12) **United States Design Patent**
Wang

(10) **Patent No.:** **US D919,325 S**

(45) **Date of Patent:** **** May 18, 2021**

(54) **FLOATING SHELF**

(71) Applicant: **Xuzhong Wang**, Shenzhen (CN)

(72) Inventor: **Xuzhong Wang**, Shenzhen (CN)

(73) Assignee: **Shenzhen Liyijiujiu Network Technology Co., Ltd.**, Shenzhen (CN)

(**) Term: **15 Years**

(21) Appl. No.: **29/703,177**

(22) Filed: **Aug. 26, 2019**

(51) **LOC (13) Cl.** **06-04**

(52) **U.S. Cl.**
USPC **D6/574**

(58) **Field of Classification Search**
USPC D6/574, 320-324, 572, 612, 618, 641,
D6/685, 694, 553, 570, 571, 705, 706;
D7/698; 108/28-29, 152; 211/13.1, 42,
211/86.01, 88.01, 90.01, 90.03, 126.1,
211/134, 153, 187; 248/205.3, 235, 243,
248/247, 250, 242; 206/557
CPC A47B 43/00; A47B 43/04; A47B 47/0066;
A47B 47/04; A47B 63/00; A47B 69/00;
A47B 71/00

See application file for complete search history.

(56) **References Cited**

U.S. PATENT DOCUMENTS

D88,720 S * 12/1932 Wiepert D6/572
D260,832 S * 9/1981 Verdesca D12/425
D293,404 S * 12/1987 Murphy D6/567
D878,102 S * 3/2020 Carr D6/574
2020/0315129 A1 * 10/2020 Kumetz A01K 15/024

* cited by examiner

Primary Examiner — Mark Booker

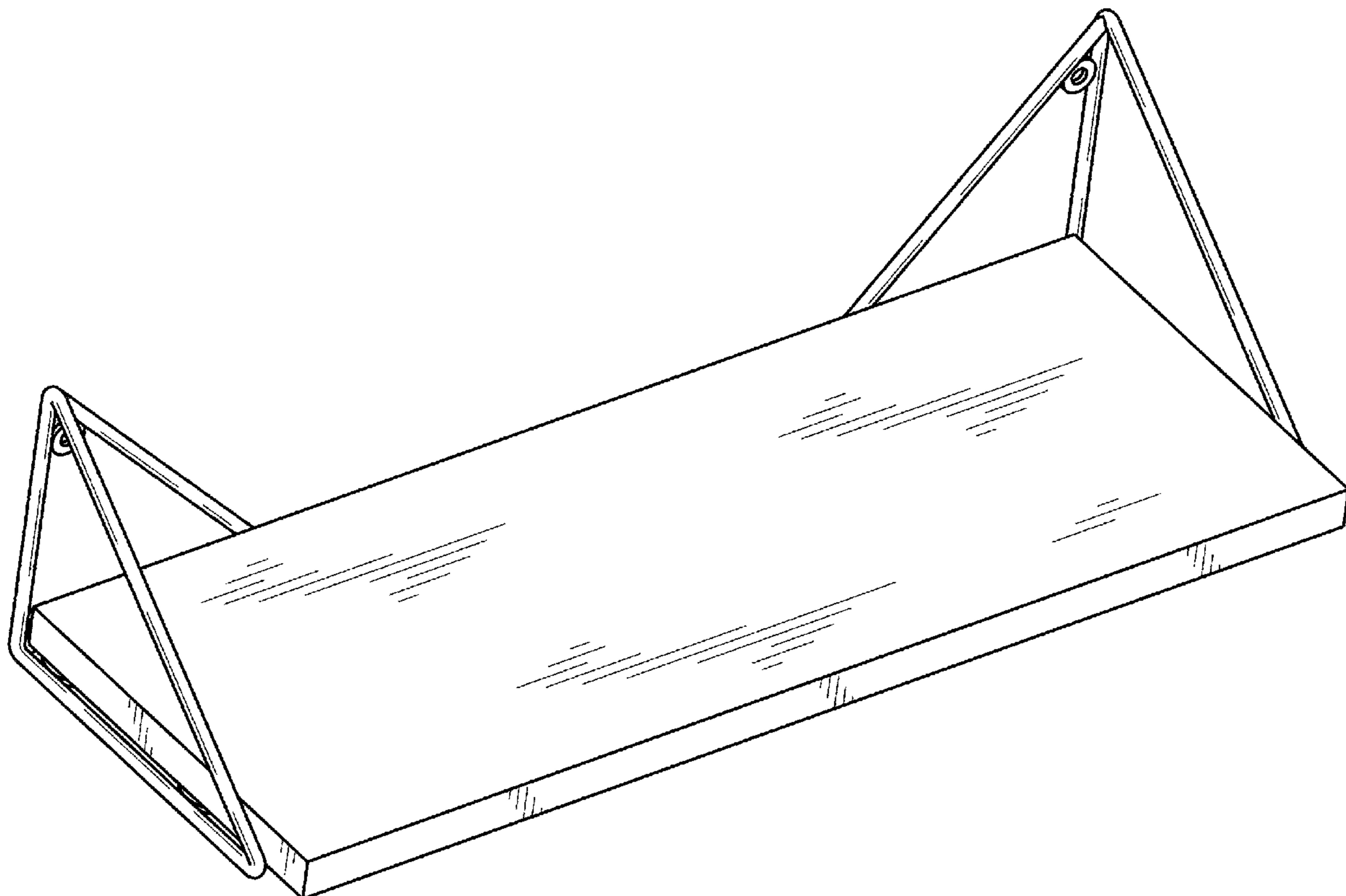
(57) **CLAIM**

The ornamental design for a floating shelf, as shown and described.

DESCRIPTION

FIG. 1 is a front perspective view of the floating shelf showing my new design;
FIG. 2 is a rear perspective view thereof;
FIG. 3 is a front elevational view thereof;
FIG. 4 is a rear elevational view thereof;
FIG. 5 is a left side elevational view thereof;
FIG. 6 is a right side elevational view thereof;
FIG. 7 is a top plan view thereof; and,
FIG. 8 is a bottom plan view thereof.

1 Claim, 8 Drawing Sheets



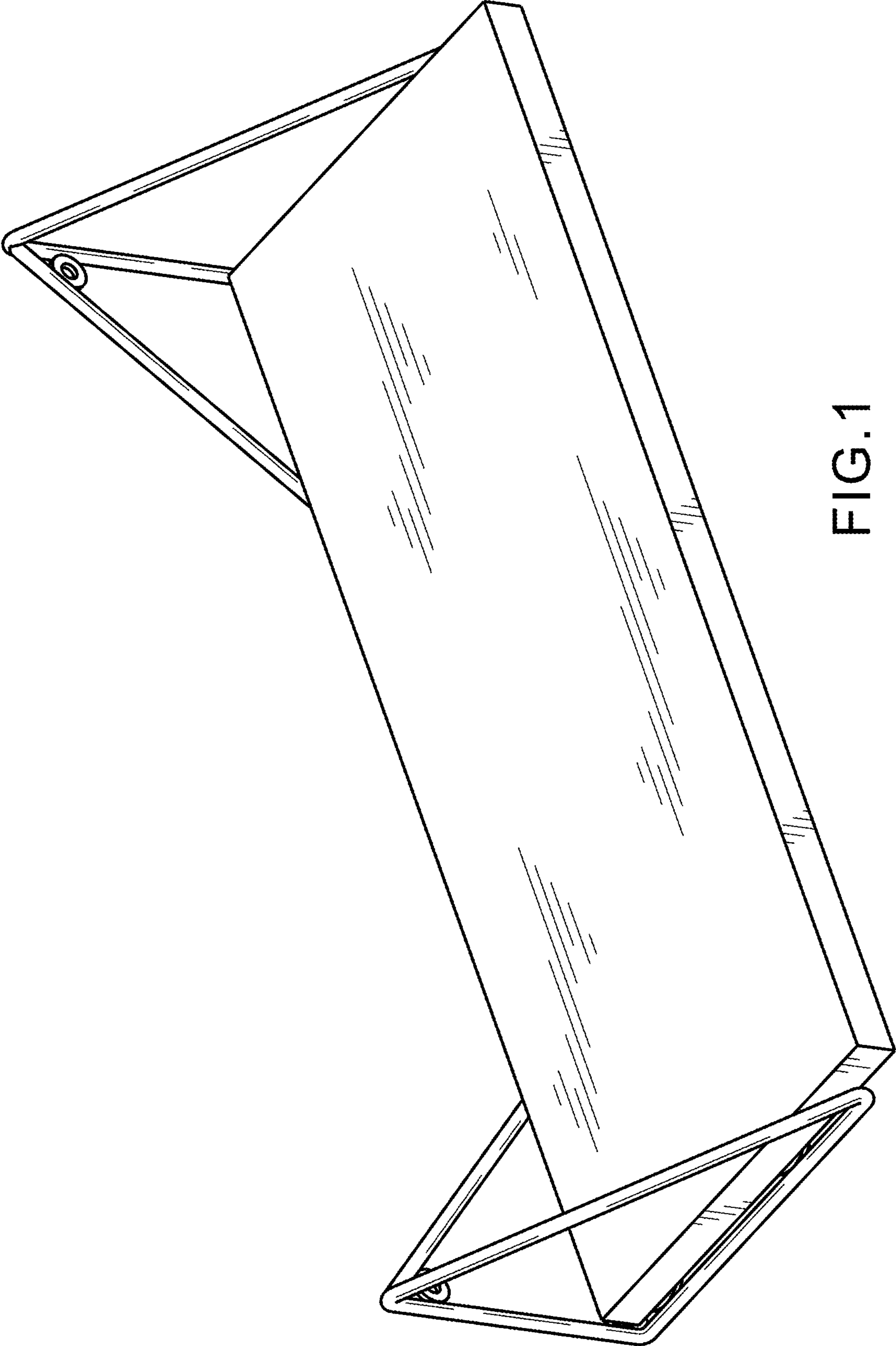


FIG. 1

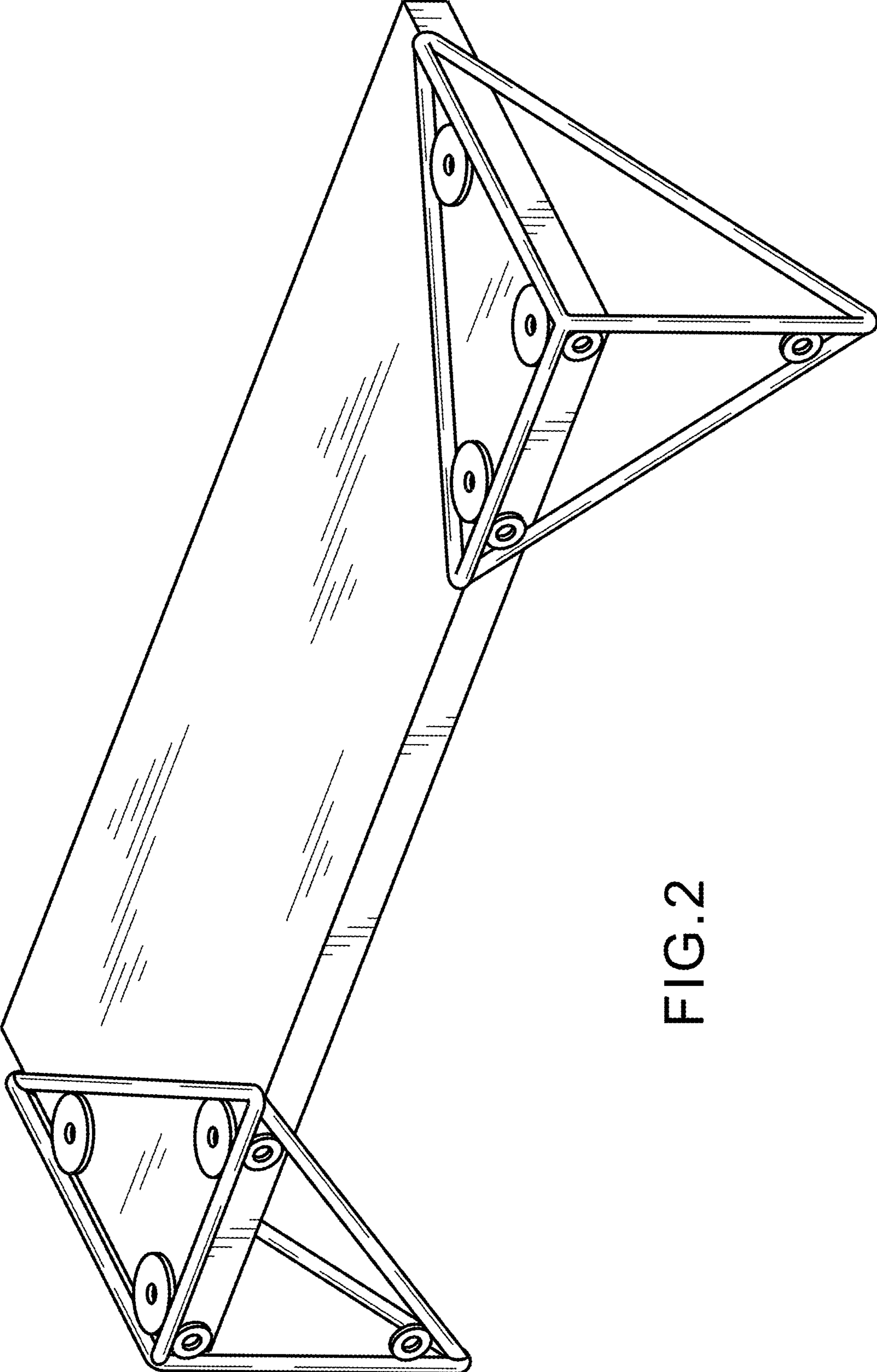


FIG. 2

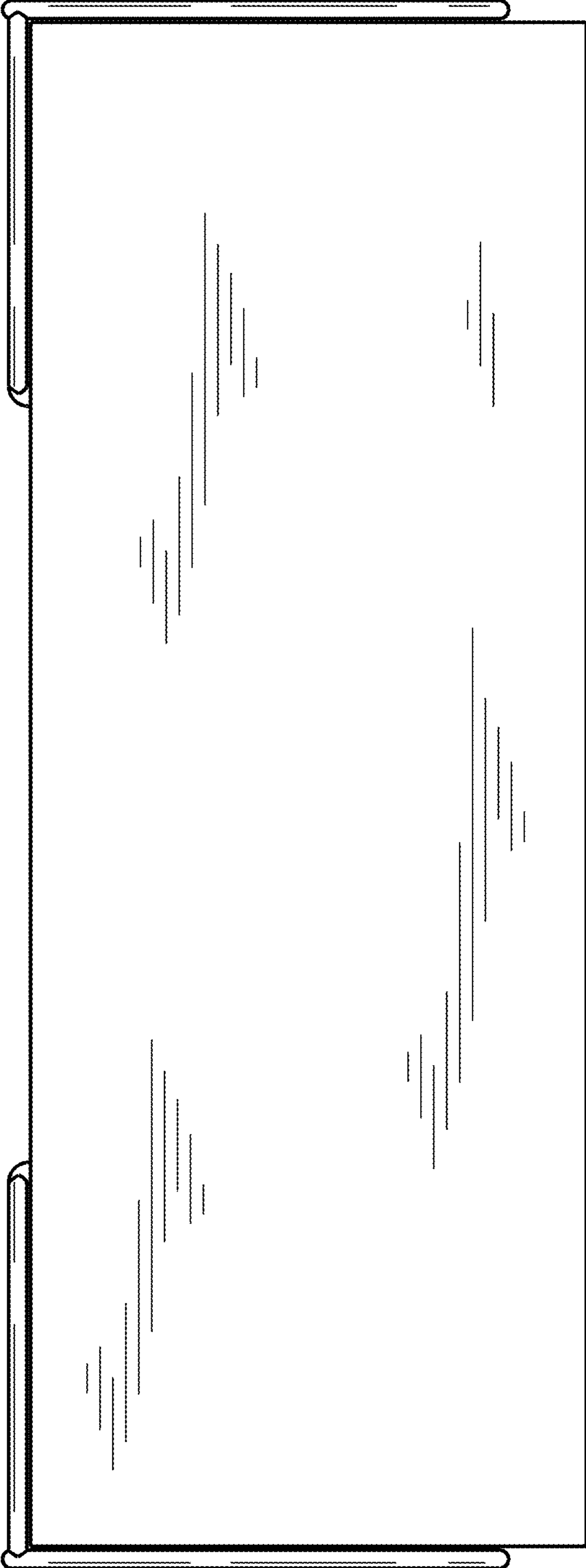


FIG.3

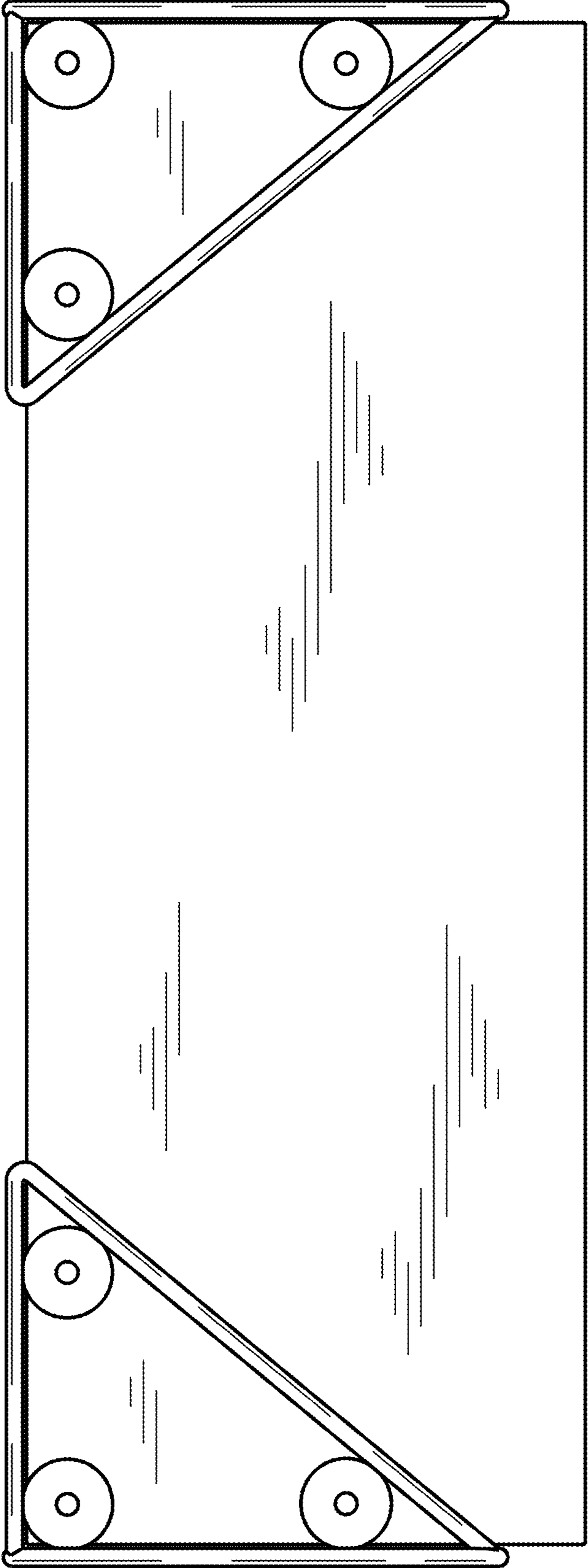


FIG.4

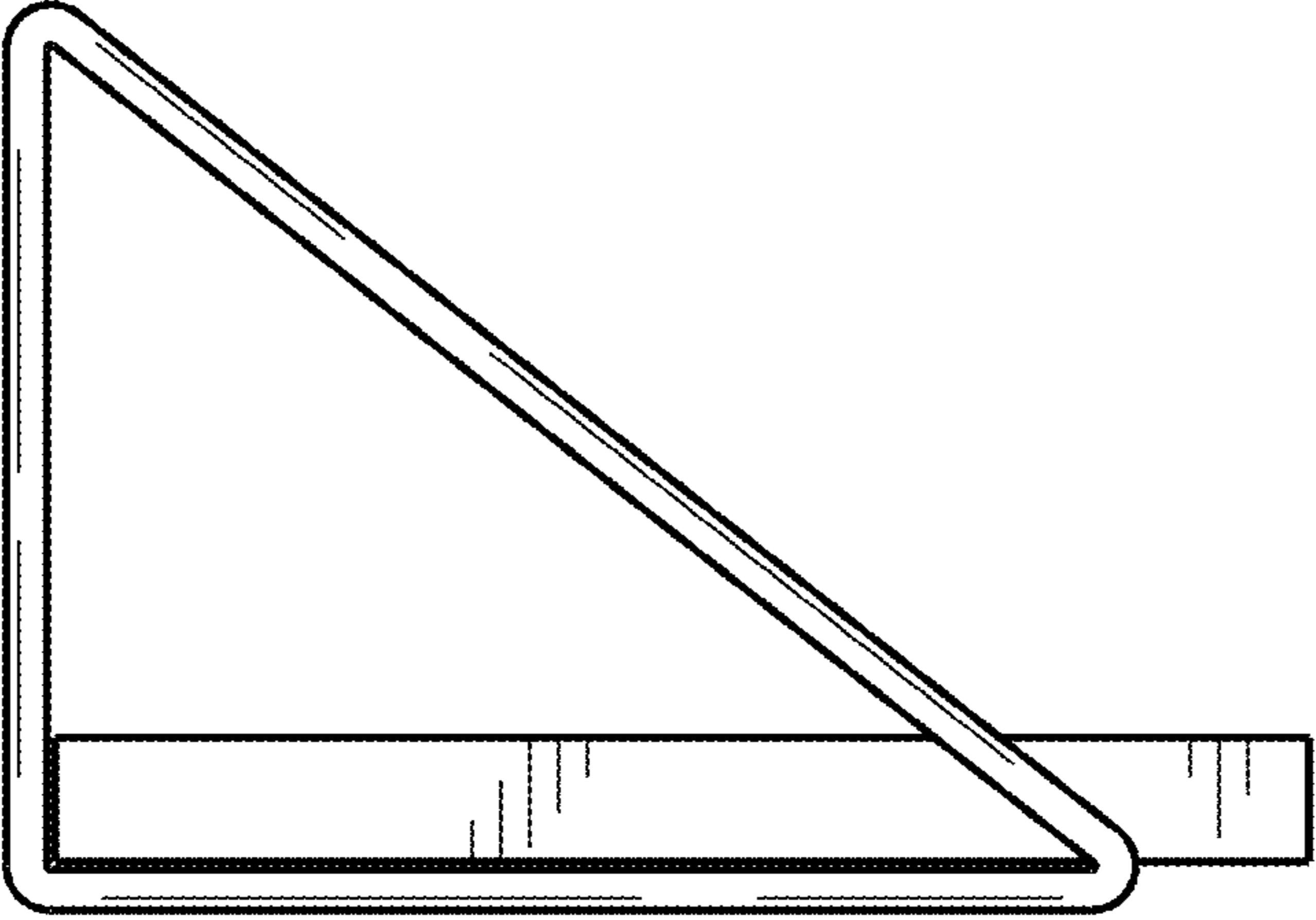


FIG. 5

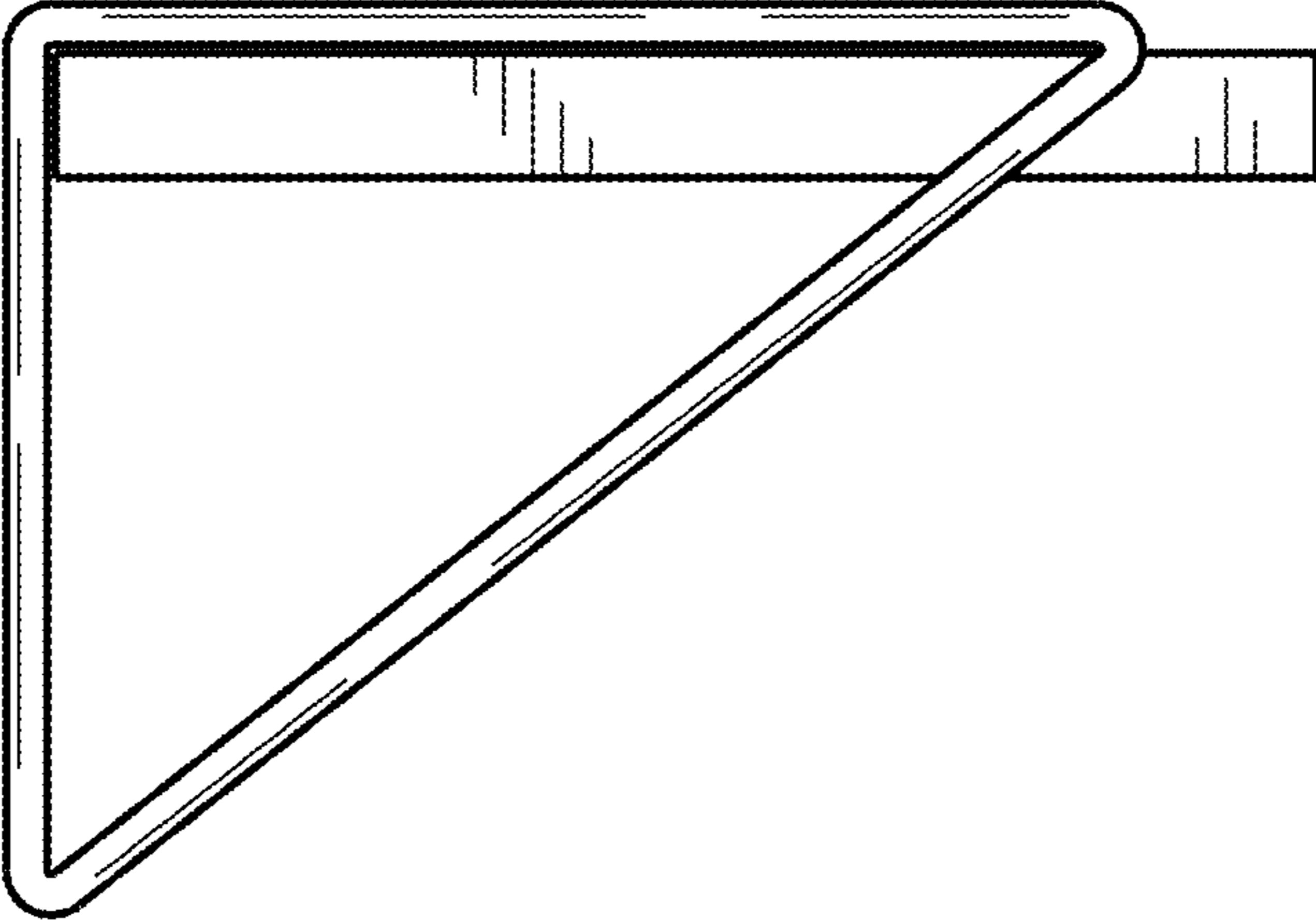


FIG.6

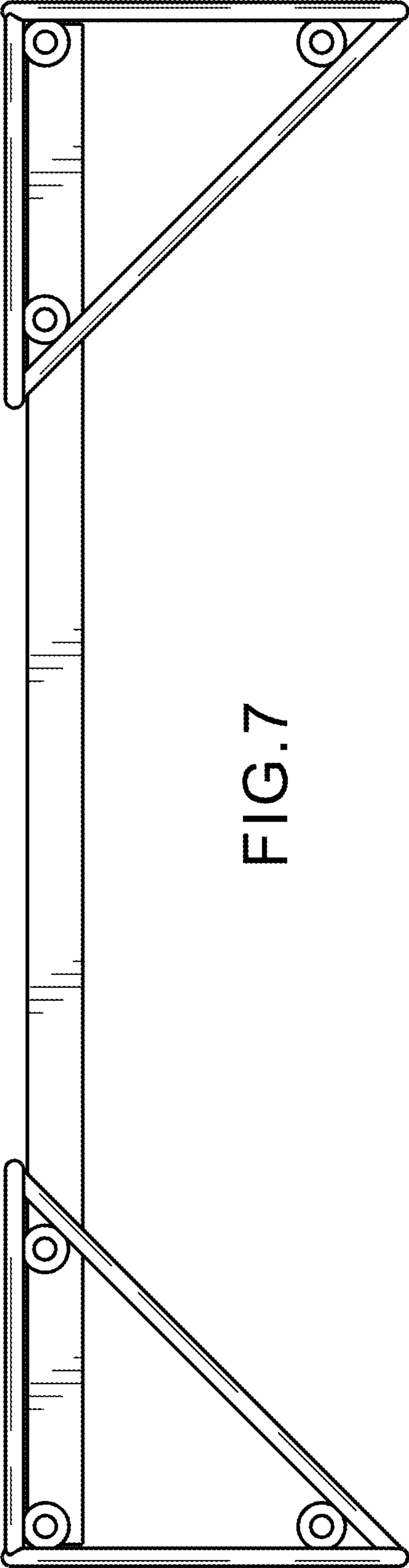


FIG. 7

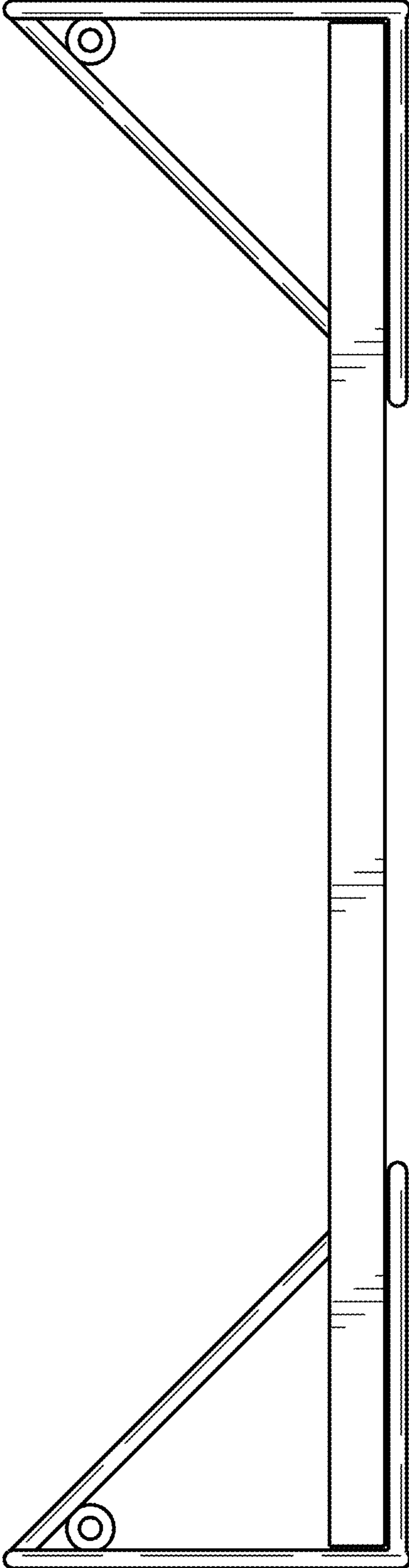


FIG. 8