



US00D919324S

(12) **United States Design Patent**  
**Lai**

(10) **Patent No.:** **US D919,324 S**

(45) **Date of Patent:** **\*\* May 18, 2021**

(54) **WALL RACK**

(71) Applicant: **Sin Lai**, Woodinville, WA (US)

(72) Inventor: **Sin Lai**, Woodinville, WA (US)

(\*\*) Term: **15 Years**

(21) Appl. No.: **29/700,307**

(22) Filed: **Aug. 1, 2019**

(51) **LOC (13) Cl.** ..... **06-04**

(52) **U.S. Cl.**  
USPC ..... **D6/571**

(58) **Field of Classification Search**

USPC .... D6/570, 571, 525, 553, 566; D19/86, 87,  
D19/89-92; 211/10, 11, 42, 45, 50,  
211/88.01, 126.1, 106, 13.1, 30, 32, 70.6,  
211/56.01, 87.01, 181.1, 90.03, 75;  
248/301-304, 309.1, 309.2

CPC ..... A47K 17/00; A47K 3/281; B23P 17/04;  
A47B 57/265; A47B 57/565; A47B  
57/26; A47B 43/00; A47B 43/04; A47B  
47/0066; A47B 47/04; A47B 63/00; A47B  
69/00; A47B 71/00; B65D 51/00

See application file for complete search history.

(56) **References Cited**

**U.S. PATENT DOCUMENTS**

D300,795 S \* 4/1989 Kellogg ..... D6/567  
D454,746 S \* 3/2002 Grant ..... D6/570

D606,347 S \* 12/2009 Berry ..... D6/553  
D680,785 S \* 4/2013 Hankinson ..... D6/570  
D901,935 S \* 11/2020 Yin ..... D6/571  
D905,467 S \* 12/2020 Rubin ..... D6/570

\* cited by examiner

*Primary Examiner* — Mark Booker

(74) *Attorney, Agent, or Firm* — Marisa Whitaker; Dean Craine

(57) **CLAIM**

The ornamental design for a wall rack, as shown and described.

**DESCRIPTION**

FIG. 1 is a front perspective view of a wall rack showing my new design.

FIG. 2 is a front elevation view thereof.

FIG. 3 is a rear elevation view thereof.

FIG. 4 is a top plan view thereof.

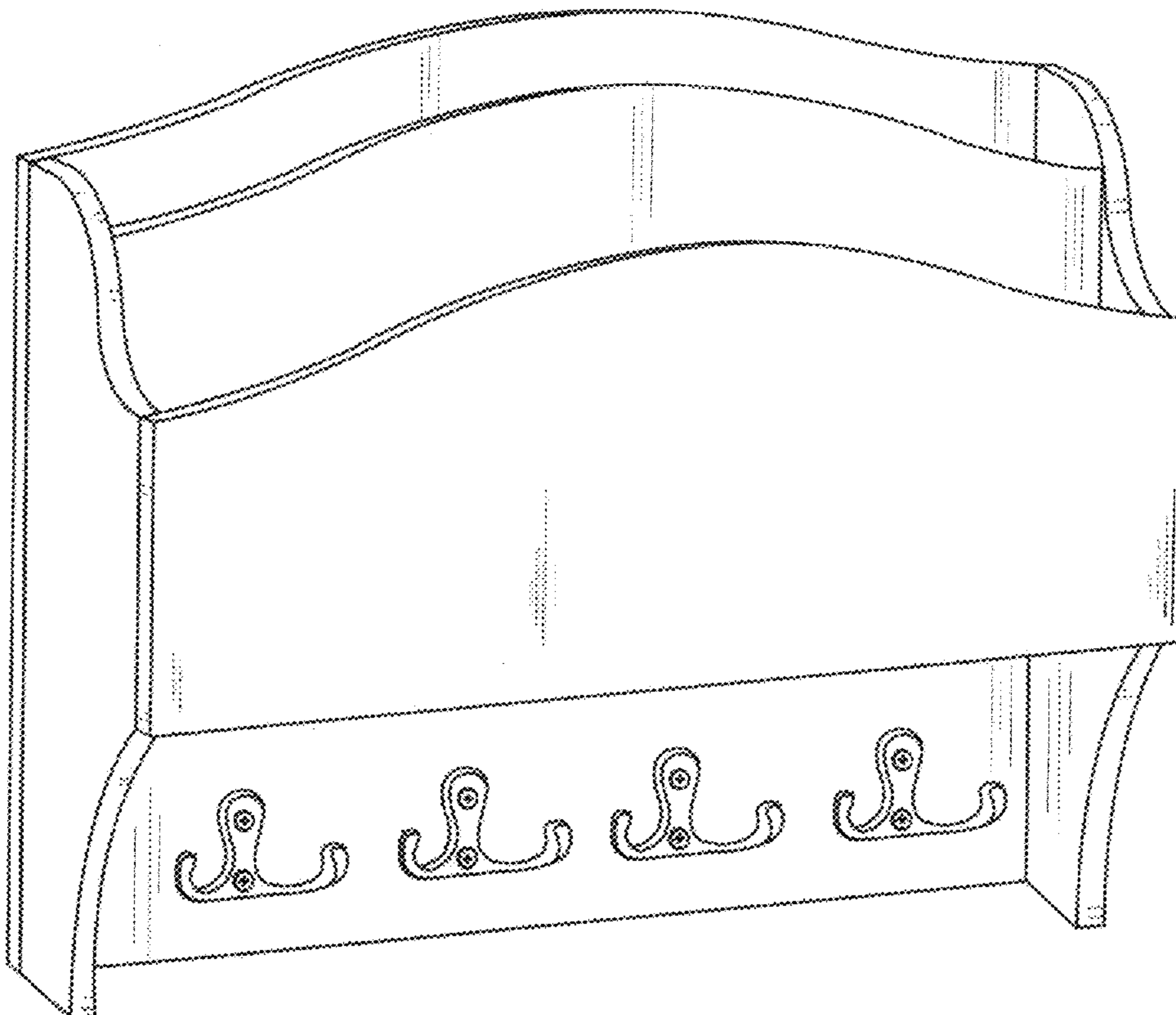
FIG. 5 is a bottom plan view thereof.

FIG. 6 is a left-side elevational view thereof.

FIG. 7 is a right-side elevational view thereof; and,

FIG. 8 is a sectional side elevational view taken along line 8-8 in FIG. 2.

**1 Claim, 8 Drawing Sheets**



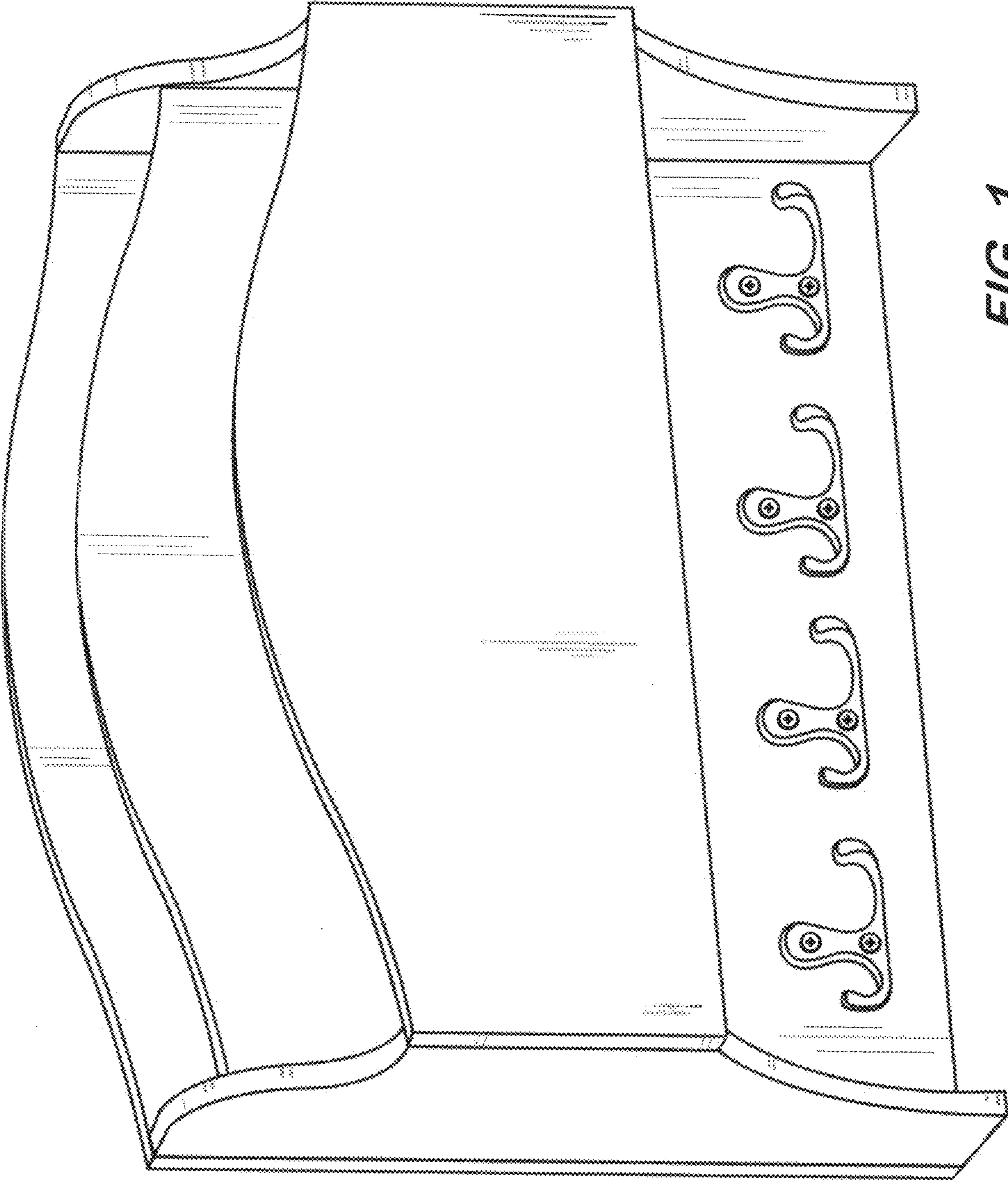


FIG. 1

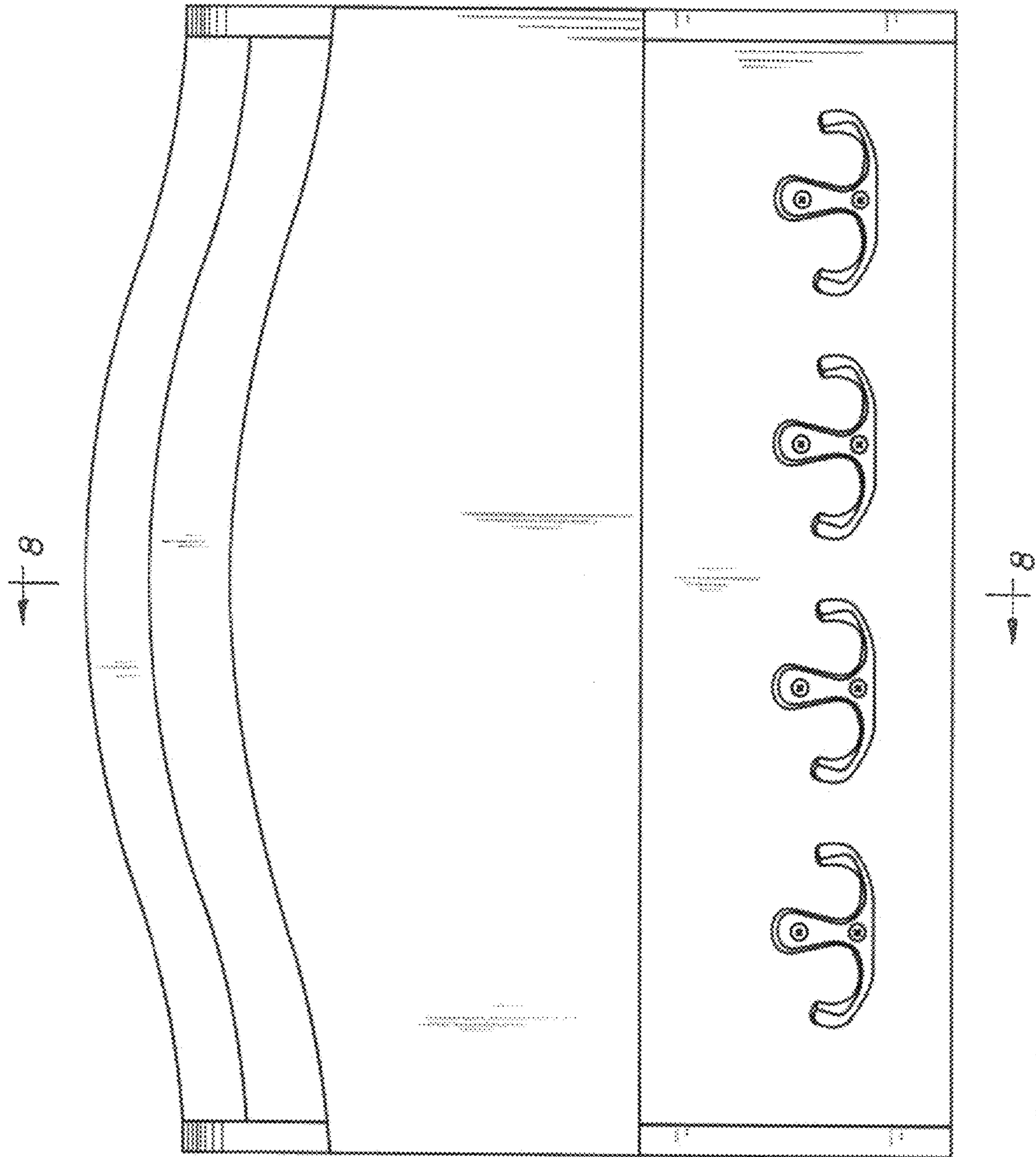


FIG. 2

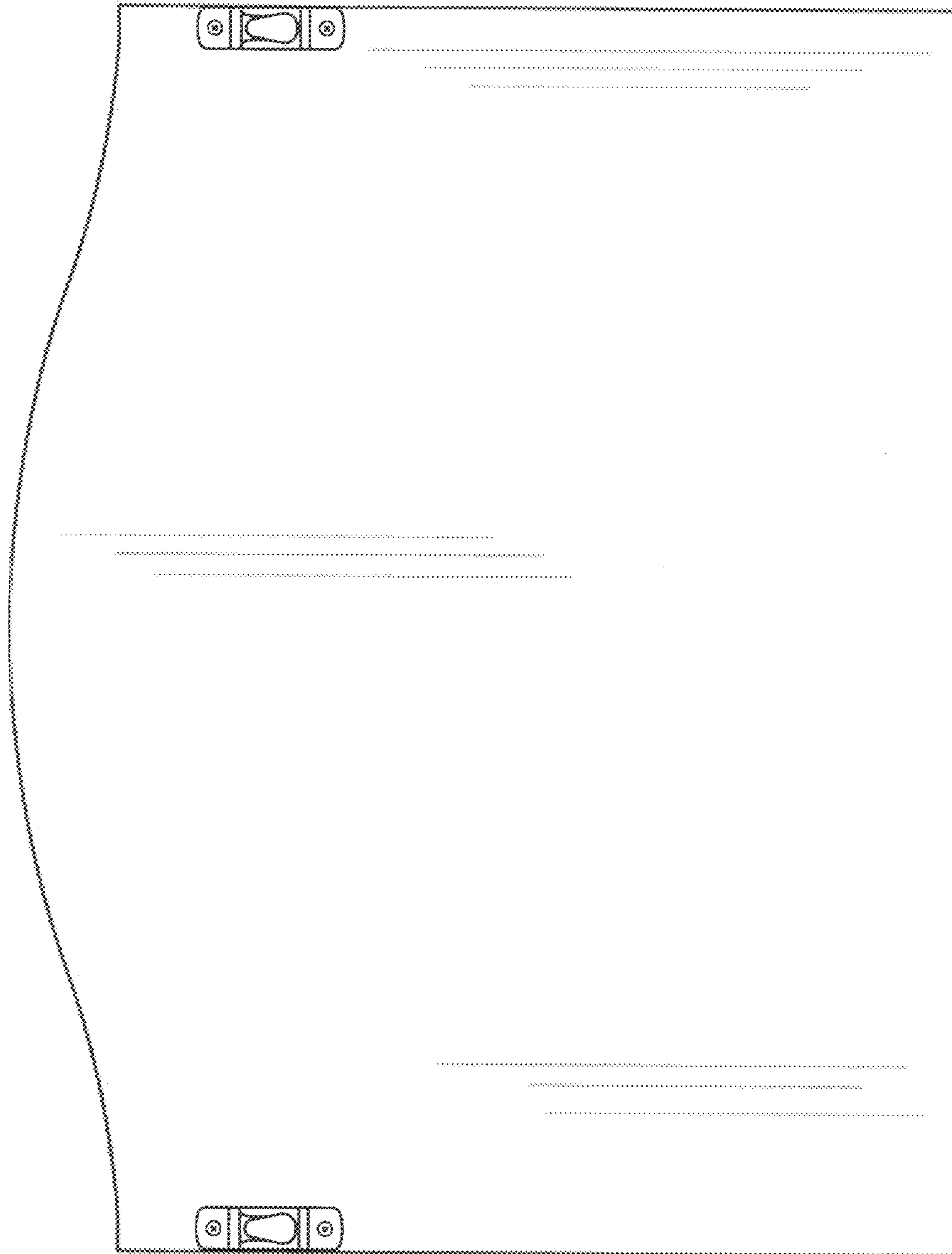


FIG. 3



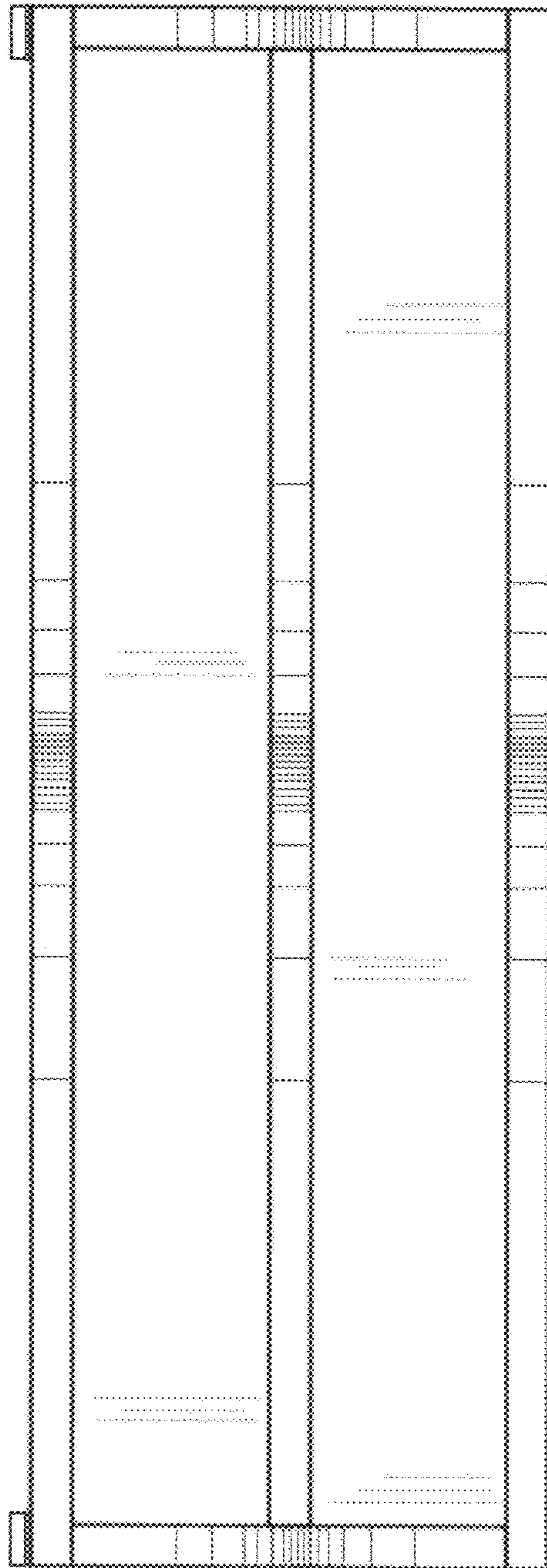


FIG. 4

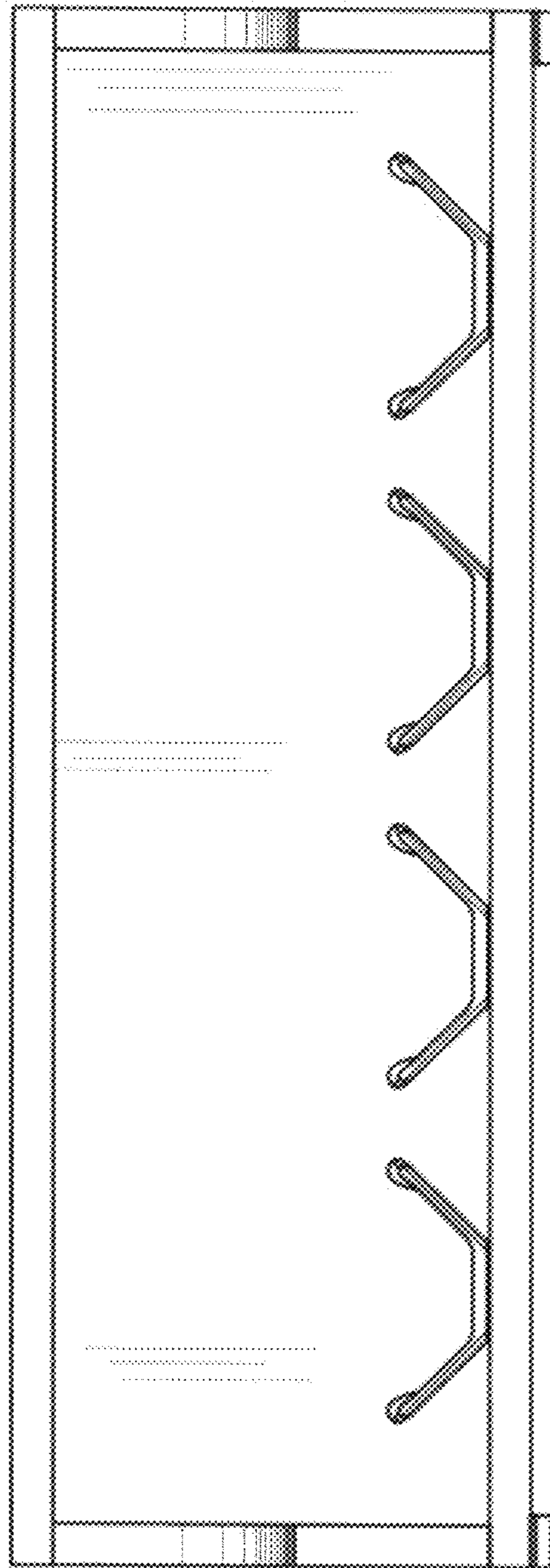


FIG. 5

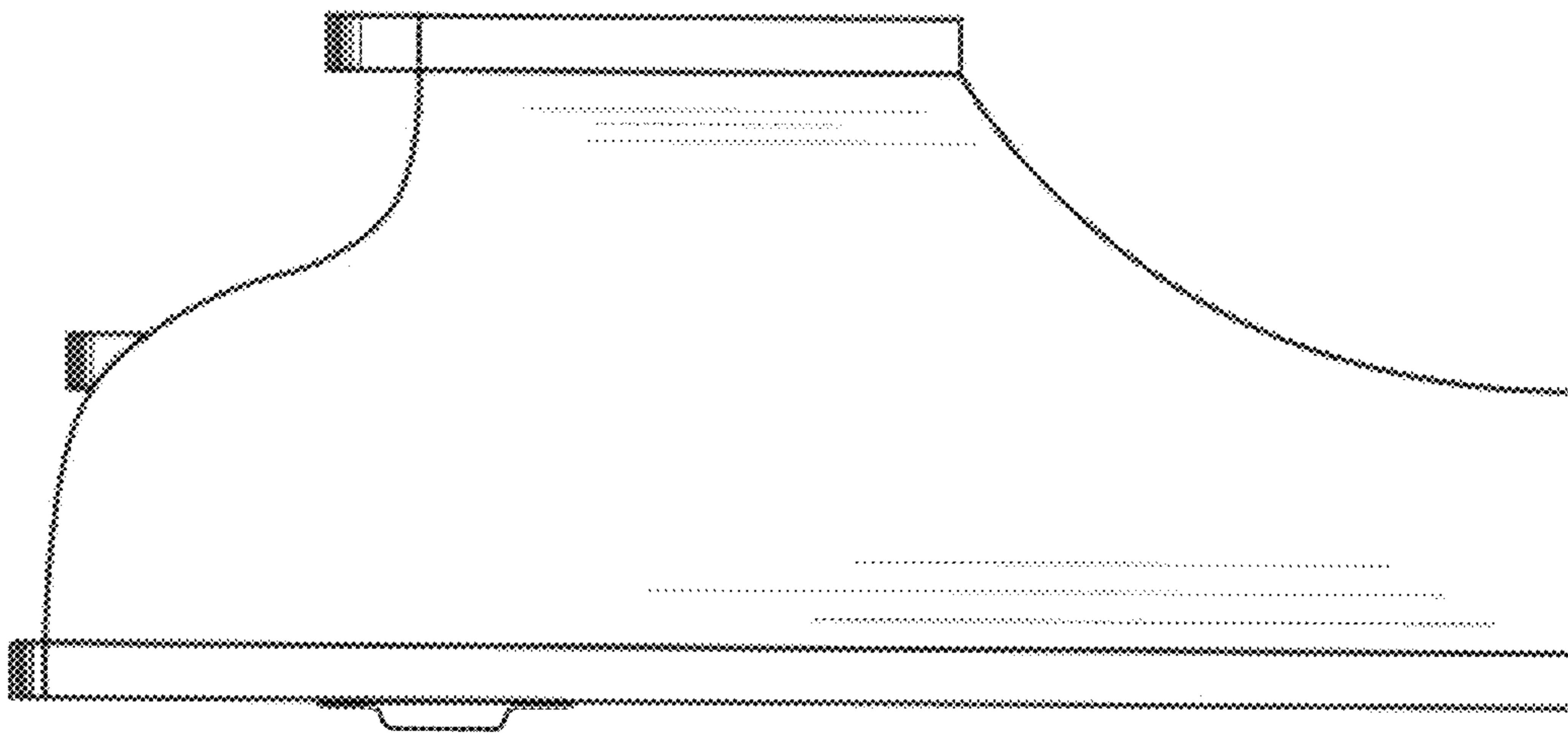


FIG. 6

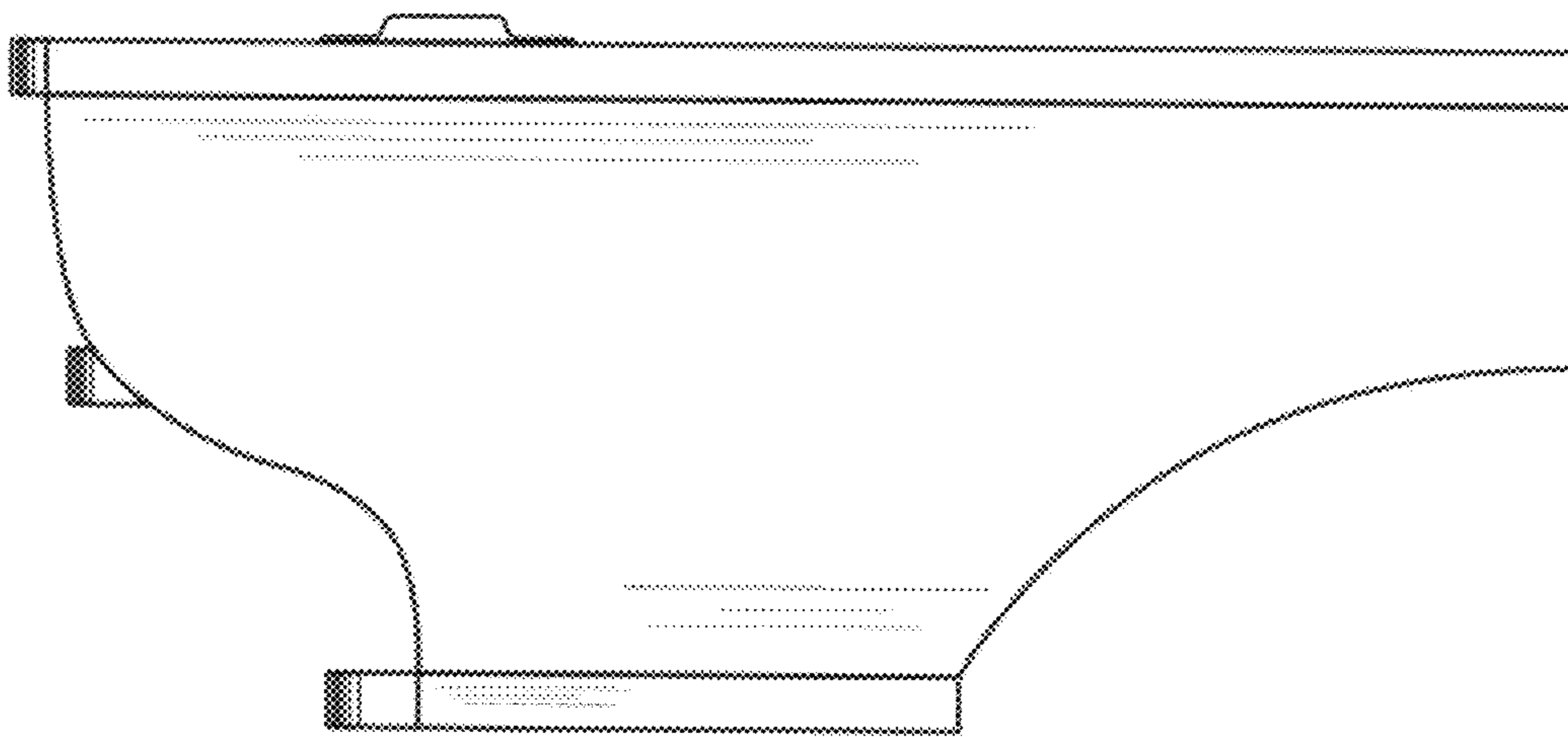


FIG. 7



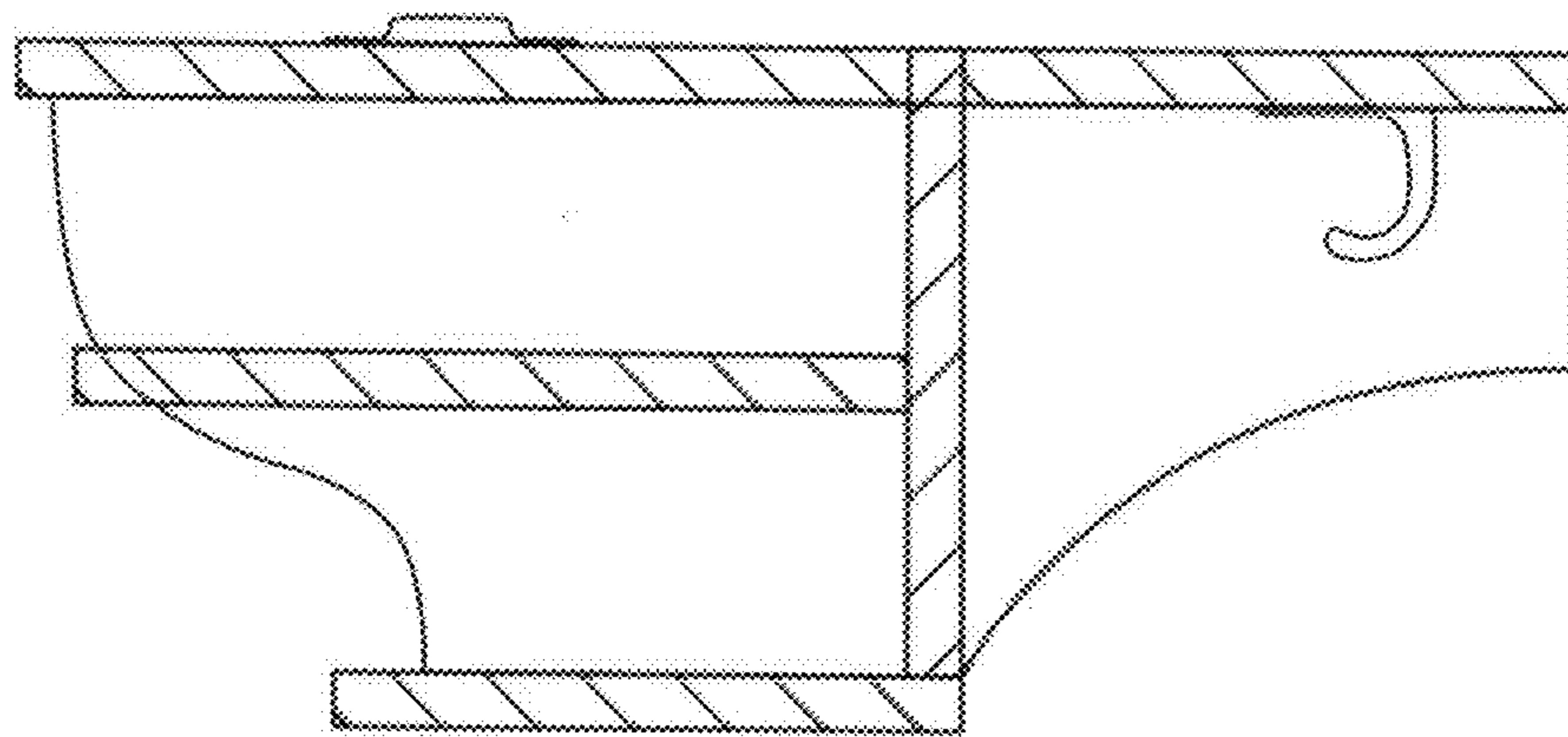


FIG. 8