



US00D919323S

(12) **United States Design Patent** (10) **Patent No.:** **US D919,323 S**
Williams et al. (45) **Date of Patent:** **** May 18, 2021**

(54) **FLOWER HOLDER**
(71) Applicant: **MGX Innovations**, Wilkes-Barre, PA (US)
(72) Inventors: **Matthew C. Williams**, Dallas, PA (US); **Jeffrey J. Pyros**, Shavertown, PA (US); **Daniel Slade Lykens**, Kingston, PA (US); **Michael Christopher Grobinski**, Kingston, PA (US)

D300,521 S * 4/1989 Toltzman D11/143
D376,714 S * 12/1996 Dallimore D11/152
5,836,017 A 11/1998 Hironaga et al.
D440,733 S * 4/2001 Williams D99/19
D445,722 S * 7/2001 Davenport D11/152
6,389,649 B1 5/2002 Metzler
6,715,184 B1 * 4/2004 Droschak A45F 5/08
24/13
D579,173 S * 10/2008 Rickards D99/17
D580,679 S * 11/2008 Broel D6/405
D604,081 S * 11/2009 Nunes A01G 9/025
D6/556

(73) Assignee: **MGX Innovations**
(**) Term: **15 Years**

(Continued)

(21) Appl. No.: **29/677,236**
(22) Filed: **Jan. 18, 2019**

OTHER PUBLICATIONS

Easy Pin Boutonniere Holder Green Boutonniere Pin Back Boutonniere Pin Wedding Supply Wedding boutonniere components DIY Boutonniere Base, https://www.etsy.com/listing/517169771/easy-pin-boutonniere-holder-green?ga_order=most_relevant&ga_search_type=all&ga_view_type=gallery&ga_search_query=boutonniere%20holder&ref=sr_gallery_11.

Related U.S. Application Data

(63) Continuation-in-part of application No. 15/819,055, filed on Nov. 21, 2017, now Pat. No. 10,595,621.

Primary Examiner — Mark Booker

(51) **LOC (13) Cl.** **06-04**
(52) **U.S. Cl.**

(74) *Attorney, Agent, or Firm* — The Belles Group, P.C.

USPC **D6/566**

(57) **CLAIM**

(58) **Field of Classification Search**
USPC D6/562, 403–404, 405, 556–558; D11/117, 143, 144, 146–149, 152, 155, D11/163; D20/42, 43; D26/72, 73; D99/17–99; 27/2–8, 14, 27, 30; 47/33, 47/39, 41.01, 41.1, 41.11, 41.12–41.14, 47/43–47, 65.5, 70; 206/45.25, 423, 769; 248/315; 24/5, 303, 305
CPC ... A01G 5/04; A01G 9/02; A47G 7/06; A47G 7/00; A47G 7/006; A47G 7/044; A45F 5/08; A61G 17/045; F21V 35/00
See application file for complete search history.

The ornamental design for a flower holder, as shown and described.

DESCRIPTION

(56) **References Cited**

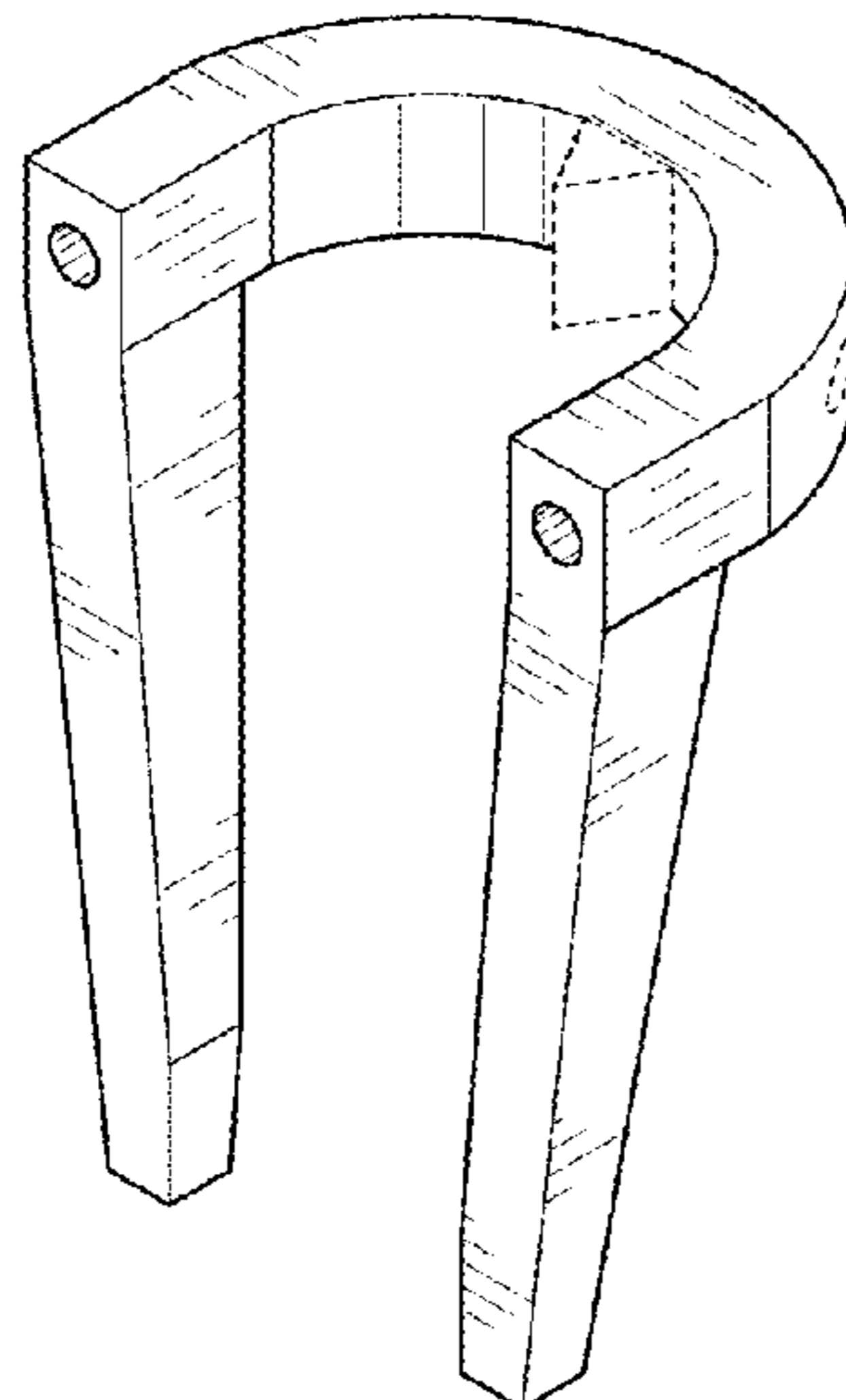
U.S. PATENT DOCUMENTS

1,067,979 A 7/1913 Ferguson
4,229,877 A 10/1980 Fagan

FIG. 1 is a front perspective view of a flower holder according to the new design;
FIG. 2 is a rear perspective view thereof;
FIG. 3 is a front view thereof;
FIG. 4 is a rear view thereof;
FIG. 5 is a left side view thereof;
FIG. 6 is a right side view thereof;
FIG. 7 is a top view thereof; and,
FIG. 8 is a bottom view thereof.

The broken lines in the drawings illustrate portions of the flower holder that form no part of the claimed design.

1 Claim, 5 Drawing Sheets



(56)

References Cited

U.S. PATENT DOCUMENTS

7,685,682	B2	3/2010	Kiersz	
8,667,649	B2	3/2014	Cooper et al.	
10,595,621	B2 *	3/2020	Williams A45F 5/08
2006/0185234	A1	8/2006	Fitzgerald	
2007/0101643	A1	5/2007	Yowney et al.	
2008/0022494	A1	1/2008	Annett et al.	
2009/0217488	A1	9/2009	Bryczek	
2012/0023708	A1	2/2012	Crilly	

* cited by examiner

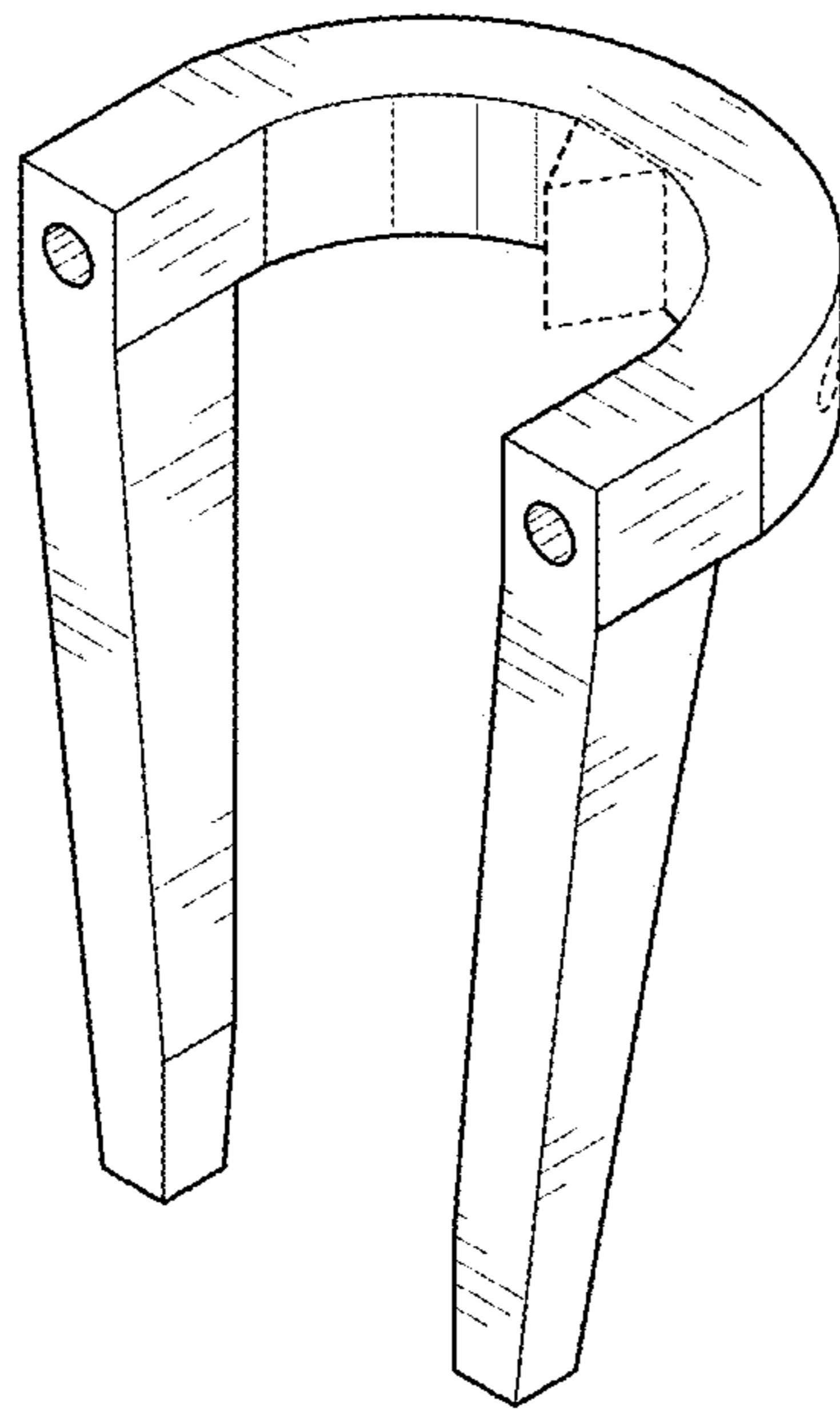


FIG. 1

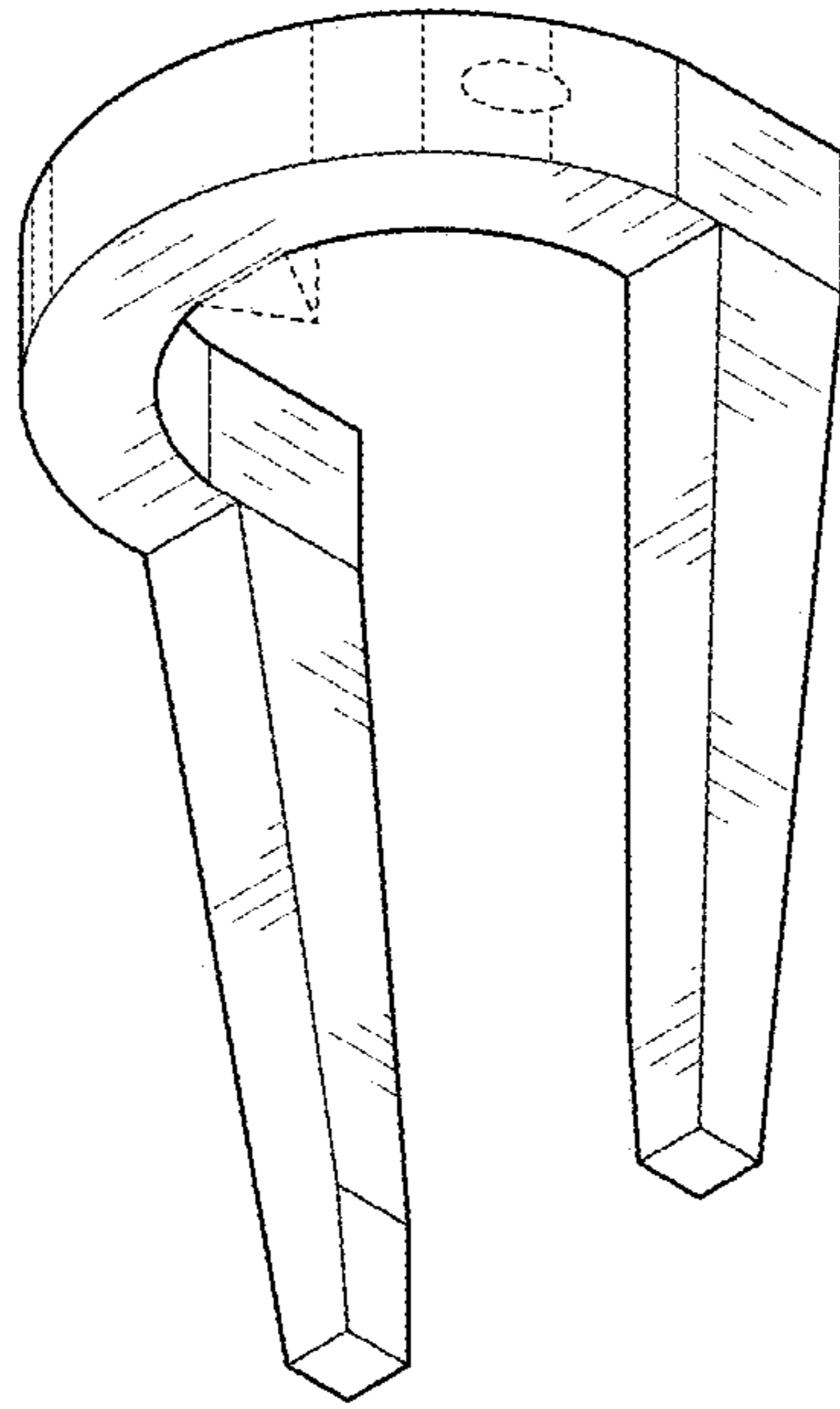


FIG. 2

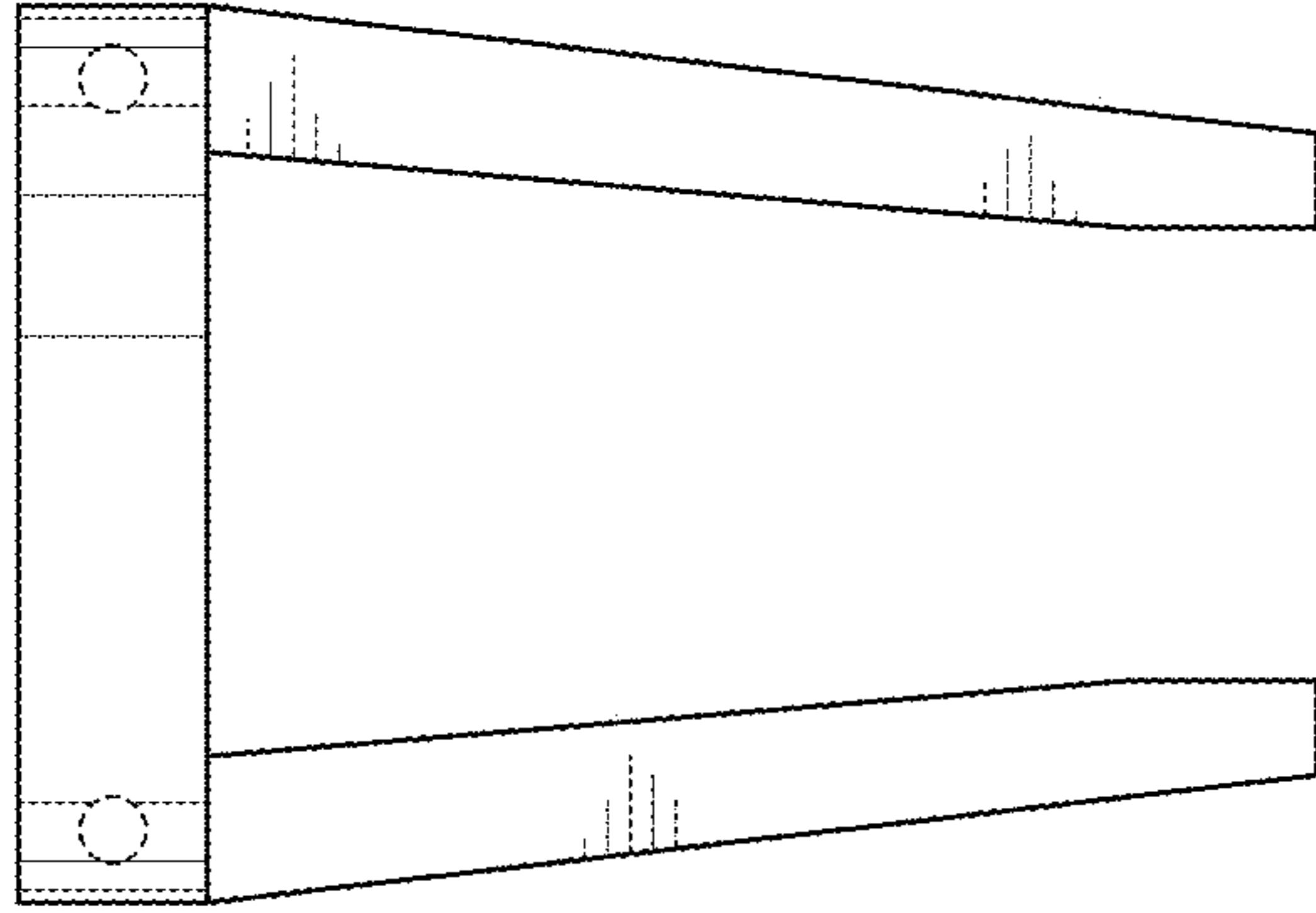


FIG. 4

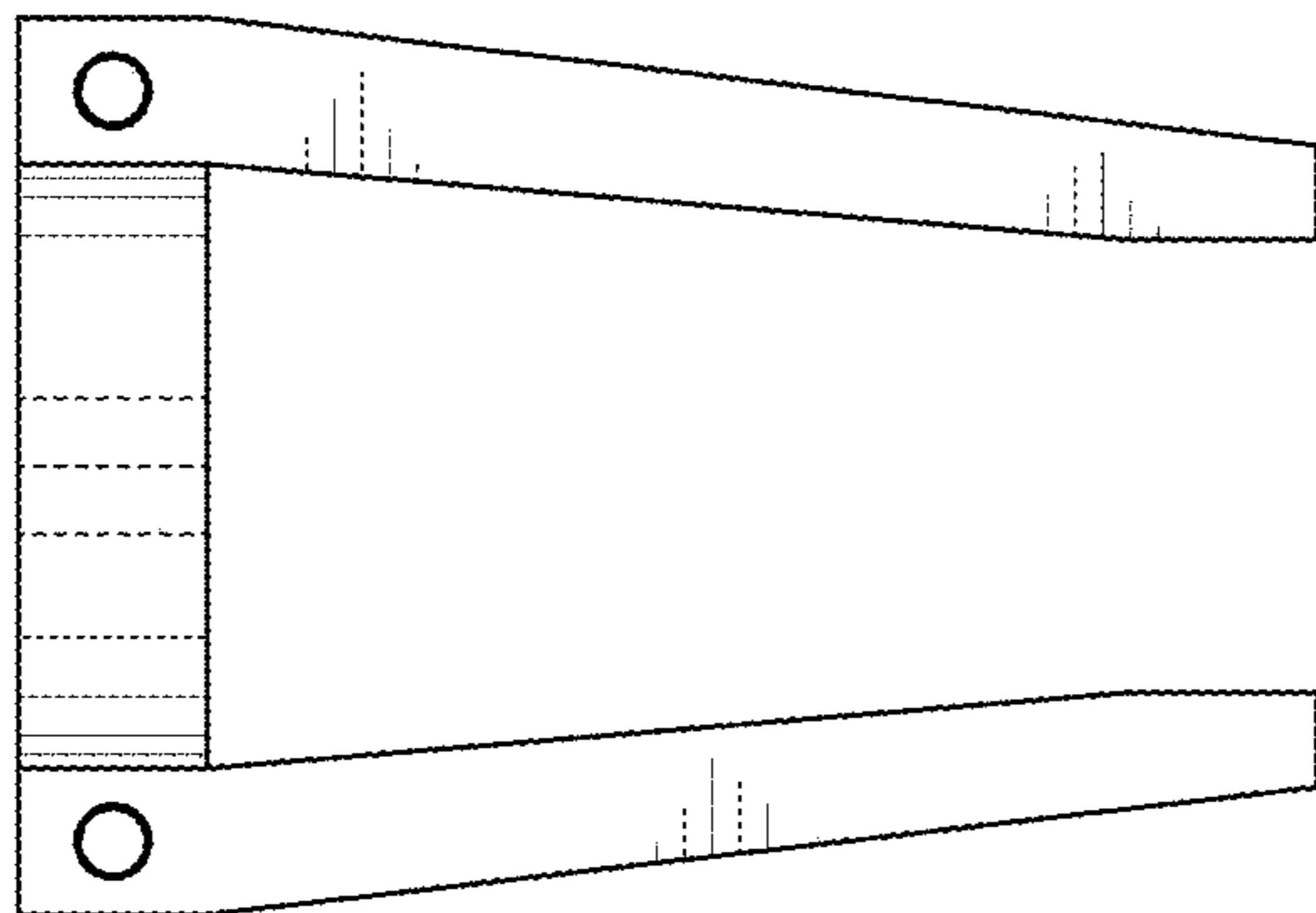


FIG. 3

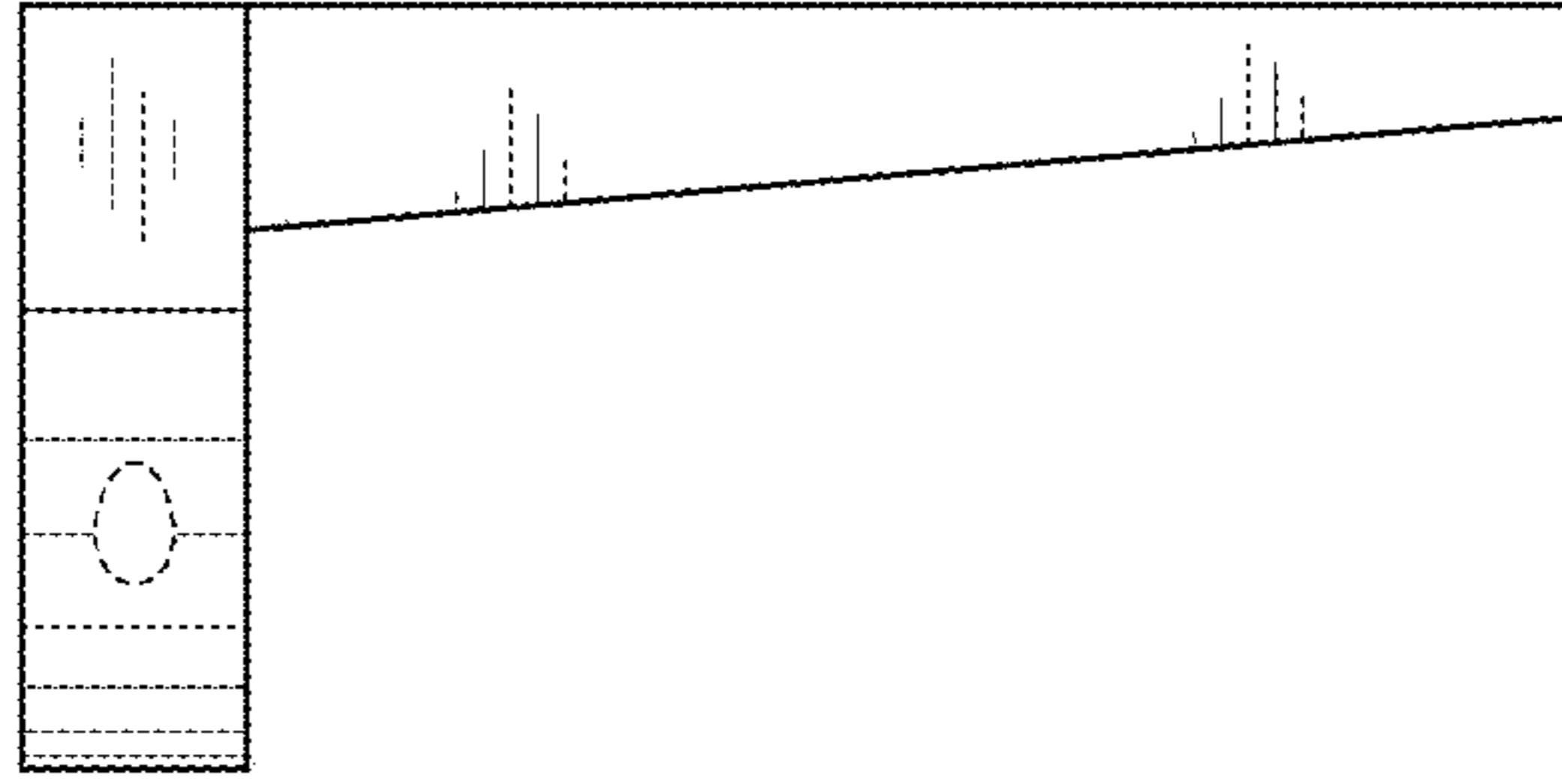


FIG. 6

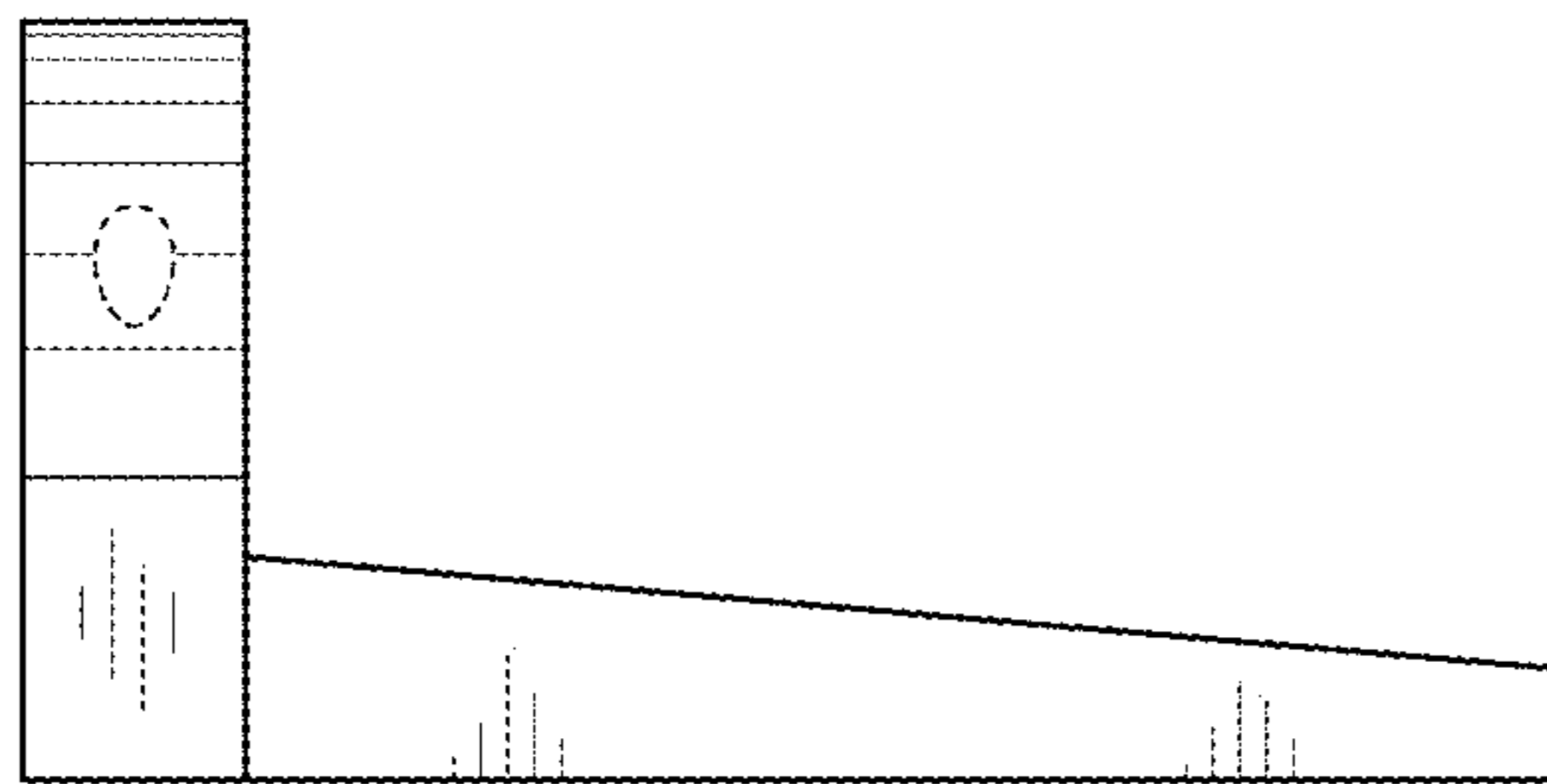


FIG. 5

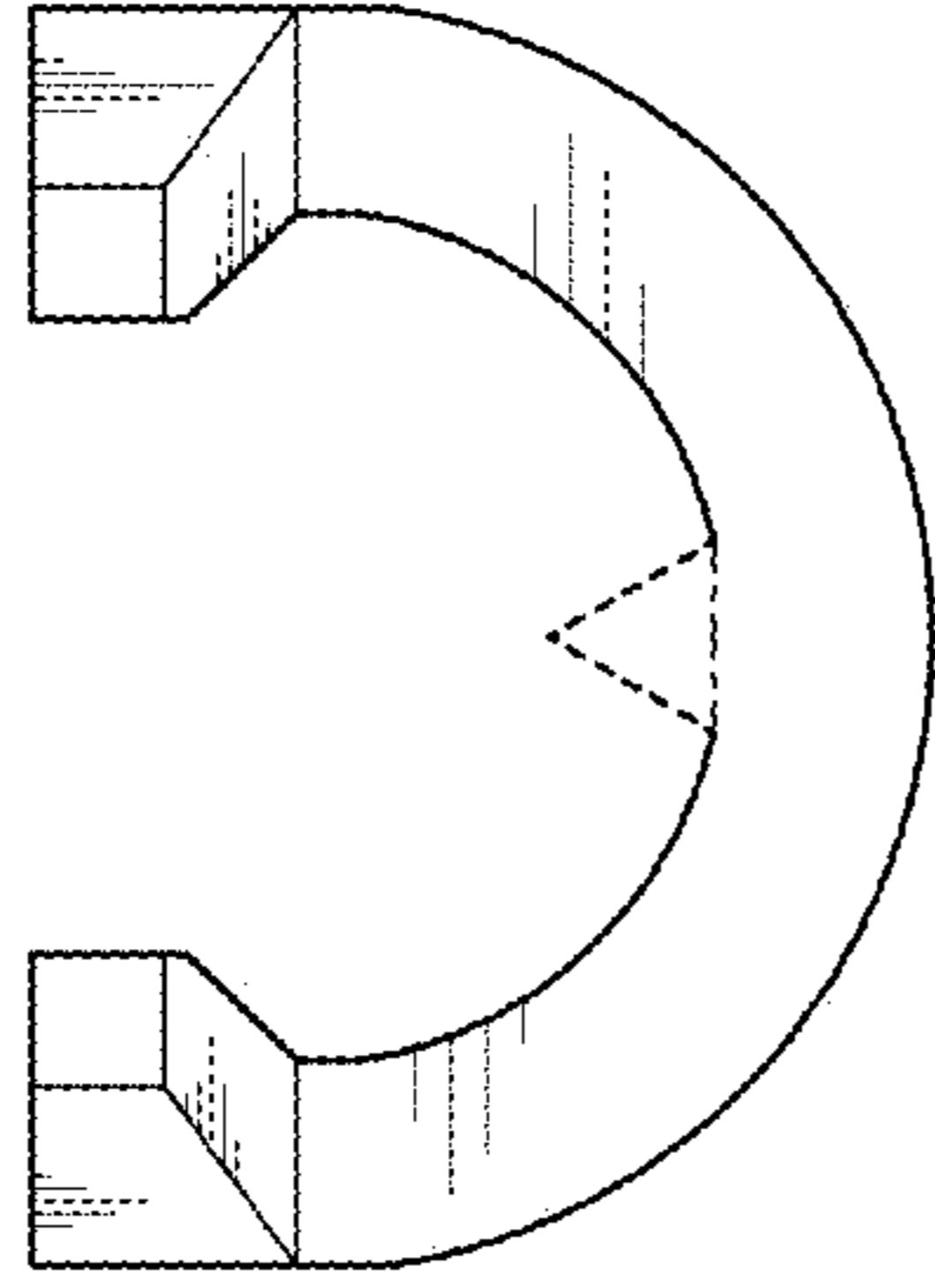


FIG. 7

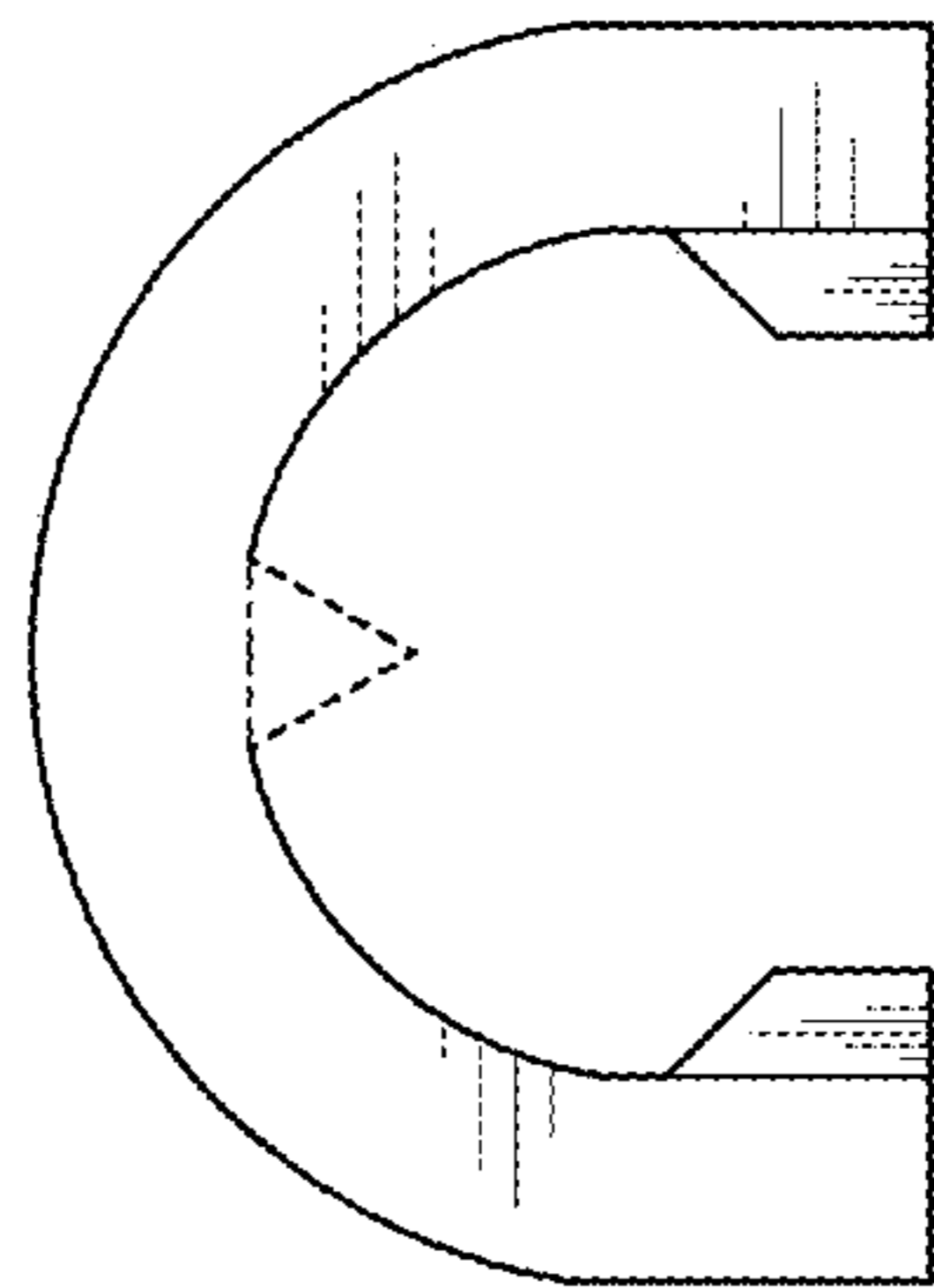


FIG. 8