



US00D919321S

(12) **United States Design Patent** (10) **Patent No.:** **US D919,321 S**  
**Stelmarski** (45) **Date of Patent:** **\*\* May 18, 2021**

(54) **DISPENSER**

- (71) Applicant: **InterDesign, Inc.**, Solon, OH (US)
- (72) Inventor: **Brian Stelmarski**, Hudson, OH (US)
- (73) Assignee: **InterDesign, Inc.**, Solon, OH (US)
- (\*\*) Term: **15 Years**
- (21) Appl. No.: **29/713,381**
- (22) Filed: **Nov. 15, 2019**

**Related U.S. Application Data**

- (63) Continuation-in-part of application No. 29/662,000, filed on Aug. 31, 2018, now Pat. No. Des. 867,011, which is a continuation of application No. 29/577,592, filed on Sep. 14, 2016, now Pat. No. Des. 827,338, which is a continuation-in-part of application No. 29/571,044, filed on Jul. 14, 2016, now Pat. No. Des. 846,220, which is a continuation-in-part of application No. 29/516,882, filed on Feb. 6, 2015, now abandoned, which is a continuation-in-part of application No. 29/509,596, filed on Nov. 19, 2014, now abandoned.
- (51) **LOC (13) Cl.** ..... **23-02**
- (52) **U.S. Cl.**  
USPC ..... **D6/542**
- (58) **Field of Classification Search**  
USPC ..... D6/525, 542, 545, 543, 544; 206/77.1; 221/96, 132, 282-283; 222/92, 105, 173, 222/180, 181.1, 181.2, 181.3, 282, 283  
CPC ..... B01L 3/52; B05B 11/3014; B05B 9/0403; B05B 9/0426; C11D 17/08; A45D 19/02; A47K 5/12; A47K 5/1202; A47K 5/1211  
See application file for complete search history.

(56) **References Cited**

U.S. PATENT DOCUMENTS

D486,336 S *	2/2004	Snell .....	D6/542
D559,600 S *	1/2008	Snell .....	D6/542
D563,704 S *	3/2008	Snell .....	D6/542
D642,840 S *	8/2011	Dretzka .....	D6/542
D811,768 S *	3/2018	Snell .....	D6/530
D845,662 S *	4/2019	Ghiorghie .....	D6/525
D869,194 S *	12/2019	Joseph .....	D6/542

\* cited by examiner

*Primary Examiner* — Mark Booker

(74) *Attorney, Agent, or Firm* — Calfee, Halter & Griswold LLP

(57) **CLAIM**

I claim the ornamental design for a dispenser, as shown and described.

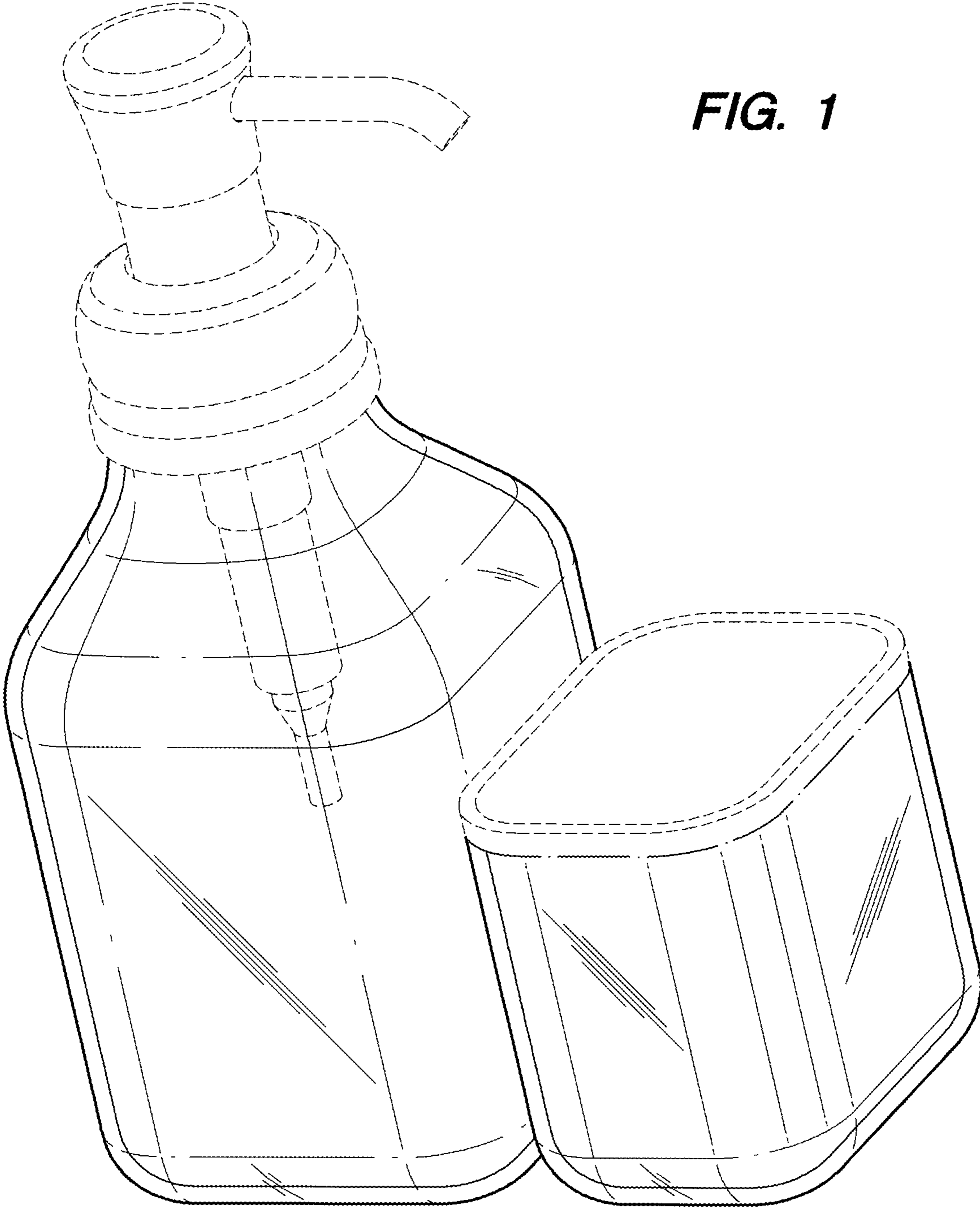
**DESCRIPTION**

FIG. 1 is a front/right/top perspective view of a dispenser; FIG. 2 is a rear/right/bottom perspective view thereof; FIG. 3 is a front elevational view thereof; FIG. 4 is a rear elevational view thereof; FIG. 5 is a left side elevational view thereof; FIG. 6 is a right side elevational view thereof; FIG. 7 is a top plan view thereof; and, FIG. 8 is a bottom plan view thereof.

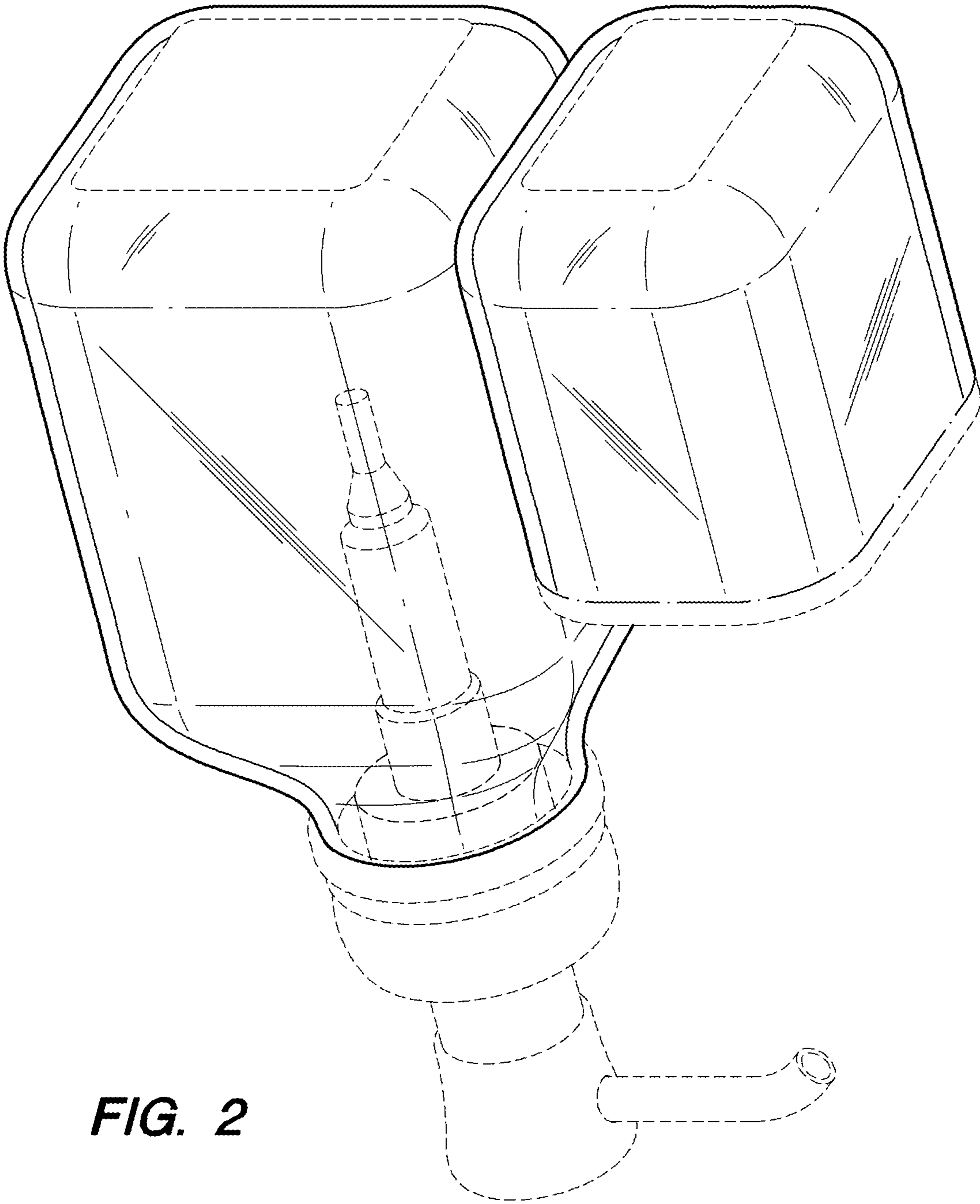
The uniformly broken lines shown on the bottom of the dispenser bottle and attached side container represent the bounds of the claimed design. The dash-dot broken lines shown proximate the top of the container also depict the bounds of the invention. All other broken lines are directed to environment and are for illustrative purposes only; all of the broken lines form no part of the claimed design.

**1 Claim, 7 Drawing Sheets**

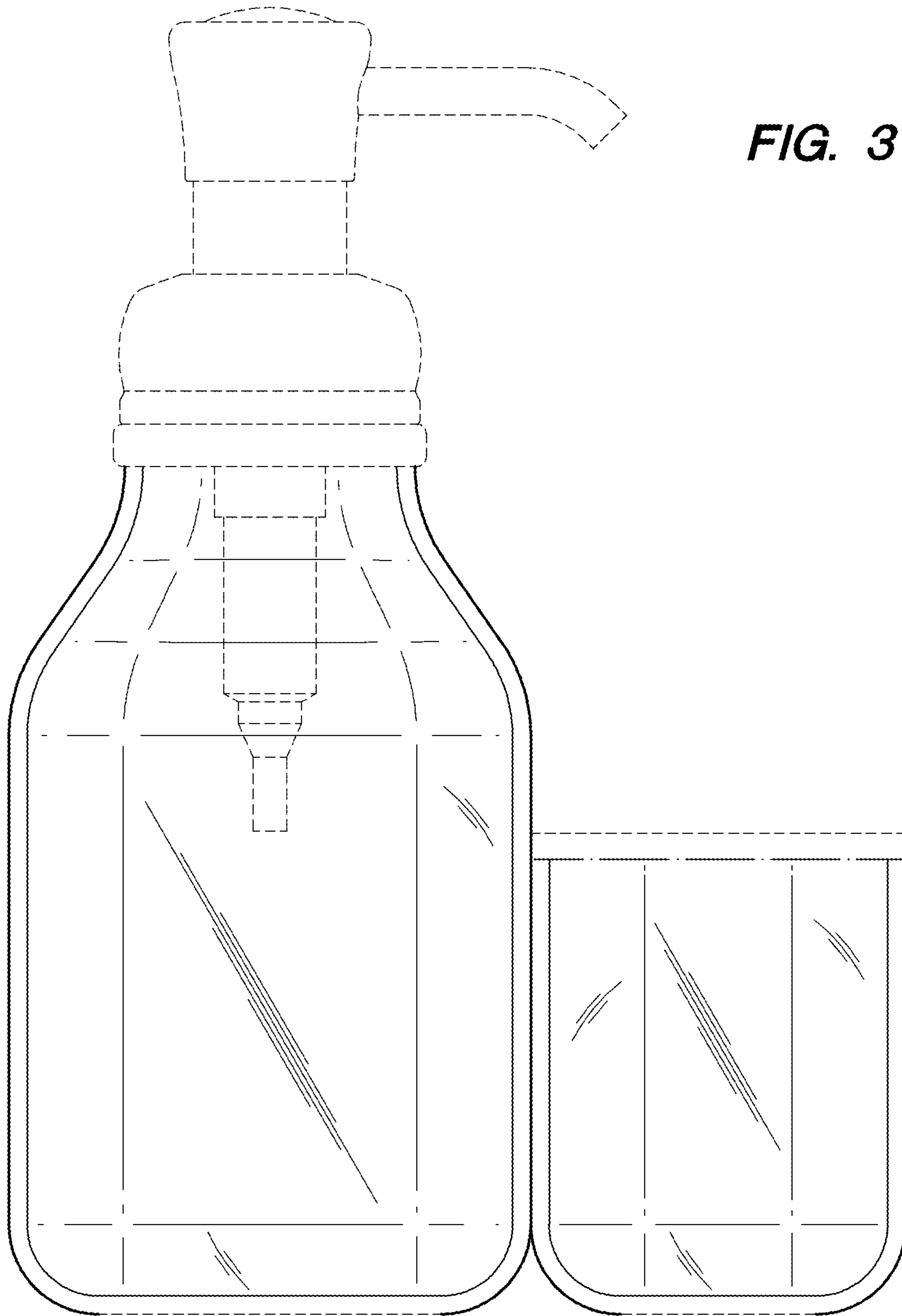




**FIG. 1**

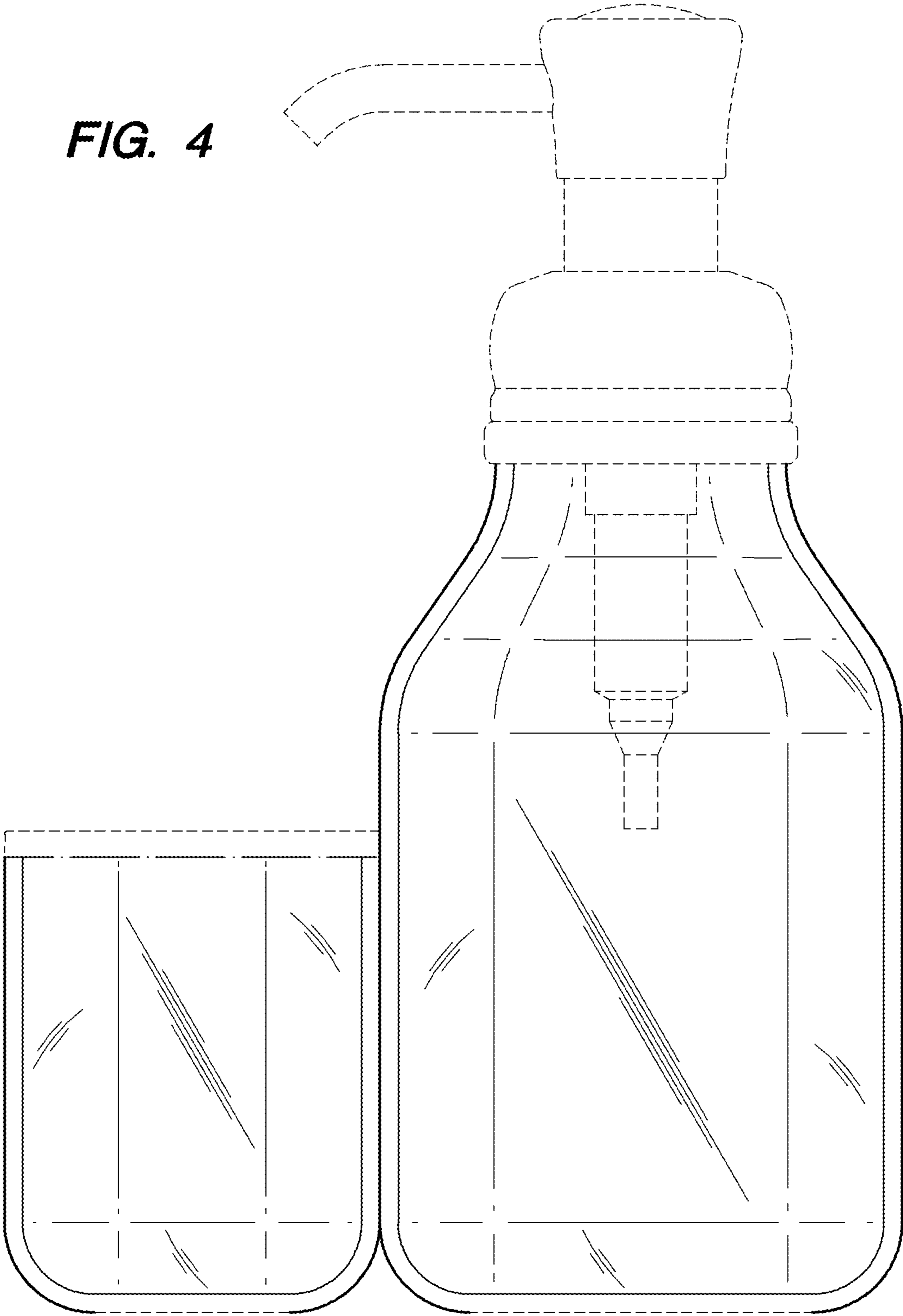


**FIG. 2**

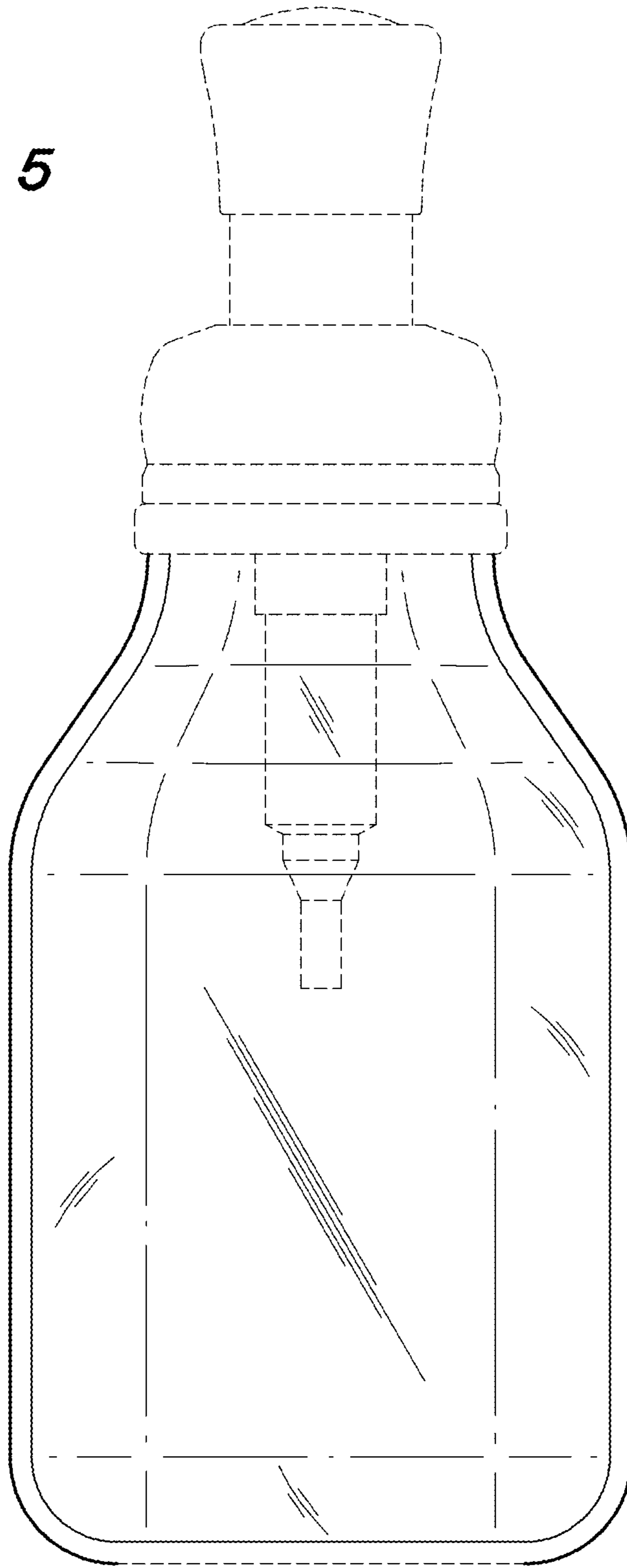


**FIG. 3**

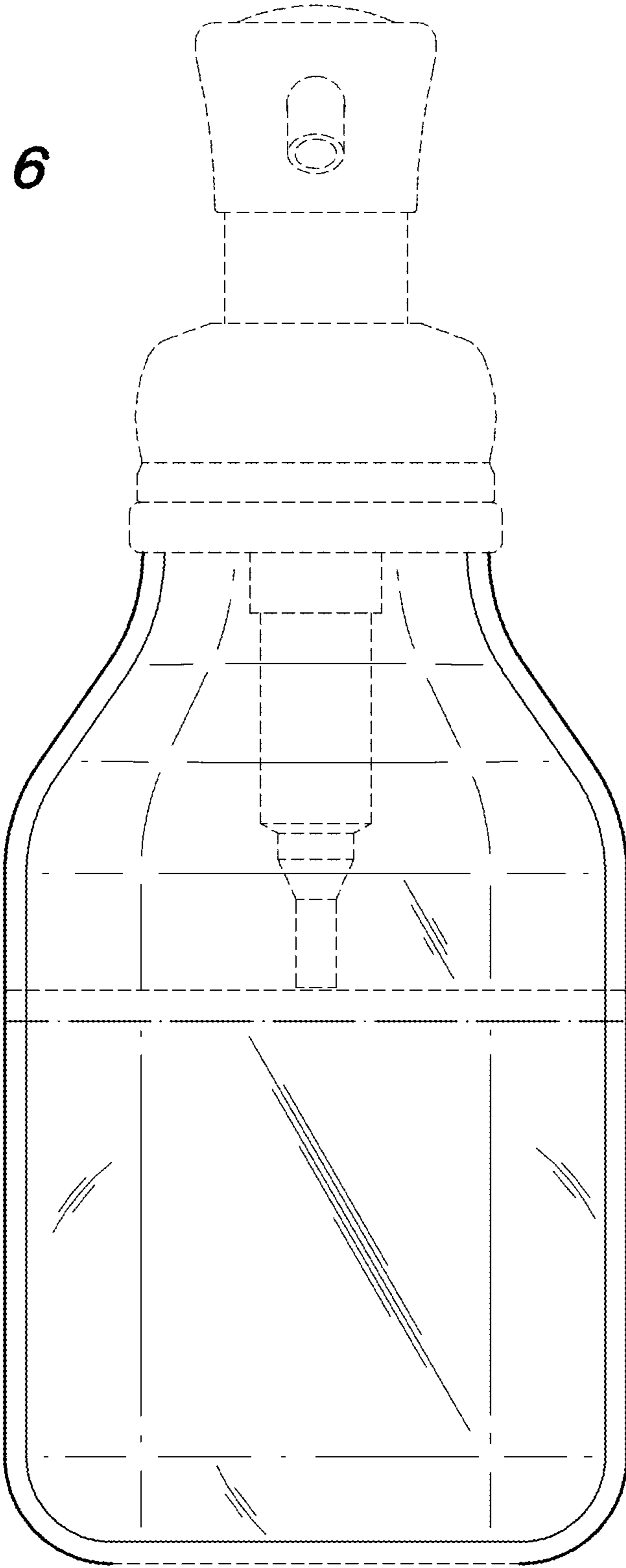
**FIG. 4**

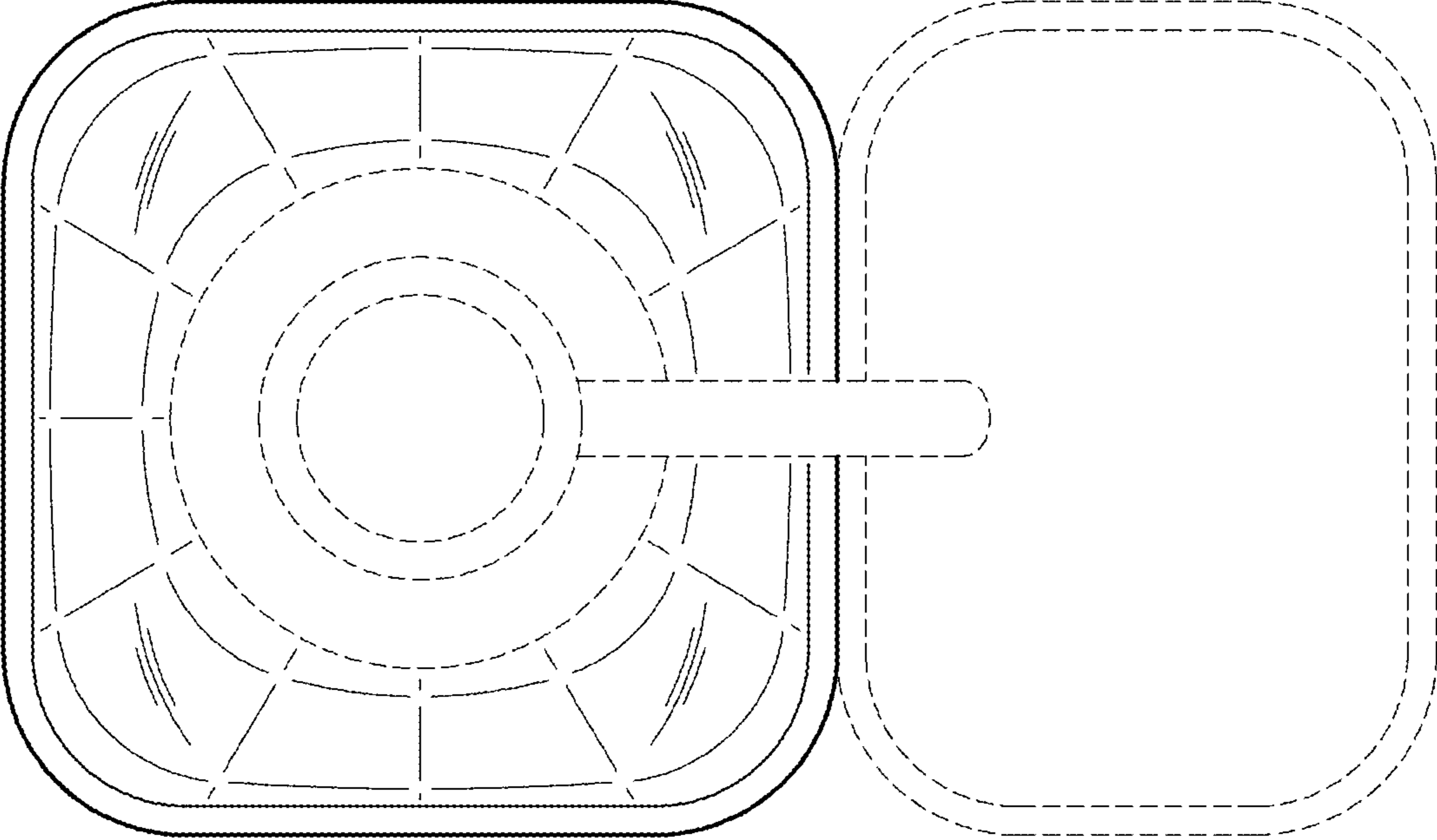


**FIG. 5**

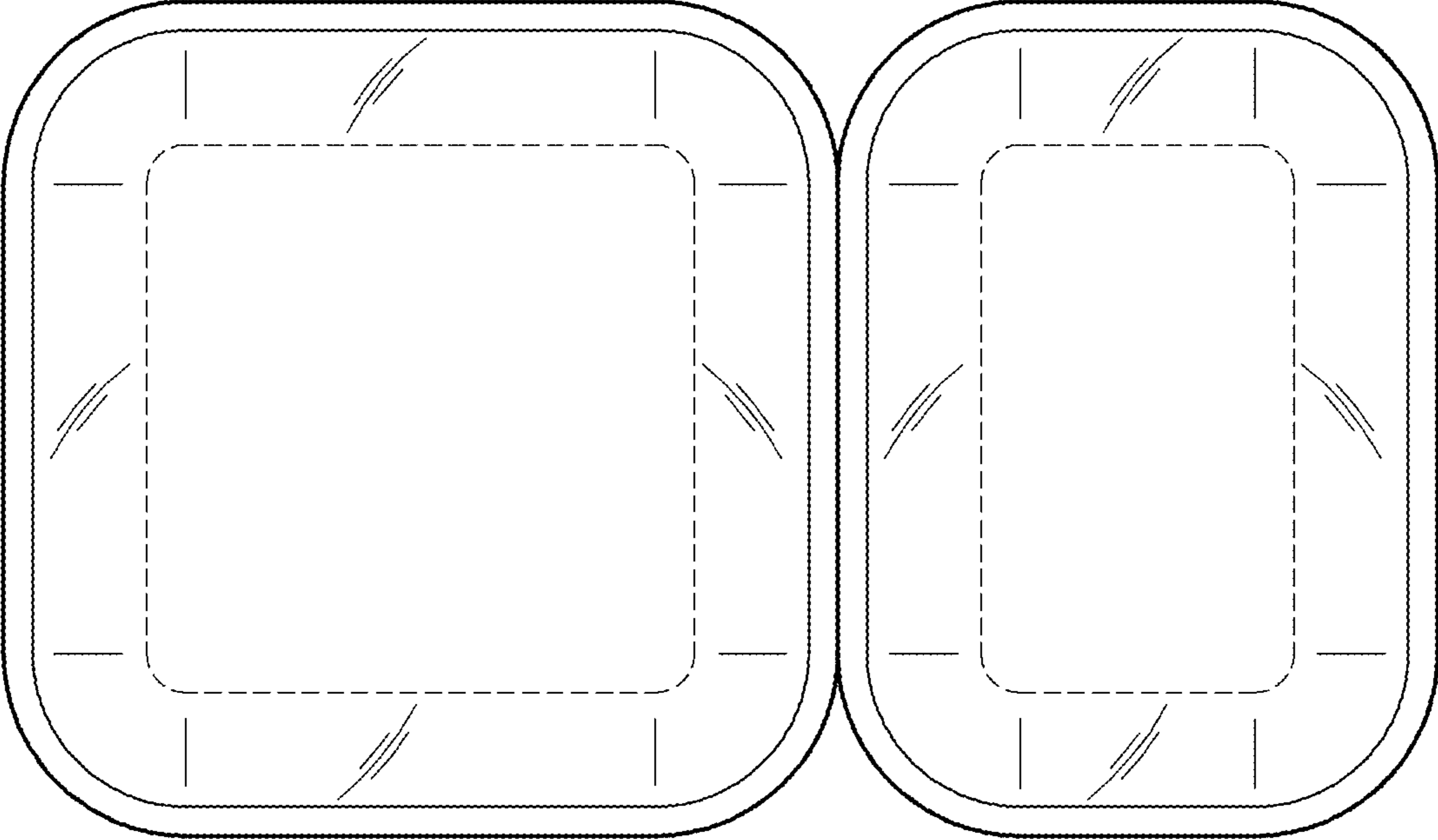


**FIG. 6**





**FIG. 7**



**FIG. 8**