



US00D919318S

(12) **United States Design Patent**
Hatcher

(10) **Patent No.:** **US D919,318 S**

(45) **Date of Patent:** **** May 18, 2021**

(54) **STORAGE CASE**

(71) Applicant: **Winston Products LLC**, Cleveland,
OH (US)

(72) Inventor: **Troy Hatcher**, Bay Village, OH (US)

(73) Assignee: **WINSTON PRODUCTS LLC**,
Cleveland, OH (US)

(**) Term: **15 Years**

(21) Appl. No.: **29/700,125**

(22) Filed: **Jul. 31, 2019**

(51) **LOC (13) Cl.** **06-06**

(52) **U.S. Cl.**
USPC **D6/512**

(58) **Field of Classification Search**
USPC D6/512, 672, 675, 675.1, 675.4, 678,
D6/678.1, 678.2, 673, 436, 449, 466, 470,
D6/474, 477, 478, 479, 630; 211/42,
211/44-45, 48, 50, 90.01, 133.1, 41.14,
211/43, 205; 312/117-119, 278-279, 7.1,
312/7.2, 9.1, 111, 249.6, 249.8, 249.13;
108/59, 108, 161; D3/318
CPC A47B 63/00; A47B 96/02; A47B 43/00;
A47B 49/00
See application file for complete search history.

(56) **References Cited**

U.S. PATENT DOCUMENTS

D451,309 S * 12/2001 Riga D6/672
D488,338 S * 4/2004 Nelson D6/512

D595,517 S * 7/2009 Fiori D6/657
D723,844 S * 3/2015 Hawkins D6/678
D744,773 S * 12/2015 Yoon D6/678
D797,477 S * 9/2017 Horsky D6/675.4
D862,885 S * 10/2019 Breeden, III D3/318
D864,625 S * 10/2019 Rockwell D6/675
D904,785 S * 12/2020 Hatcher D6/512
D904,807 S * 12/2020 Khan D6/675.1

* cited by examiner

Primary Examiner — Mark Booker

(74) *Attorney, Agent, or Firm* — Tucker Ellis LLP

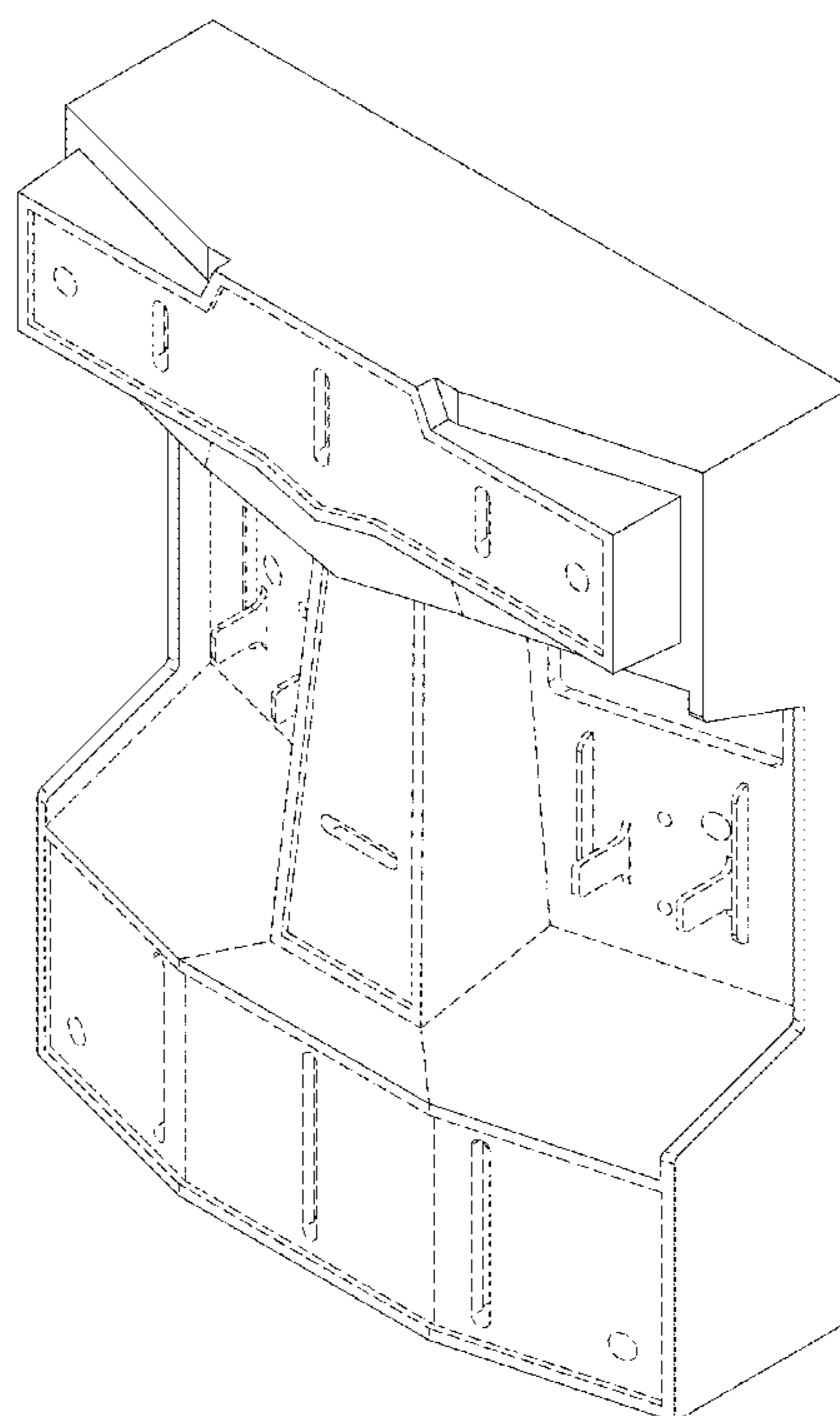
(57) **CLAIM**

The ornamental design for a storage case, as shown and described.

DESCRIPTION

FIG. 1 is a perspective view of a storage case showing my new design;
FIG. 2 is a front view thereof;
FIG. 3 is a rear view thereof;
FIG. 4 is a top view thereof;
FIG. 5 is a bottom view thereof;
FIG. 6 is a left side view thereof; and,
FIG. 7 is a right side view thereof.
The broken lines show portions of the design that form no part of the claimed design.

1 Claim, 5 Drawing Sheets



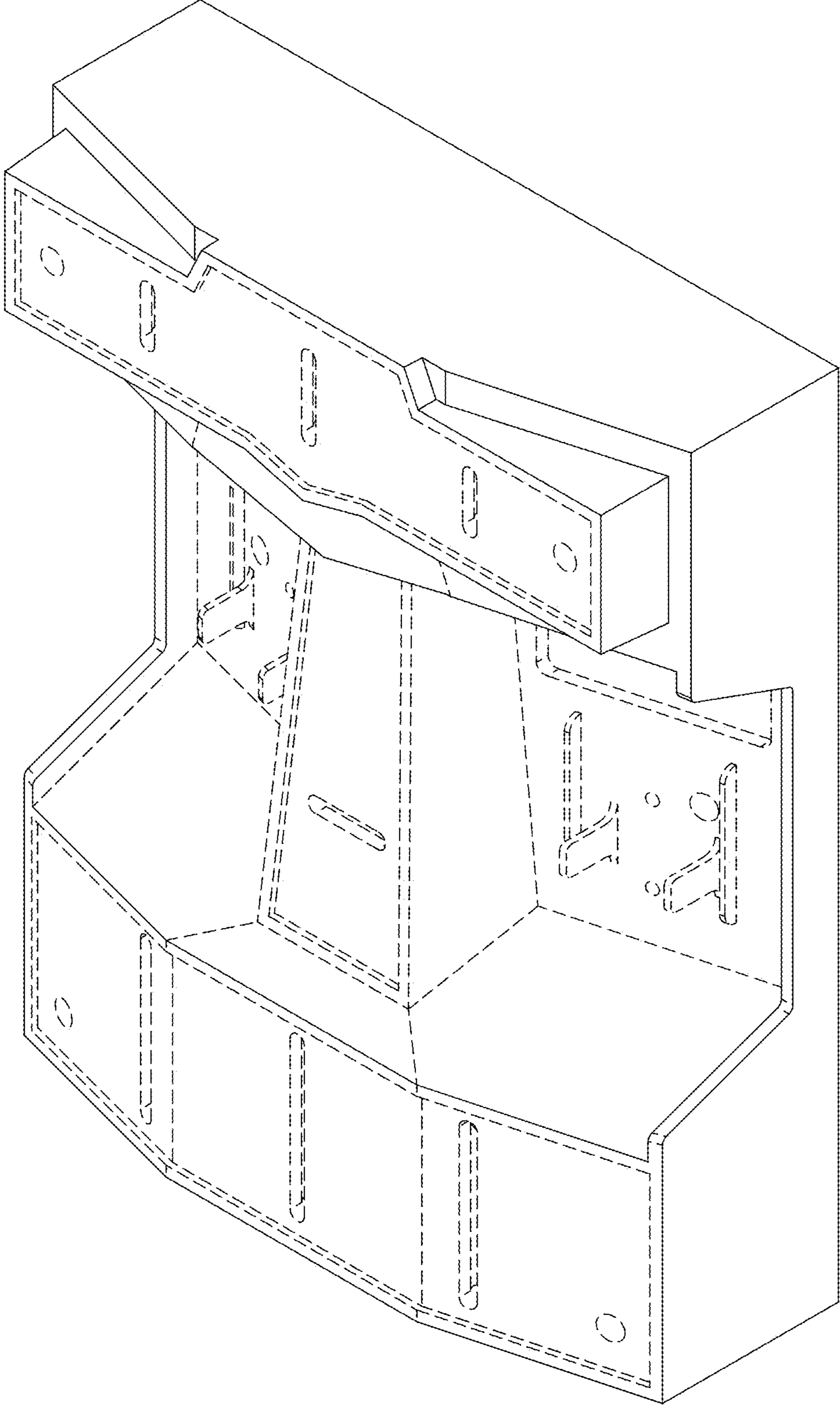


FIG. 1

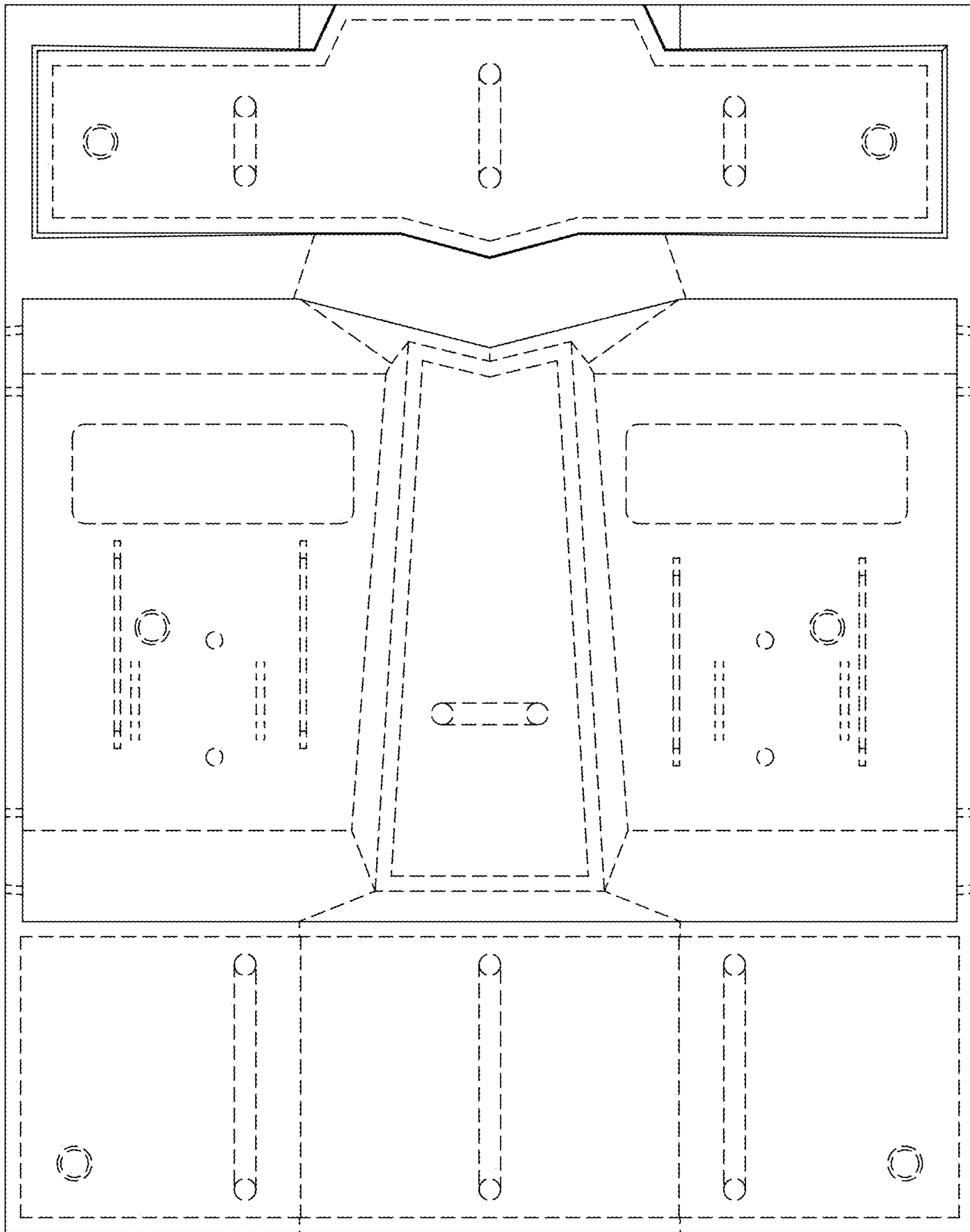


FIG. 2

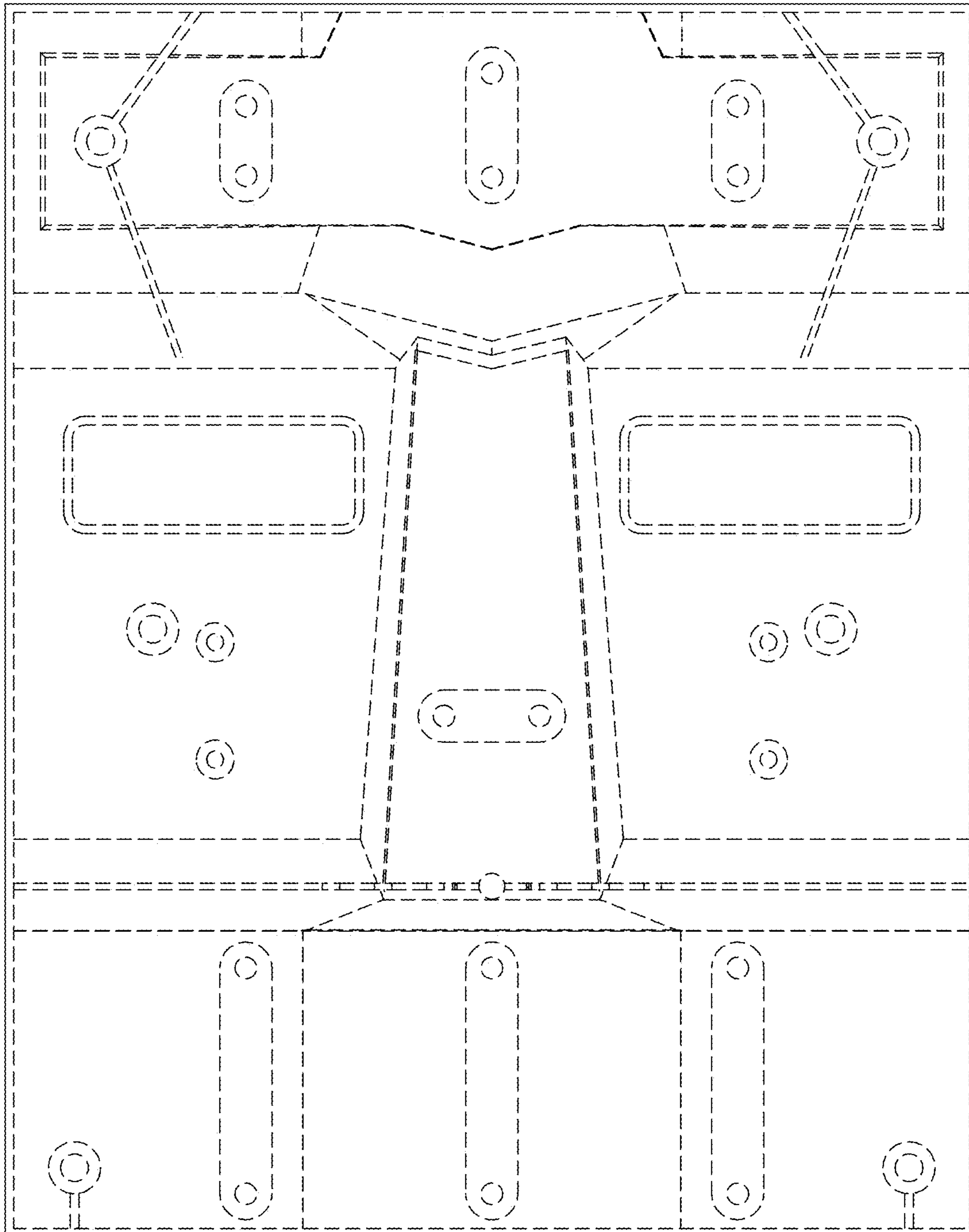


FIG. 3

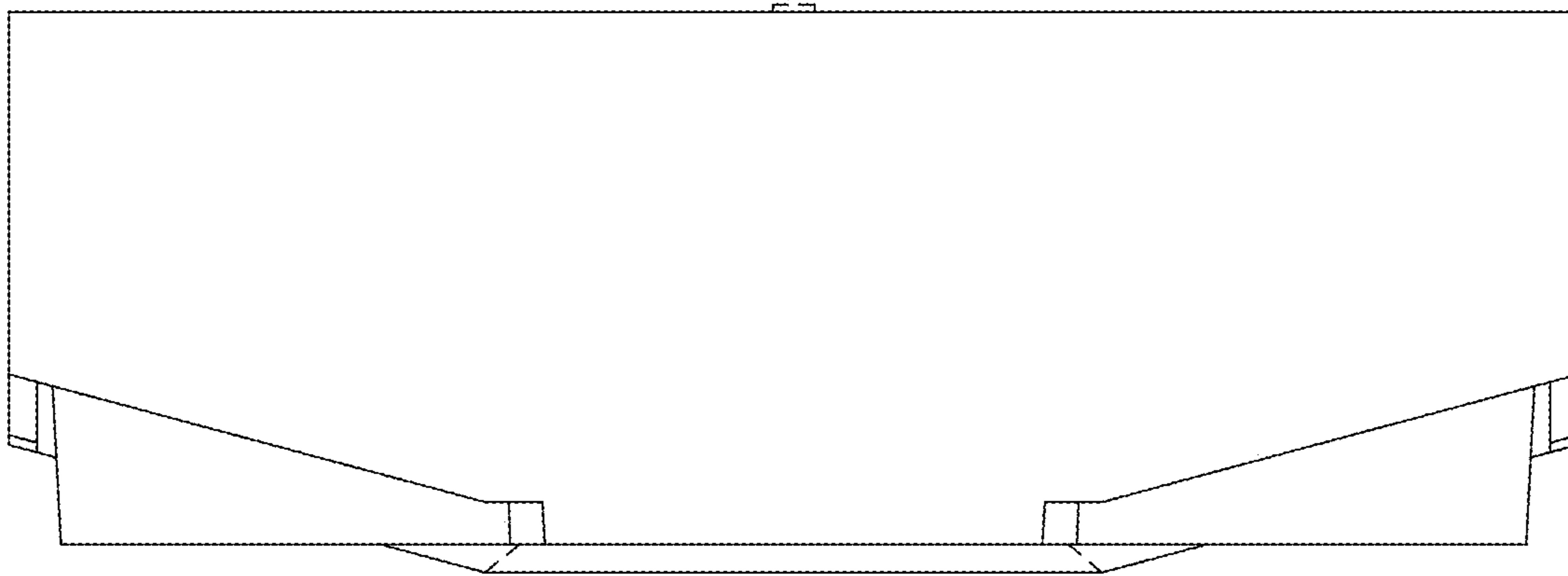


FIG. 4

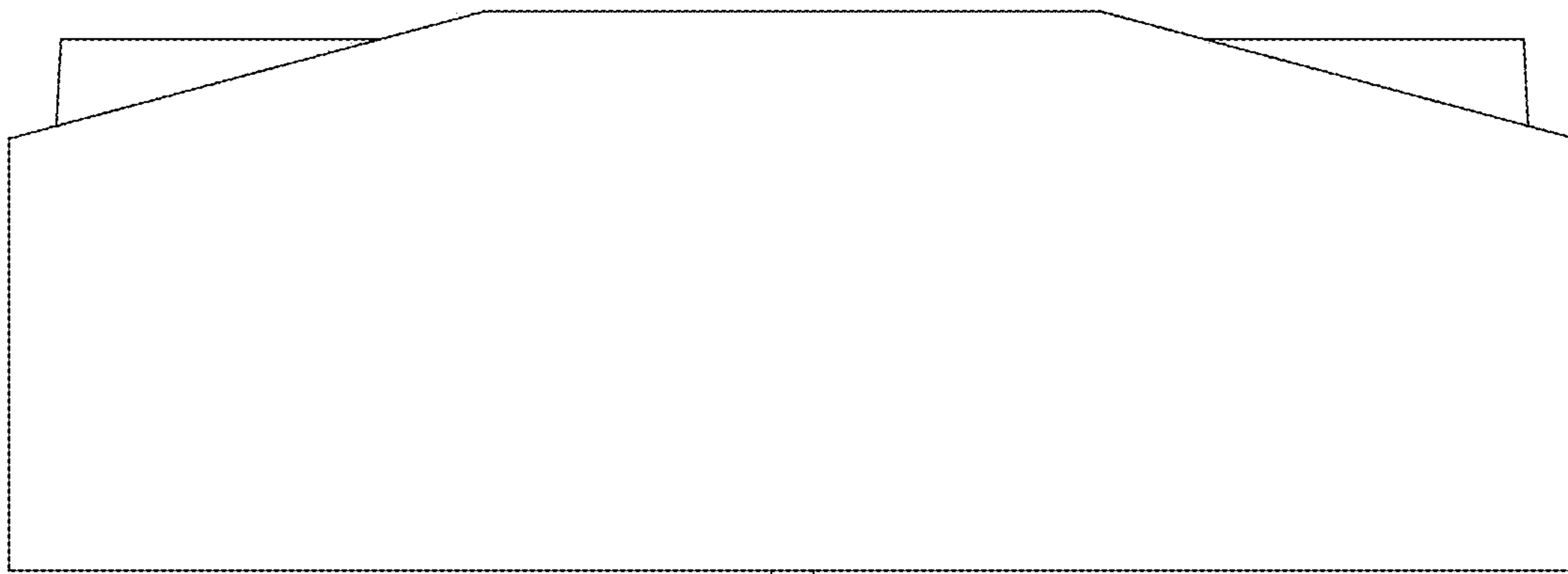


FIG. 5

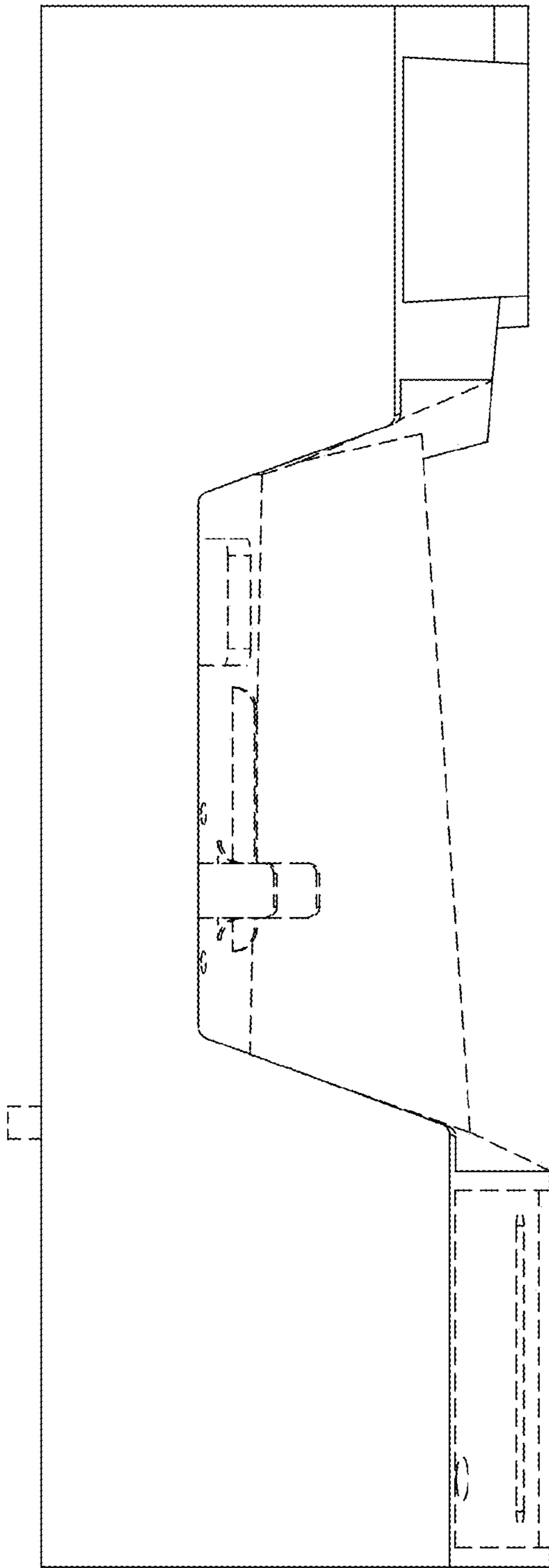


FIG. 6

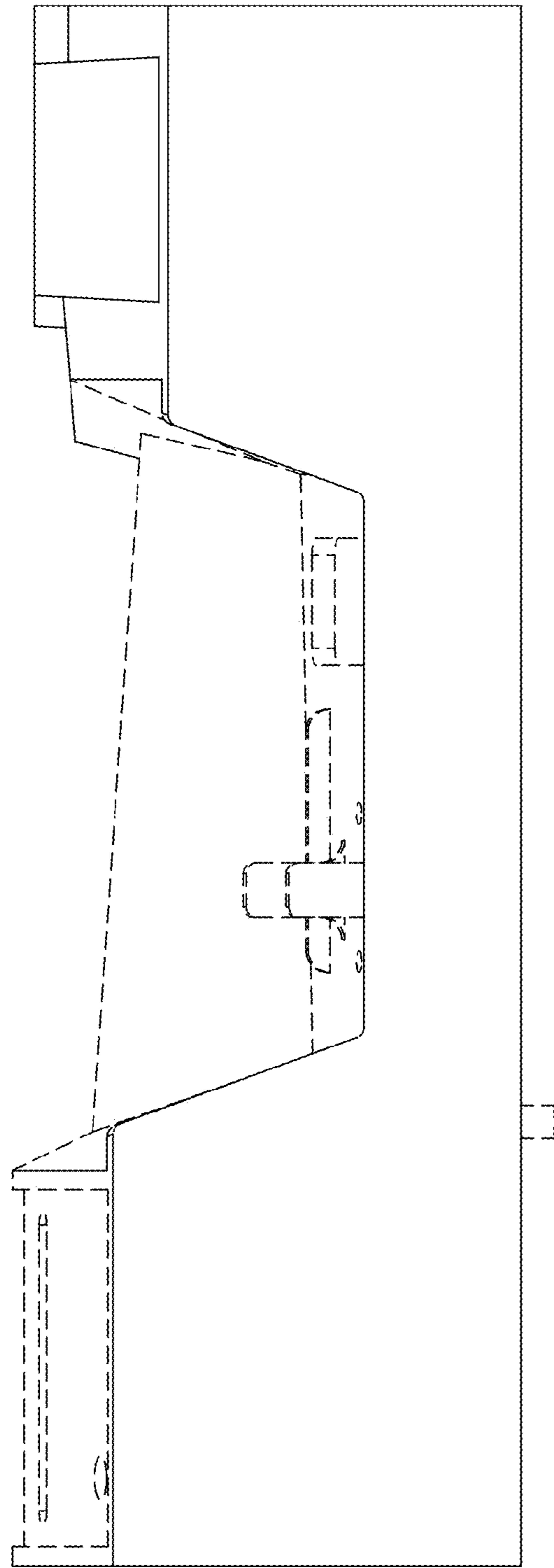


FIG. 7