



US00D919316S

(12) **United States Design Patent** (10) **Patent No.:** **US D919,316 S**  
**Florez et al.** (45) **Date of Patent:** **\*\* May 18, 2021**

(54) **ARTICLE OF FURNITURE**

22/986; B60R 22/914; B60R 22/995;  
A47B 83/02; A47B 83/023; A47B  
83/024; A47B 85/04

(71) Applicant: **Haworth, Inc.**, Holland, MI (US)

See application file for complete search history.

(72) Inventors: **Carlos Manuel Martinez Florez**, New York, NY (US); **Juana Vasquez-Armstrong**, New York, NY (US); **Daniel Charles-Koch West**, Grand Rapids, MI (US); **Stephen Joseph Simpson**, Grand Rapids, MI (US); **Nicolai Czumaj-Bront**, Grand Rapids, MI (US); **Peng Zhan**, Grand Rapids, MI (US); **Craig William Brekke**, Rockford, MI (US)

(56) **References Cited**

U.S. PATENT DOCUMENTS

D508,618 S *	8/2005	Mourgue .....	D6/334
D572,920 S *	7/2008	van Ierssel .....	D6/361
D814,810 S *	4/2018	Vance .....	D6/334
D845,019 S *	4/2019	Fredriksson .....	D6/371
D847,525 S *	5/2019	Smith .....	D6/361
D854,851 S *	7/2019	Smrstick .....	D6/381
D878,796 S *	3/2020	Gabbertas .....	D6/378

(Continued)

*Primary Examiner* — Kevin K Rudzinski

*Assistant Examiner* — Paul D Bohannon

(74) *Attorney, Agent, or Firm* — Warner Norcross + Judd LLP

(73) Assignee: **Haworth, Inc.**, Holland, MI (US)

(\*\*) Term: **15 Years**

(21) Appl. No.: **29/710,136**

(22) Filed: **Oct. 21, 2019**

(51) **LOC (13) Cl.** ..... **06-01**

(52) **U.S. Cl.**  
USPC ..... **D6/371**

(58) **Field of Classification Search**

USPC ..... D6/333, 334, 341, 348, 349, 350, 352, D6/353, 360, 364, 369, 370, 371, 373, D6/374, 375, 376, 377, 379, 380, 390, D6/677, 692, 700, 708, 708.16, 716, 366; D16/237; D21/412, 419, 521

CPC ..... A47C 1/124; A47C 3/34; A47C 4/028; A47C 4/02; A47C 5/12; A47C 5/125; A47C 7/506; A47C 9/007; A47C 13/005; A47C 13/023; A47C 31/113; A47C 3/00; A47C 4/08; A47C 4/00; A47C 7/70; A47C 7/405; A47C 13/00; B60R 2/0284; B60R 2/062; B60R 22/001; B60R 22/24; B60R 22/28; B60R 22/58; B60R 22/64; B60R 22/68; B60R 22/80; B60R 22/99; B60R 22/245; B60R 22/643; B60R 22/646; B60R 22/665; B60R 22/686; B60R 22/688; B60R 22/803; B60R

(57) **CLAIM**

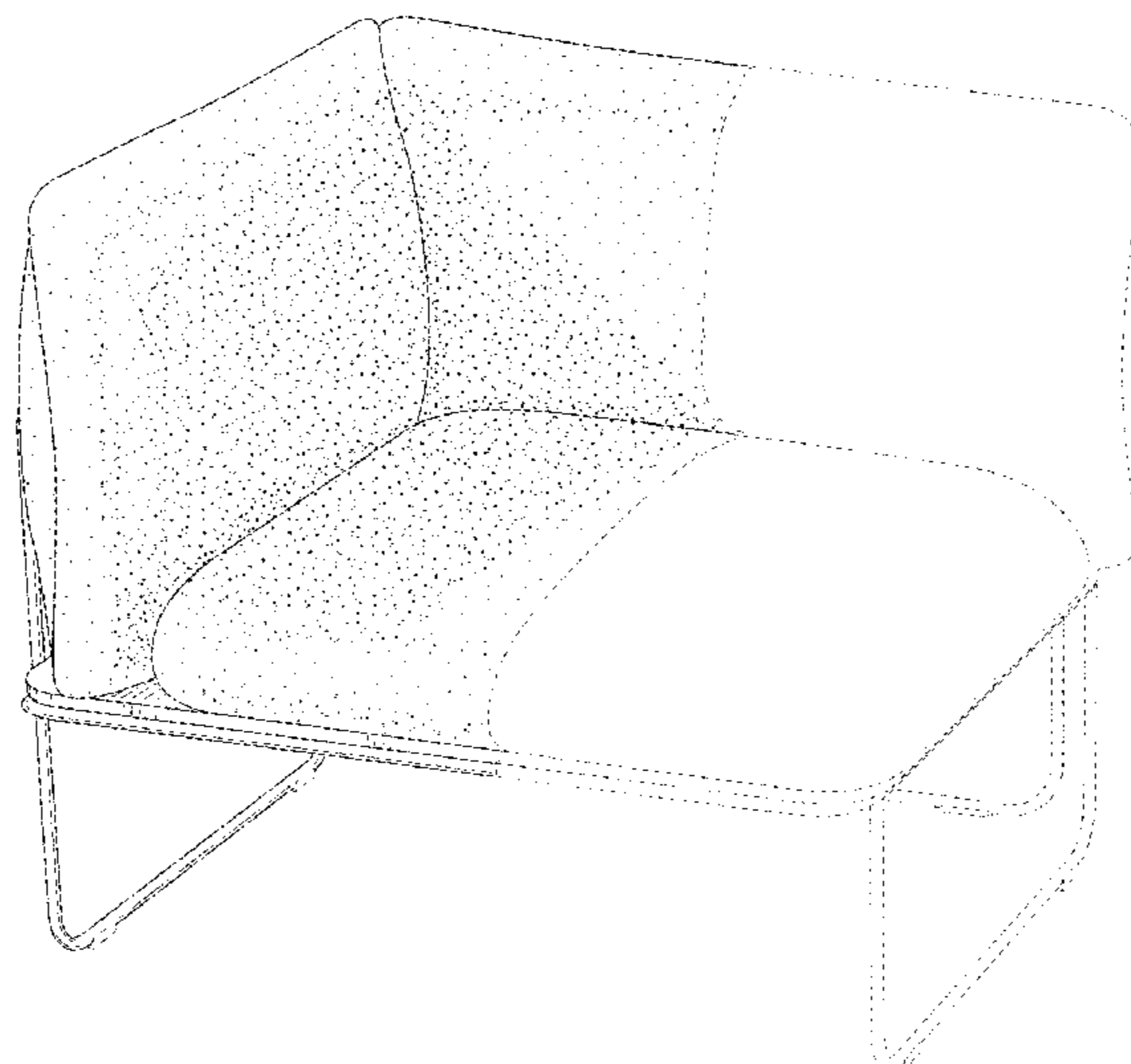
The ornamental design for an article of furniture, as shown and described.

**DESCRIPTION**

FIG. 1 is a front perspective view of an article of furniture embodying the new design;  
 FIG. 2 is a right side view thereof;  
 FIG. 3 is a left side view thereof;  
 FIG. 4 is a front view thereof;  
 FIG. 5 is a rear view thereof;  
 FIG. 6 is a top view thereof; and,  
 FIG. 7 is a bottom view thereof.

The broken lines shown in the drawings are for the purpose of illustrating environmental subject matter and form no part of the claimed design. Stipple shading is added to convey surface contouring; the stipple shading is not to be understood as conveying a particular surface finish.

**1 Claim, 7 Drawing Sheets**



(56)

**References Cited**

U.S. PATENT DOCUMENTS

D880,887 S *	4/2020	Gabbertas .....	D6/371
D883,684 S *	5/2020	Urquiola .....	D6/335
D885,067 S *	5/2020	Wilson .....	D6/334
D887,728 S *	6/2020	Urquiola .....	D6/335
D890,542 S *	7/2020	Bellini .....	D6/377
D895,339 S *	9/2020	Rottet .....	D6/717
D896,559 S *	9/2020	Rottet .....	D6/716.2
2020/0260876 A1 *	8/2020	Shi .....	A47C 7/407

\* cited by examiner

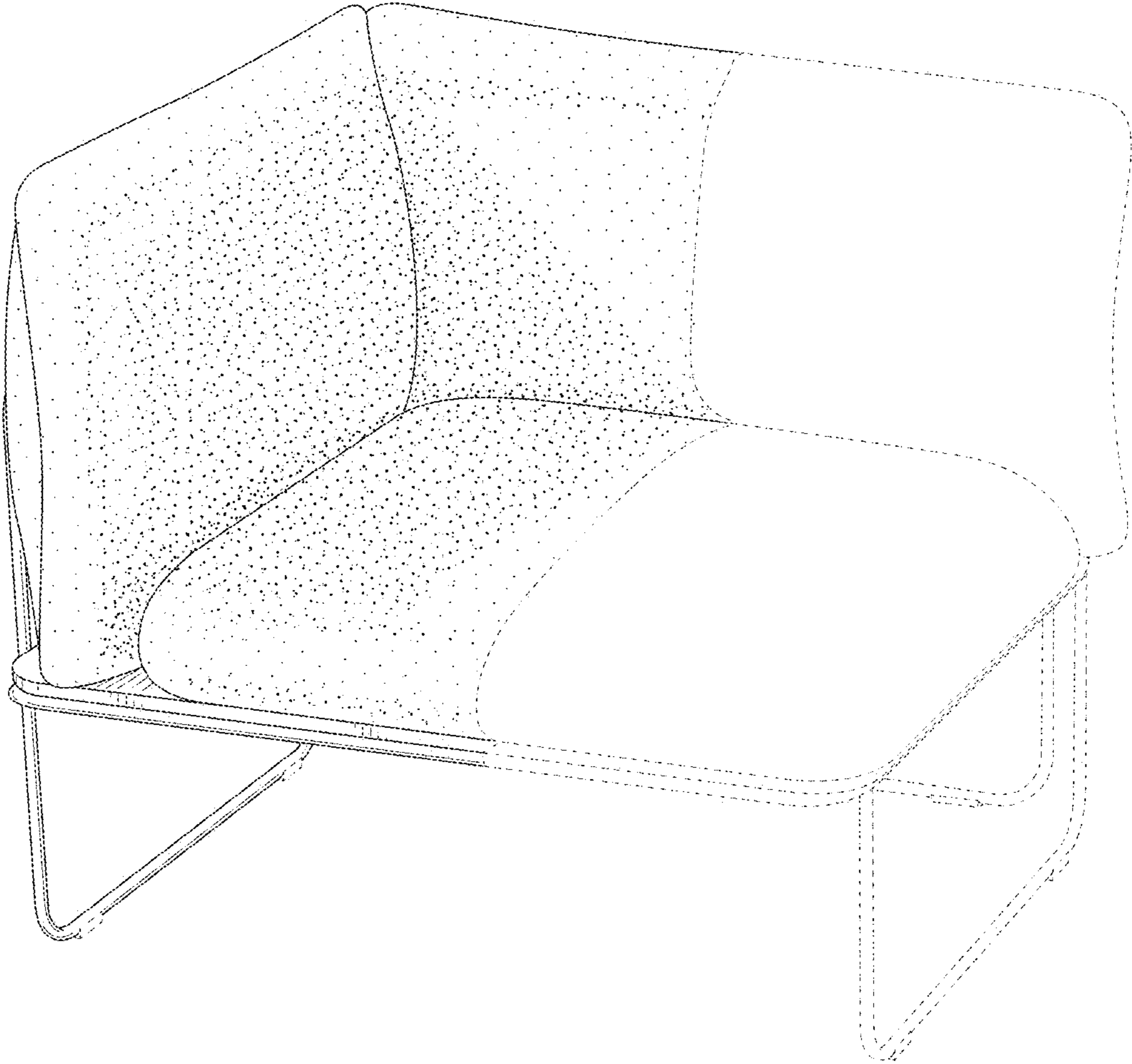


Fig. 1

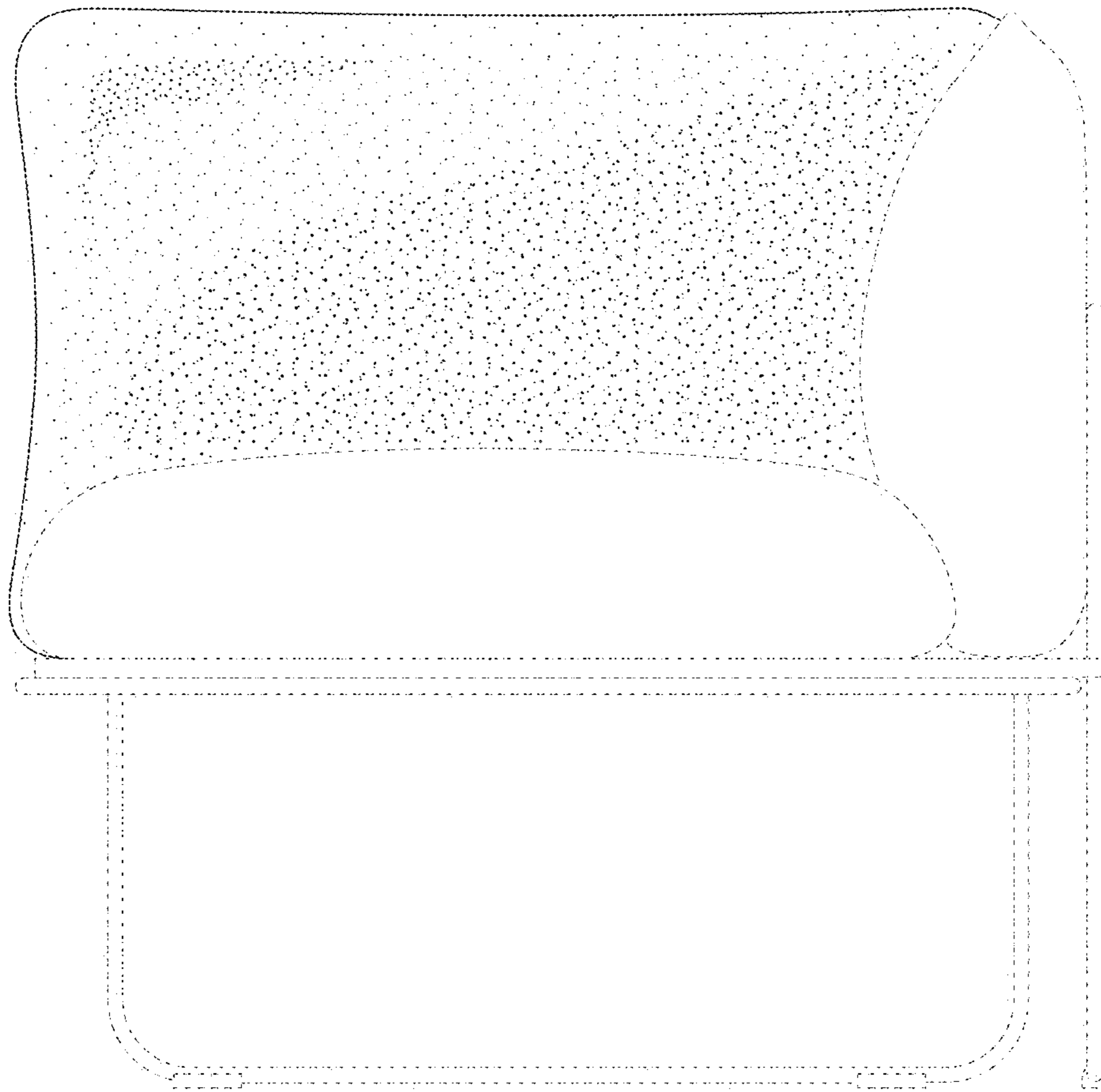


Fig. 2

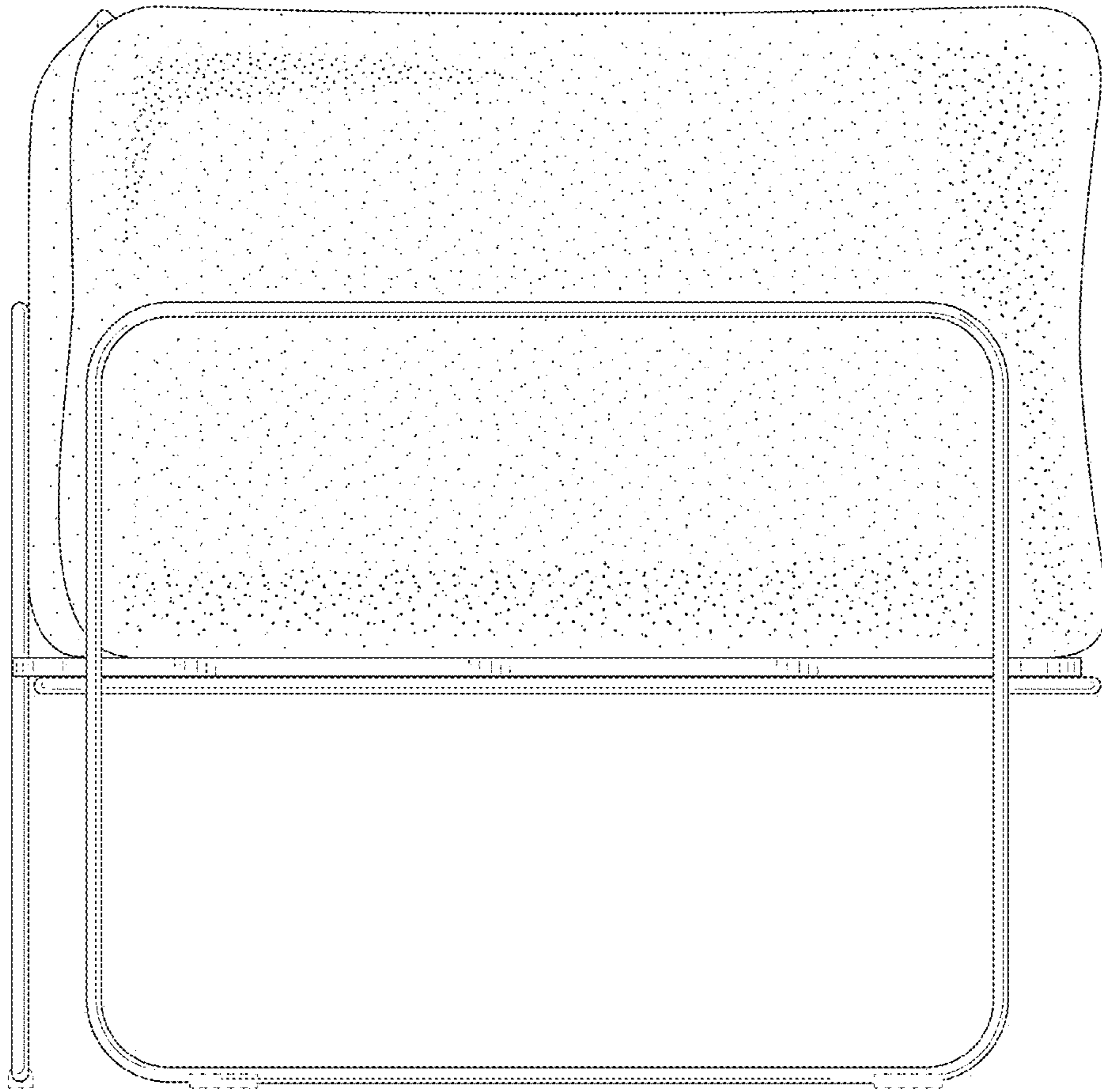


Fig. 3

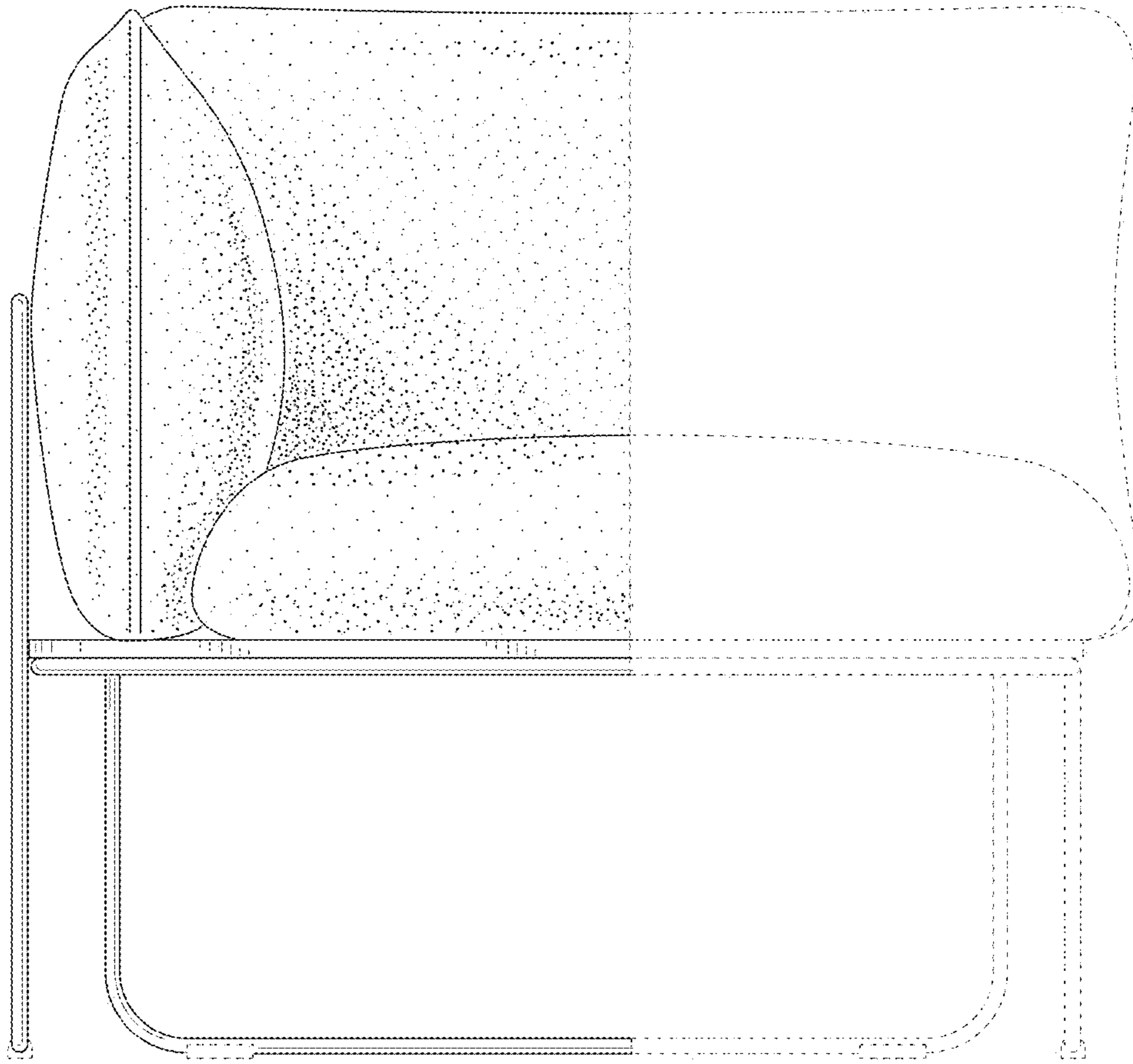


Fig. 4

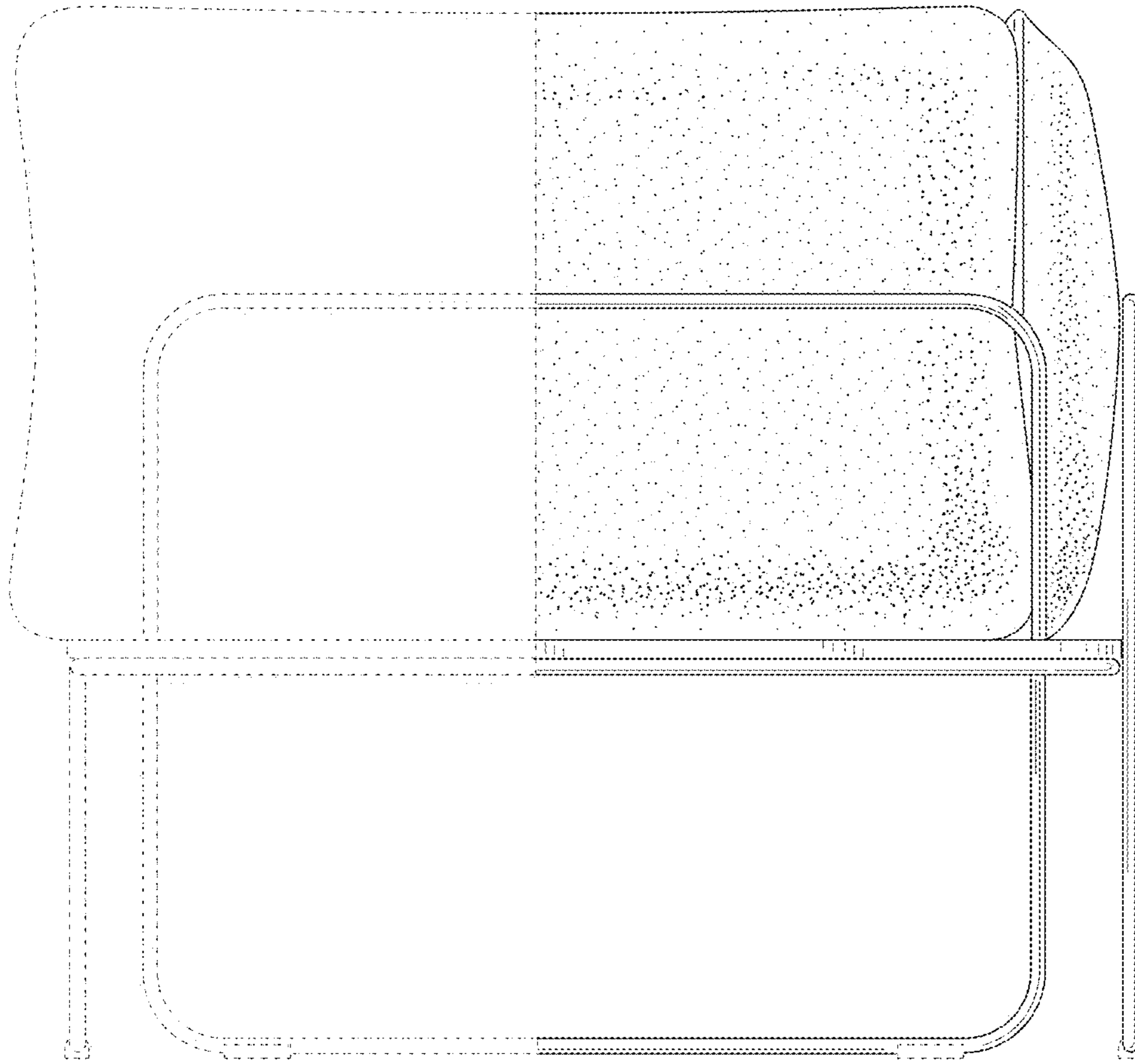


Fig. 5

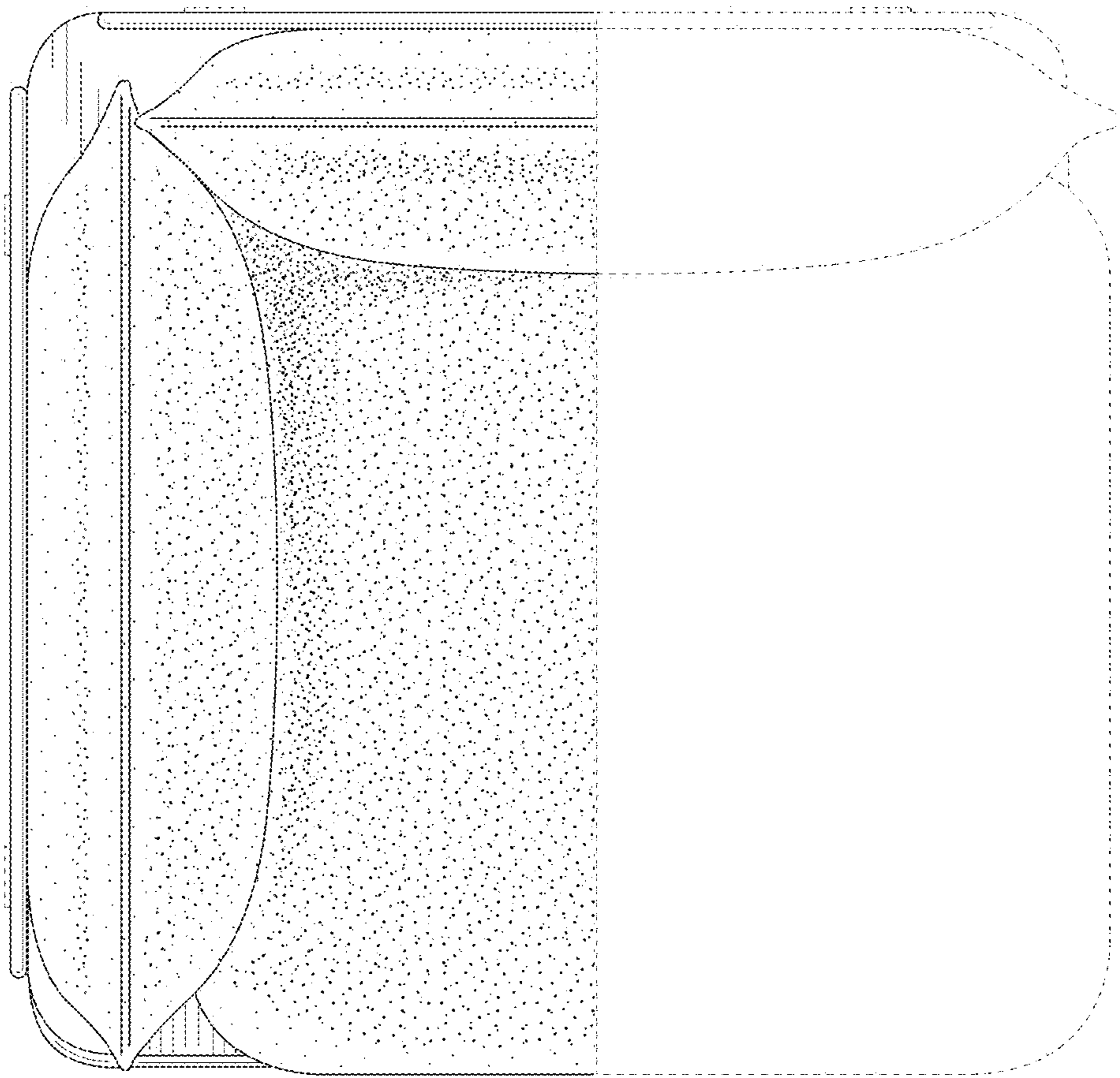


Fig. 6



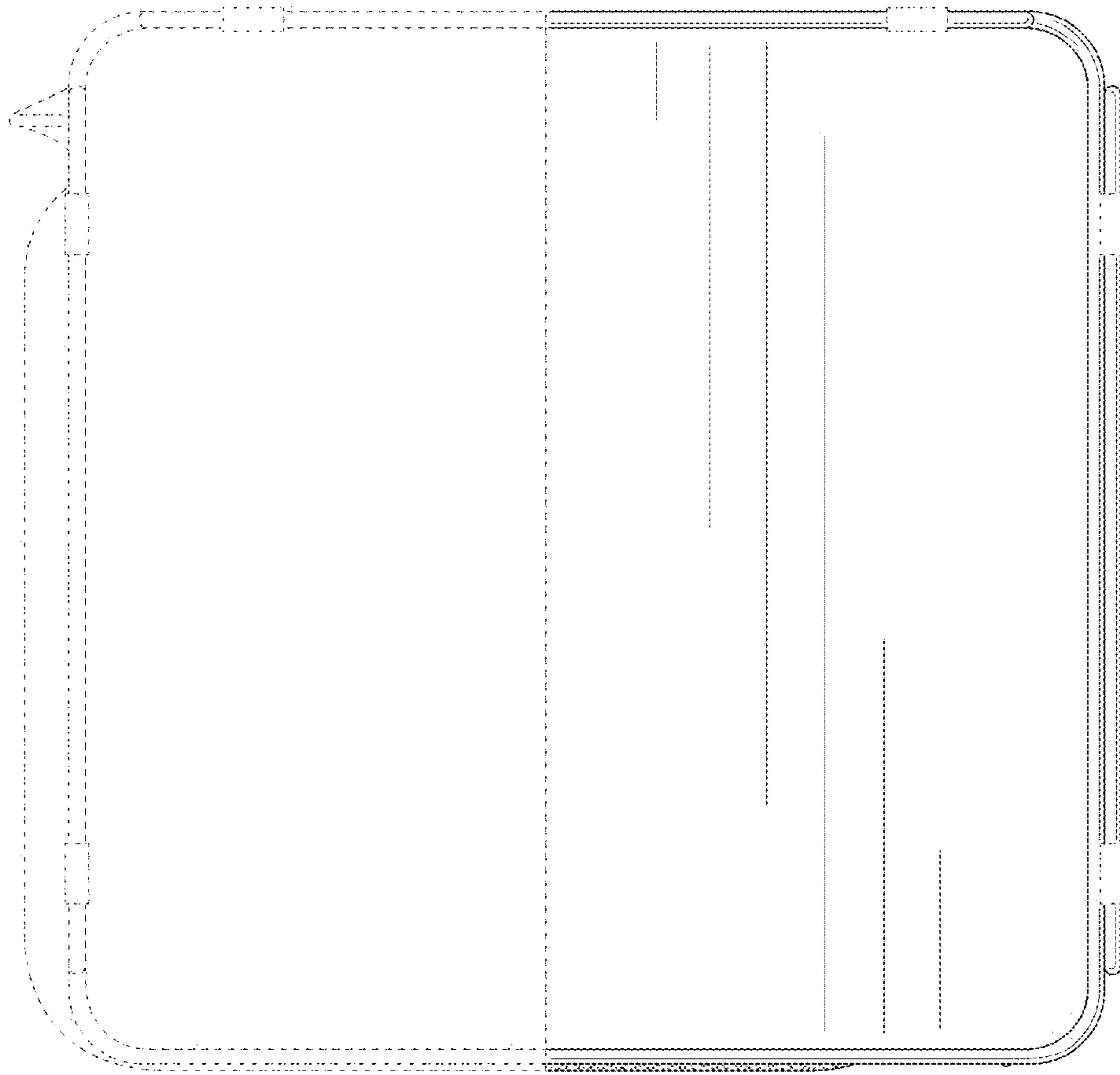


Fig. 7