



US00D919314S

(12) **United States Design Patent** (10) **Patent No.:** **US D919,314 S**  
**Stanners et al.** (45) **Date of Patent:** **\*\* May 18, 2021**

(54) **SEAT ACCESSORY**

(71) Applicant: **Retro Vehicle Enhancement Limited,**  
Auckland (NZ)

(72) Inventors: **David John Stanners,** Auckland (NZ);  
**Mark William Stanners,** Auckland  
(NZ)

(73) Assignee: **Retro Vehicle Enhancement Limited,**  
Auckland (NZ)

(\*\*) Term: **15 Years**

(21) Appl. No.: **29/682,052**

(22) Filed: **Mar. 1, 2019**

(30) **Foreign Application Priority Data**

Sep. 20, 2018 (NZ) ..... 424982  
Sep. 20, 2018 (NZ) ..... 424983

(51) **LOC (13) Cl.** ..... **06-01**

(52) **U.S. Cl.**  
USPC ..... **D6/356**

(58) **Field of Classification Search**

USPC ..... D6/334, 356, 360, 369, 370, 374, 376,  
D6/716, 716.1, 716.2, 716.3, 716.4,  
D6/716.5, 716.7, 366, 335, 342, 364, 375;  
D21/521, 533, 548; D12/133; D14/172  
CPC .... A61H 2201/0149; B60N 2/06; B60N 2/20;  
B60N 2/22; B60N 2/58; B60N 2/68;  
B60N 2/80; B60N 2/643; B60N 2/888;  
B60N 2/859; B60N 2/1615; B60N  
2/7035; B60N 2/42745; B60N 2002/0272;  
B60N 2205/35; B60N 2/44; B60N 2/56;  
B60N 2/206; B60N 2/366; B60N 2/933;  
B60N 2/2222; B60N 2/2245; B60N  
2/686; B60N 2/688; F16B 2/08; F16B  
2/803; F16B 45/00

See application file for complete search history.

(56) **References Cited**

U.S. PATENT DOCUMENTS

D535,485 S *	1/2007	Moburg	.....	D6/356
D574,619 S *	8/2008	Maezono	.....	D6/356
D576,413 S *	9/2008	Arnaout	.....	D6/356
D587,025 S *	2/2009	Juraschek	.....	D6/356
D591,068 S *	4/2009	Corradi	.....	D6/356
D592,413 S *	5/2009	Higashida	.....	D6/356
D656,751 S *	4/2012	Levorato	.....	D6/356
D695,535 S *	12/2013	Moburg	.....	D6/356

(Continued)

*Primary Examiner* — Kevin K Rudzinski

*Assistant Examiner* — Paul D Bohannon

(74) *Attorney, Agent, or Firm* — Nixon & Vanderhye P.C.

(57) **CLAIM**

The ornamental design for a seat accessory, as shown and described.

**DESCRIPTION**

FIG. 1 is a front perspective view of the seat accessory showing a first embodiment of our new ornamental design in the environment of a sample vehicle seat;

FIG. 2 is a front view thereof;

FIG. 3 is a rear view thereof;

FIG. 4 is a top view thereof;

FIG. 5 is a left side view thereof;

FIG. 6 is a right side view thereof;

FIG. 7 is a front perspective view of the seat accessory showing a second embodiment of our new ornamental design in isolation;

FIG. 8 is a front view thereof;

FIG. 9 is a rear view thereof;

FIG. 10 is a top view thereof;

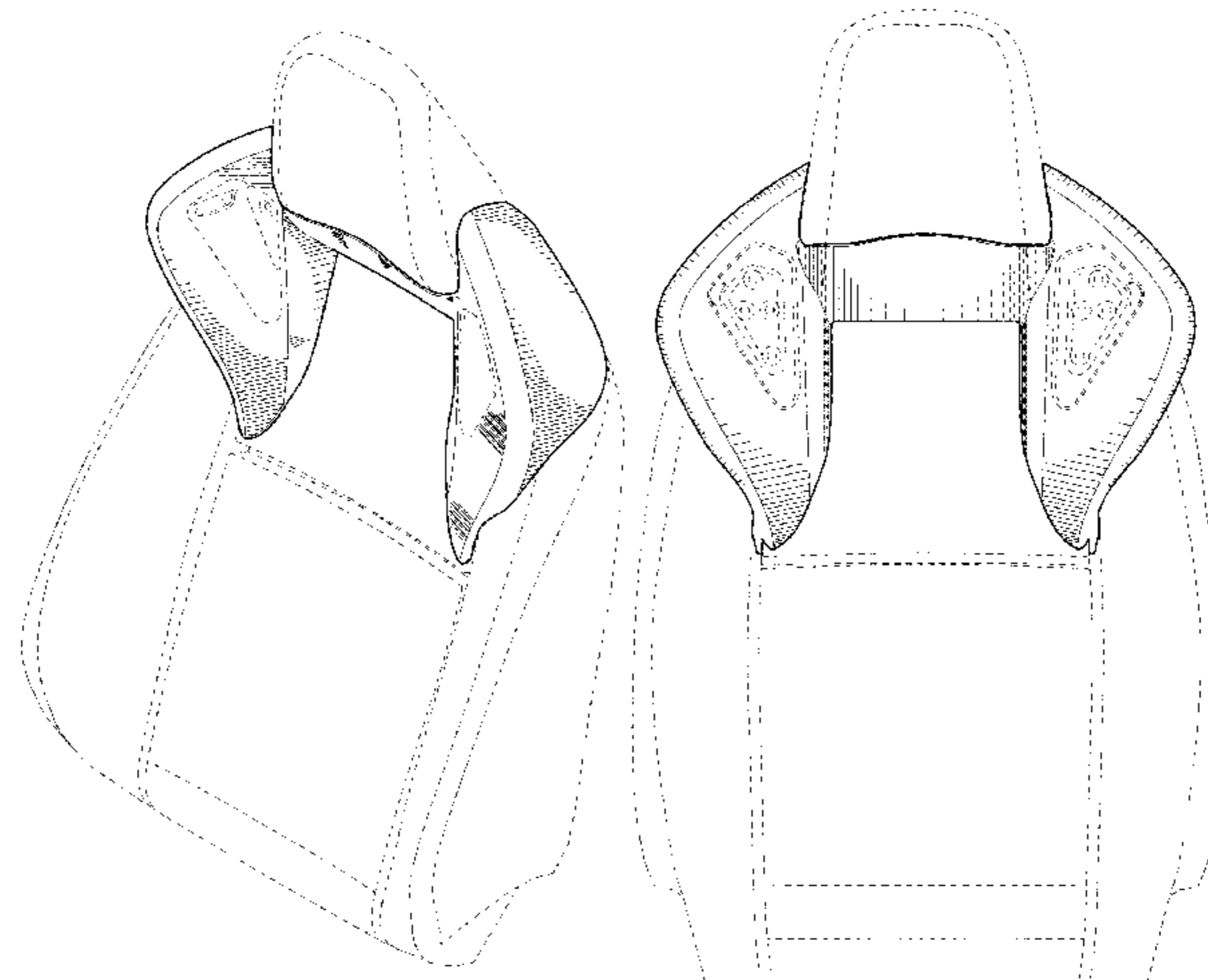
FIG. 11 is a bottom view thereof;

FIG. 12 is a left side view thereof; and,

FIG. 13 is a right side view thereof.

The broken lines shown in the drawings are for the purpose of illustrating environmental subject matter and form no part of the claimed design.

**1 Claim, 10 Drawing Sheets**



(56)

**References Cited**

U.S. PATENT DOCUMENTS

D723,821 S	*	3/2015	Kondou .....	D6/356
D792,726 S	*	7/2017	Patir .....	D6/356
D808,185 S	*	1/2018	Kondo .....	D6/356
D829,457 S	*	10/2018	Iida .....	D6/356
D878,785 S	*	3/2020	Qi .....	D6/366

\* cited by examiner

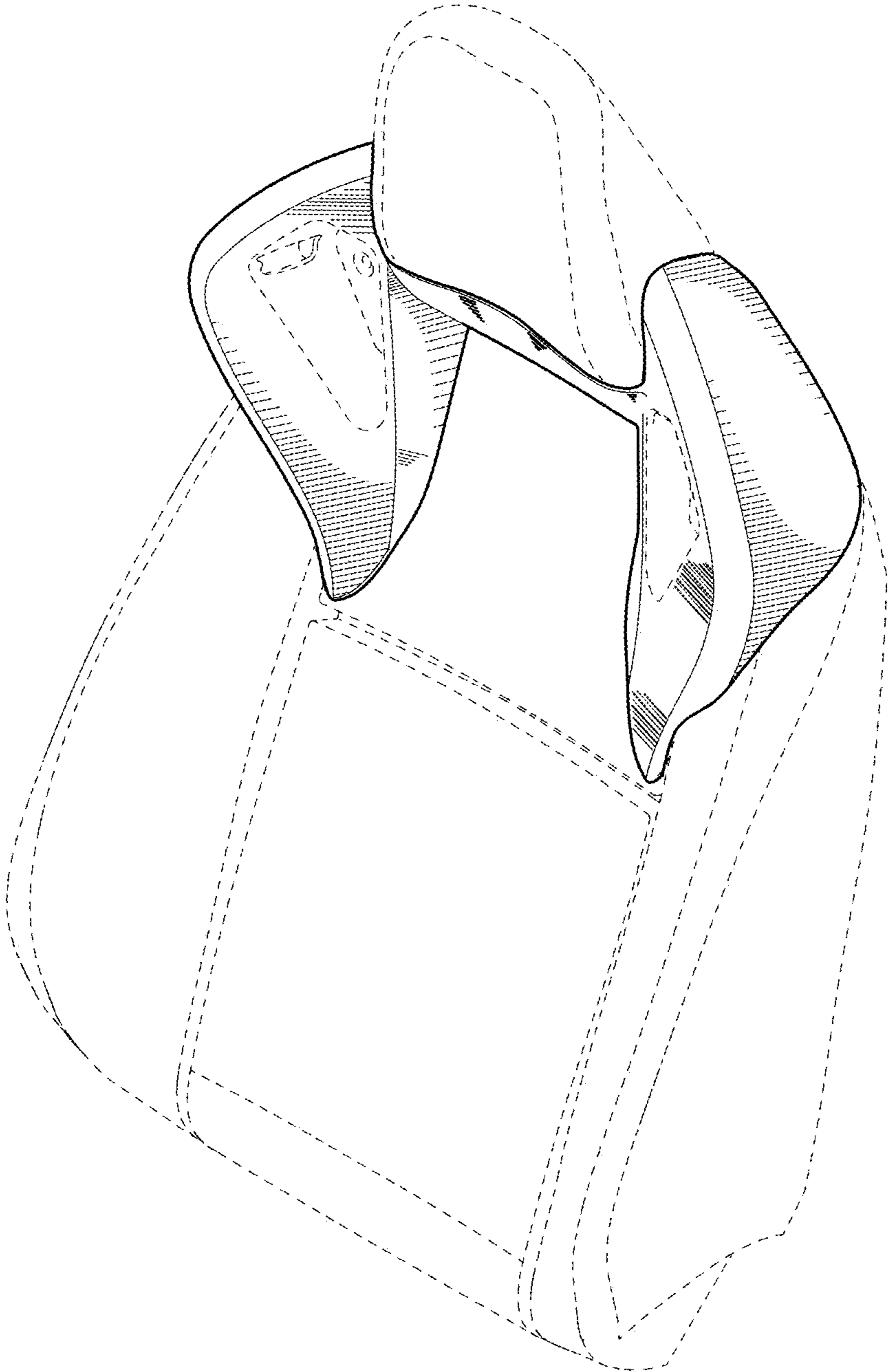


FIG. 1

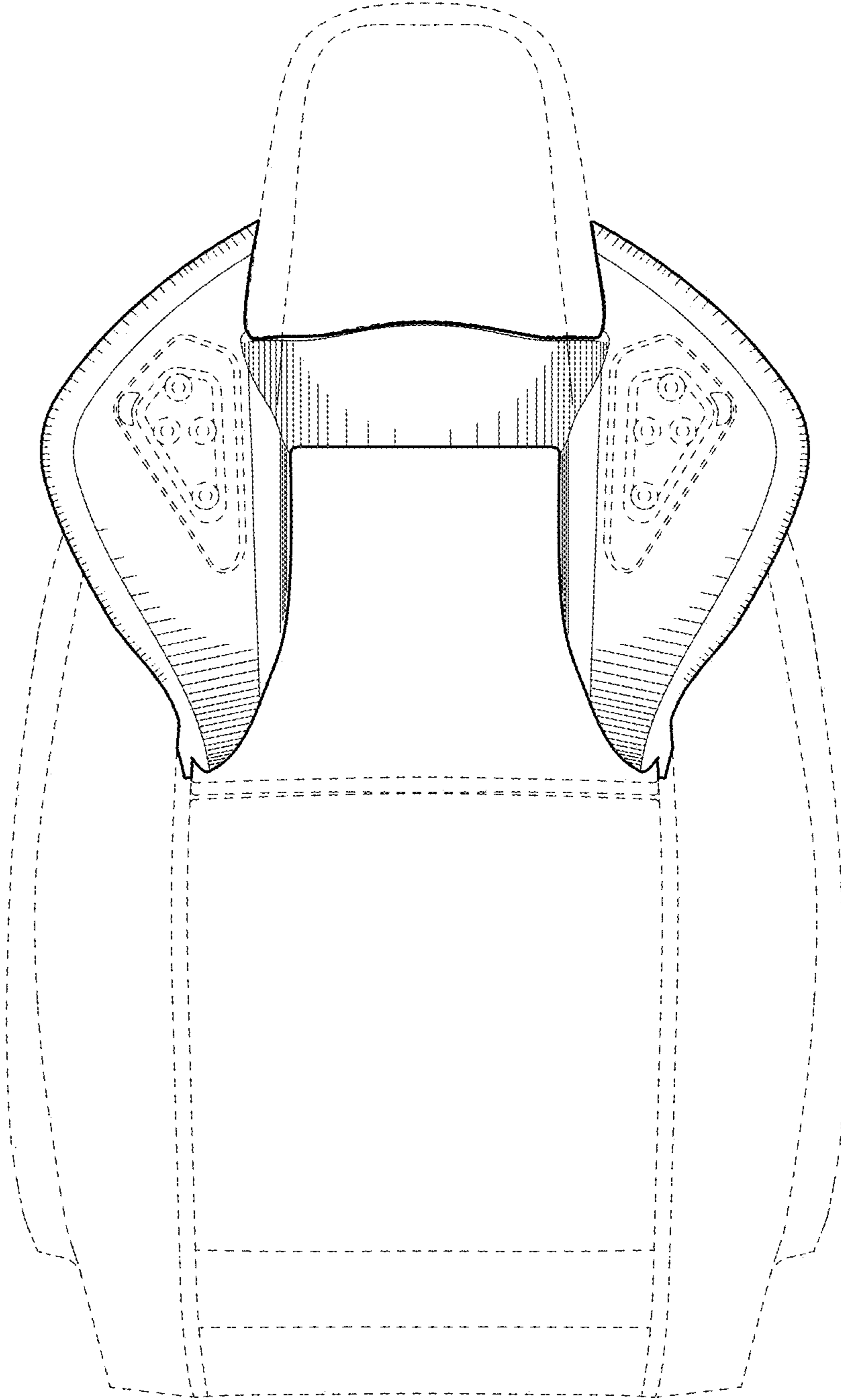


FIG. 2

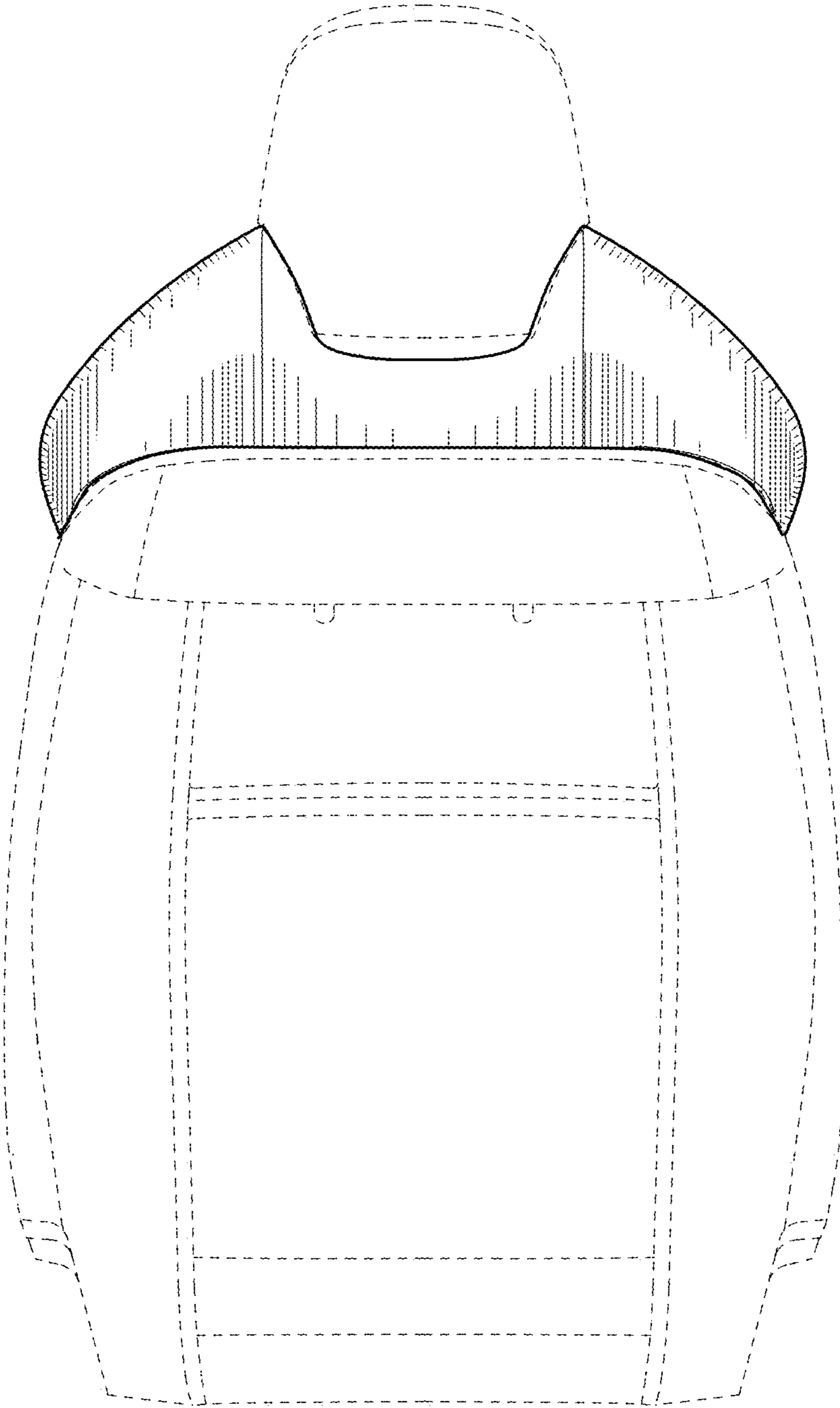


FIG. 3

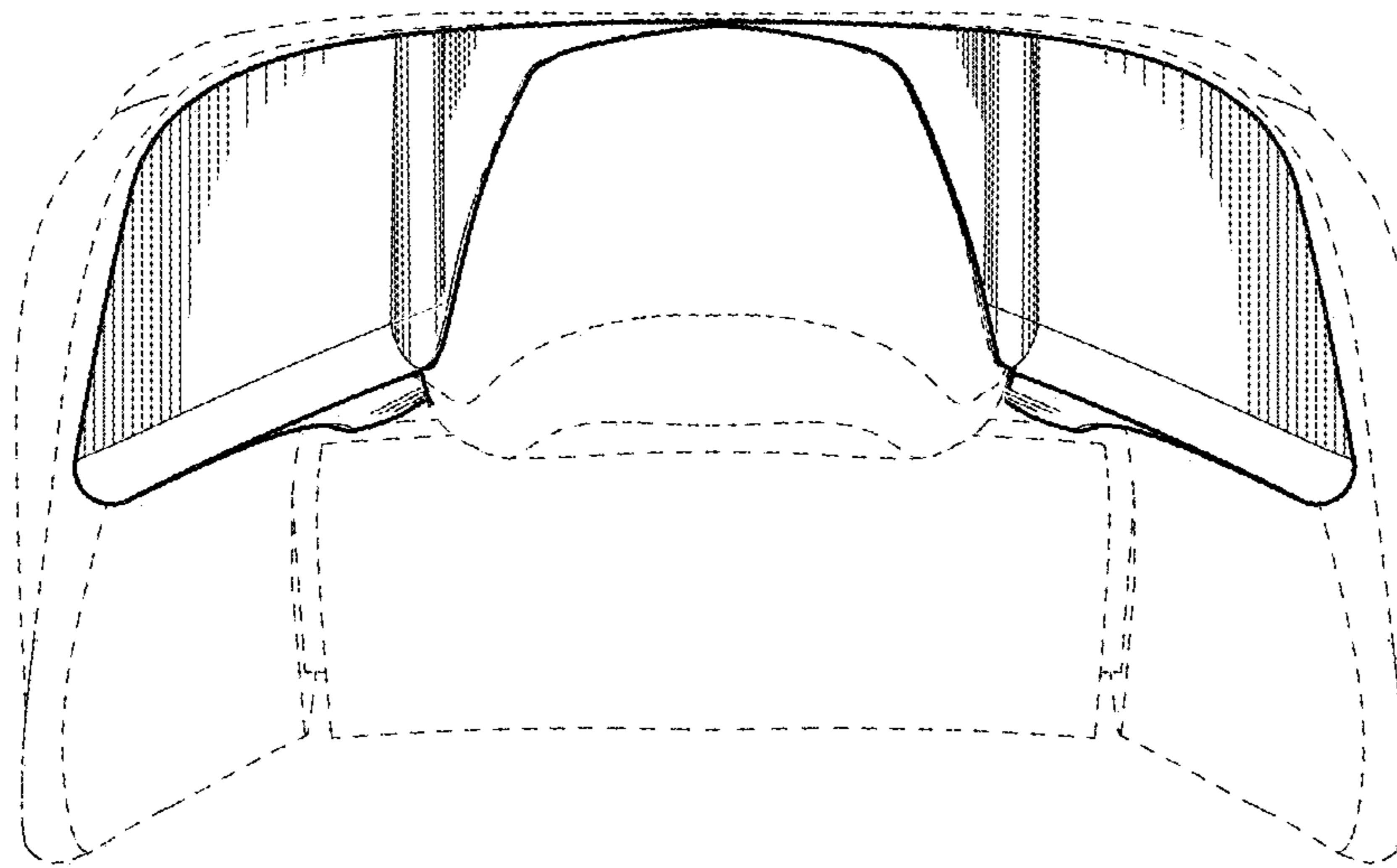


FIG. 4



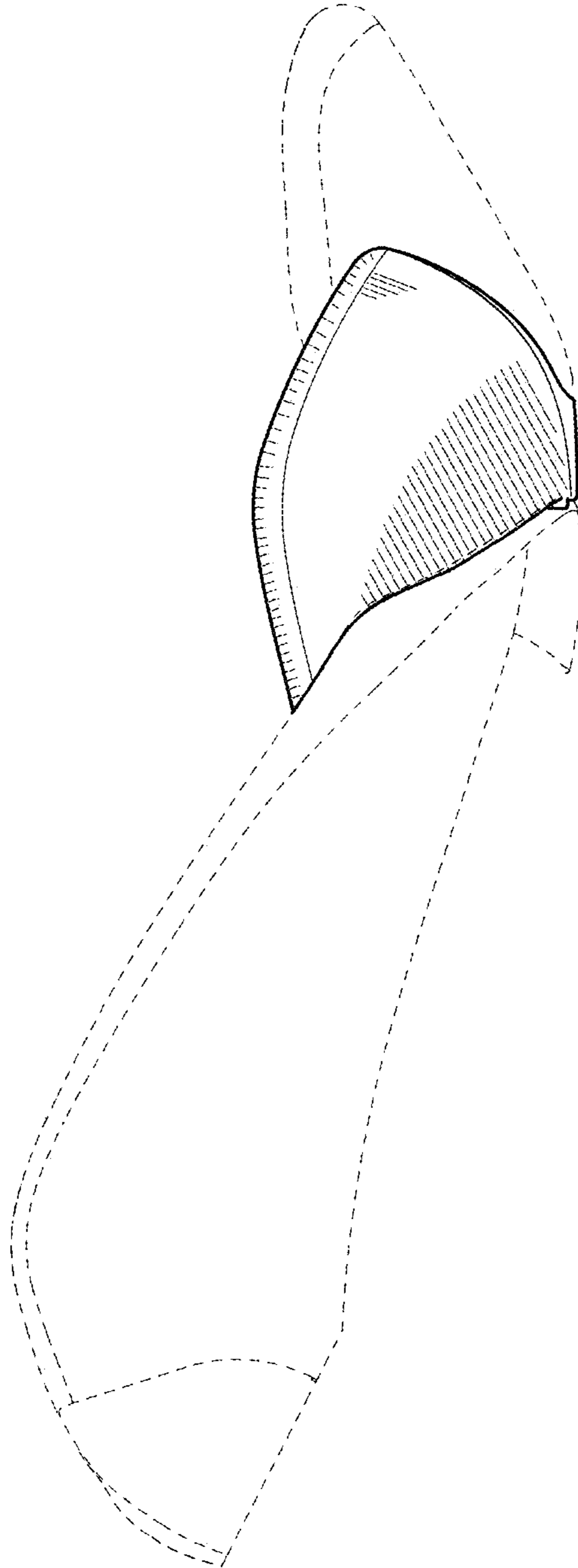


FIG. 5

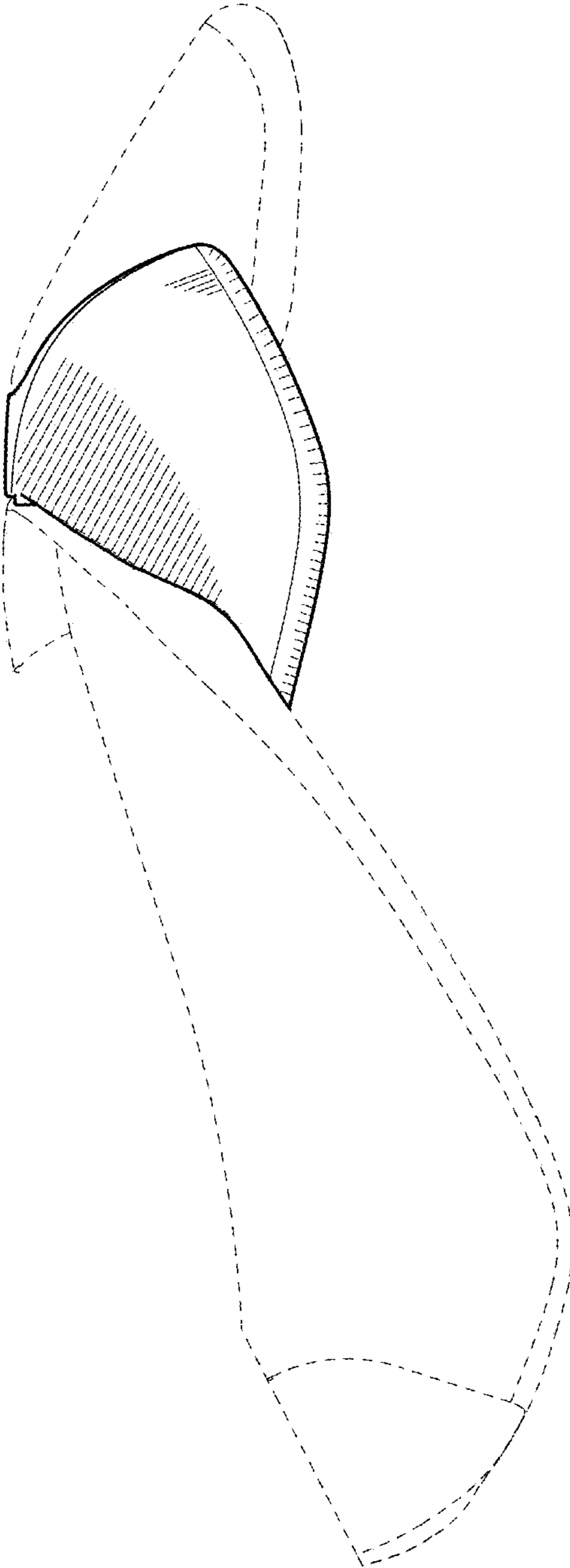


FIG. 6



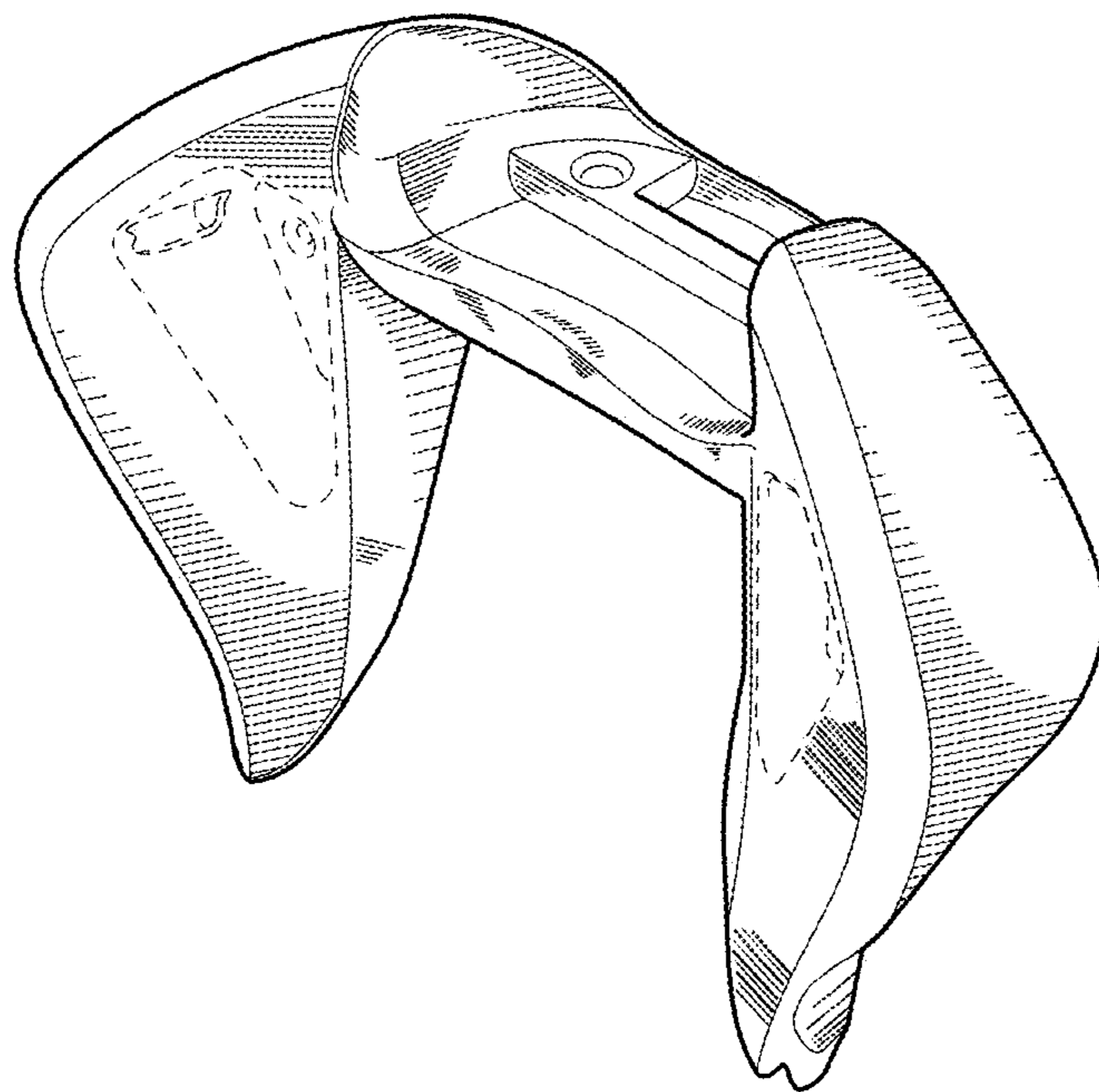


FIG. 7

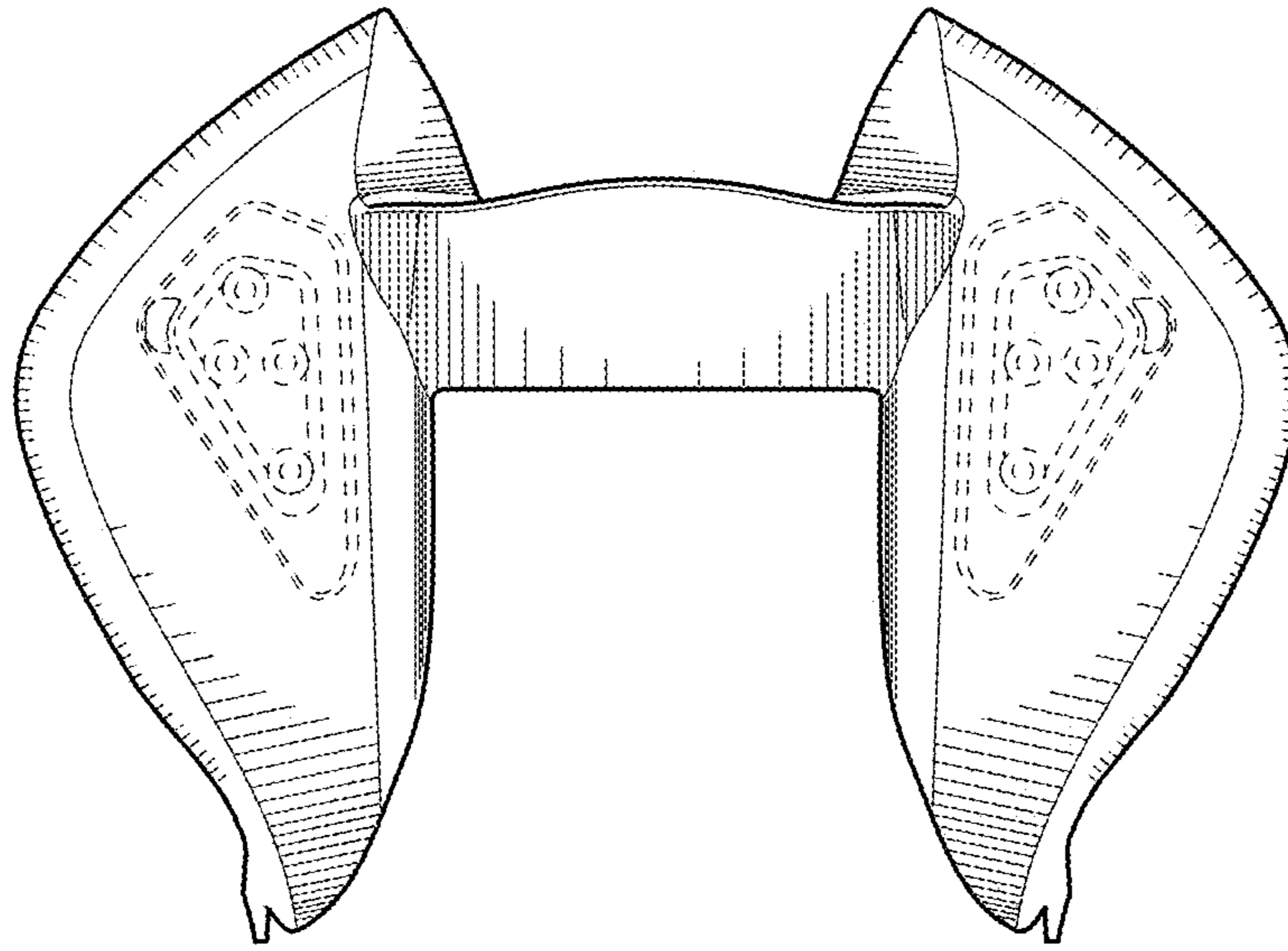


FIG. 8

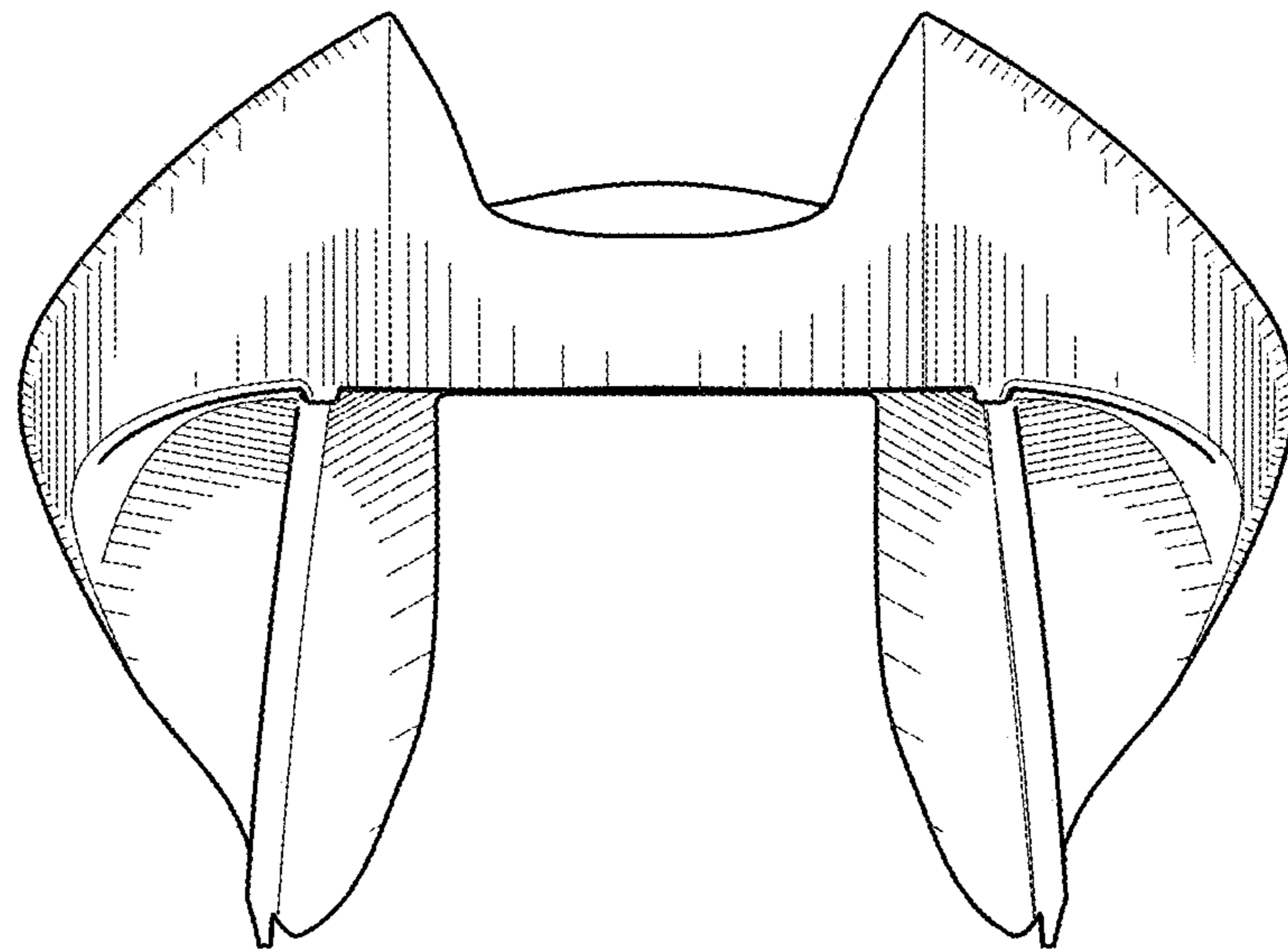


FIG. 9

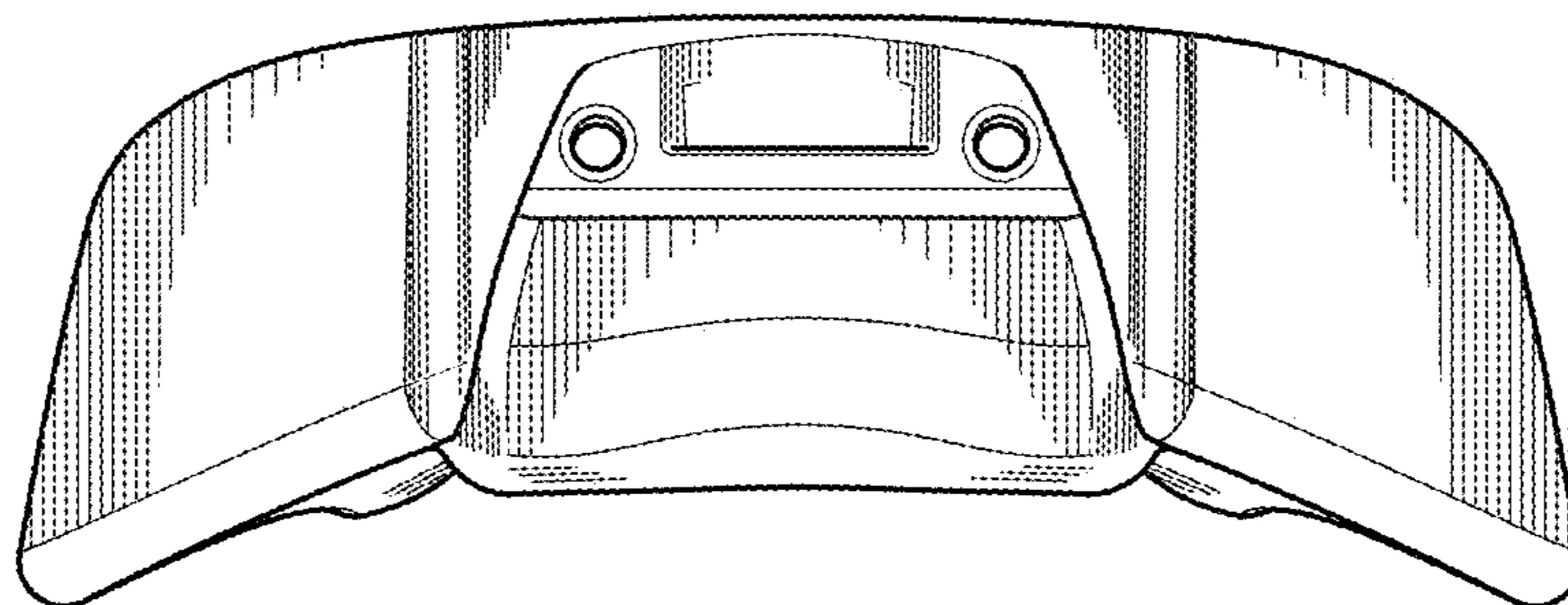


FIG. 10

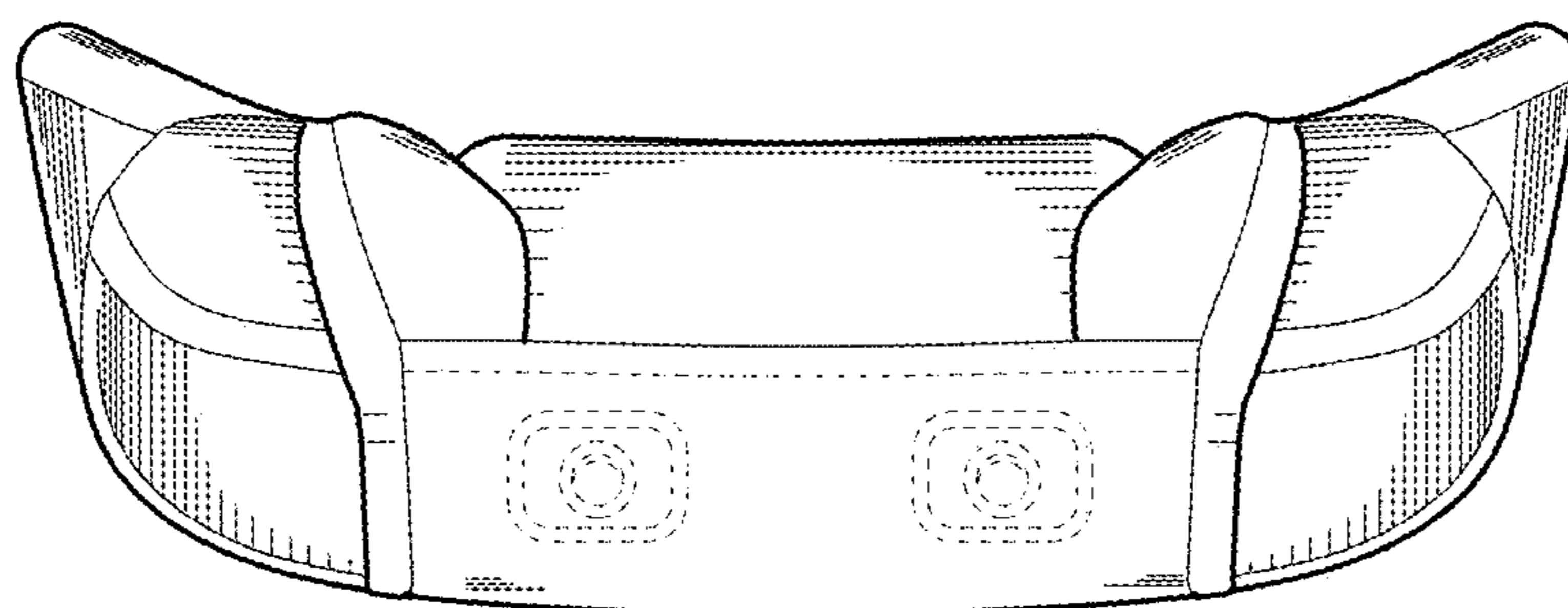


FIG. 11

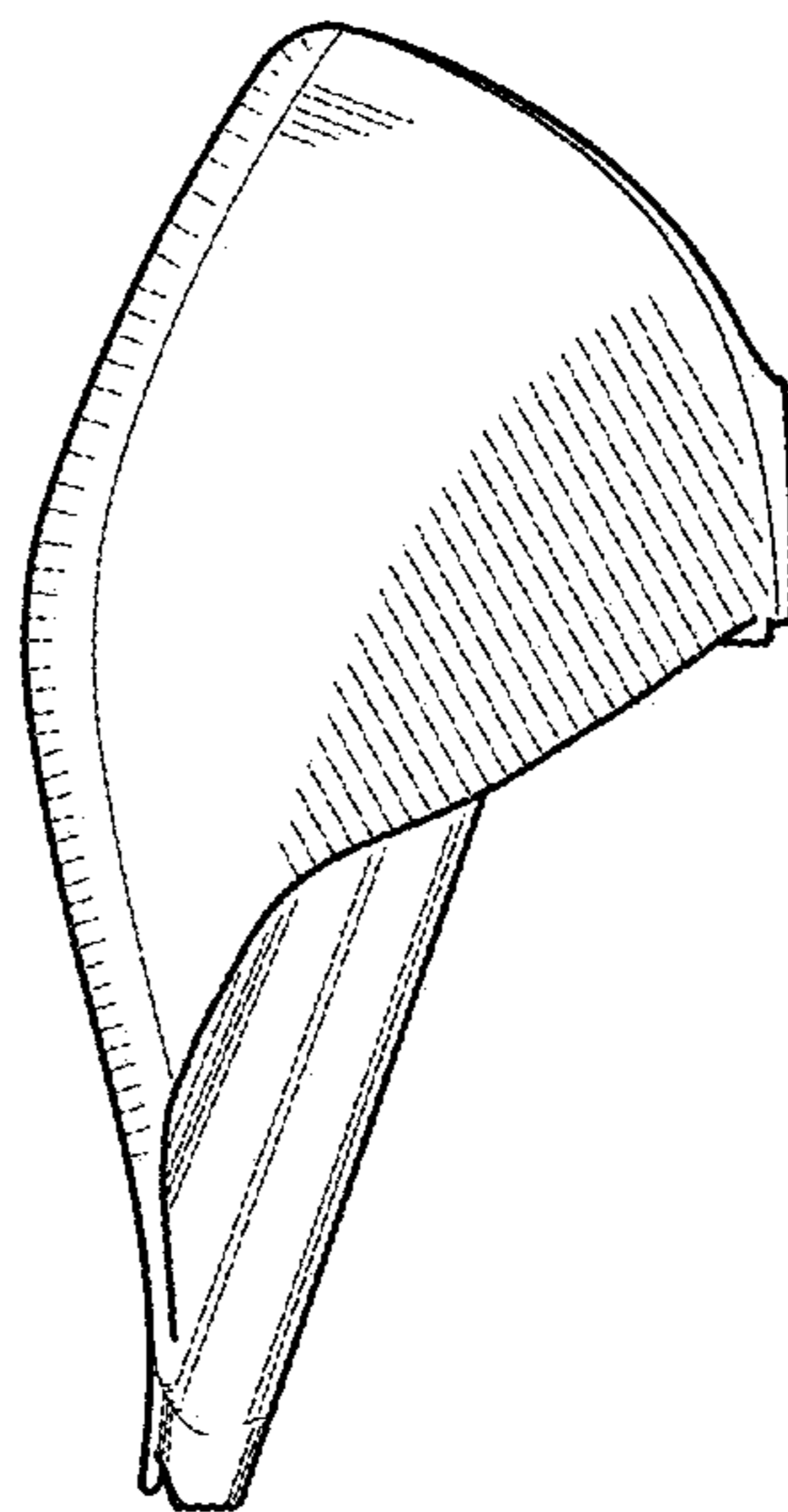


FIG. 12

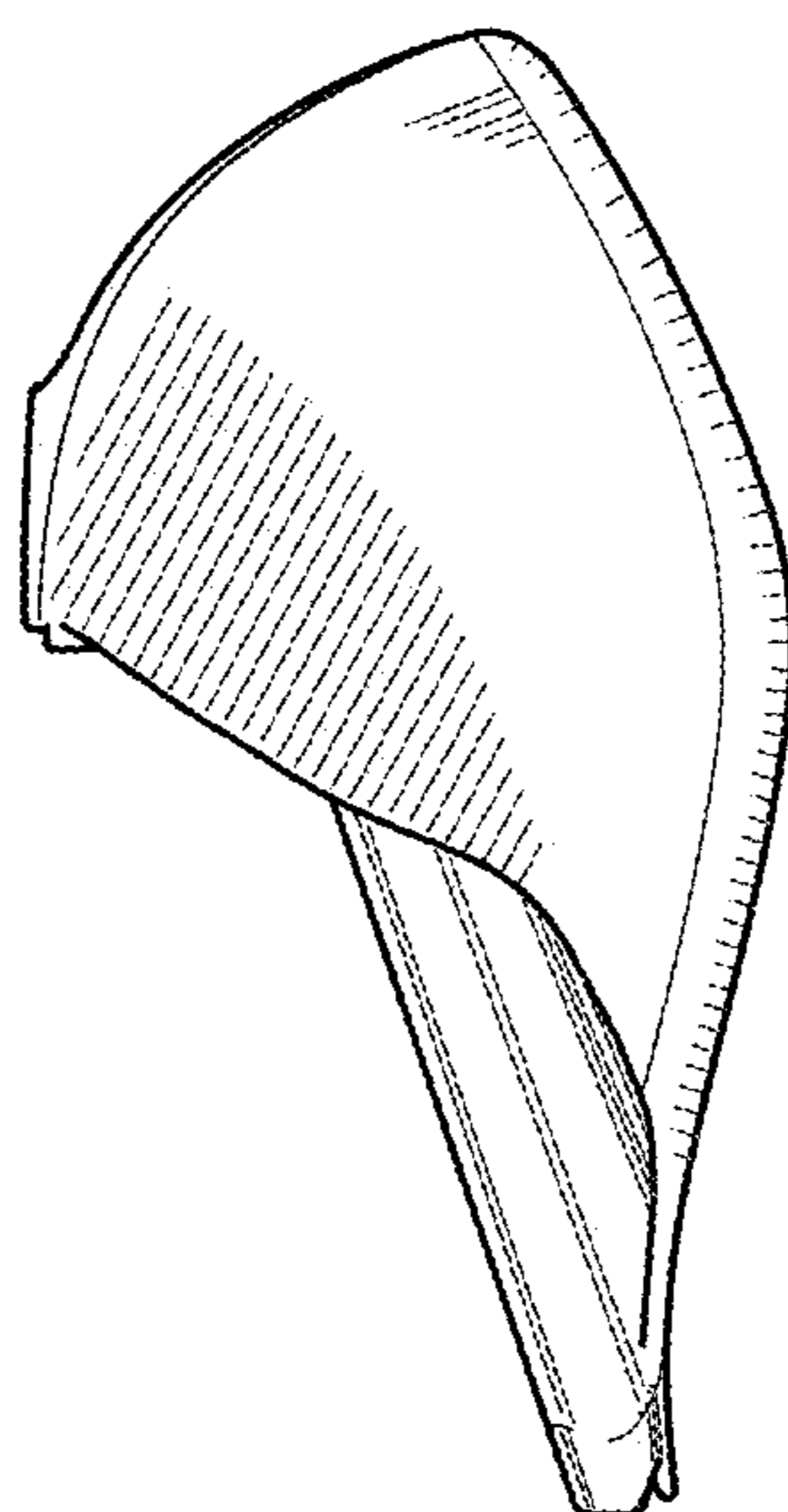


FIG. 13