



US00D919312S

(12) **United States Design Patent**
Xiao

(10) **Patent No.:** **US D919,312 S**
(45) **Date of Patent:** **** May 18, 2021**

- (54) **CHAIR**
- (71) Applicant: **TAIZHOU SUKK FURNITURE CO., LTD**, Taizhou (CN)
- (72) Inventor: **Shuangshuang Xiao**, Taizhou (CN)
- (73) Assignee: **TAIZHOU SUKK FURNITURE CO., LTD**, Taizhou (CN)

D764,199 S *	8/2016	Bosman	D6/352
D772,589 S *	11/2016	Foy	D6/352
D790,264 S *	6/2017	Almaghlouth	D6/692
D836,960 S *	1/2019	Rockwell	D6/692.4
D861,402 S *	10/2019	Ramos	D6/692
D867,041 S *	11/2019	Grassinger	D6/692
D900,519 S *	11/2020	Davis	D6/692
2008/0092785 A1 *	4/2008	Weissenrieder	A47B 3/08 108/115

- (**) Term: **15 Years**
- (21) Appl. No.: **29/716,404**
- (22) Filed: **Dec. 10, 2019**
- (51) **LOC (13) Cl.** **06-01**
- (52) **U.S. Cl.**
USPC **D6/352**; 6/692
- (58) **Field of Classification Search**
USPC D6/334-338, 340-343, 349-353, 355,
D6/364-365, 691-691.9, 692-692.6,
D6/716-716.1
CPC A47B 7/00-02; A47C 11/00; A47C 12/00;
A47C 13/00; A47C 16/00; A47C
16/02-04; A47C 9/00-105; A47K 17/02;
A47K 17/028
See application file for complete search history.

(56) **References Cited**

U.S. PATENT DOCUMENTS

D49,385 S *	7/1916	Feldman	D6/352
D107,860 S *	1/1938	Ferris	D6/352
D151,578 S *	11/1948	Appell et al.	D6/692.6
D383,018 S *	9/1997	Grosfillex	D6/692.1
D450,941 S *	11/2001	Spitler	D6/349
D506,082 S *	6/2005	Foy	D6/352
D600,048 S *	9/2009	Weissenrieder	D6/692.4
D722,799 S *	2/2015	Urban	D6/692.4

OTHER PUBLICATIONS

Rattan Design Outdoor Furniture White Cafe Plastic Round Table With Glass Top. [online] Retrieved Mar. 9, 2021 from URL: https://sukkoutdoor.en.alibaba.com/product/62140642163-811371092/Rattan_Design_Outdoor_Furniture_White_Cafe_Plastic_Round_Table_With_Glass_Top.html?spm=a2700.shop_plgr.41413.17.128034454RHq6R.*

* cited by examiner

Primary Examiner — Vy N Koenig

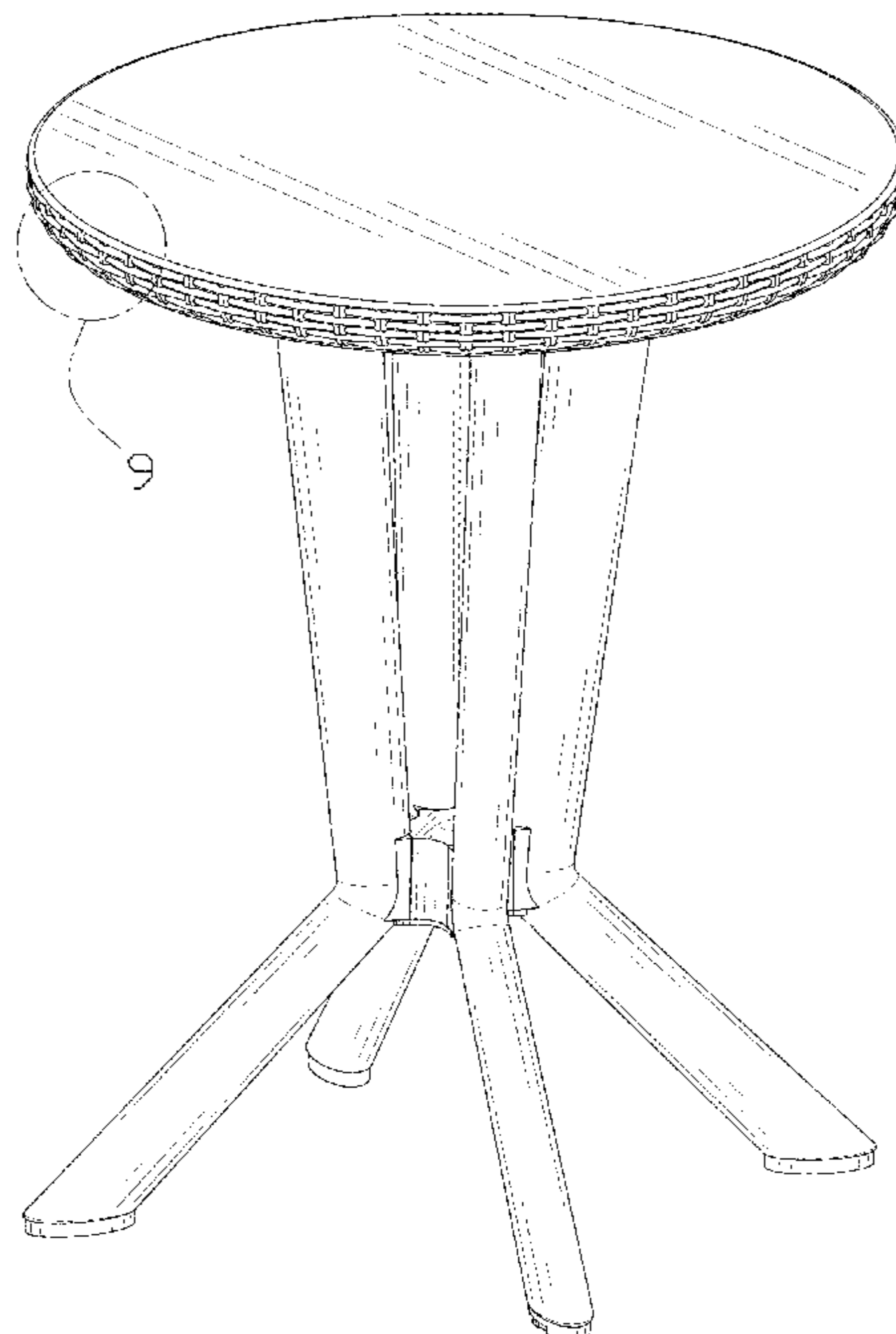
(57) **CLAIM**

The ornamental design for a chair, as shown and described.

DESCRIPTION

FIG. 1 is a perspective view of a chair showing my new design;
FIG. 2 is similar to FIG. 1, viewed from another aspect;
FIG. 3 is a front elevational view thereof;
FIG. 4 is a rear elevational view thereof;
FIG. 5 is a left side elevational view thereof;
FIG. 6 is a right side elevational view thereof;
FIG. 7 is a top plan view thereof;
FIG. 8 is a bottom plan view thereof; and,
FIG. 9 is an enlarged view of a circled portion IX of FIG. 1.
The broken lines in the drawings depict portions of the chair that form no part of the claimed design.

1 Claim, 9 Drawing Sheets



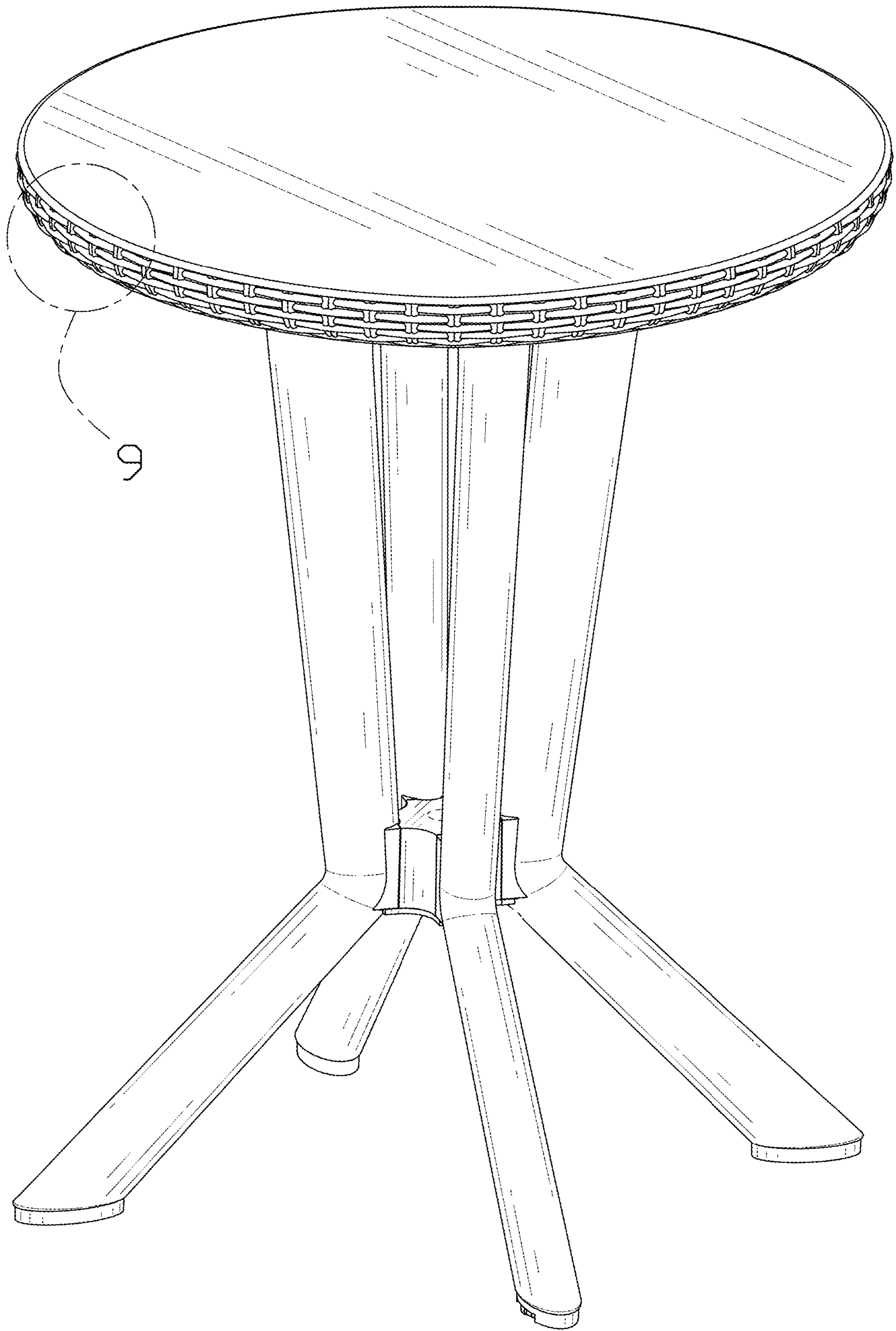


FIG. 1

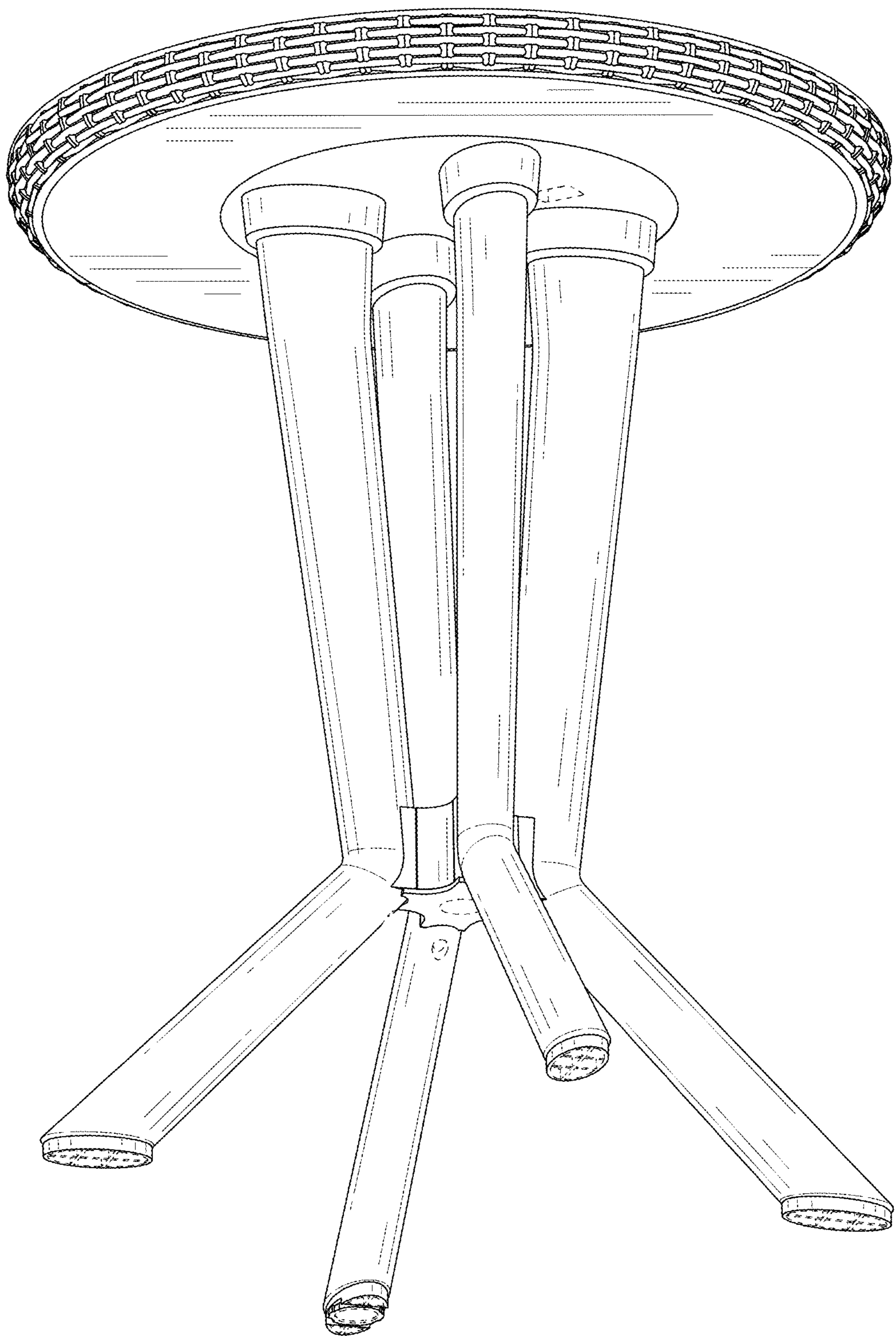


FIG. 2

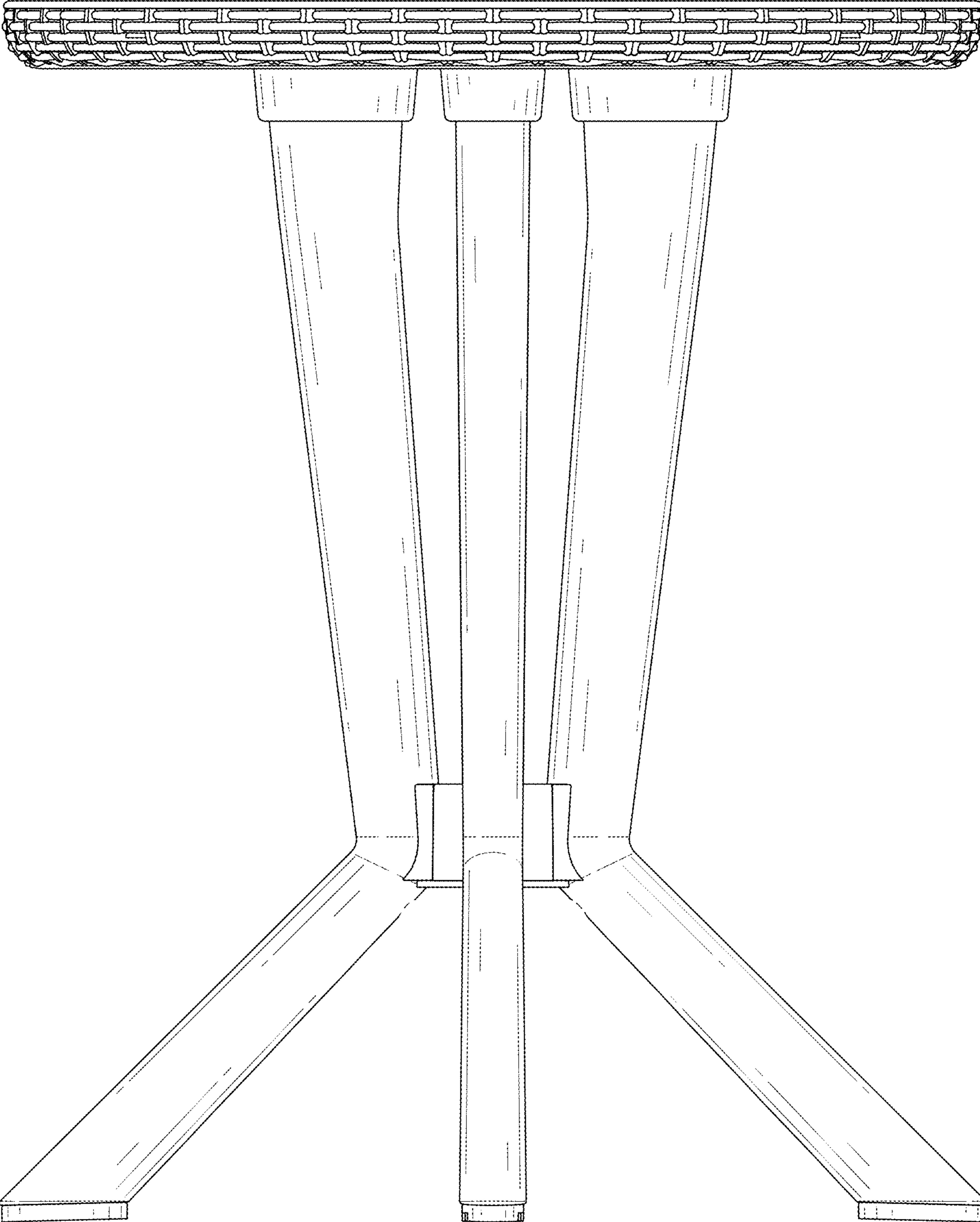


FIG. 3

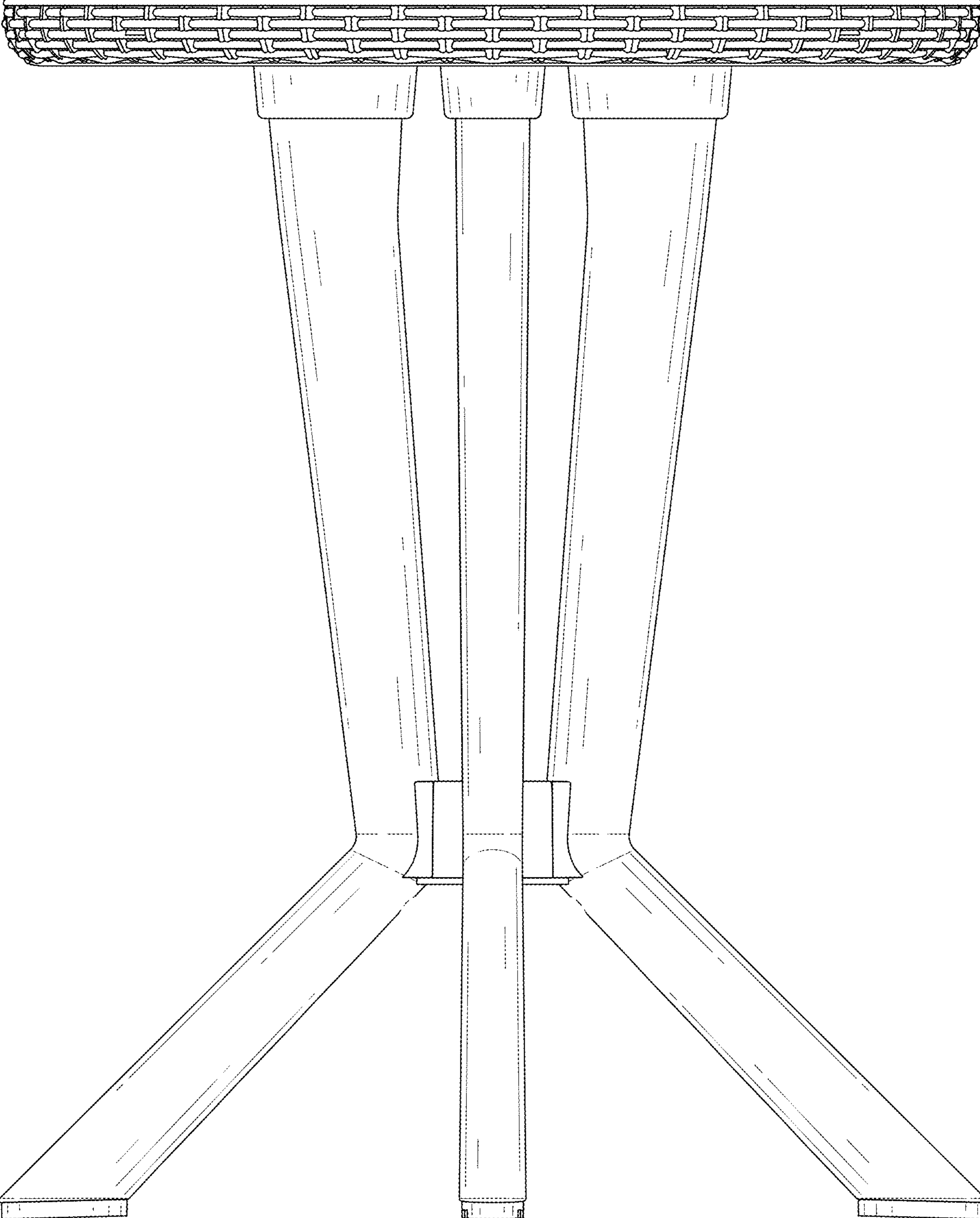


FIG. 4

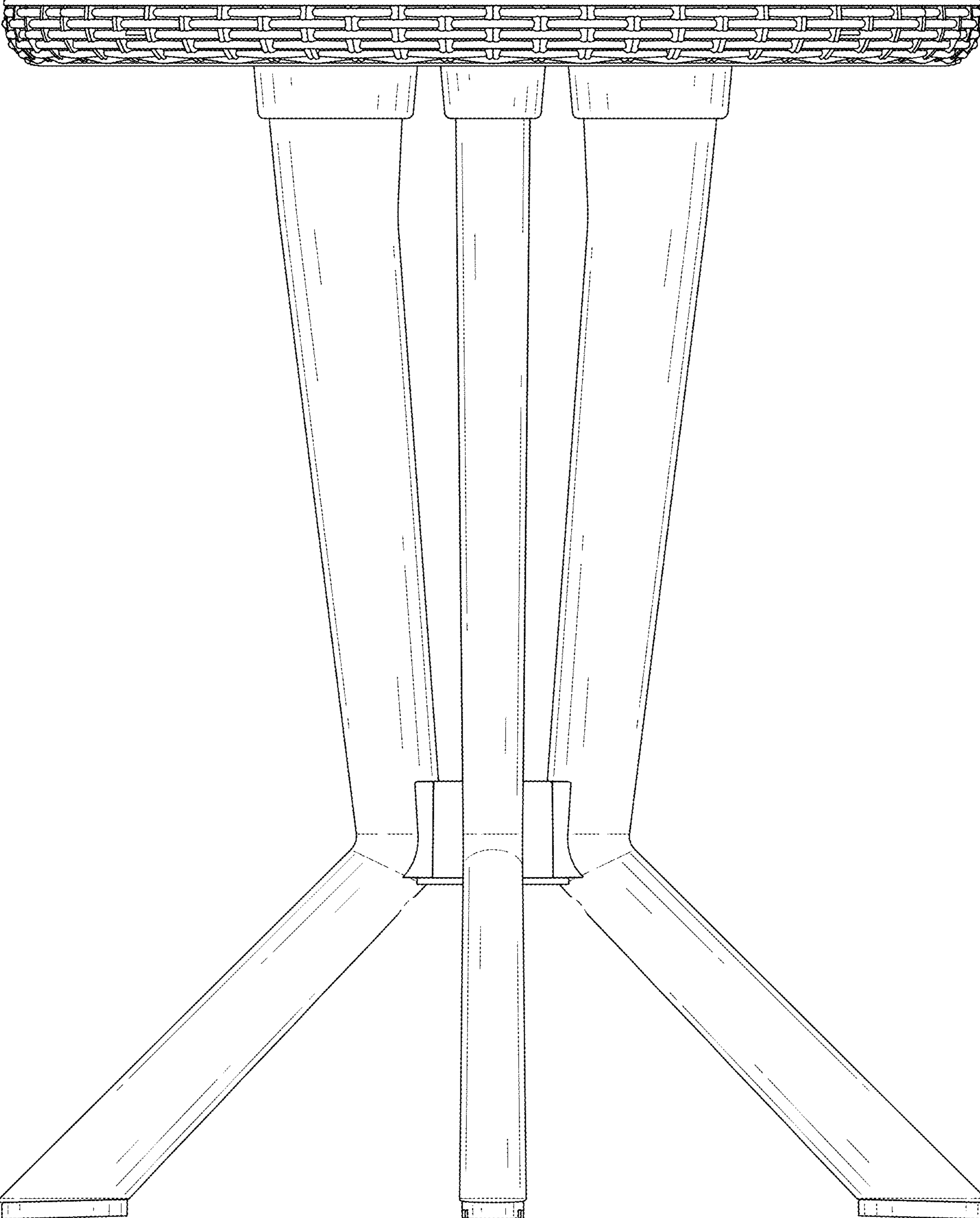


FIG. 5

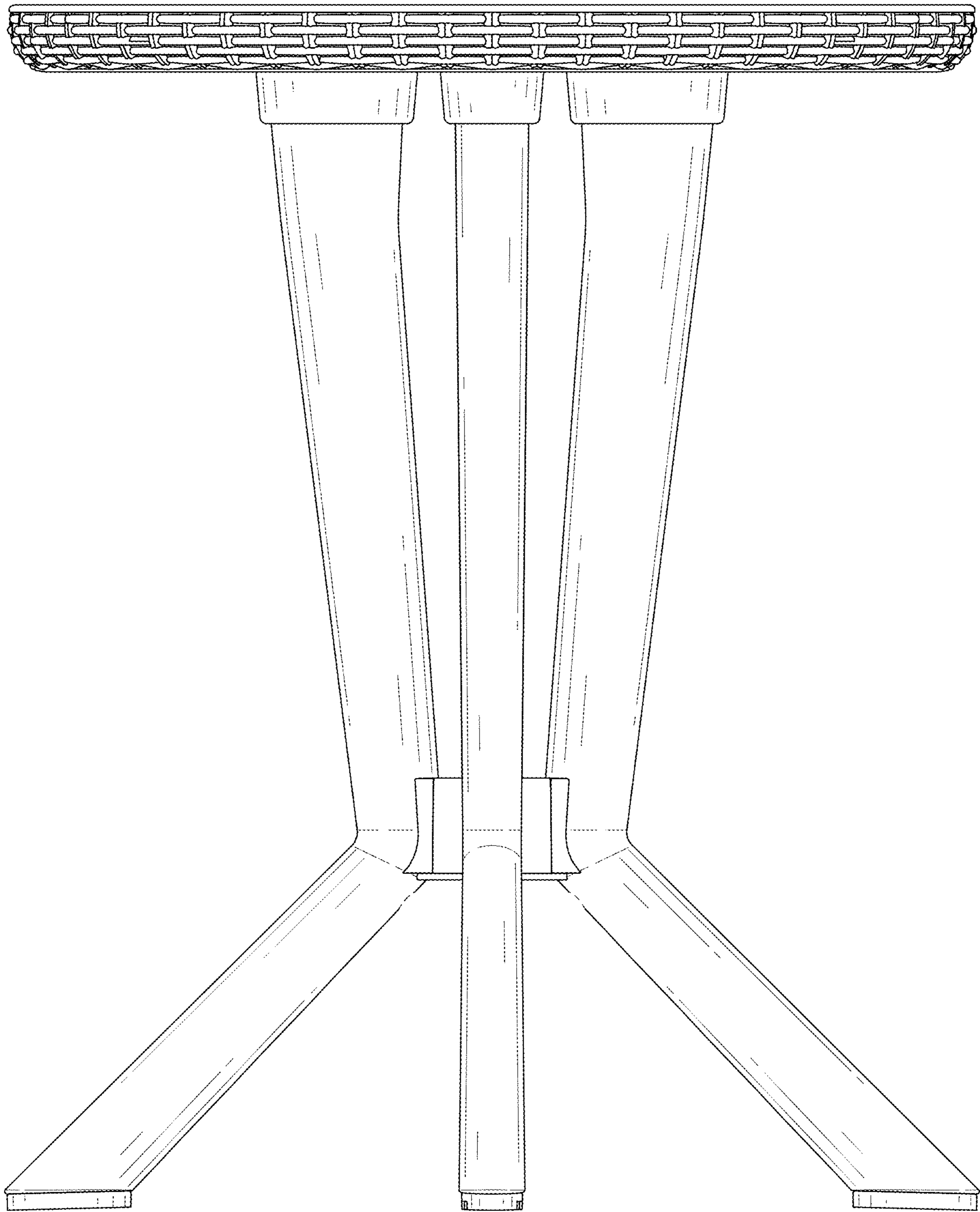


FIG. 6

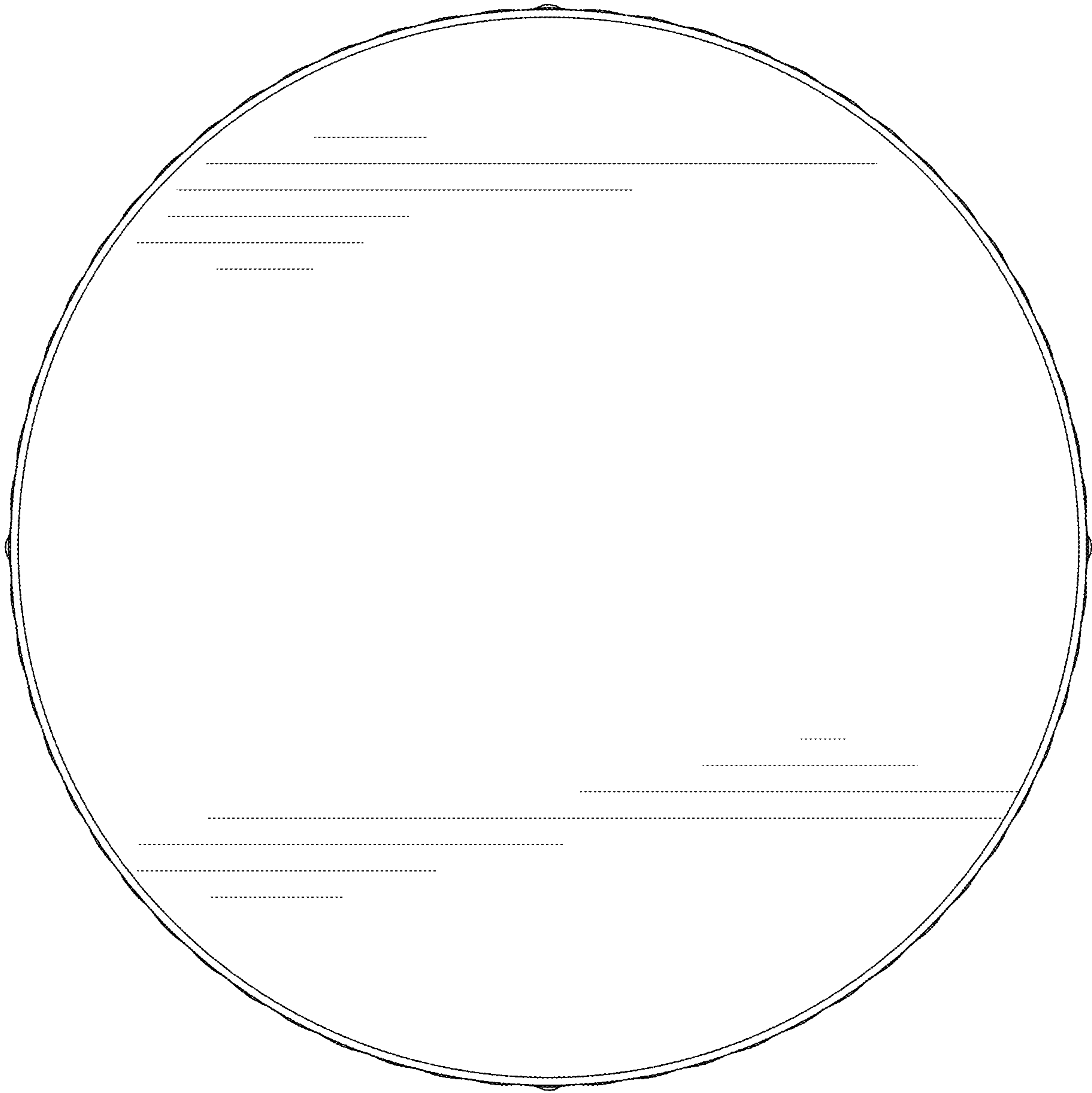


FIG. 7

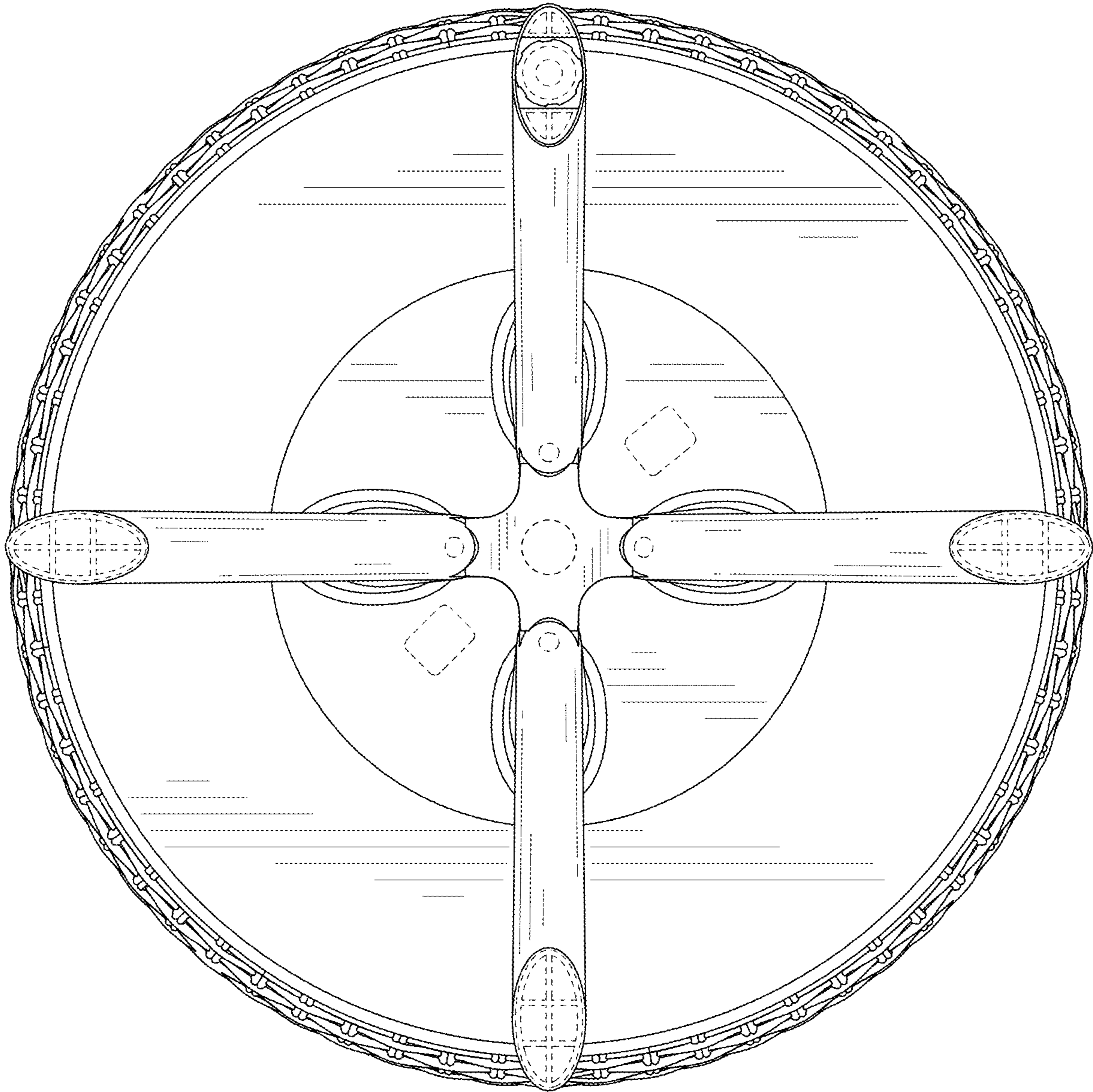


FIG. 8

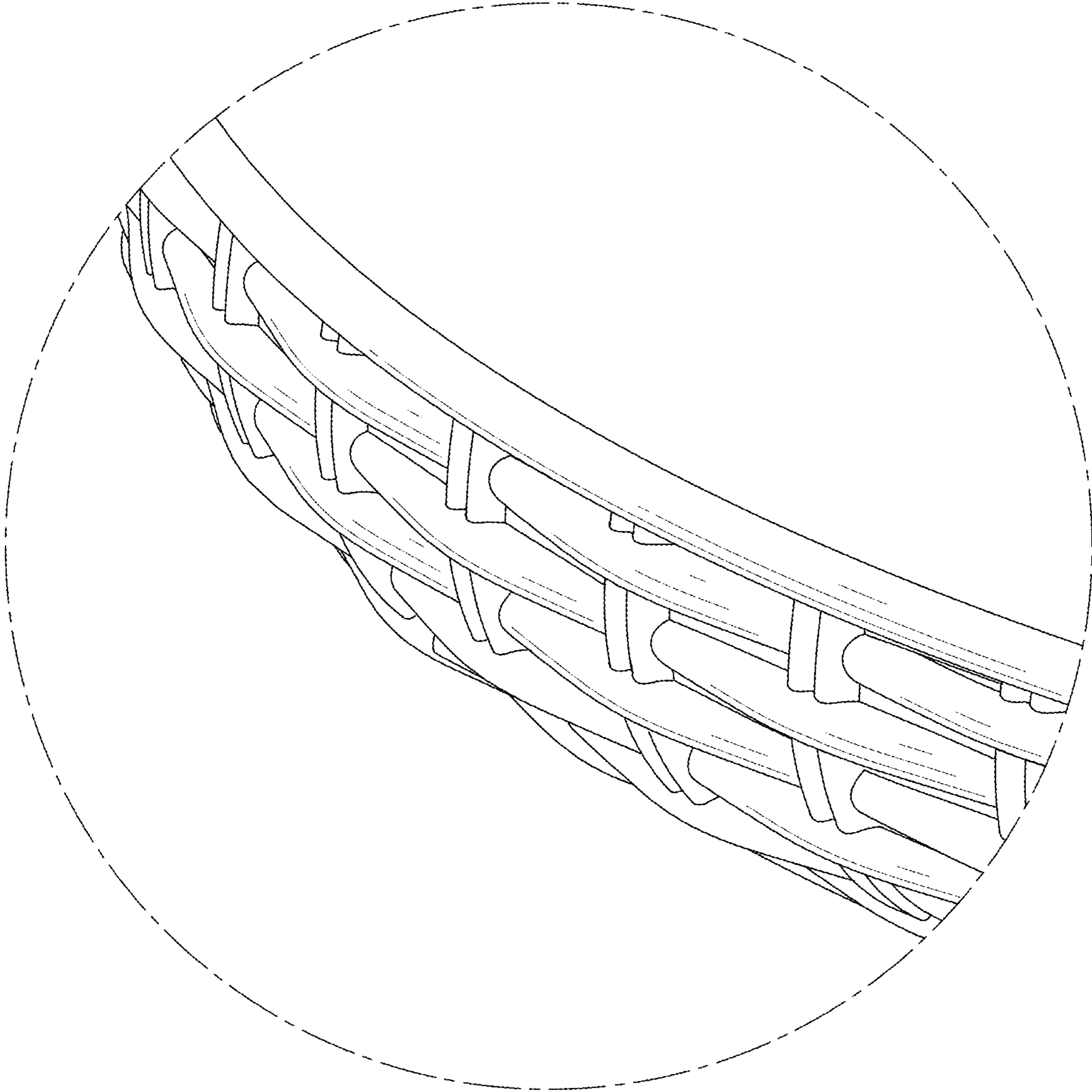


FIG. 9