



US00D919311S

(12) **United States Design Patent** (10) **Patent No.:** **US D919,311 S**
Jin (45) **Date of Patent:** **** May 18, 2021**

(54) **FOOTREST**
(71) Applicant: **SHENZHEN PRIME TECHNOLOGY CO., LTD**, Shenzhen (CN)
(72) Inventor: **Wenwu Jin**, Shenzhen (CN)
(73) Assignee: **SHENZHEN PRIME TECHNOLOGY CO., LTD**, Shenzhen (CN)
(**) Term: **15 Years**
(21) Appl. No.: **29/751,490**
(22) Filed: **Sep. 22, 2020**
(51) **LOC (13) Cl.** **06-01**
(52) **U.S. Cl.**
USPC **D6/349**; D6/601
(58) **Field of Classification Search**
USPC D6/334, 349, 353, 596, 601, 716, 716.6;
D21/685, 686
CPC A47C 16/02-04
See application file for complete search history.

9,585,489 B1 * 3/2017 Al-Quraini A47C 16/025
D790,238 S 6/2017 Little et al.
D831,385 S * 10/2018 Wyborn D6/601
D839,025 S * 1/2019 Casta-Baez D6/601
D880,628 S * 4/2020 McHenry D21/686
D897,732 S * 10/2020 Jennings D6/601
D899,536 S * 10/2020 Endelman D21/686
2013/0181497 A1 * 7/2013 Gurall A47C 16/02
297/423.1

OTHER PUBLICATIONS

HOKEKI Upgraded Foot Rest Under Desk with Adjustable Height, Soft Yet Firm Foam Velvet Footrest Cushion . . . [online] First available Aug. 3, 2020. Retrieved from URL: https://www.amazon.com/HOKEKI-Upgraded-Adjustable-Footrest-Airplane/dp/B08F58844Y/ref=psdc_1069198_t5_B0823T47RL?th=1.
Ameriergo Adjustable Foot Rest—Foot Rest Under Desk Cushion Provides More Comfort for Legs, Ergonomic Footrest Cushion . . . [online] First available Nov. 28, 2019. Retrieved from URL: <https://www.amazon.com/Adjustable-Foot-Rest-Provides-Ergonomic/dp/B0823T47RL>.*

* cited by examiner

Primary Examiner — Vy N Koenig

(57) **CLAIM**

The ornamental design for a footrest, as shown and described.

DESCRIPTION

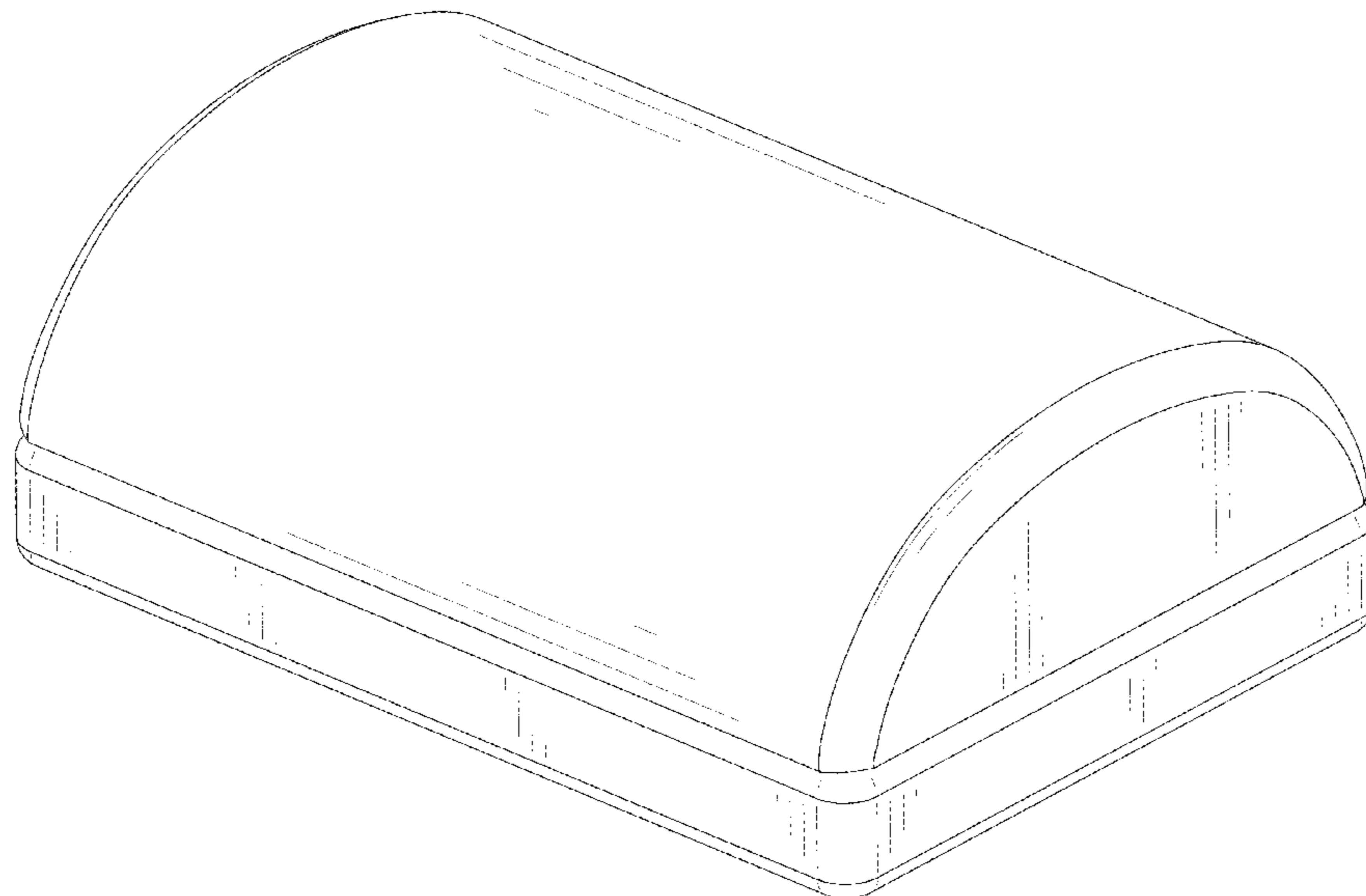
FIG. 1 is a perspective view of a footrest showing my new design;
FIG. 2 is another perspective view thereof;
FIG. 3 is a front elevational view thereof;
FIG. 4 is a rear elevational view thereof;
FIG. 5 is a left side elevational view thereof;
FIG. 6 is a right side elevational view thereof;
FIG. 7 is a top plan view thereof; and,
FIG. 8 is a bottom plan view thereof.

1 Claim, 8 Drawing Sheets

(56) **References Cited**

U.S. PATENT DOCUMENTS

D247,149 S * 2/1978 Woog D6/596
D247,209 S * 2/1978 Woog D24/215
D273,915 S * 5/1984 Pike D6/349
5,536,071 A * 7/1996 Kraftick A47C 9/025
297/423.41
D406,486 S * 3/1999 Ogilvie D6/596
D440,416 S * 4/2001 Olofson D6/351
D485,444 S 1/2004 Nicoletti
D651,369 S * 12/2011 Seliskar D30/160
D732,314 S * 6/2015 Fux D6/601
D738,645 S * 9/2015 Goetsch D6/601
D741,962 S * 10/2015 Terrian D21/686
D770,808 S * 11/2016 Sheehan D6/601
D781,076 S * 3/2017 Stokes D6/601



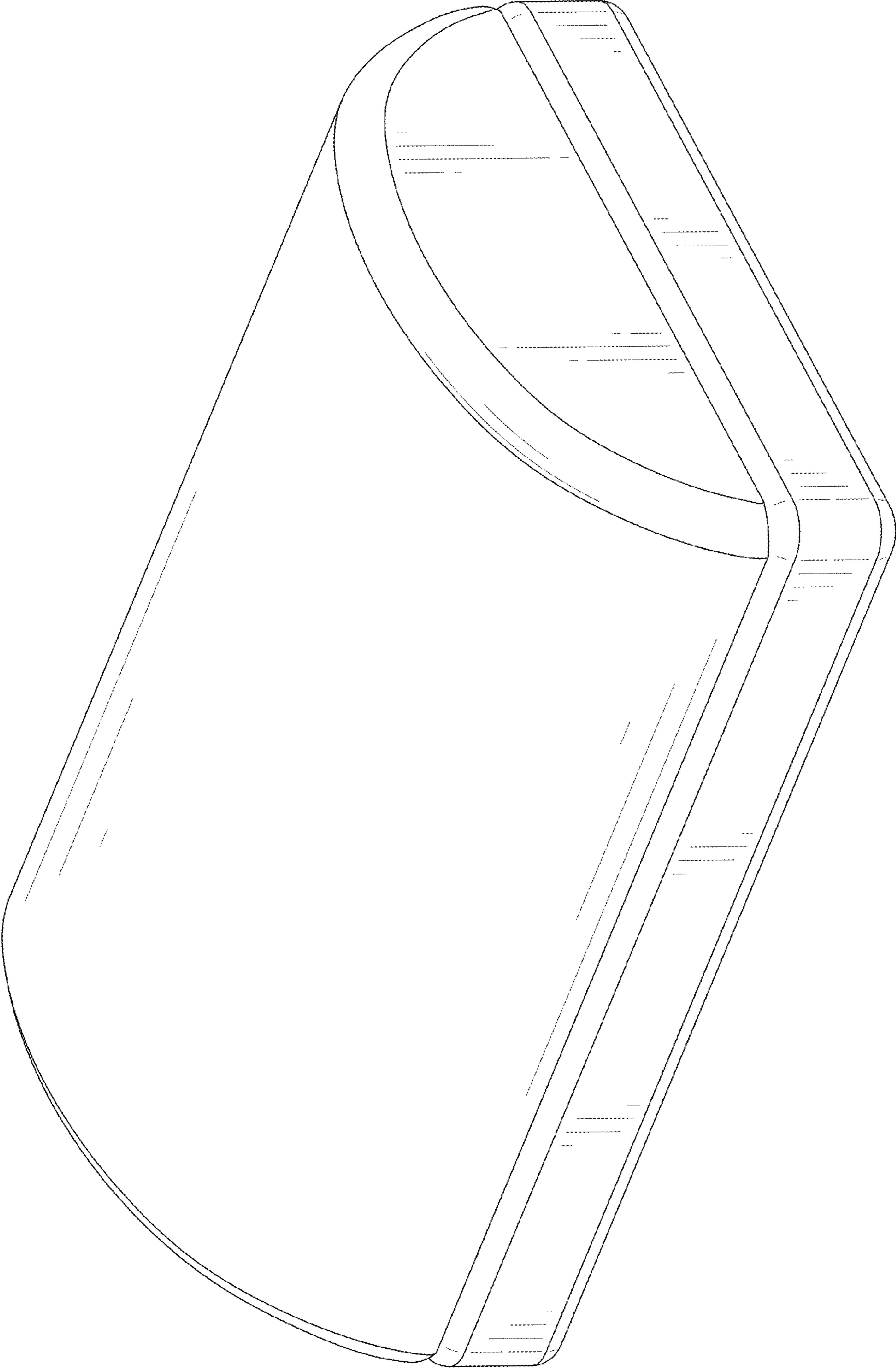


FIG. 1

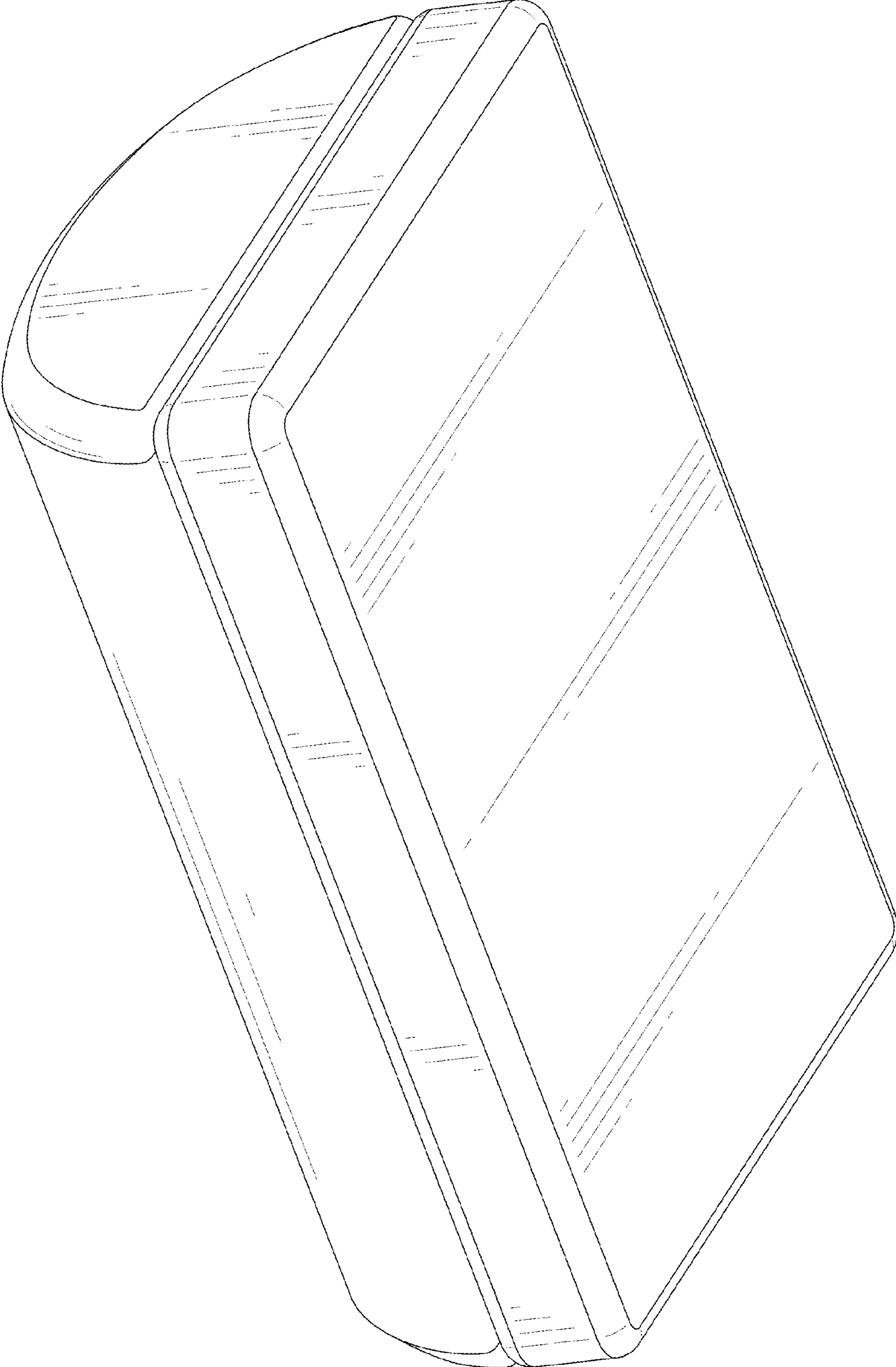


FIG. 2

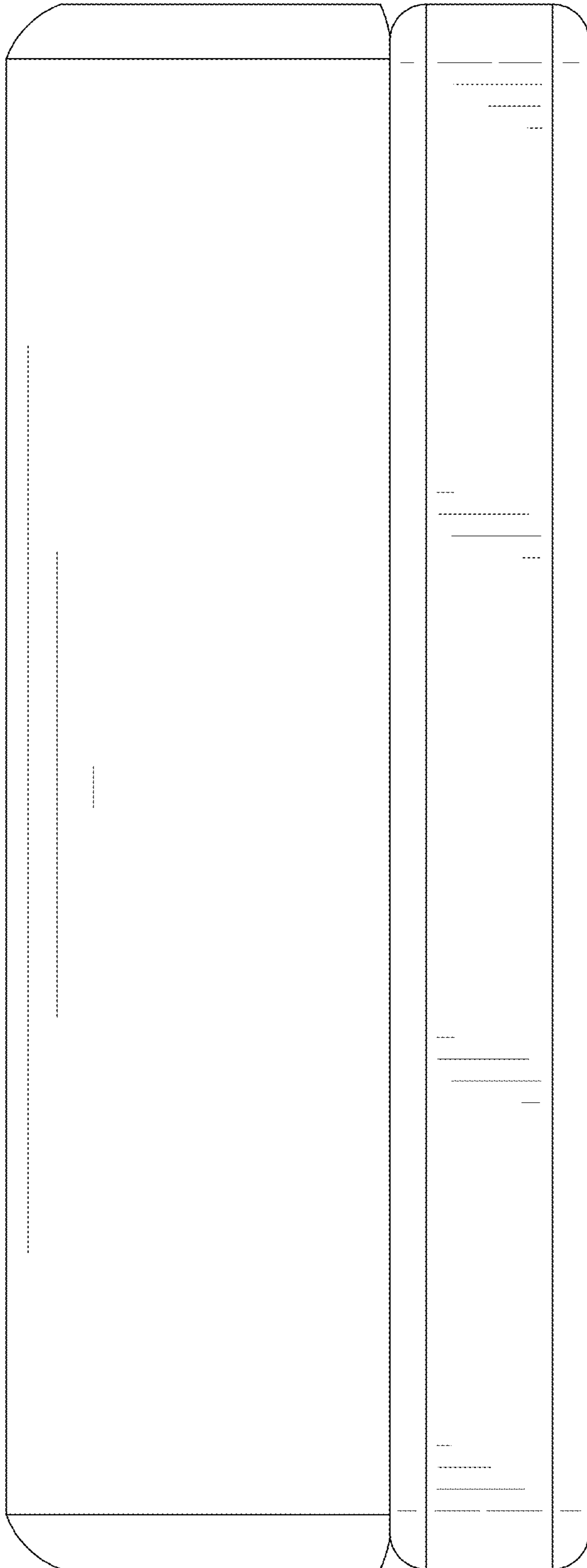


FIG. 3

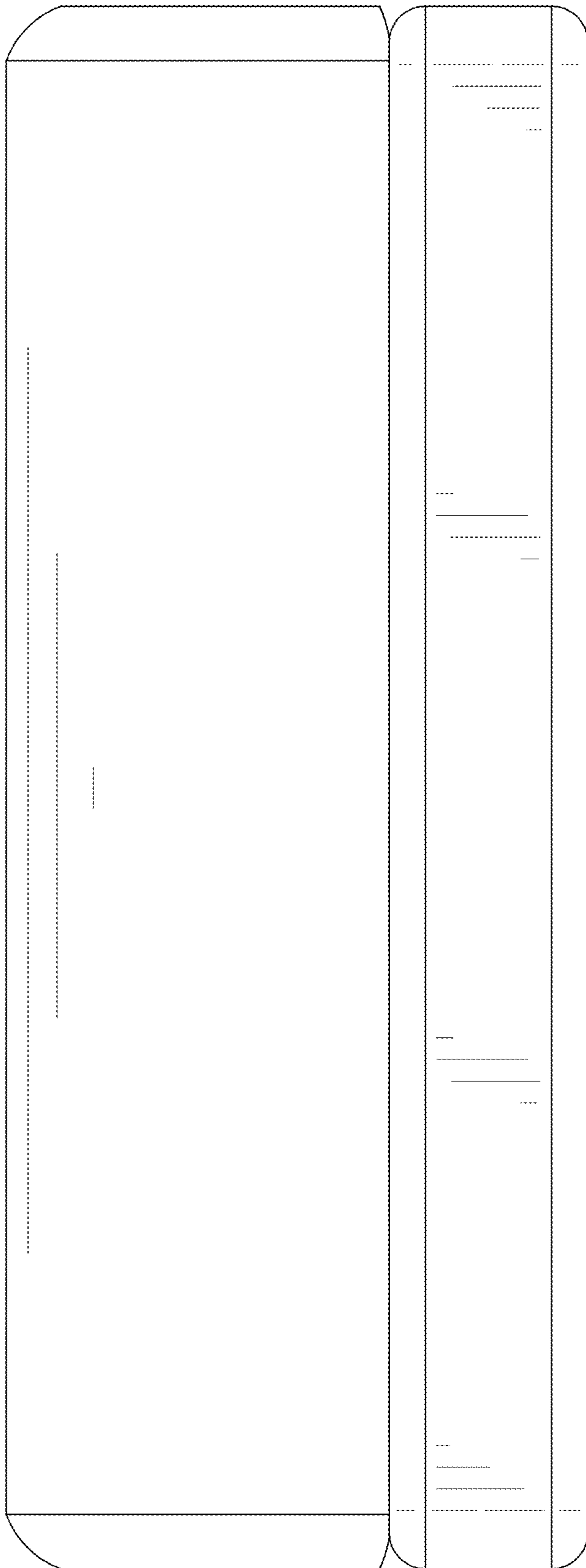


FIG. 4

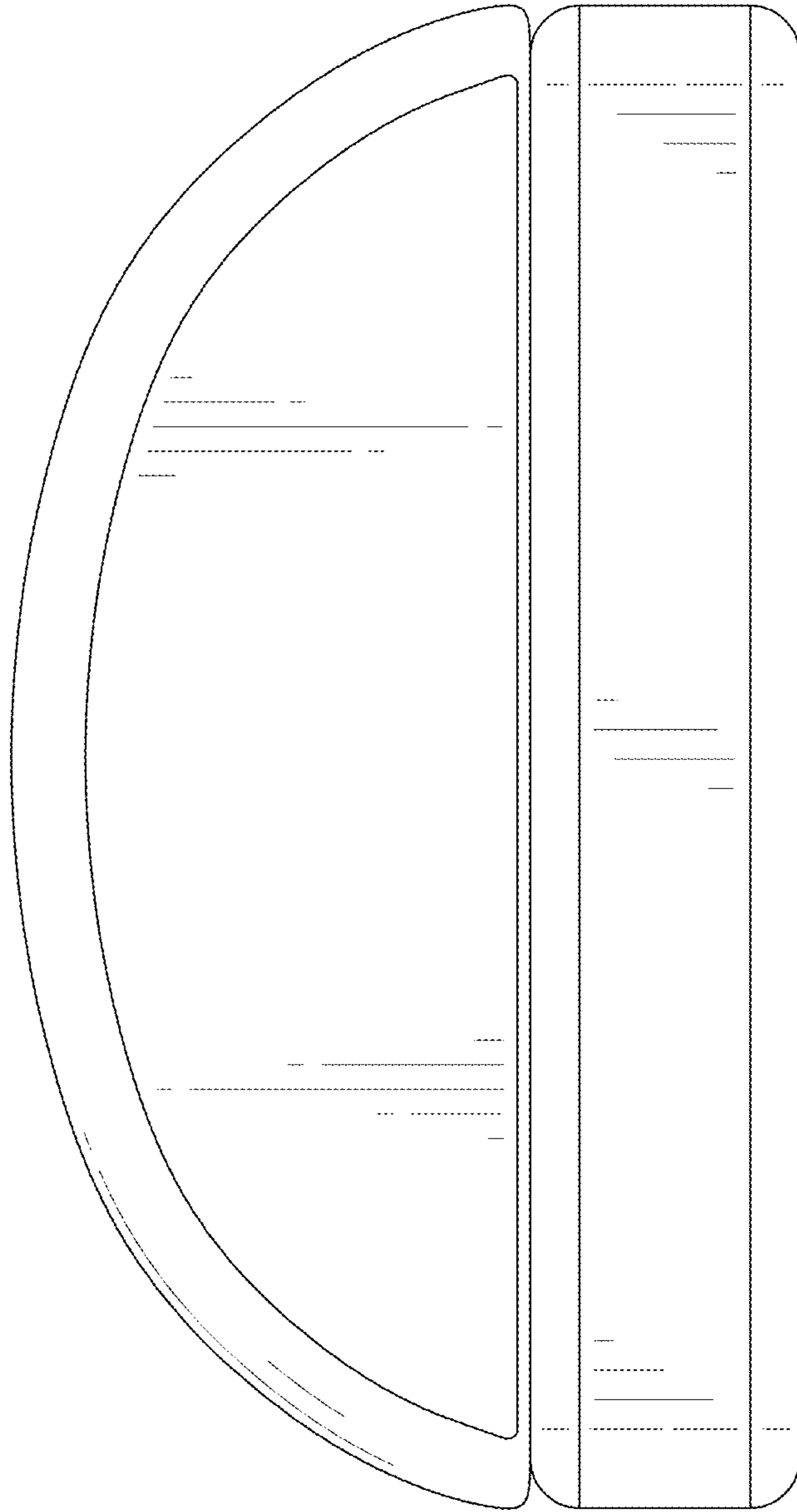


FIG. 5

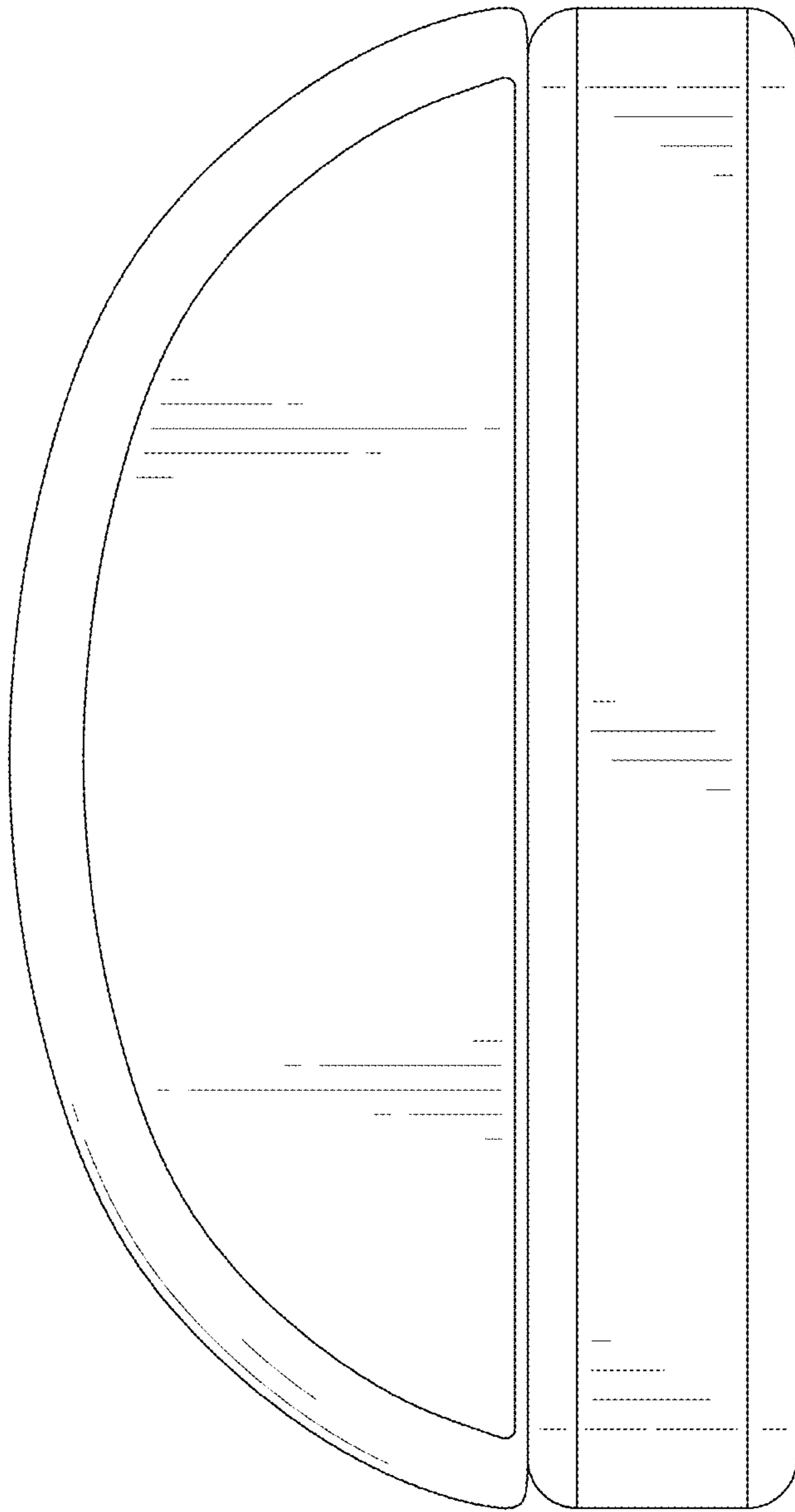


FIG. 6

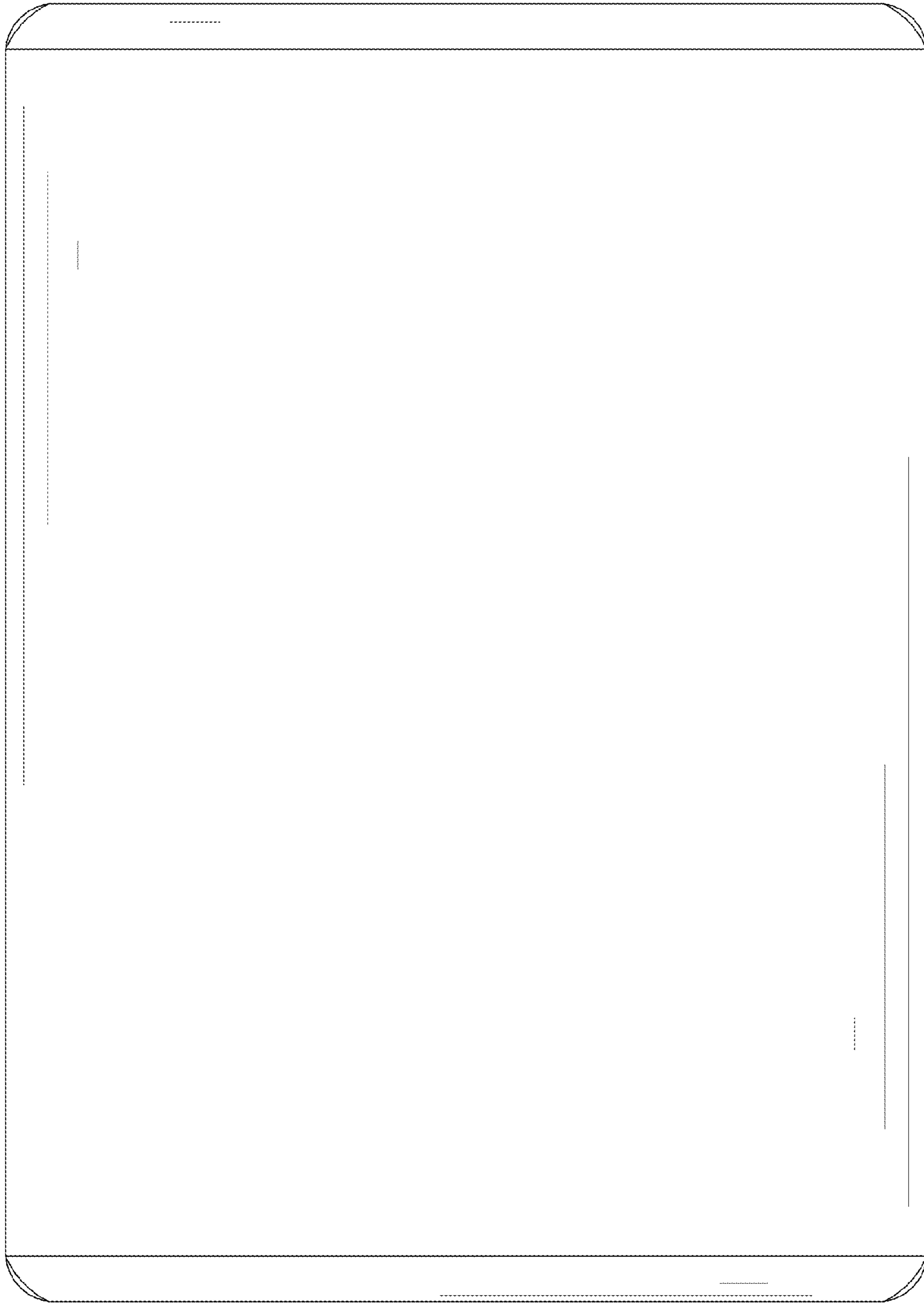


FIG. 7

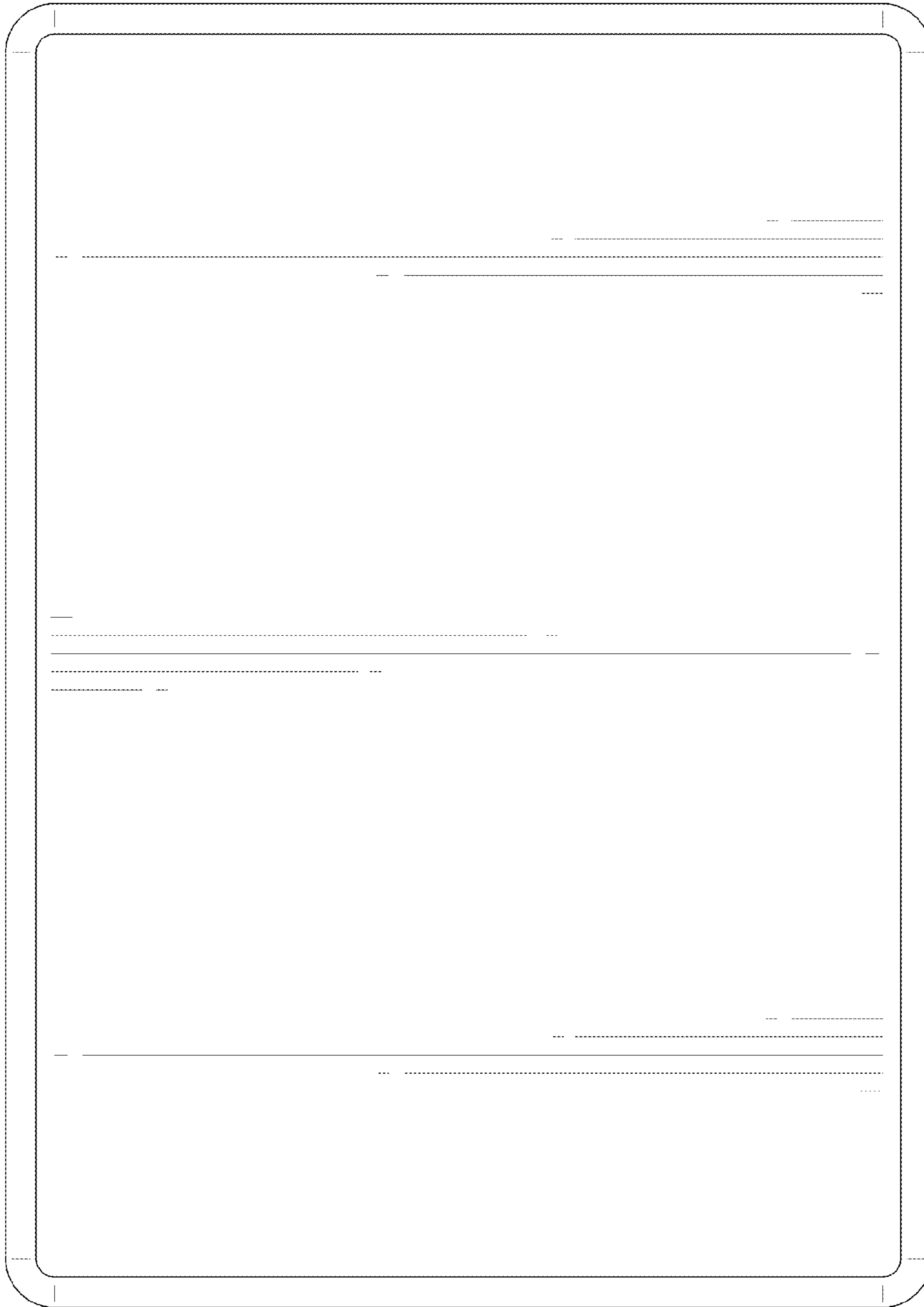


FIG. 8