



US00D919310S

(12) **United States Design Patent**
Yang

(10) **Patent No.:** **US D919,310 S**

(45) **Date of Patent:** **** May 18, 2021**

- (54) **MAKEUP MIRROR**
- (71) Applicant: **DONGGUAN POWERME PLASTIC MFG. CO., LTD.**, Dongguan (CN)
- (72) Inventor: **Guowei Yang**, Dongguan (CN)
- (73) Assignee: **DONGGUAN POWERME PLASTIC MFG. CO., LTD.**, Dongguan (CN)

D865,375 S * 11/2019 Yang D6/310
 D879,481 S 3/2020 Yang
 D879,482 S 3/2020 Yang
 D889,857 S * 7/2020 Liu D6/310
 D891,125 S * 7/2020 Liu D6/310
 D898,387 S * 10/2020 Yang D6/309

* cited by examiner

Primary Examiner — Deanna L Pratt

(**) Term: **15 Years**

(21) Appl. No.: **29/751,882**

(22) Filed: **Sep. 24, 2020**

(51) **LOC (13) Cl.** **06-07**

(52) **U.S. Cl.**
USPC **D6/310**

(58) **Field of Classification Search**
USPC D6/300-314; D28/64.1-64.7
CPC A47G 1/00; A47G 1/0633; A47G 1/0622;
A47G 1/04; A47G 2200/08; A47G
2200/085; A45D 42/20

See application file for complete search history.

(56) **References Cited**

U.S. PATENT DOCUMENTS

D212,346 S * 10/1968 Shea D6/672
 D639,077 S * 6/2011 DeBretton Gordon D6/310
 D658,899 S * 5/2012 Zadro D6/309
 D661,910 S * 6/2012 Yang D6/312
 D738,118 S * 9/2015 Gyanendra D6/310

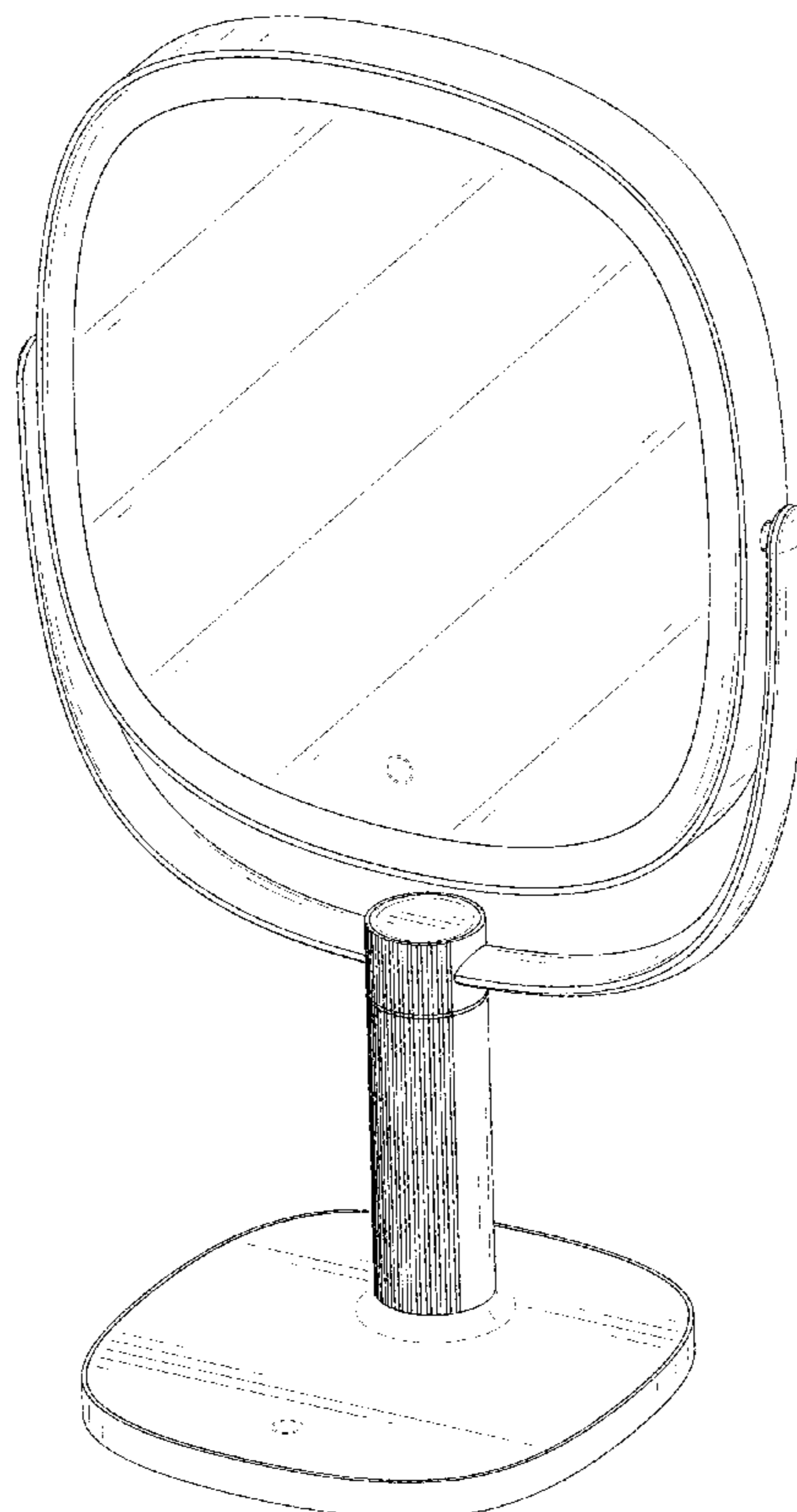
(57) **CLAIM**

The ornamental design for a makeup mirror, as shown and described.

DESCRIPTION

FIG. 1 is a perspective view of a makeup mirror showing my new design;
 FIG. 2 is another perspective view thereof;
 FIG. 3 is a front elevational view thereof;
 FIG. 4 is a rear elevational view thereof;
 FIG. 5 is a left side elevational view thereof;
 FIG. 6 is a right side elevational view thereof;
 FIG. 7 is a top plan view thereof;
 FIG. 8 is a bottom plan view thereof; and,
 FIG. 9 is a perspective view of the makeup mirror where the makeup mirror is in a configuration of use.
 The broken lines in the drawings depict portions of the makeup mirror that form no part of the claimed design.

1 Claim, 9 Drawing Sheets



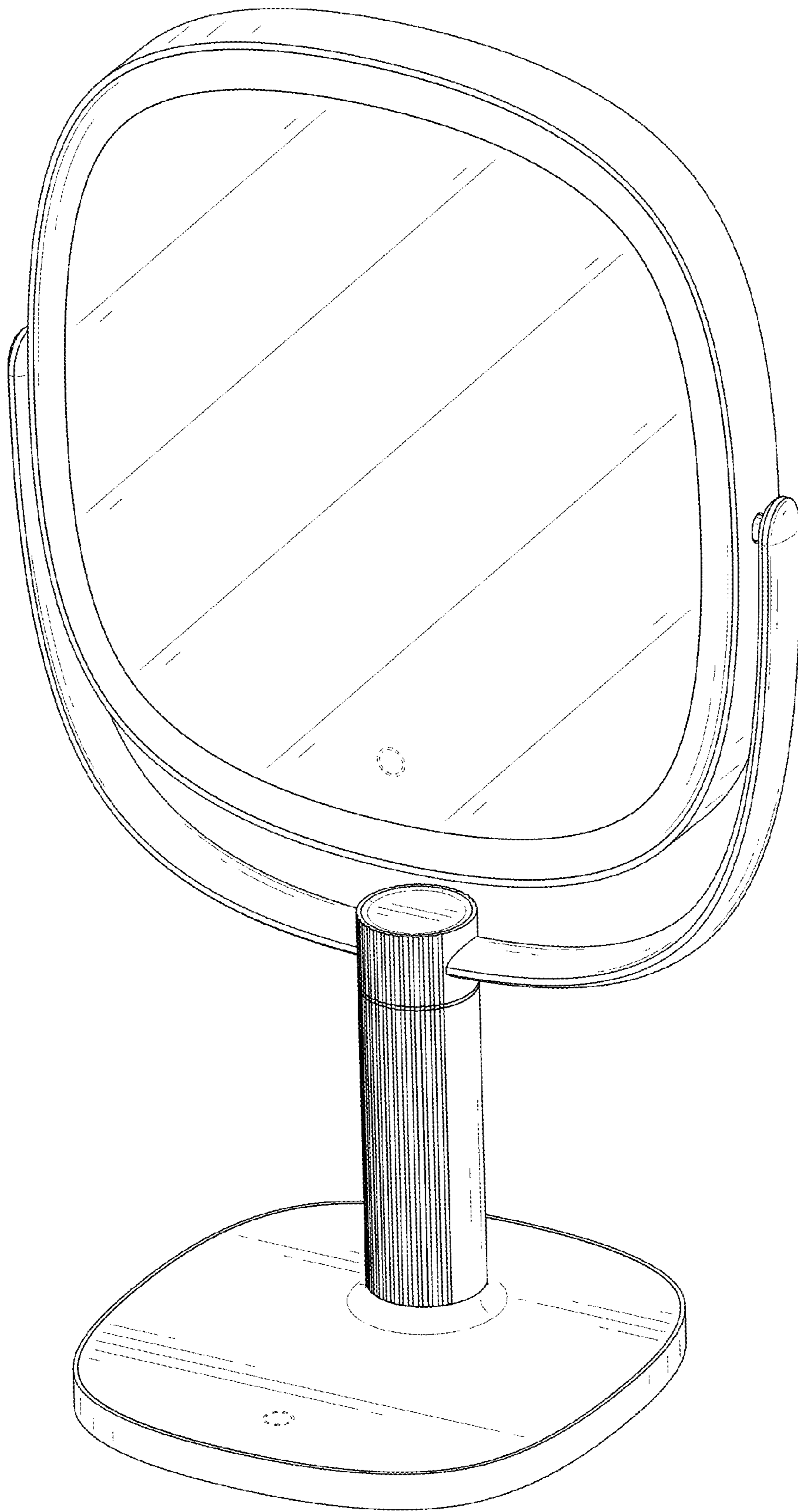


FIG. 1

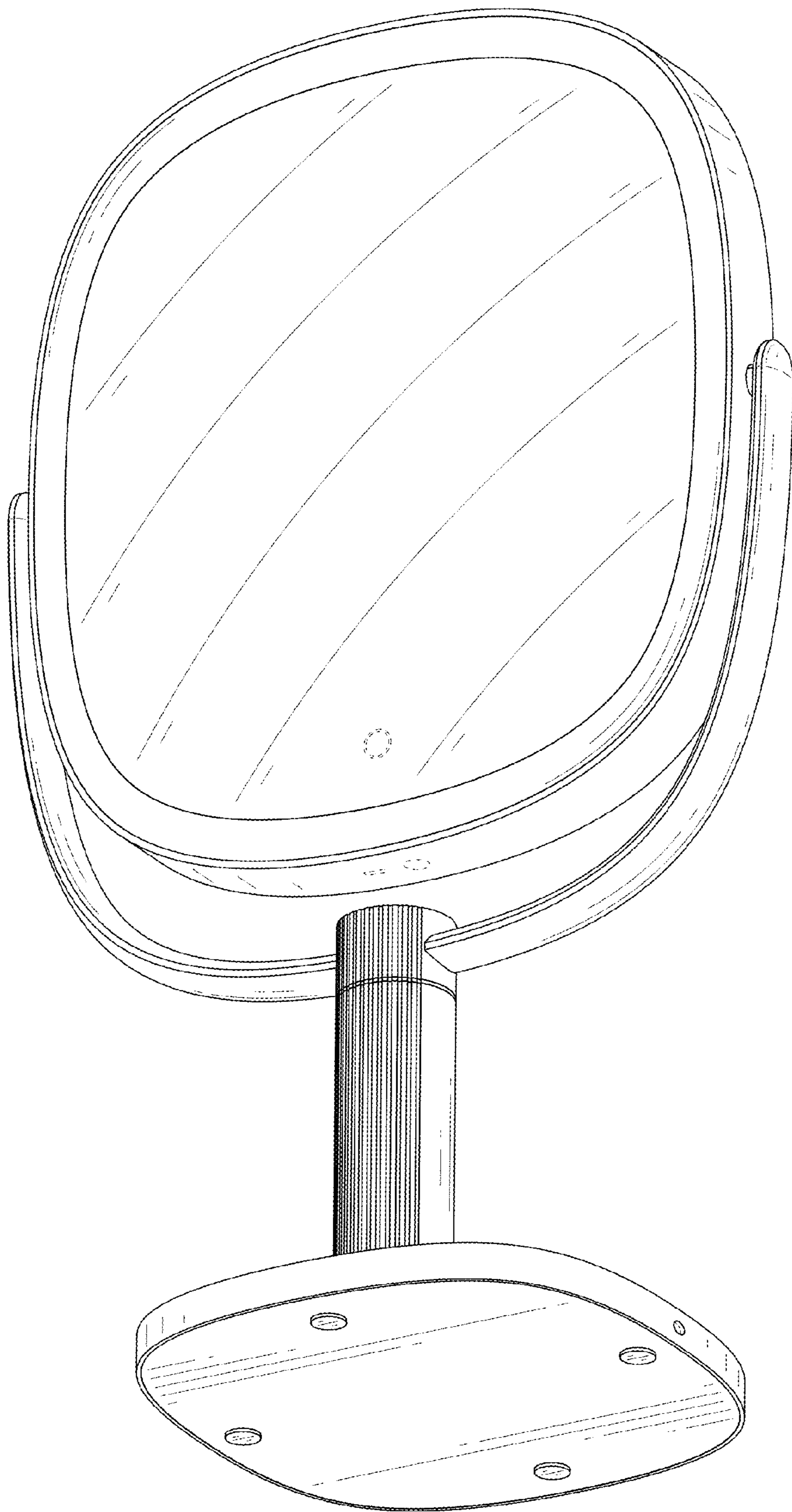


FIG. 2

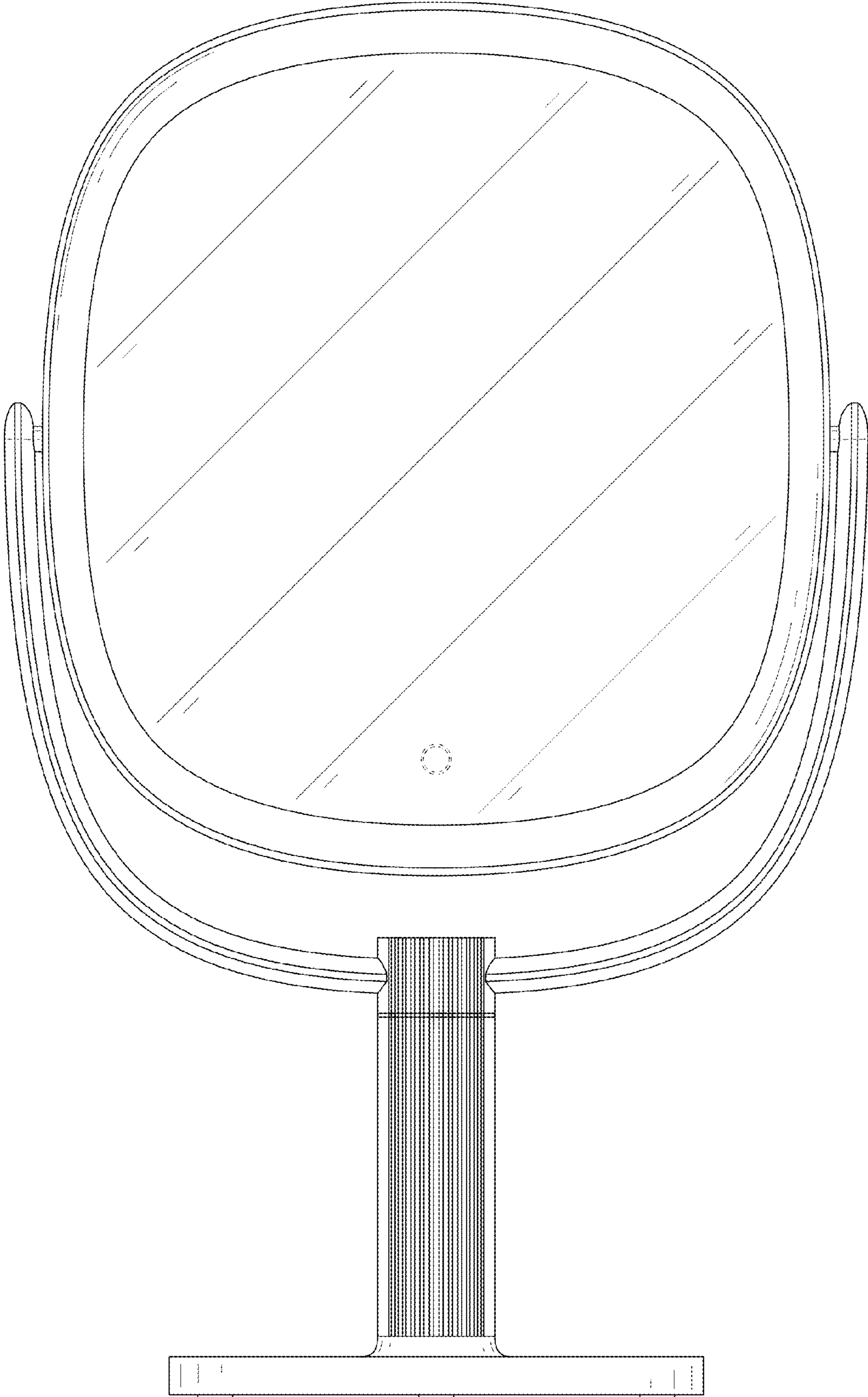


FIG. 3

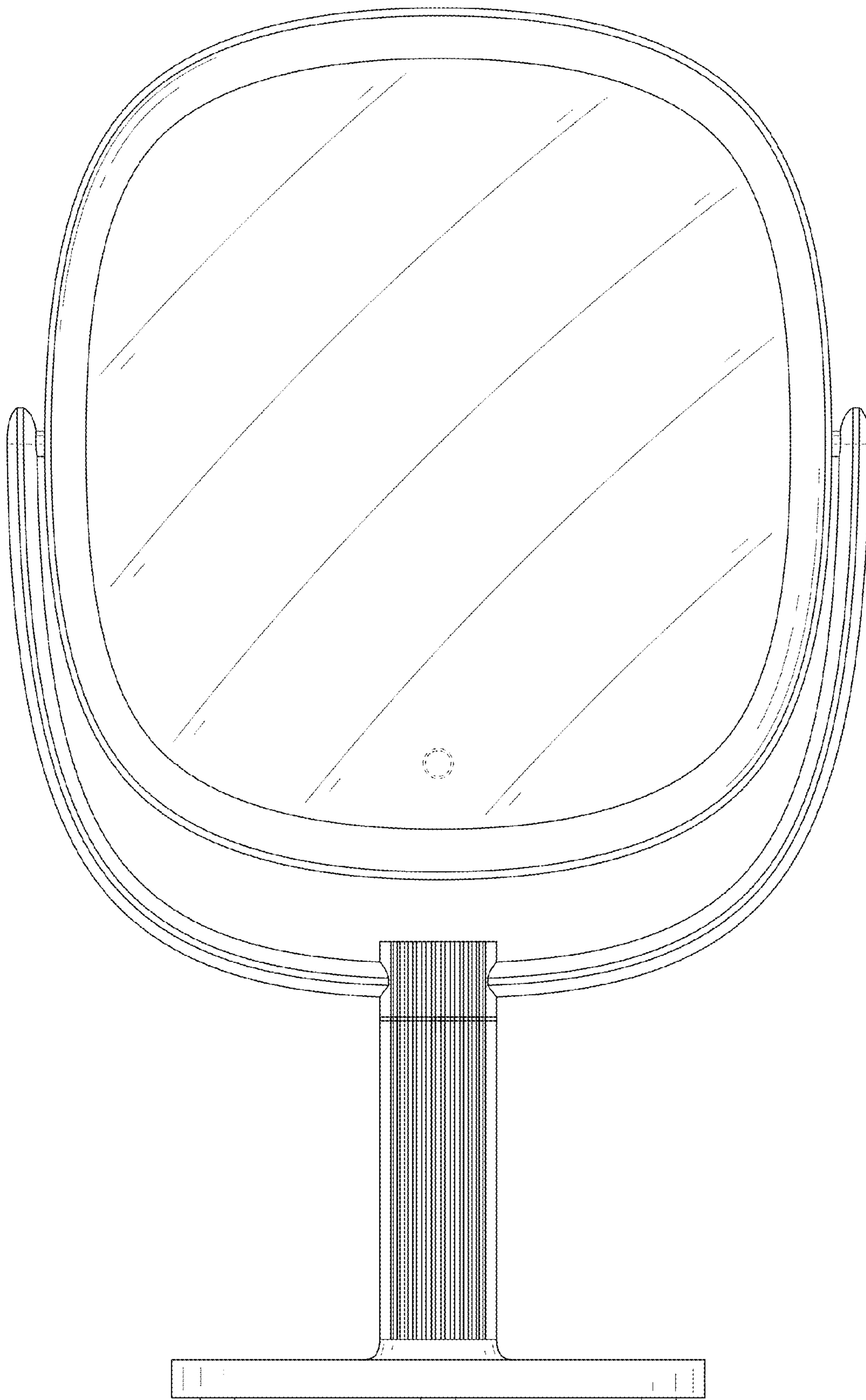


FIG. 4

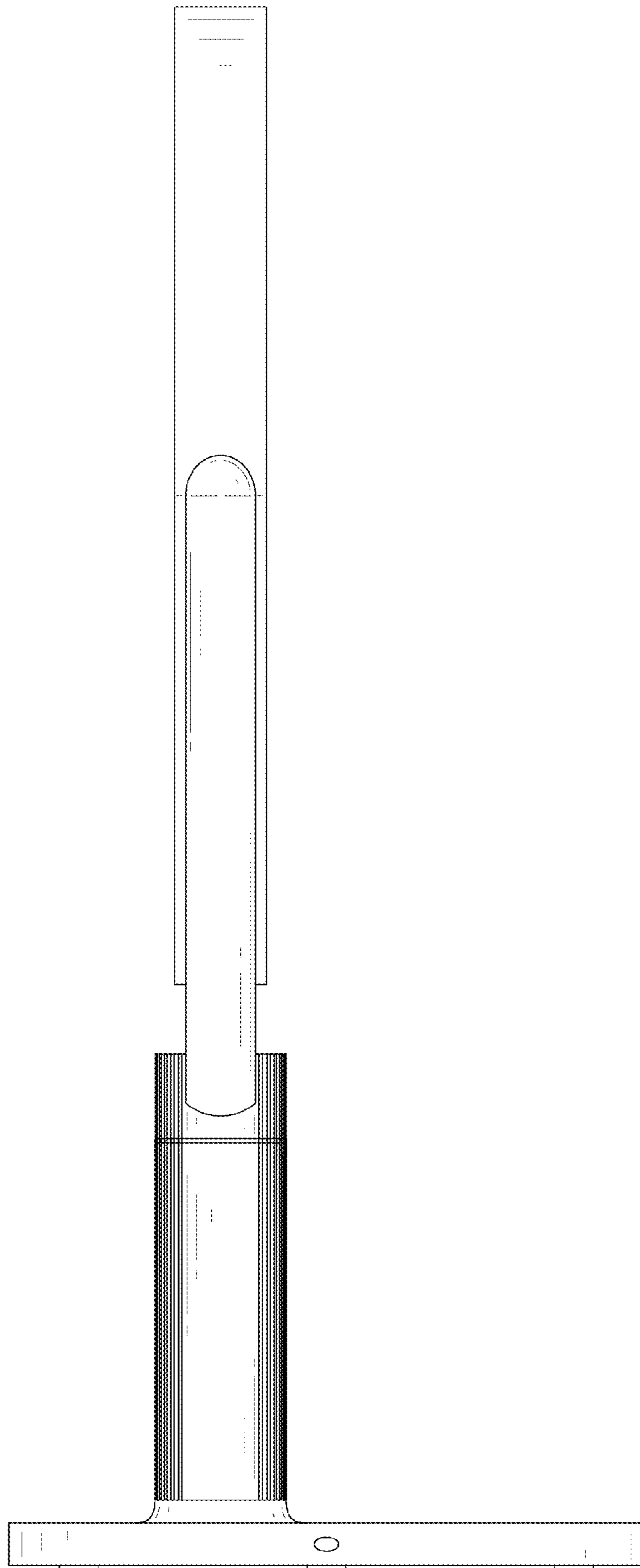


FIG. 5

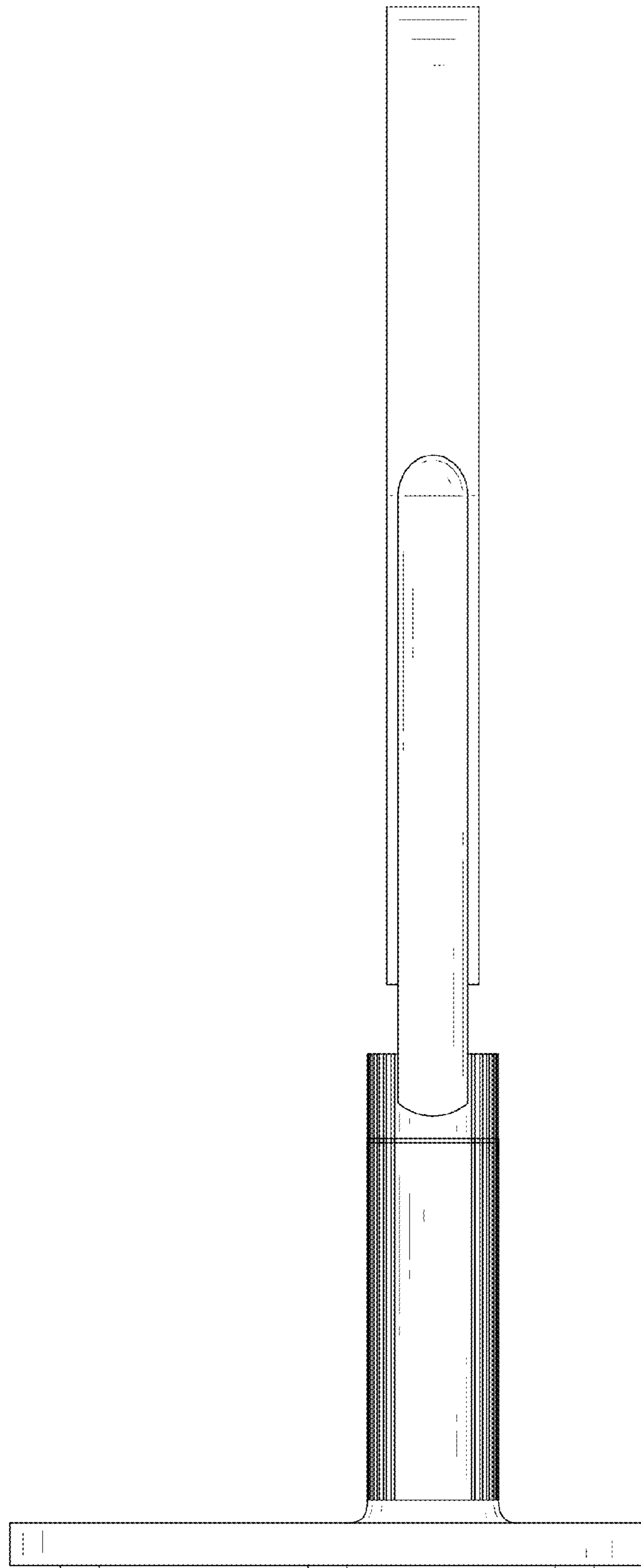


FIG. 6

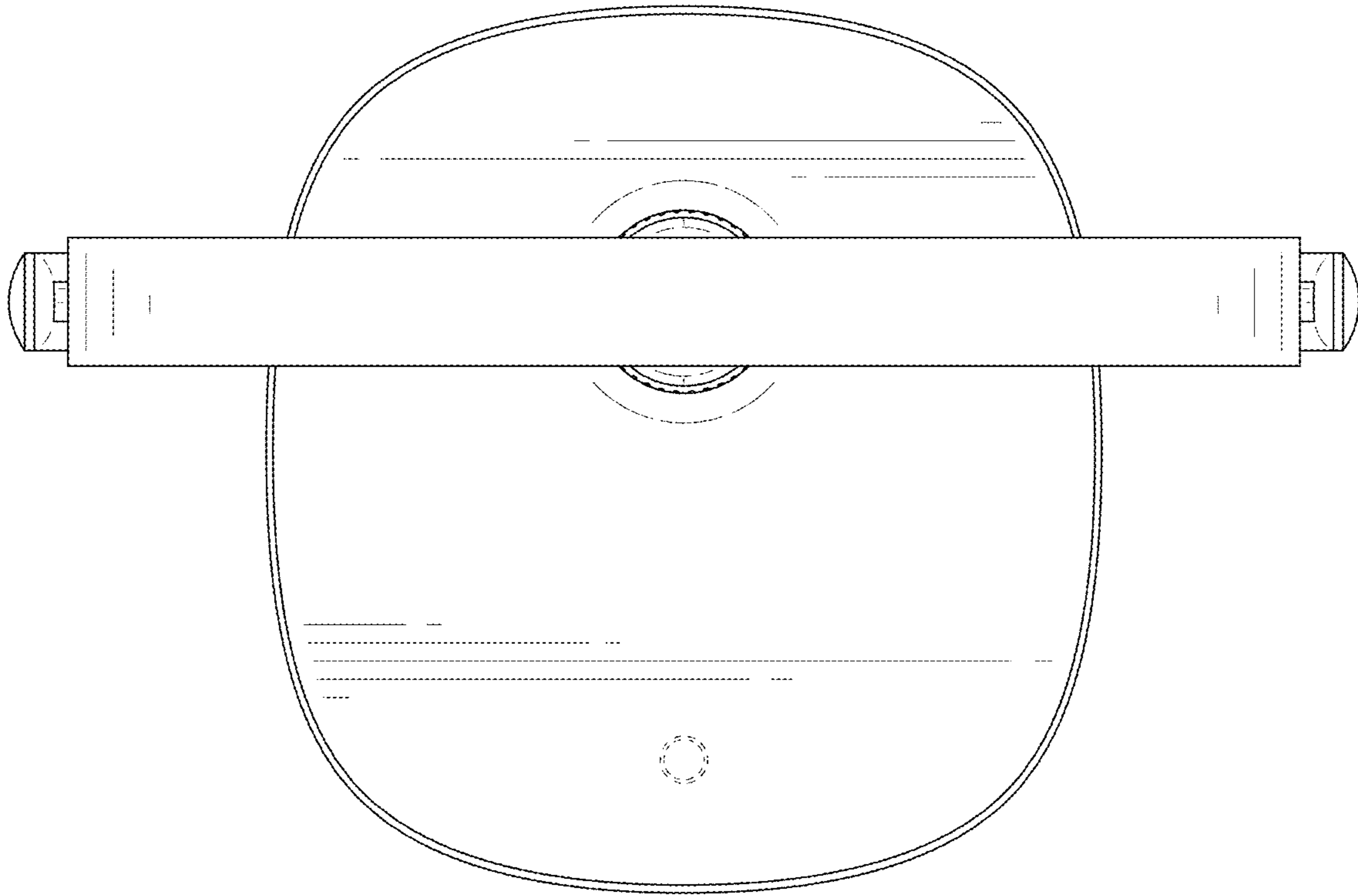


FIG. 7

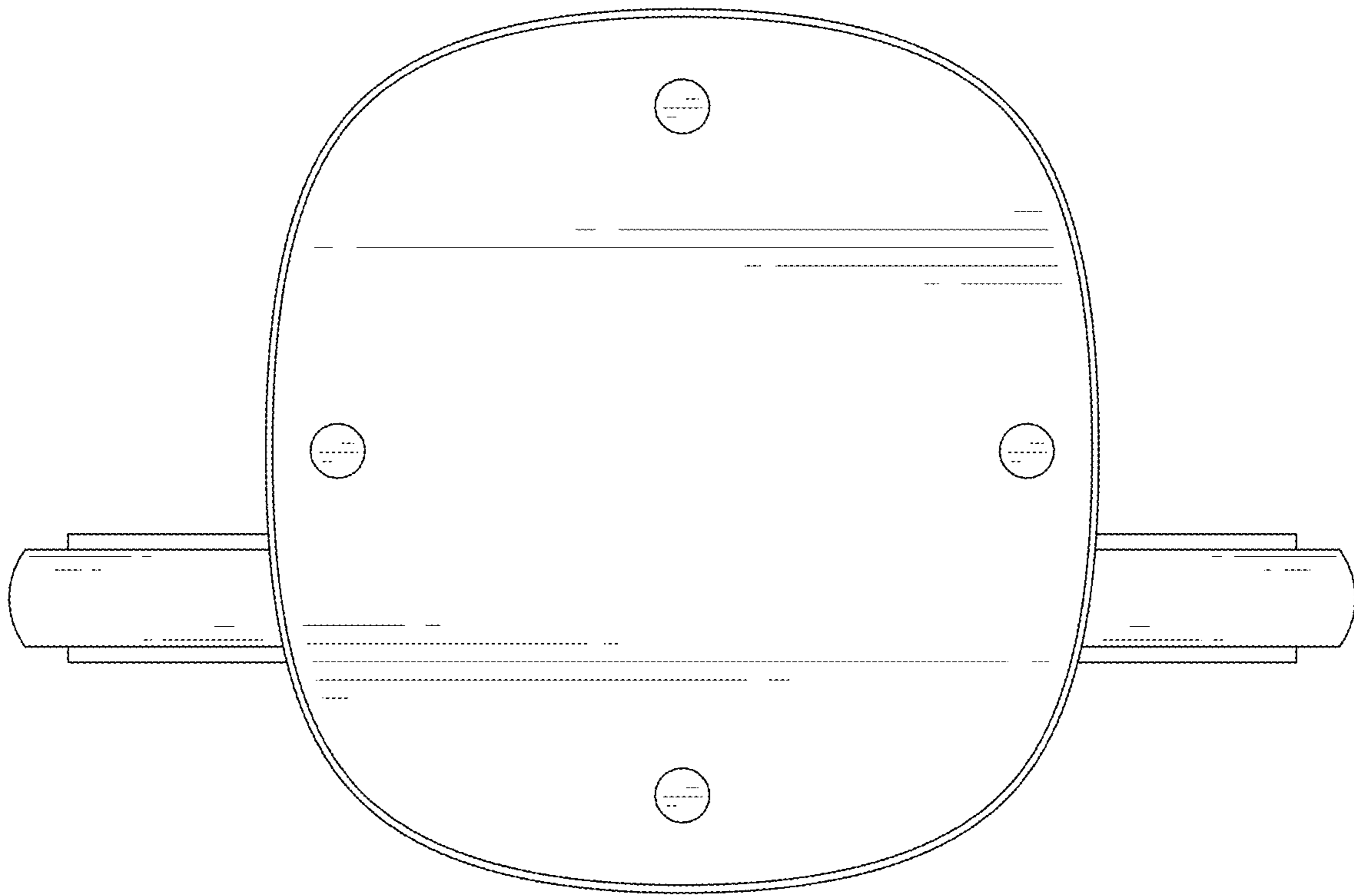


FIG. 8

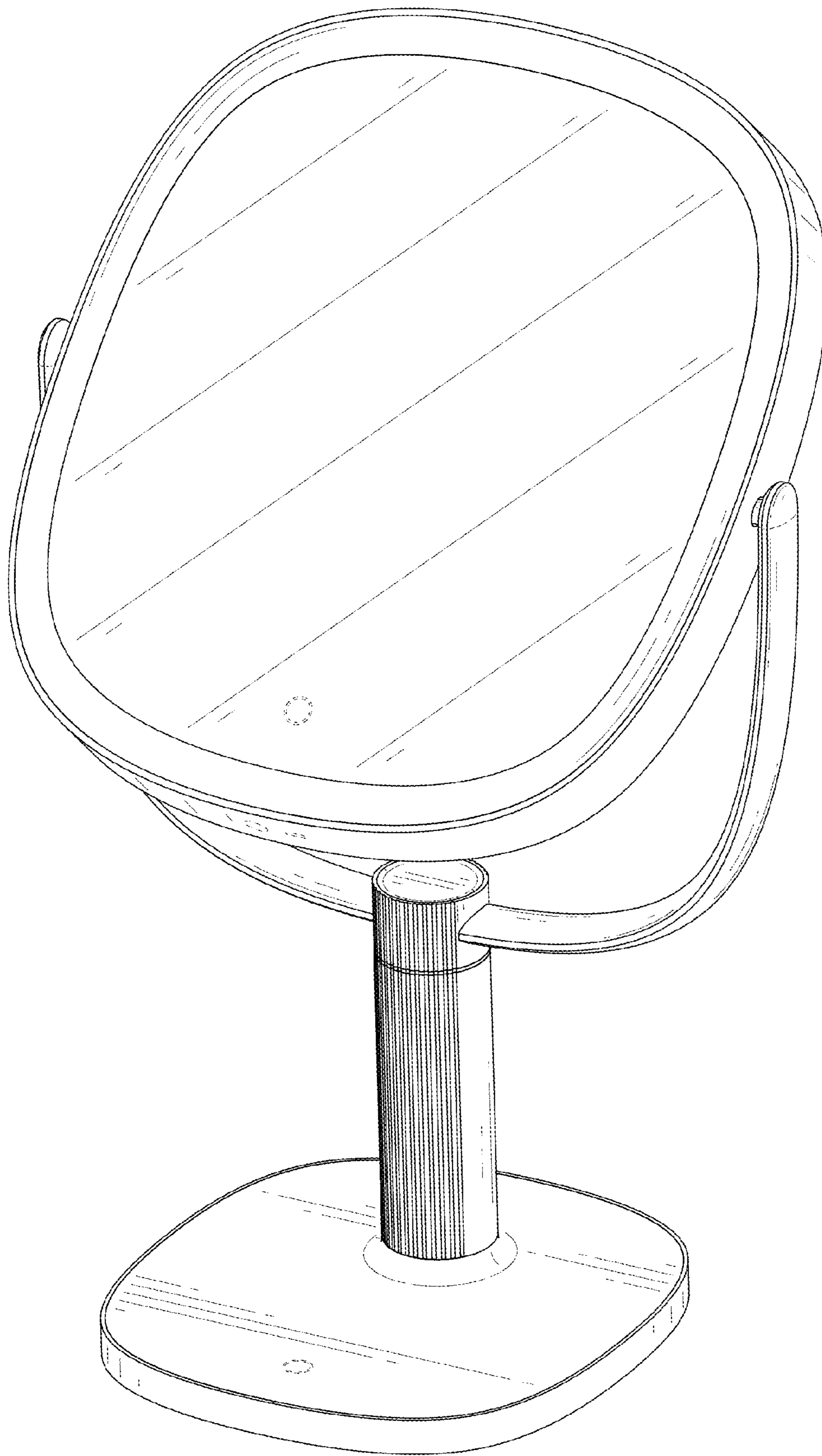


FIG. 9