



US00D919309S

(12) **United States Design Patent**  
**Liu**

(10) **Patent No.:** **US D919,309 S**  
(45) **Date of Patent:** **\*\* May 18, 2021**

- (54) **DOUBLE-SIDED MIRROR**
- (71) Applicant: **SHENZHEN SMILE TECHNOLOGY CO., LTD.**, Shenzhen (CN)
- (72) Inventor: **Jinfeng Liu**, Lianjiang (CN)
- (73) Assignee: **SHENZHEN SMILE TECHNOLOGY CO., LTD.**, Shenzhen (CN)
- (\*\*) Term: **15 Years**
- (21) Appl. No.: **29/753,160**
- (22) Filed: **Sep. 30, 2020**
- (51) **LOC (13) Cl.** ..... **06-07**
- (52) **U.S. Cl.**  
USPC ..... **D6/303; D28/64.4**
- (58) **Field of Classification Search**  
USPC ..... D6/300-314; D28/64.1, 64.4, 64.5  
CPC ..... A45D 42/00; A45D 42/10; A45D 42/16  
See application file for complete search history.

D880,774 S *	4/2020	Babayan	.....	D28/64.6
D894,615 S	9/2020	Yang		
D895,305 S	9/2020	Yang		
D895,306 S *	9/2020	Liu	.....	D6/310
D897,695 S *	10/2020	Yang	.....	D6/309

**FOREIGN PATENT DOCUMENTS**

CN	305101691	*	4/2019
CN	306186478	*	11/2020
EM	008375786-0009	*	1/2021

\* cited by examiner

*Primary Examiner* — Deanna L Pratt

(57) **CLAIM**

The ornamental design for a double-sided mirror, as shown and described.

**DESCRIPTION**

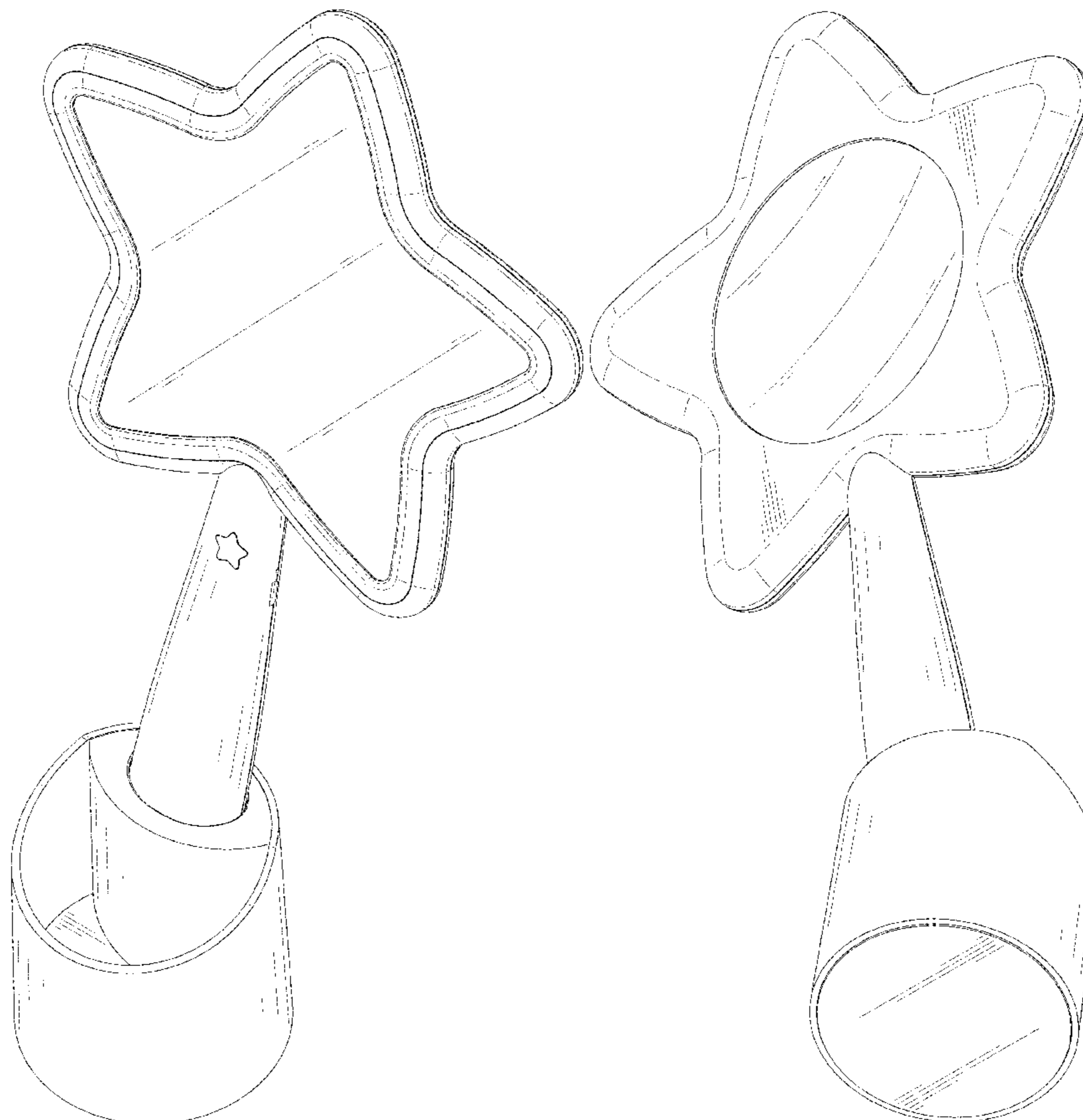
FIG. 1 is a perspective view of a double-sided mirror showing my new design;  
 FIG. 2 is another perspective view thereof;  
 FIG. 3 is a front elevational view thereof;  
 FIG. 4 is a rear elevational view thereof;  
 FIG. 5 is a left side elevational view thereof;  
 FIG. 6 is a right side elevational view thereof;  
 FIG. 7 is a top plan view thereof; and,  
 FIG. 8 is a bottom plan view thereof.

**1 Claim, 8 Drawing Sheets**

(56) **References Cited**

**U.S. PATENT DOCUMENTS**

D540,549 S *	4/2007	Yue	.....	D6/312
D802,309 S *	11/2017	Halkett	.....	D6/303



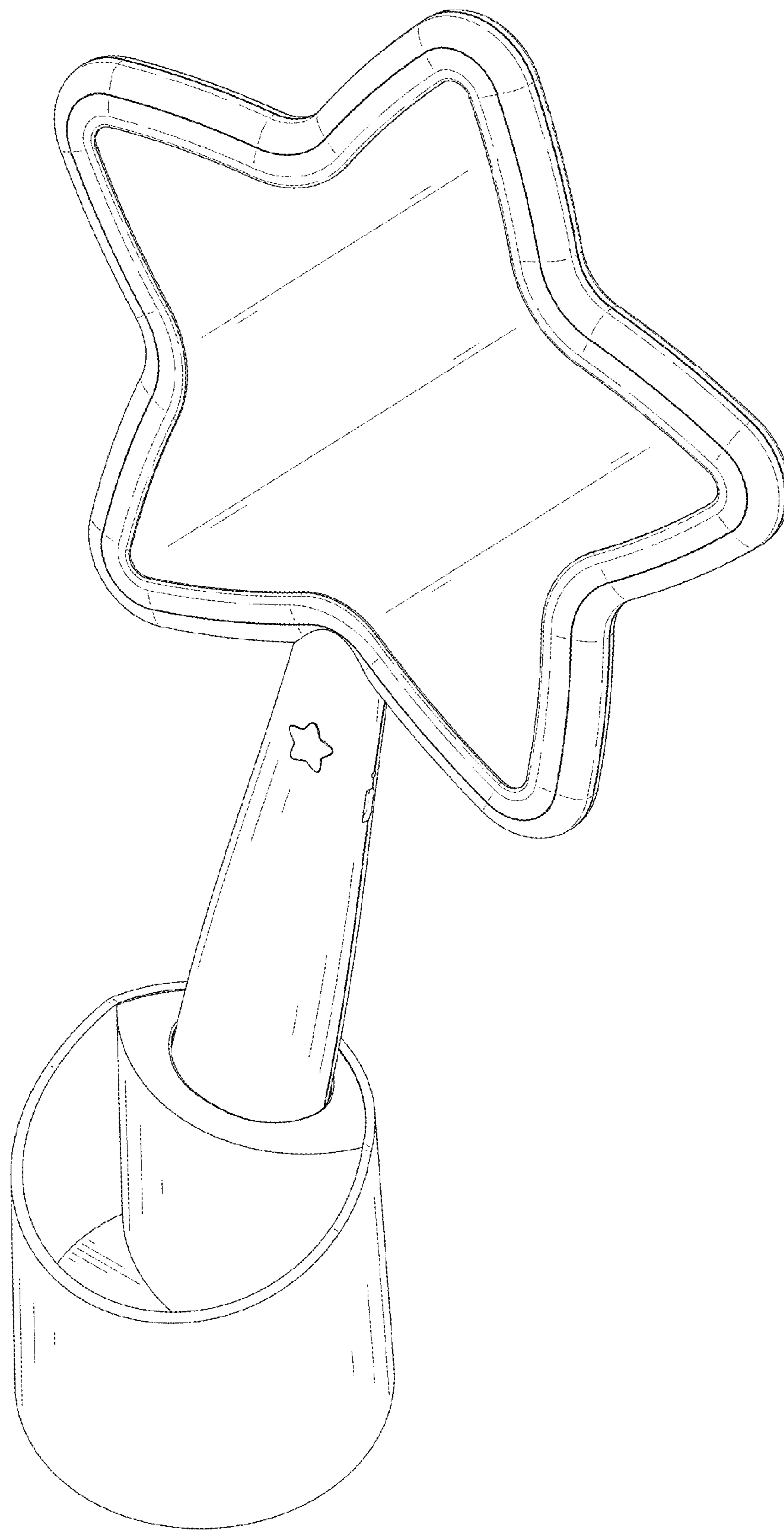


FIG. 1



FIG. 2

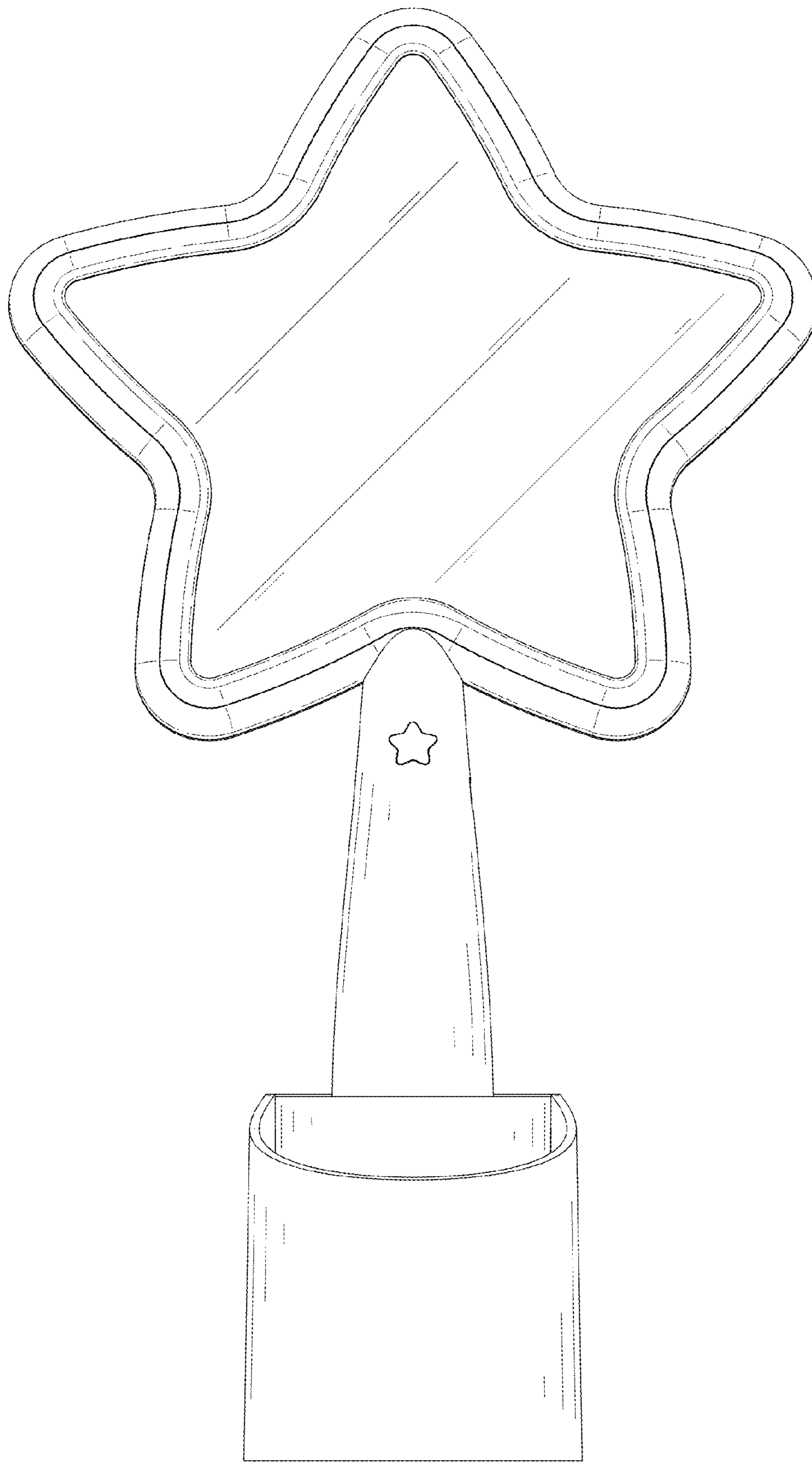


FIG. 3

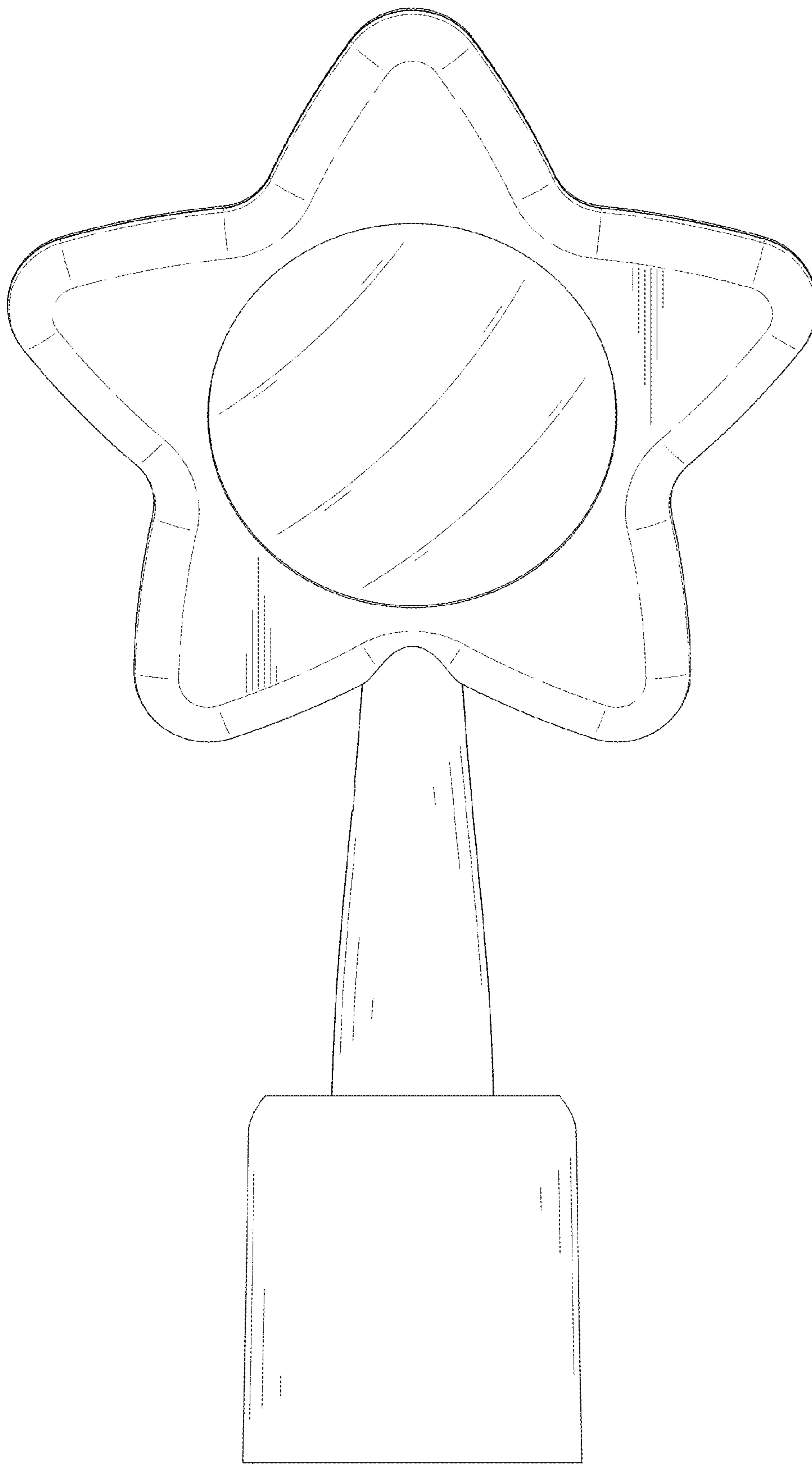


FIG. 4

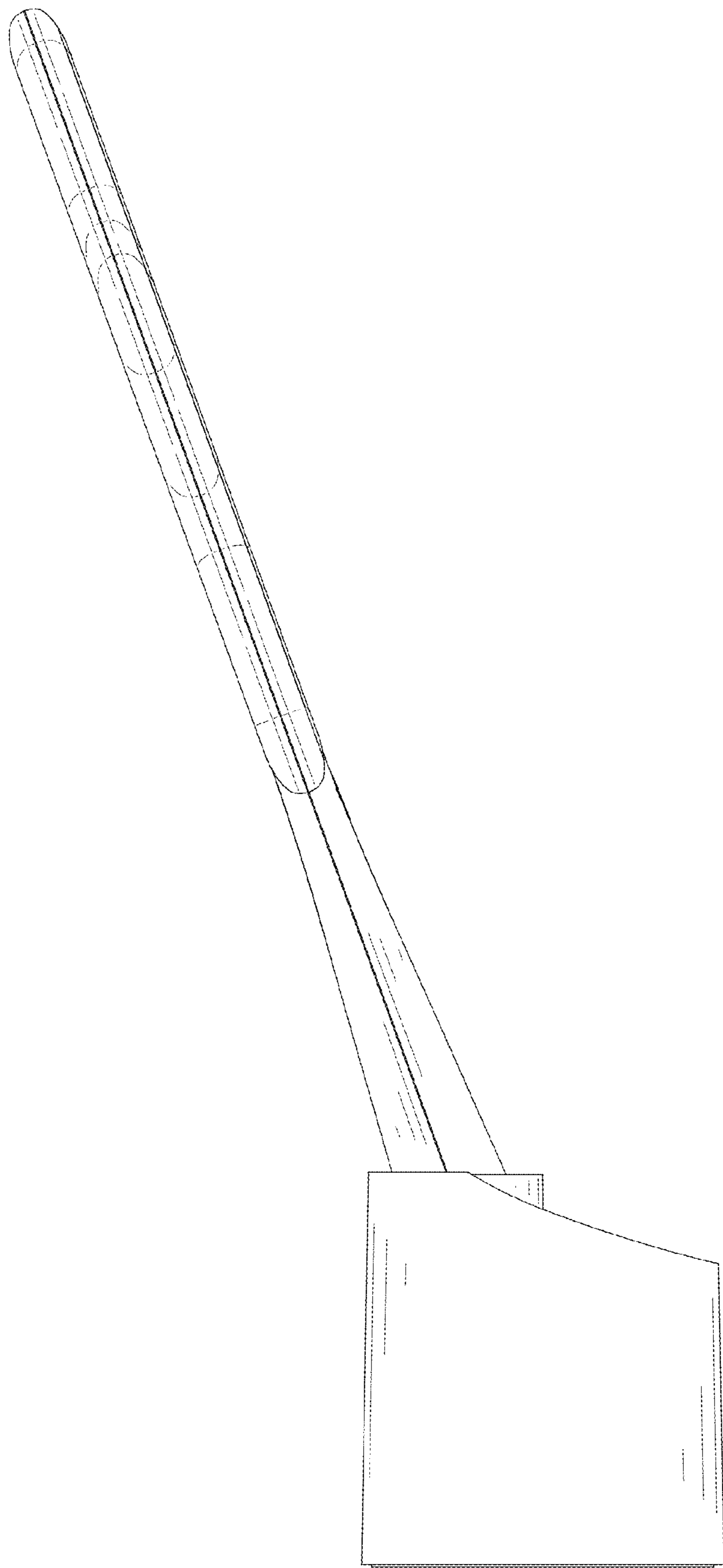


FIG. 5

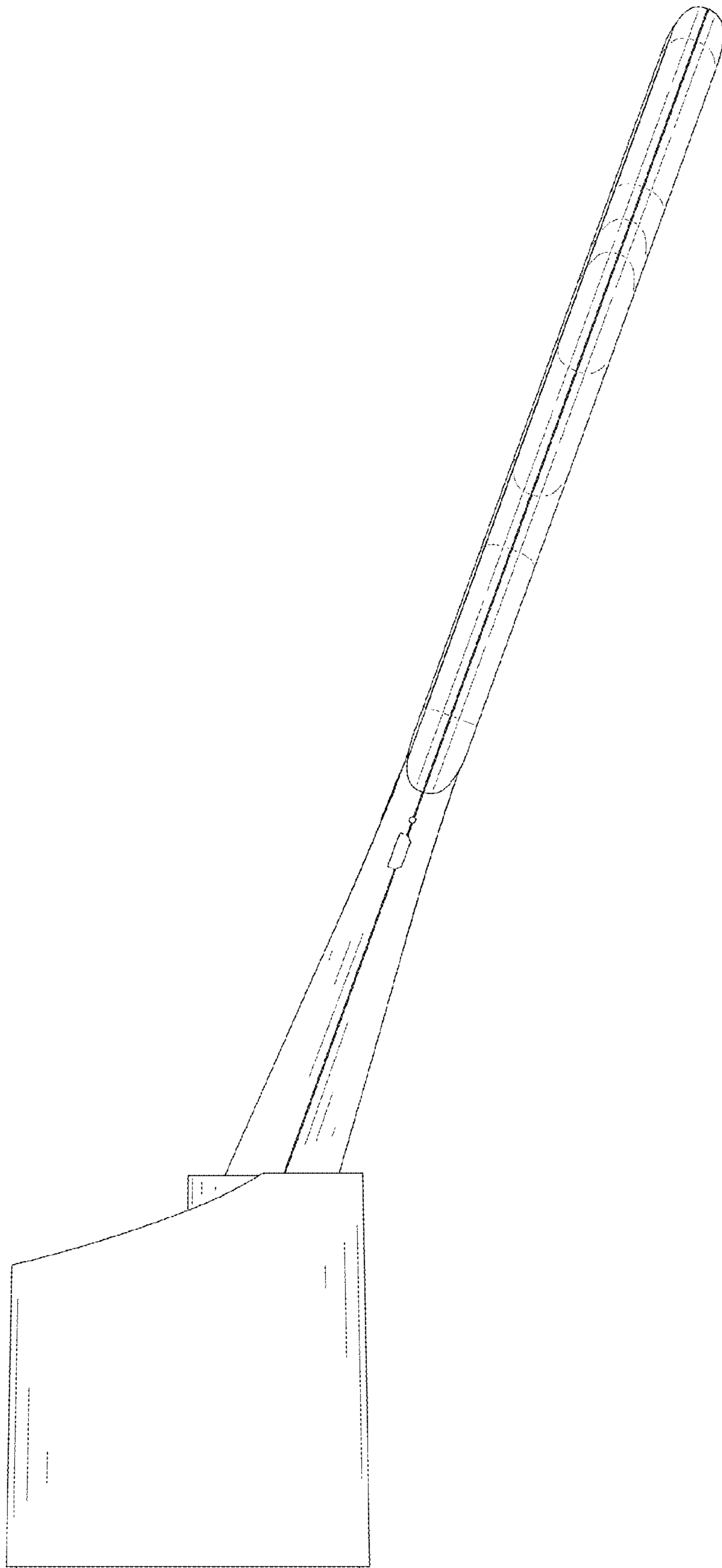


FIG. 6

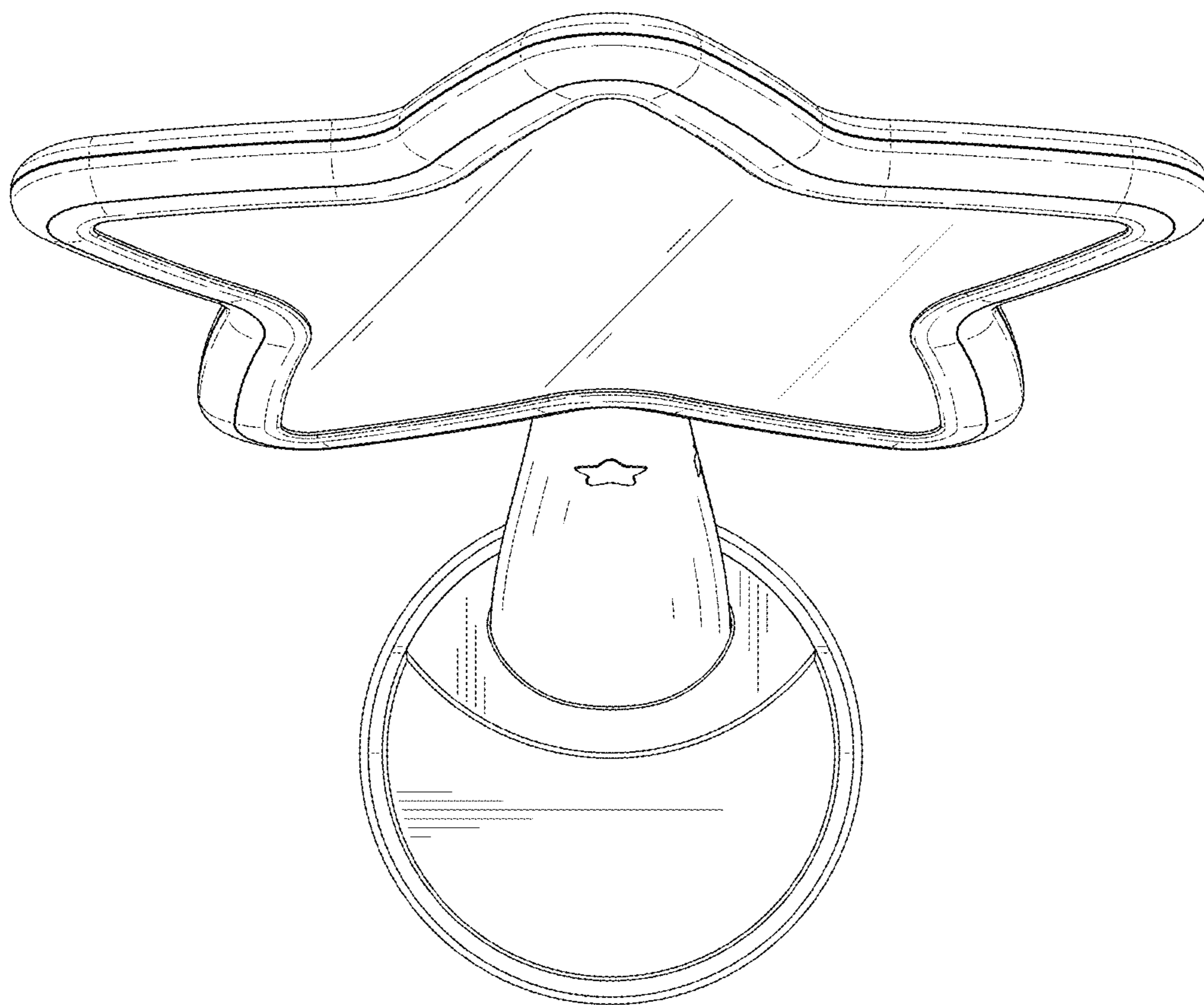


FIG. 7



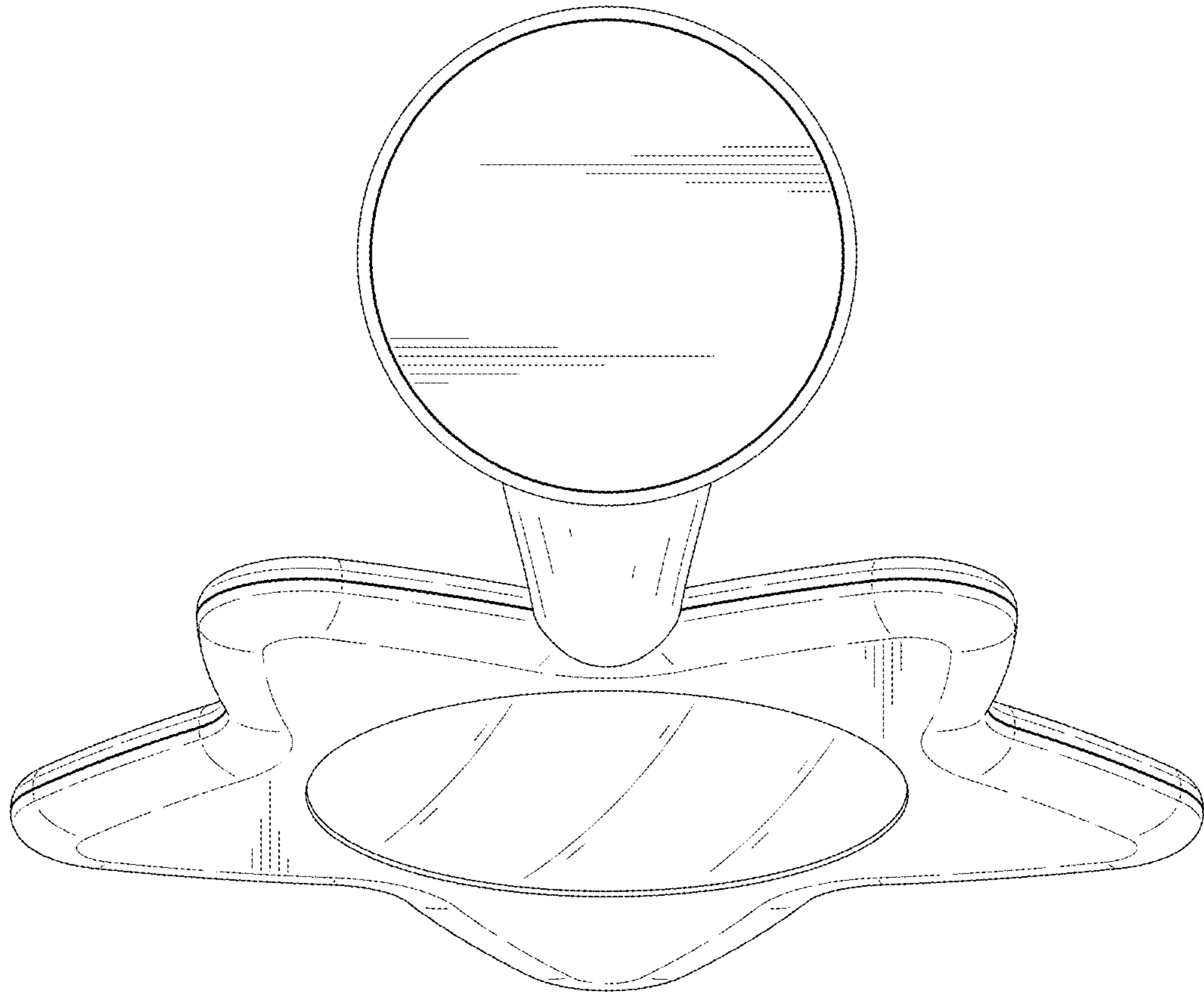


FIG. 8