



US00D919308S

(12) **United States Design Patent**  
**Yang**

(10) **Patent No.:** **US D919,308 S**

(45) **Date of Patent:** **\*\* May 18, 2021**

(54) **MAKEUP MIRROR**

D546,566 S	7/2007	Mischel, Jr.	
D552,851 S *	10/2007	Abrahamian	D6/301
D859,011 S	9/2019	Liu	
D877,520 S *	3/2020	Estores	D6/301

(71) Applicant: **DONGGUAN POWERME PLASTIC MFG. CO., LTD.**, Dongguan (CN)

(72) Inventor: **Guowei Yang**, Dongguan (CN)

(73) Assignee: **DONGGUAN POWERME PLASTIC MFG. CO., LTD.**, Dongguan (CN)

(\*\*) Term: **15 Years**

(21) Appl. No.: **29/751,893**

(22) Filed: **Sep. 24, 2020**

(51) **LOC (13) Cl.** ..... **06-07**

(52) **U.S. Cl.**  
USPC ..... **D6/301**

(58) **Field of Classification Search**  
USPC ..... D6/300-314  
CPC ..... A47G 1/06; A47G 1/065  
See application file for complete search history.

(56) **References Cited**

**U.S. PATENT DOCUMENTS**

365,183 A *	6/1887	Hufeland	B60R 1/081
			359/854
2,201,251 A *	5/1940	Van Patten	A45D 42/10
			362/141
D152,347 S *	1/1949	Marty	D6/301
2,763,186 A *	9/1956	Barlow	A47G 1/04
			359/854
D370,129 S *	5/1996	Freudenfeld	D6/301

**FOREIGN PATENT DOCUMENTS**

CN	305043990	*	2/2019
CN	306166209	*	11/2020
EM	008073266-0001	*	8/2020
EM	008186670-0001	*	9/2020

\* cited by examiner

*Primary Examiner* — Deanna L Pratt

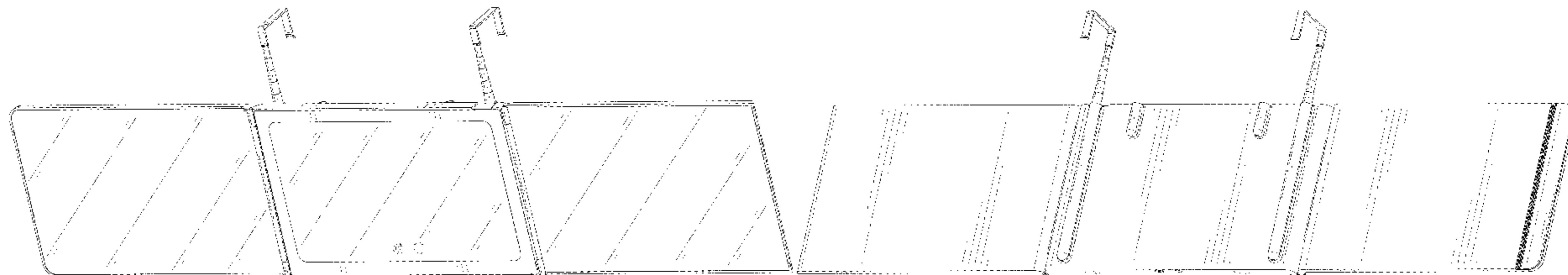
(57) **CLAIM**

The ornamental design for a makeup mirror, as shown and described.

**DESCRIPTION**

FIG. 1 is a perspective view of a makeup mirror showing my new design;  
 FIG. 2 is another perspective view thereof;  
 FIG. 3 is a front elevational view thereof;  
 FIG. 4 is a rear elevational view thereof;  
 FIG. 5 is a left side elevational view thereof;  
 FIG. 6 is a right side elevational view thereof;  
 FIG. 7 is a top plan view thereof;  
 FIG. 8 is a bottom plan view thereof; and,  
 FIG. 9 is a perspective view of the makeup mirror where the makeup mirror is in a folded state.  
 The broken lines in the drawings depict portions of the makeup mirror that form no part of the claimed design.

**1 Claim, 9 Drawing Sheets**



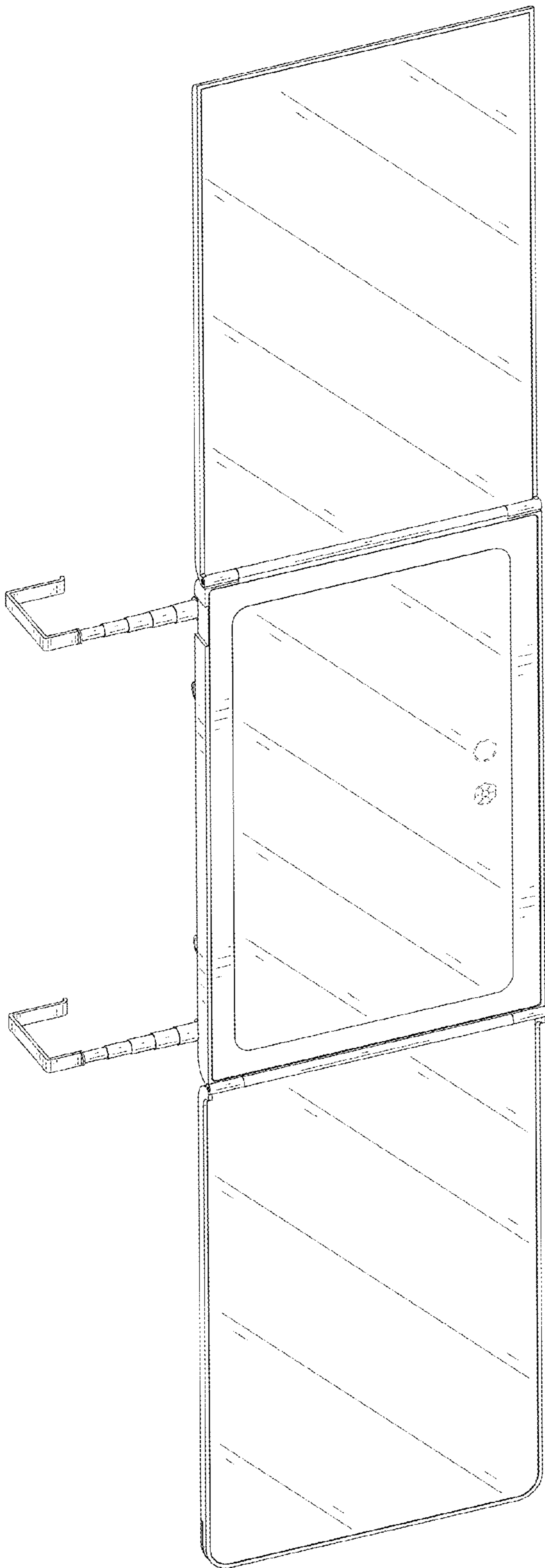


FIG. 1

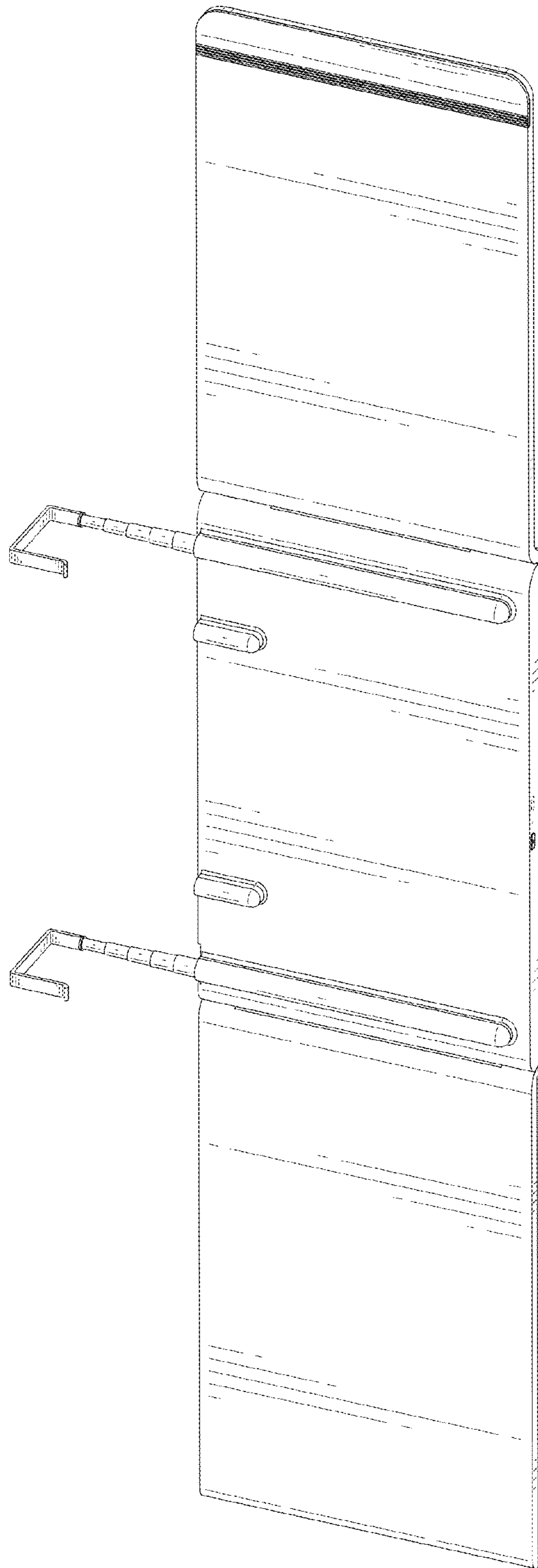


FIG. 2

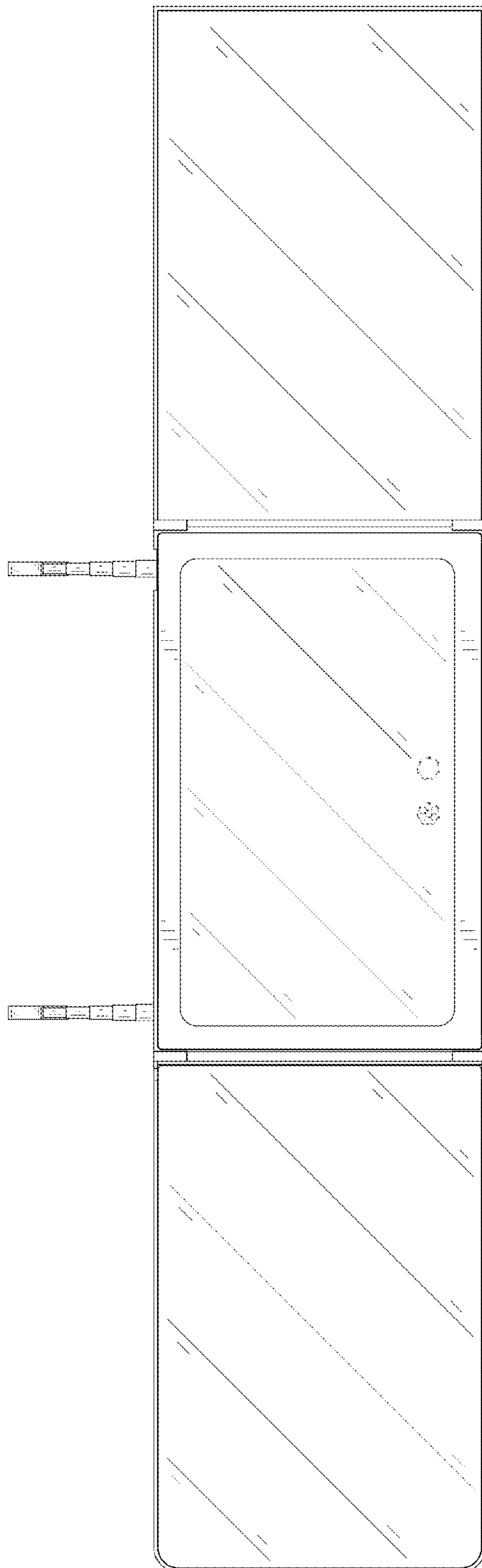


FIG. 3

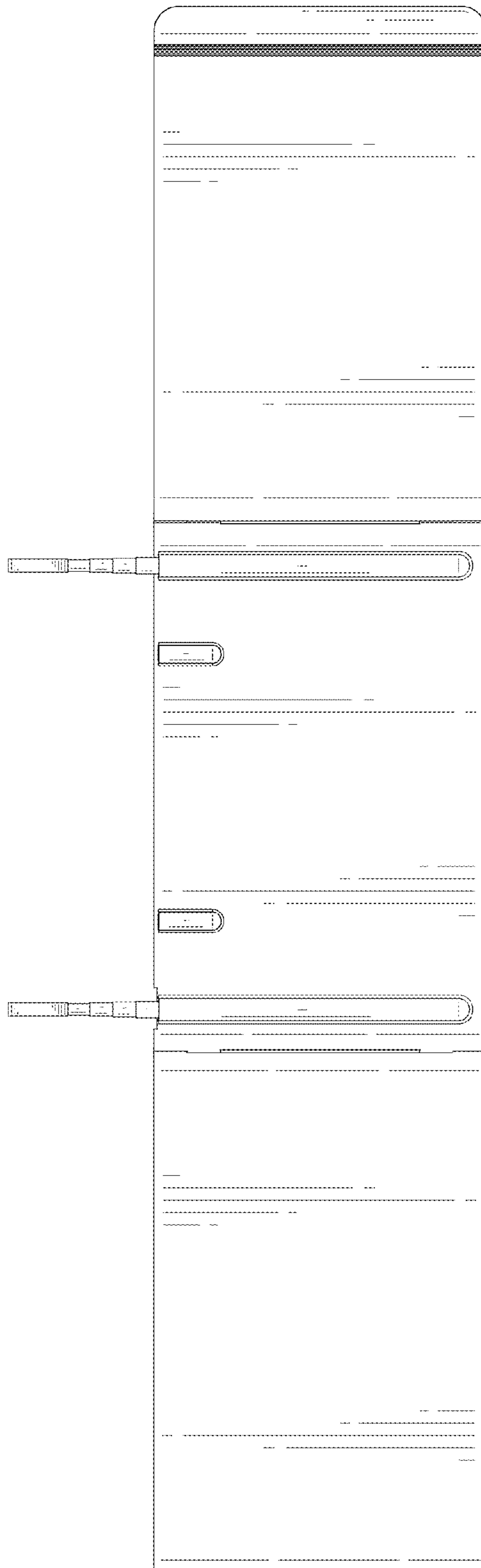


FIG. 4

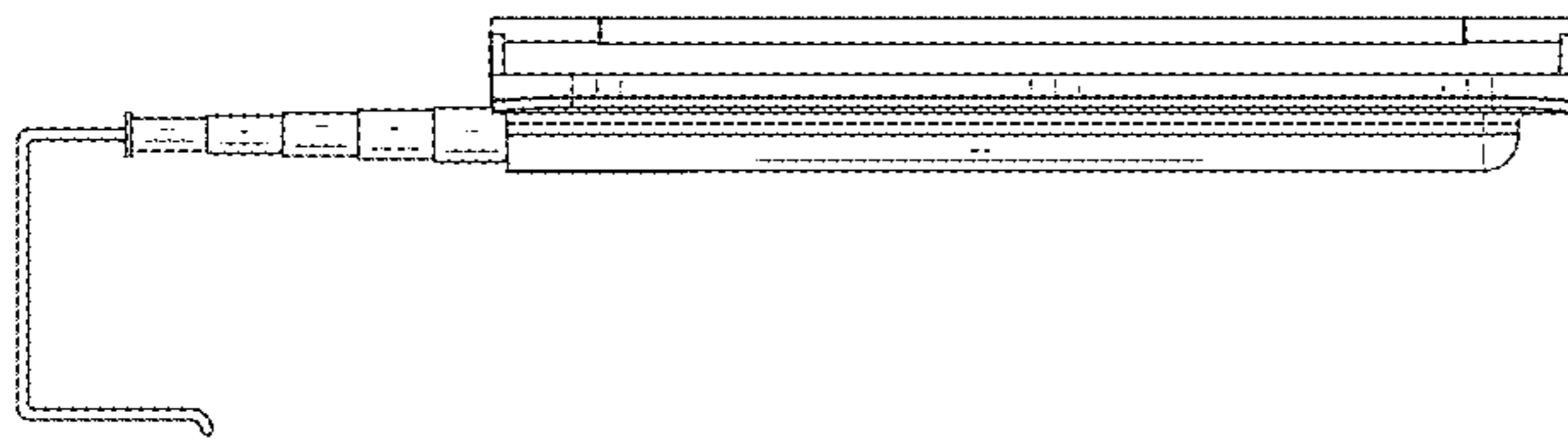


FIG. 5

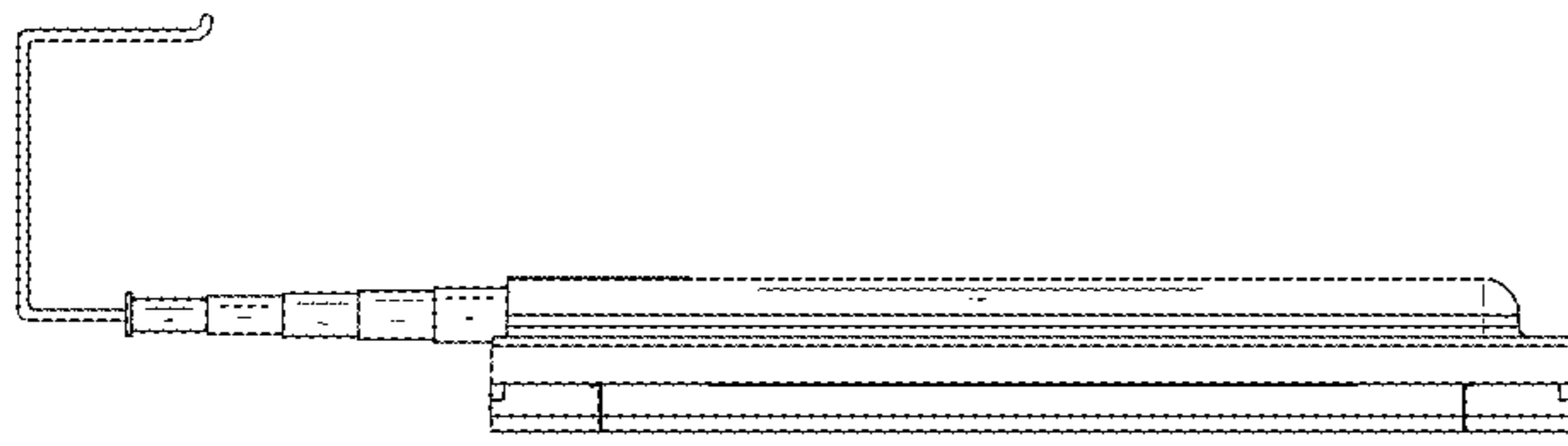


FIG. 6

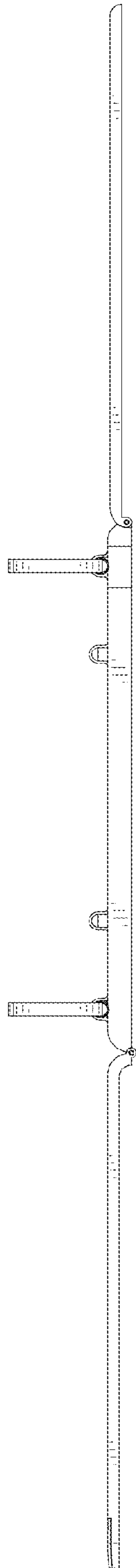


FIG. 7



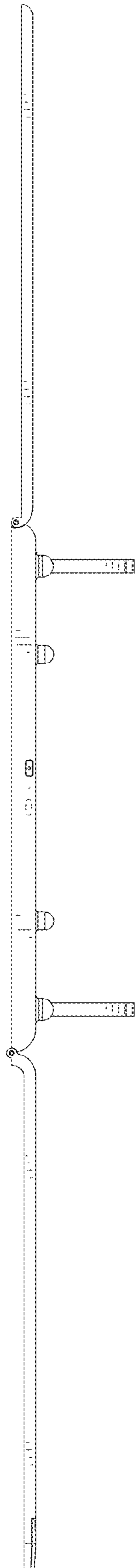


FIG. 8

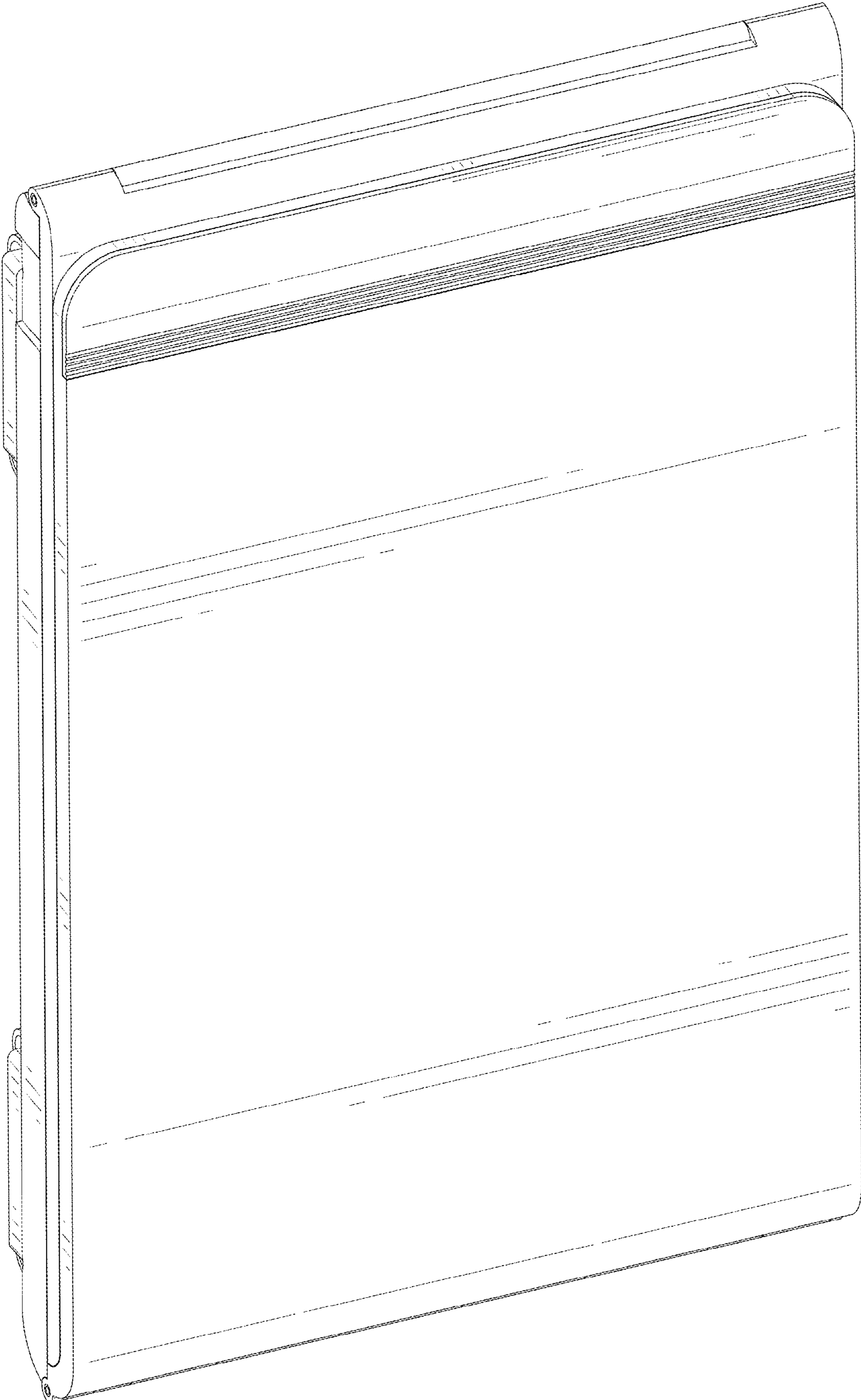


FIG. 9