



US00D919305S

(12) **United States Design Patent** (10) **Patent No.:** **US D919,305 S**
Godin et al. (45) **Date of Patent:** **** May 18, 2021**

(54) **PAISLEY-SHAPED COSMETICS BRUSH HEAD**

D818,275 S * 5/2018 Grund D4/120
D845,646 S * 4/2019 Nicoline D4/138
2016/0081456 A1* 3/2016 Grund A45D 34/04
132/200

(71) Applicant: **ANISA INTERNATIONAL, INC.**,
Atlanta, GA (US)

FOREIGN PATENT DOCUMENTS

(72) Inventors: **Sarina Godin**, Sandy Springs, GA
(US); **NaTasha Miller**, Atlanta, GA
(US)

CN 305547983 * 1/2020
EM 003307867-0015 * 7/2016
WO 2018011665 1/2018

(73) Assignee: **Anisa International, Inc.**, Atlanta, GA
(US)

OTHER PUBLICATIONS

(**) Term: **15 Years**

Pennelli Faro S.R.L.; Design information for European design No.
003307867-0001, filed Jul. 15, 2016, 3 pgs.

(21) Appl. No.: **29/700,944**

* cited by examiner

(22) Filed: **Aug. 7, 2019**

Primary Examiner — Karen E Eldridge Powers
(74) *Attorney, Agent, or Firm* — Taylor English Duma
LLP

(51) **LOC (13) Cl.** **04-02**

(52) **U.S. Cl.**
USPC **D4/134**

(57) **CLAIM**

(58) **Field of Classification Search**
USPC D4/114, 115, 116, 117, 118, 119, 120,
D4/121, 122, 123, 124, 125, 126, 127,
D4/128, 129, 130, 131, 132, 133, 134,
D4/135, 136, 137, 138, 199; D28/7
CPC A46B 9/021
See application file for complete search history.

We claim the ornamental design for a paisley-shaped cosmetics brush head, as shown and described.

DESCRIPTION

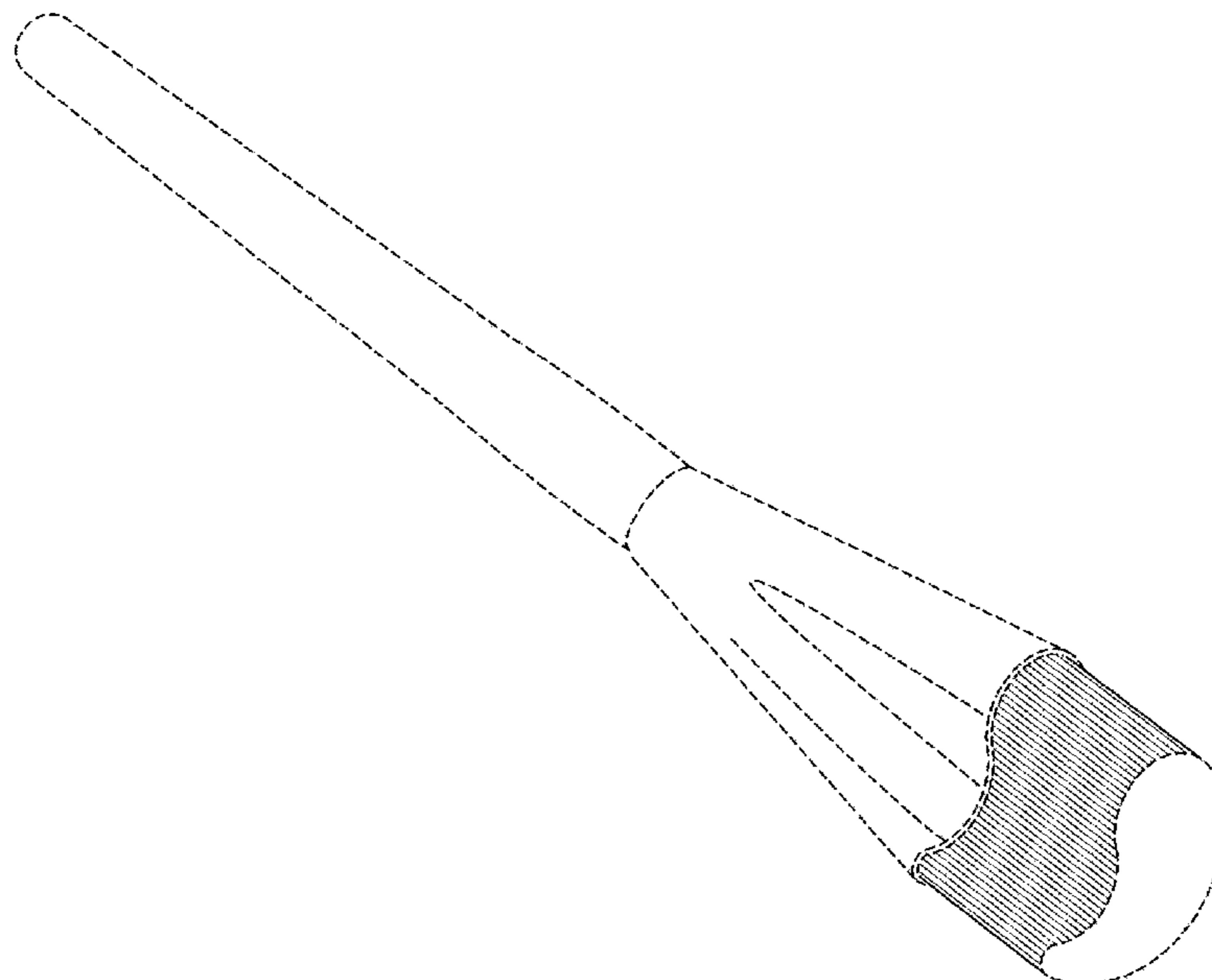
(56) **References Cited**

U.S. PATENT DOCUMENTS

D19,261 S * 8/1889 Berry D4/124
D123,699 S * 11/1940 Le Febvre D4/138
D274,273 S * 6/1984 Auerbach D32/35
D466,695 S * 12/2002 Chen D24/211
7,950,402 B1 * 5/2011 Cole A45D 40/262
132/320
D749,859 S * 2/2016 Snook D4/135
D807,043 S * 1/2018 Grund D4/120

FIG. 1 is a perspective view of a paisley-shaped cosmetics brush head.
FIG. 2 is a front elevation view thereof.
FIG. 3 is a rear elevation view thereof.
FIG. 4 is a right-side elevation view thereof.
FIG. 5 is a left-side elevation view thereof.
FIG. 6 is a top plan view thereof; and,
FIG. 7 is a bottom plan view thereof.
The invention pertains to an ornamental design for a paisley-shaped cosmetics brush head. Those features shown in broken lines form no part of the claimed design.

1 Claim, 4 Drawing Sheets



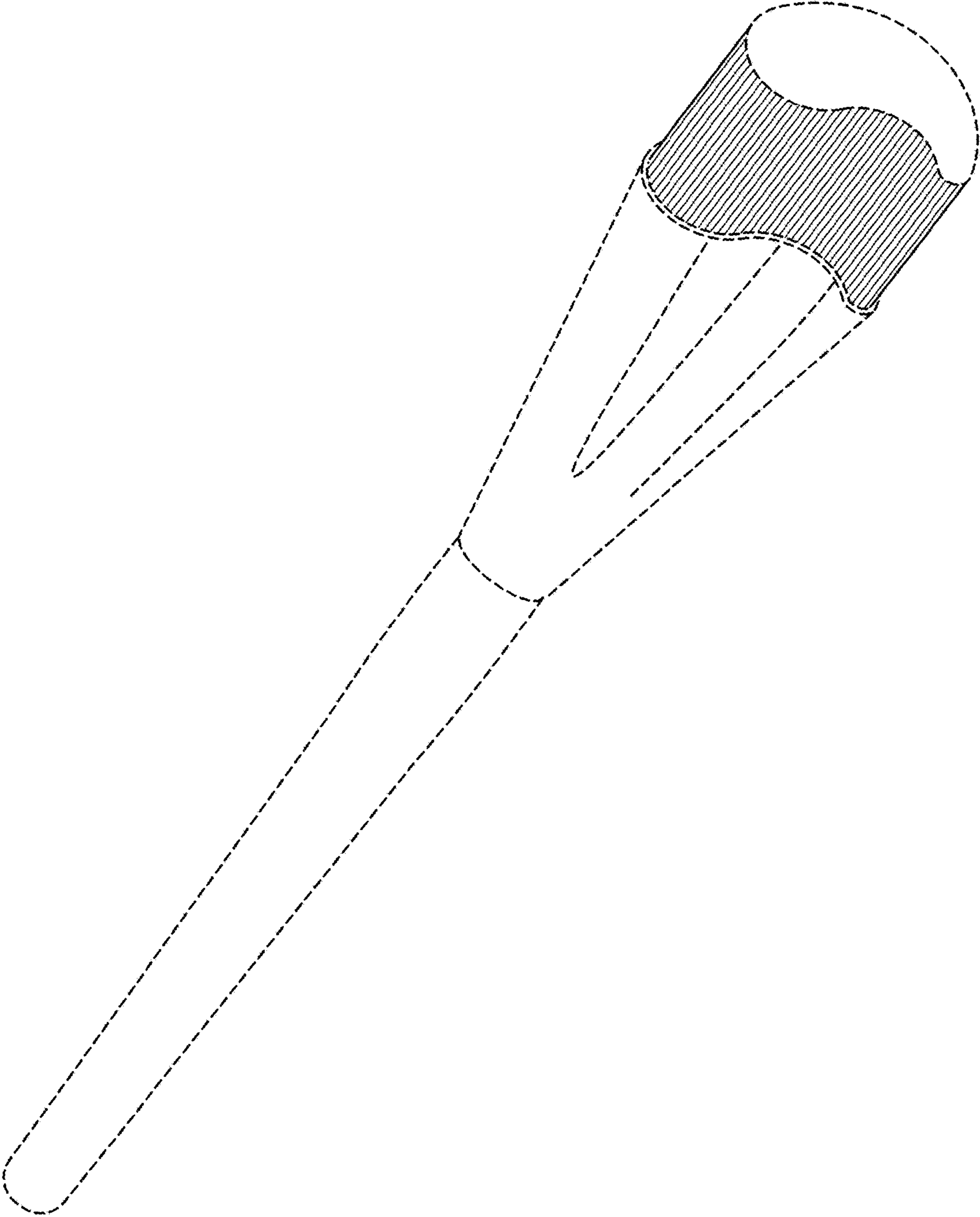


FIG. 1

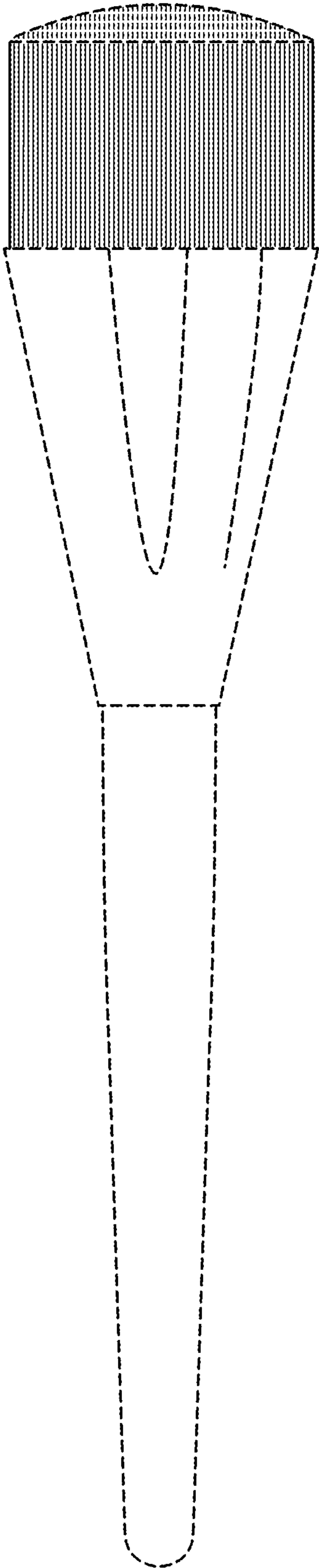


FIG. 2

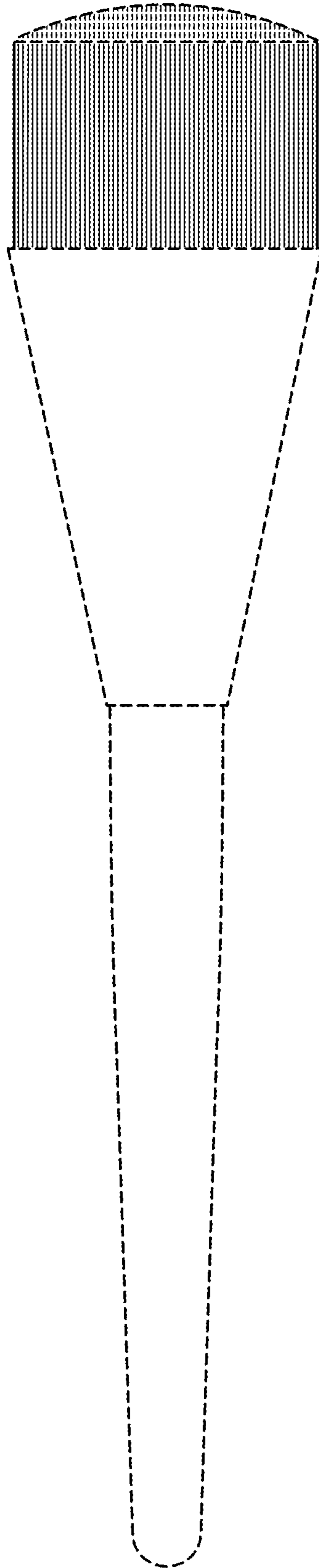


FIG. 3

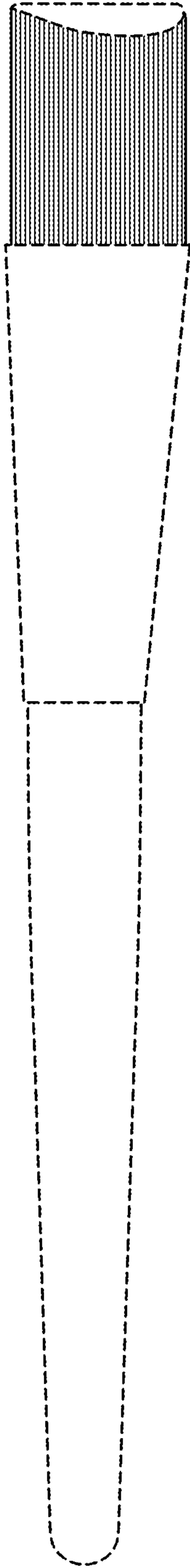


FIG. 4

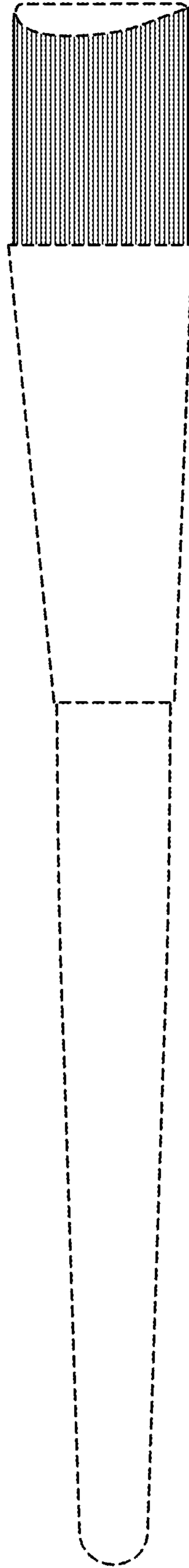


FIG. 5

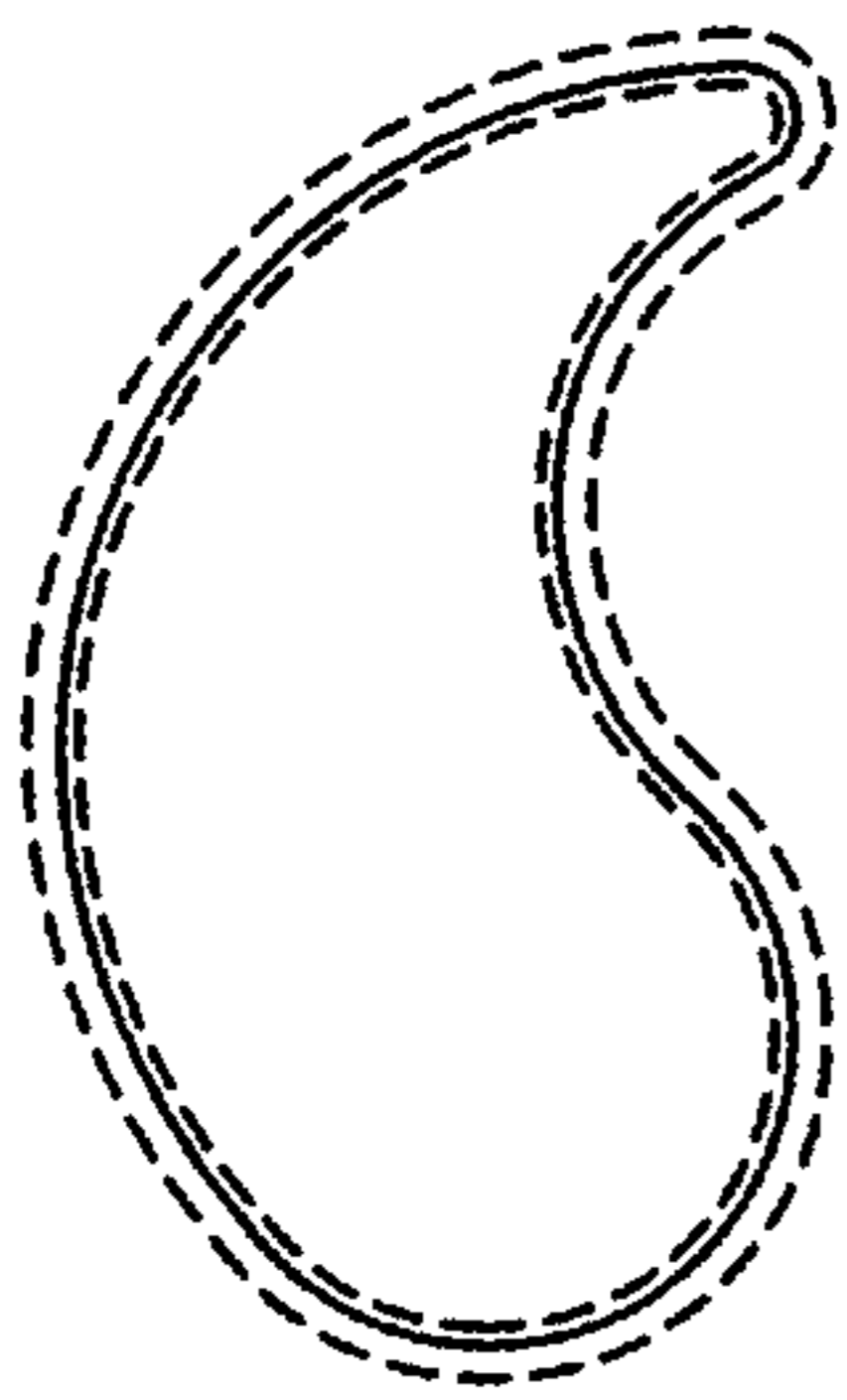


FIG. 6

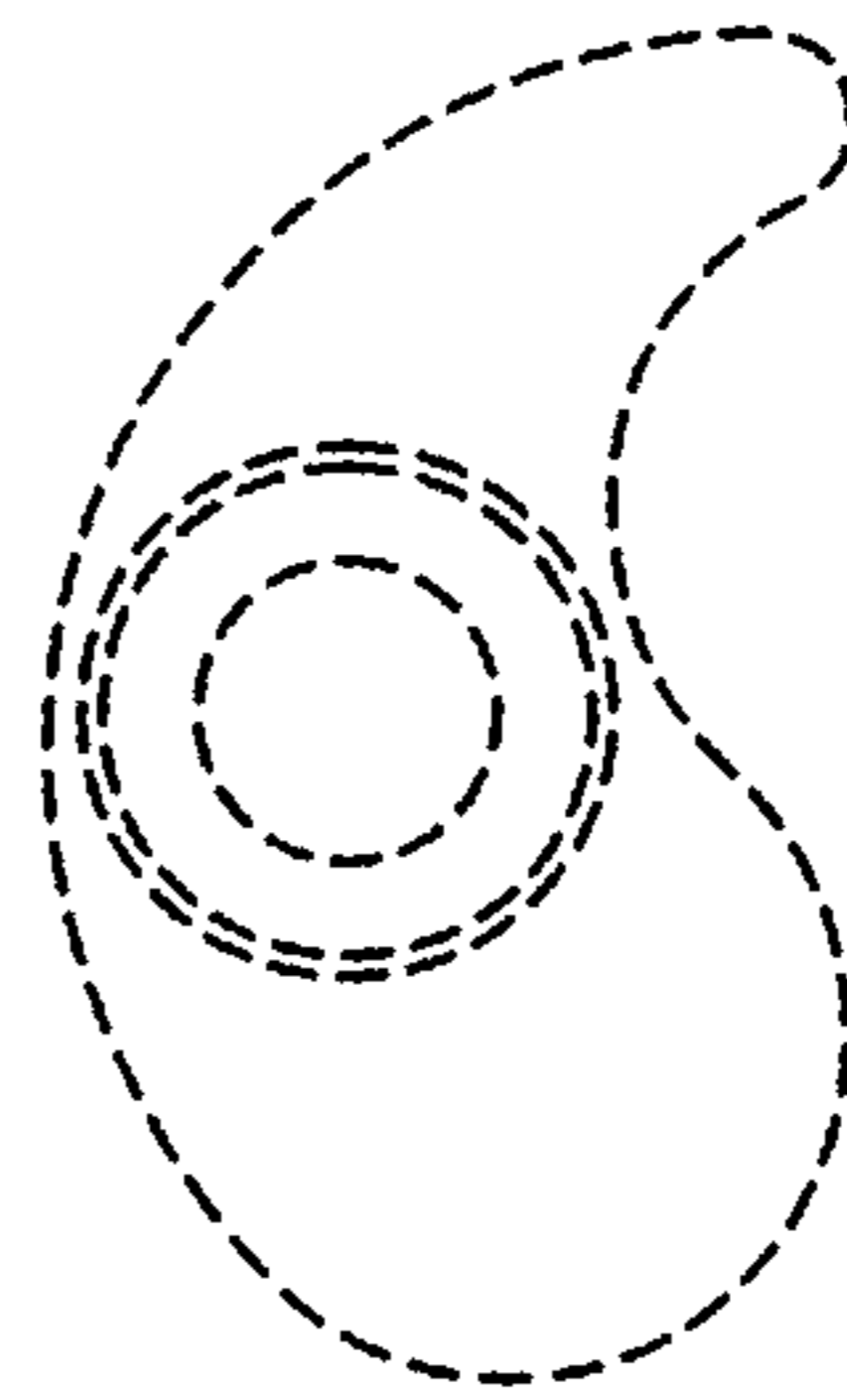


FIG. 7