



US00D919303S

(12) **United States Design Patent**
Davis

(10) **Patent No.:** **US D919,303 S**

(45) **Date of Patent:** **** May 18, 2021**

(54) **BOTTLE FOR MAKEUP AND FINGERNAIL POLISH APPLICATION**

(71) Applicant: **Seanette Davis**, Los Angeles, CA (US)

(72) Inventor: **Seanette Davis**, Los Angeles, CA (US)

(**) Term: **15 Years**

(21) Appl. No.: **29/676,209**

(22) Filed: **Jan. 9, 2019**

(51) **LOC (13) Cl.** **28-03**

(52) **U.S. Cl.**

USPC **D4/116; D4/128; D4/135; D9/500**

(58) **Field of Classification Search**

USPC D28/77, 55; D9/504, 529, 718; D4/135, D4/116, 128; 215/295; 401/101

CPC .. A45D 40/262-268; A45D 2200/1072; A45D 34/042-048; A45D 34/06; A45D 40/18; A46B 5/0008

See application file for complete search history.

(56) **References Cited**

U.S. PATENT DOCUMENTS

- 4,454,622 A * 6/1984 Poppendieck A46B 9/021 15/160
- 4,640,637 A * 2/1987 Winthrop A46B 11/0055 132/74.5
- 4,733,788 A * 3/1988 D'Amico A45D 40/265 215/295
- 4,784,505 A * 11/1988 Dahm A45D 34/046 401/122
- 5,529,417 A * 6/1996 Burrlander A45D 34/045 132/73
- D387,909 S * 12/1997 Mattson D4/116
- 5,772,163 A * 6/1998 Young A45D 40/265 248/139
- 6,425,491 B1 * 7/2002 Abraskin A45D 34/045 215/10
- D535,104 S * 1/2007 Chen D4/116

- D572,604 S * 7/2008 Garofano D28/77
- D787,333 S * 5/2017 Ma D9/503
- D813,551 S * 3/2018 Tan D4/116
- D817,763 S * 5/2018 Isaksen D9/500
- D836,444 S * 12/2018 Tan D9/500
- D898,290 S * 10/2020 Devilleneuve D28/55
- 10,863,813 B2 * 12/2020 Davis A45D 29/18
- D910,926 S * 2/2021 David D28/77

* cited by examiner

Primary Examiner — Austin Murphy

(74) *Attorney, Agent, or Firm* — Fraline J. Allgaier

(57) **CLAIM**

The ornamental design for a bottle for makeup and fingernail polish application, as shown and described.

DESCRIPTION

FIG. 1 is a front view of the bottle for makeup and fingernail polish application showing my new design;
 FIG. 2 is a back view thereof.
 FIG. 3 is a top view thereof.
 FIG. 4 is a bottom view thereof.
 FIG. 5 is a bottom view thereof.
 FIG. 6 is an exploded left side view thereof;
 FIG. 7 is an exploded left side view thereof showing the brush in an alternate position of use;
 FIG. 8 is an exploded front elevation view thereof;
 FIG. 9 is an exploded top and left side view thereof;
 FIG. 10 is an exploded top and left side view thereof, showing the brush in an alternate position of use;
 FIG. 11 is an exploded top and right side view thereof;
 FIG. 12 is an exploded bottom and left side view thereof;
 and,
 FIG. 13 is an exploded bottom and right side view thereof.
 The brackets are used in order to indicate the associate of elements in FIGS. 6-12. The brackets form no part of the claimed design.

1 Claim, 13 Drawing Sheets

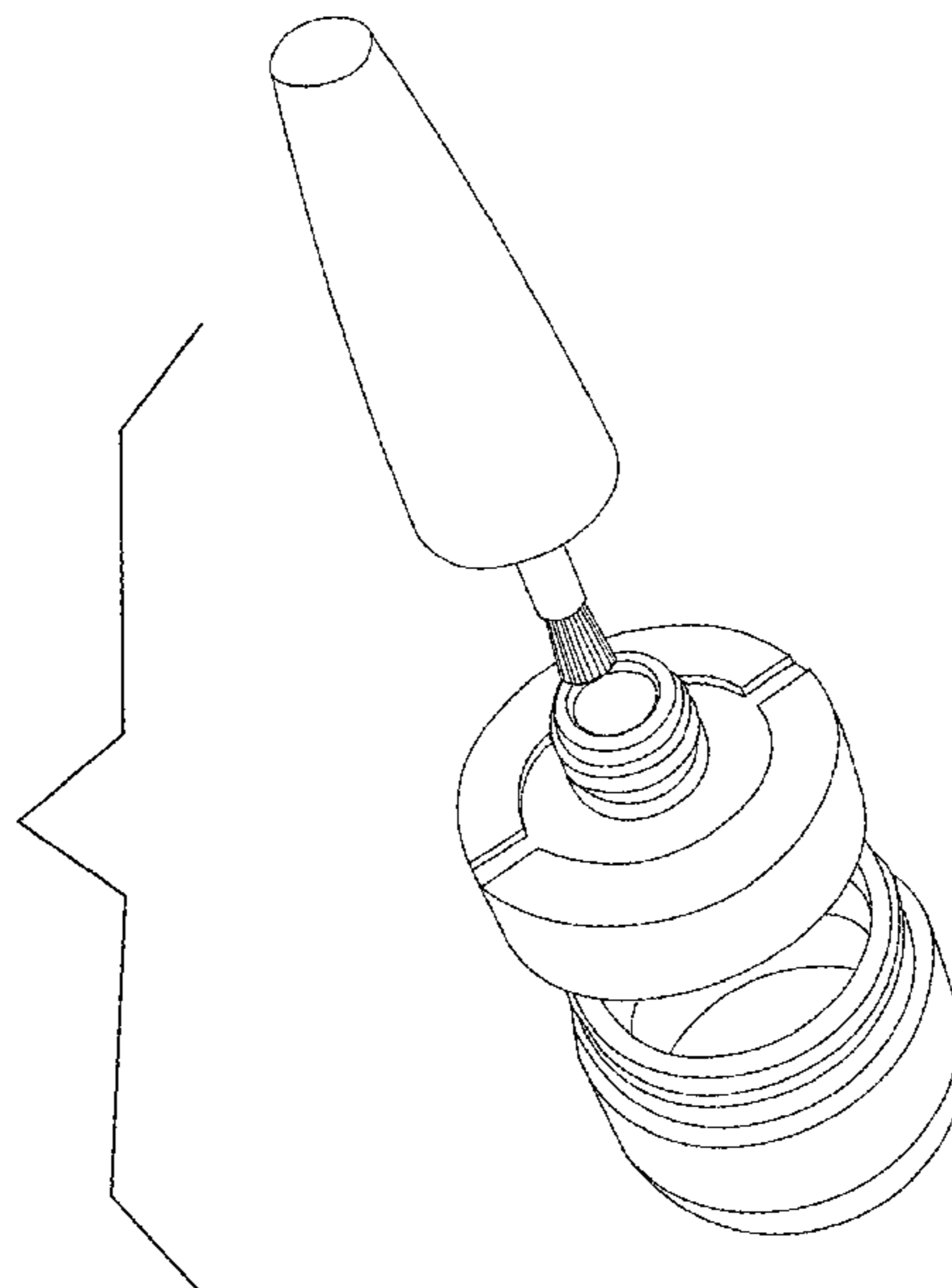


FIG. 1

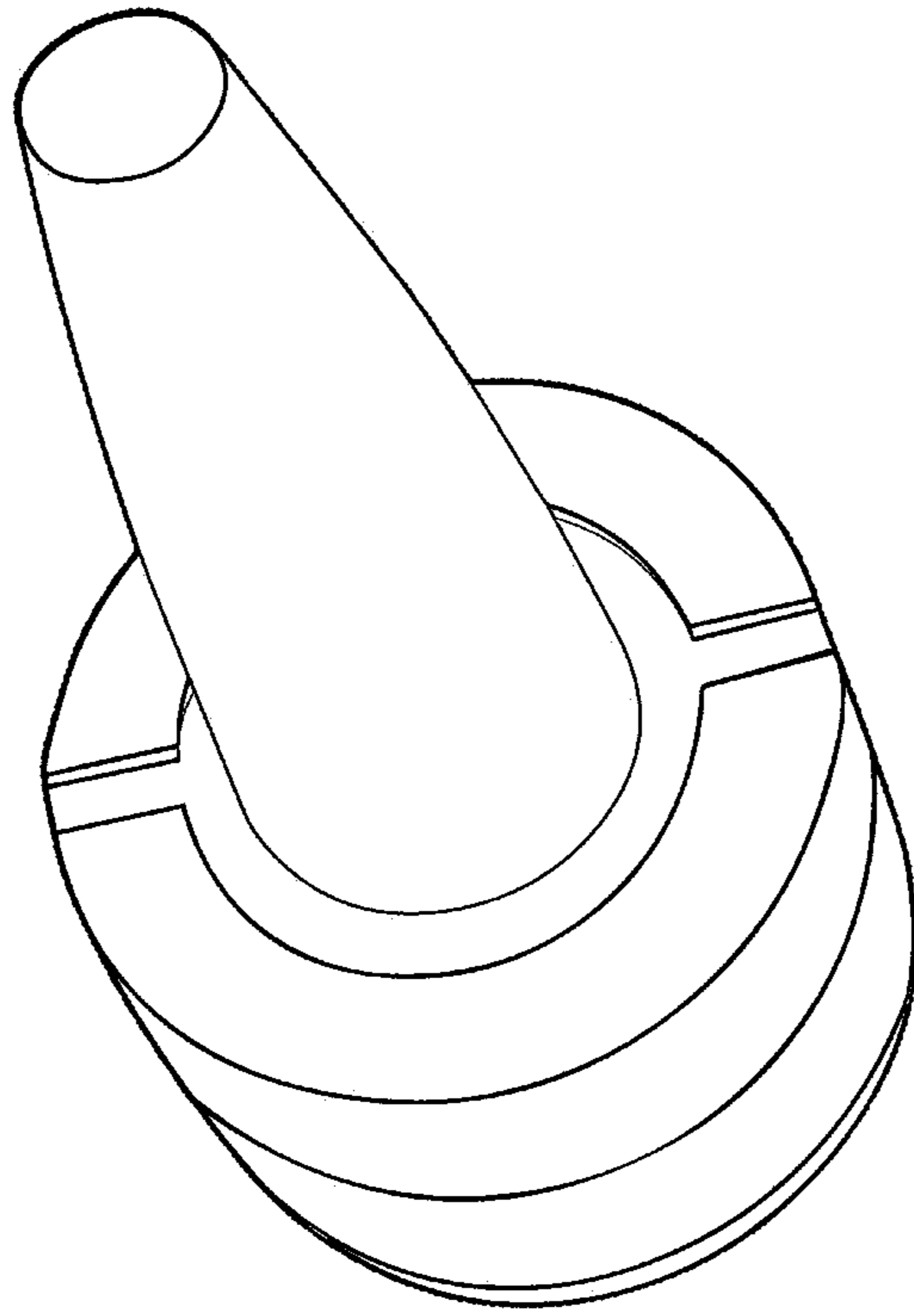


FIG. 2

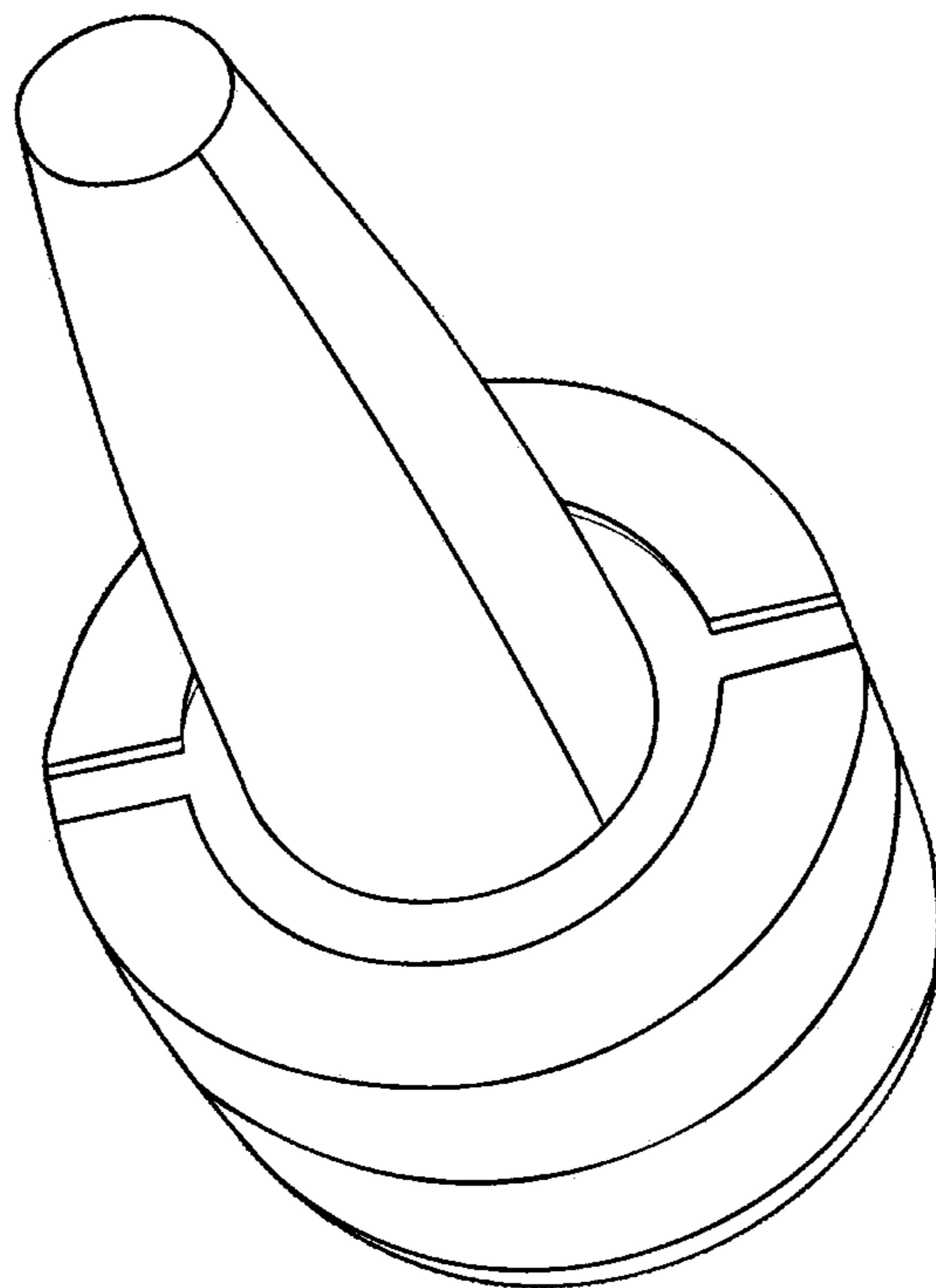


FIG. 3

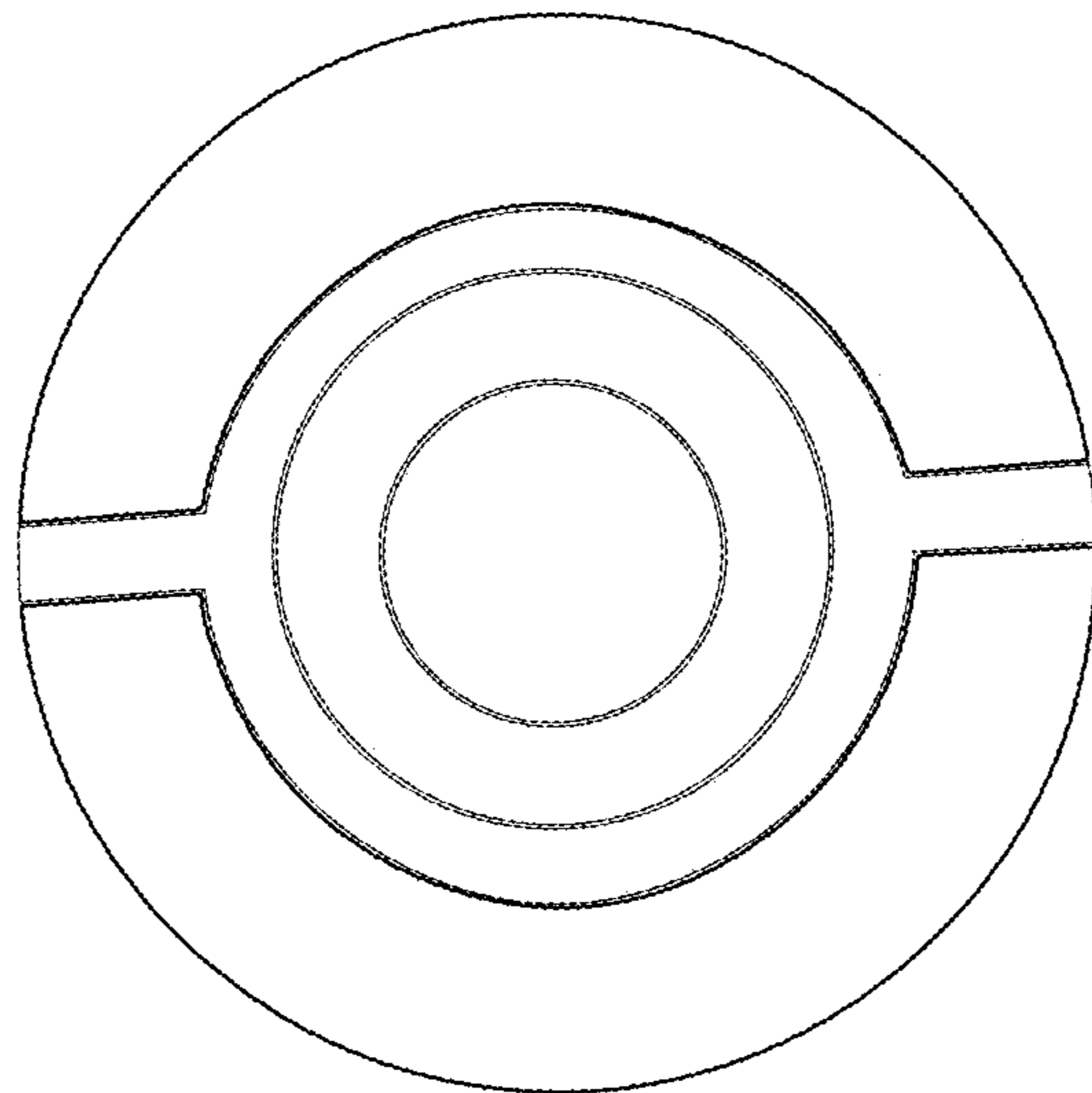


FIG. 4

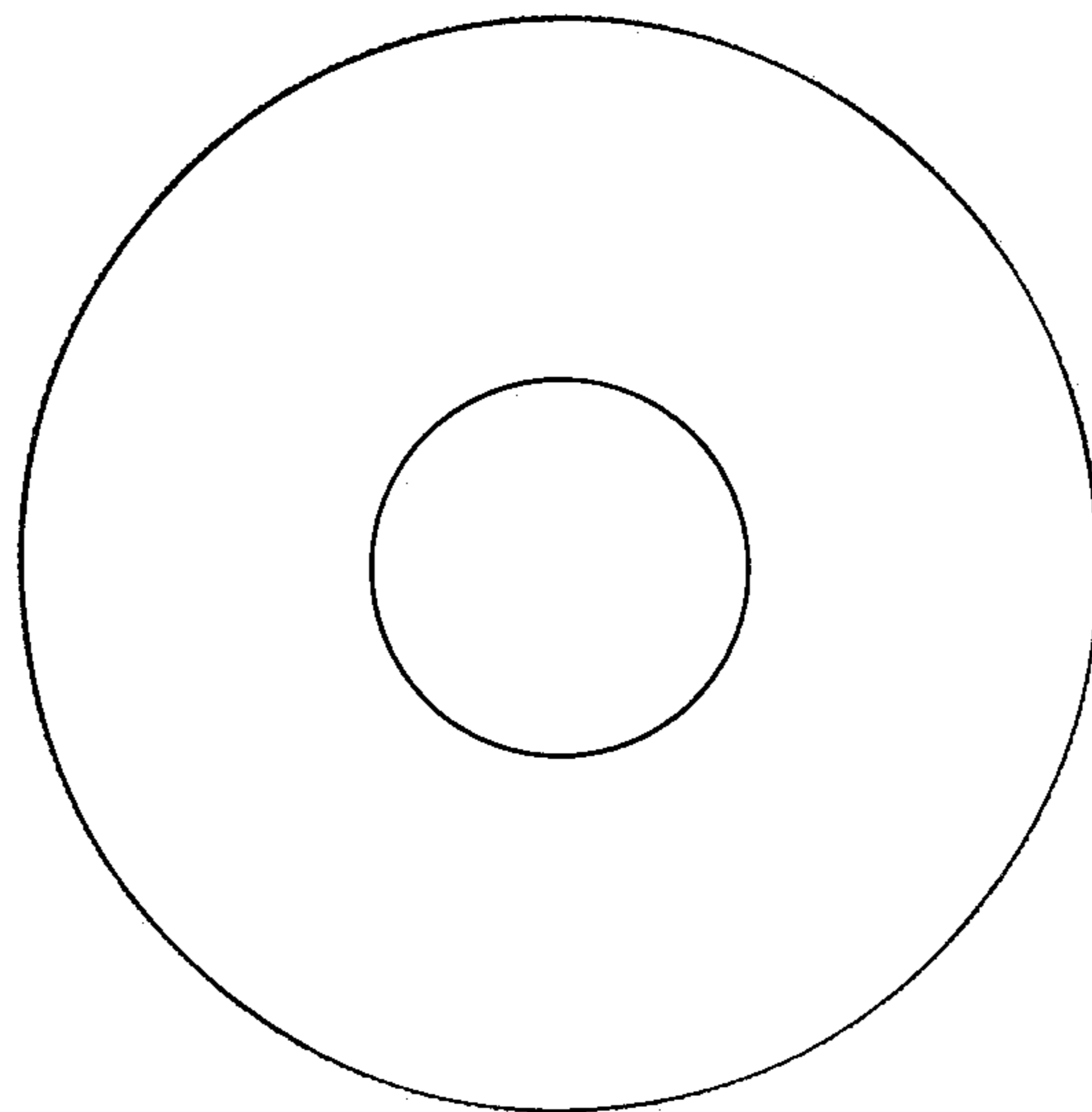


FIG. 5

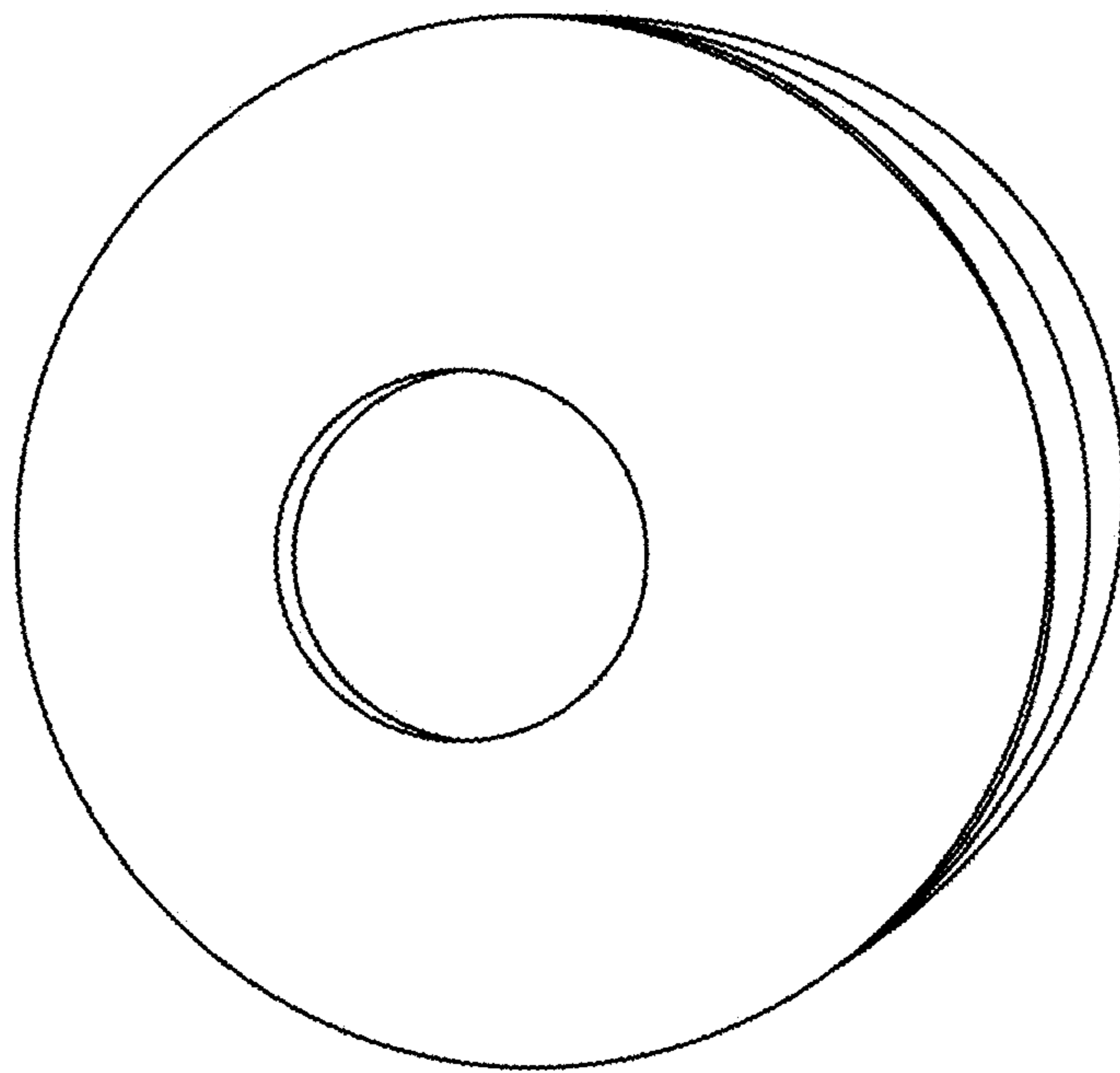


FIG. 6

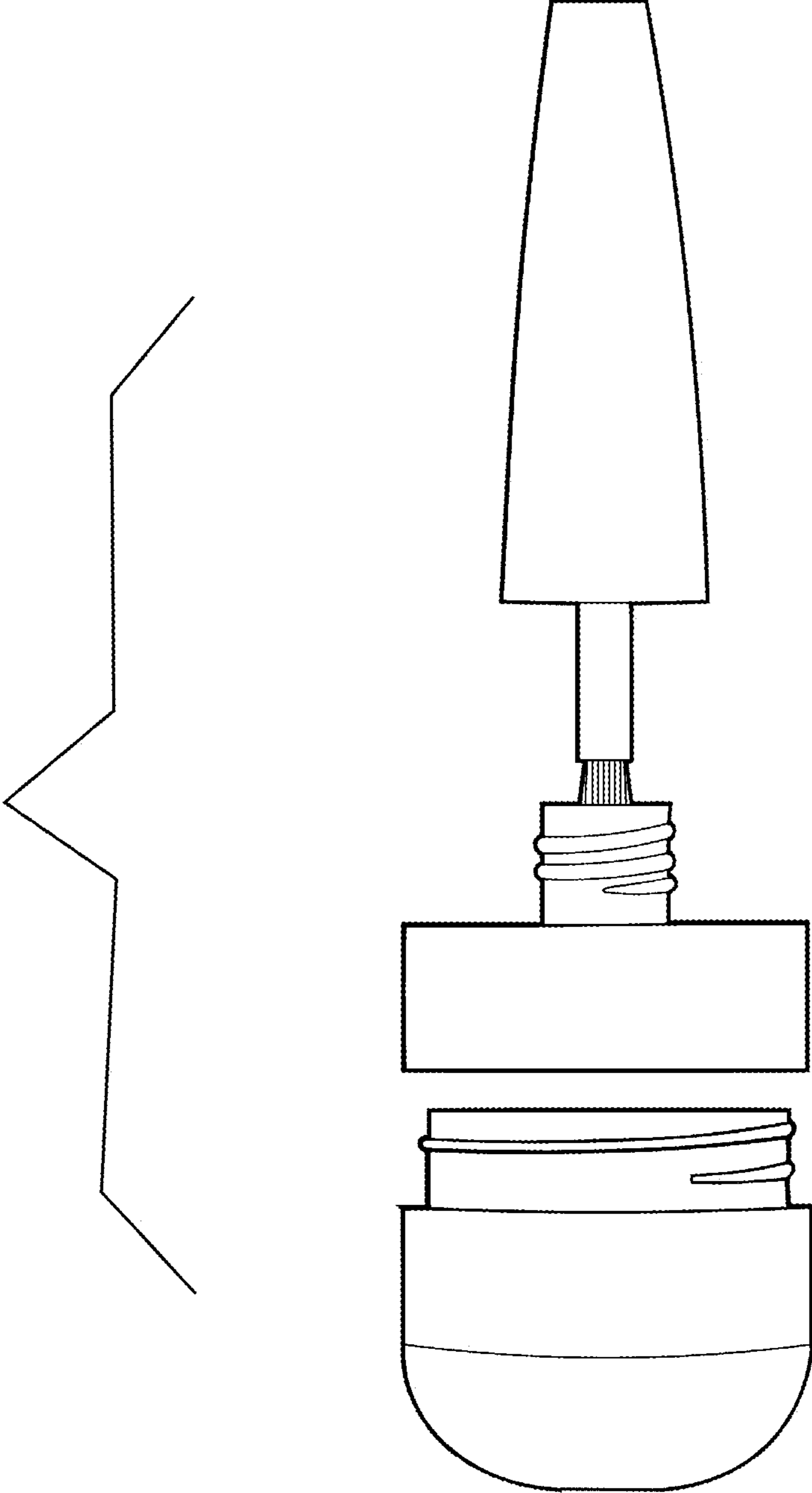


FIG. 7

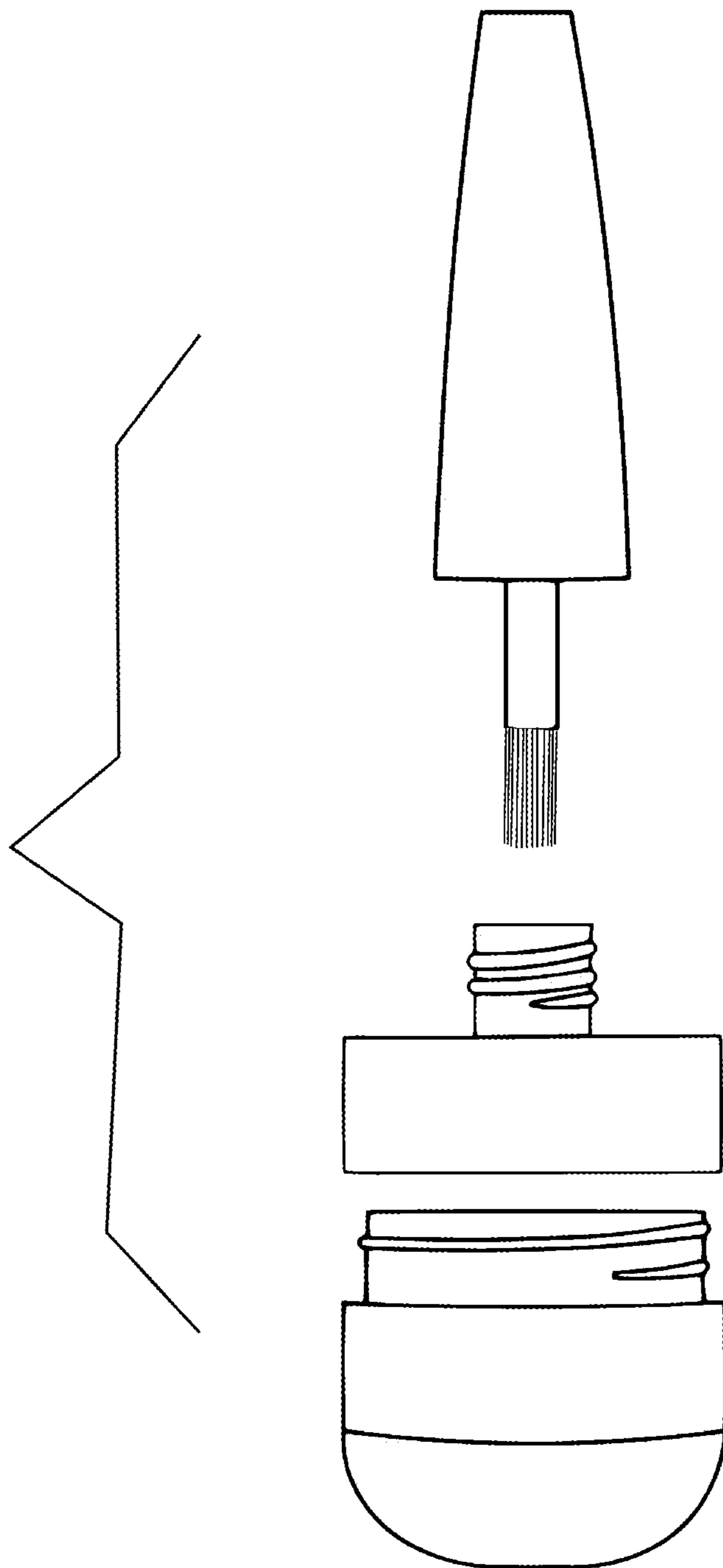


FIG. 8

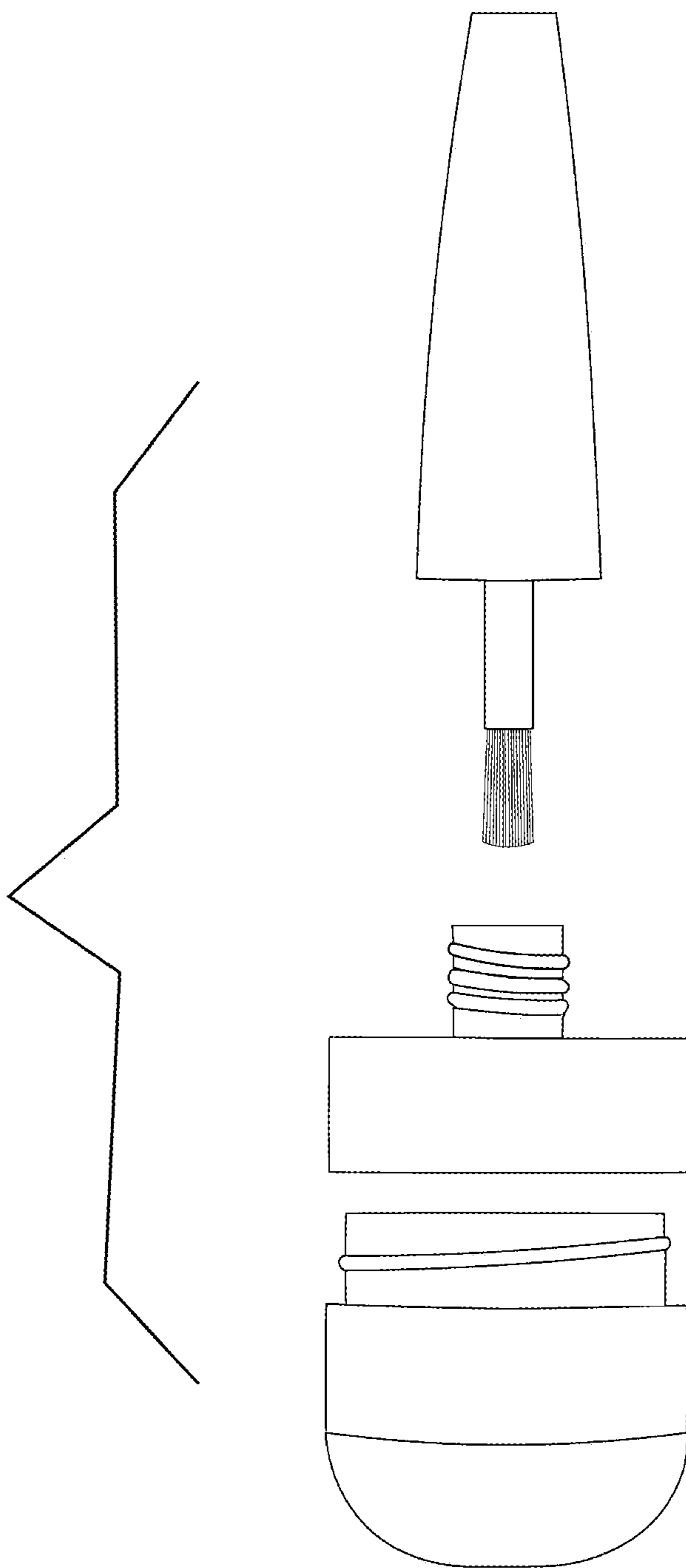


FIG. 9

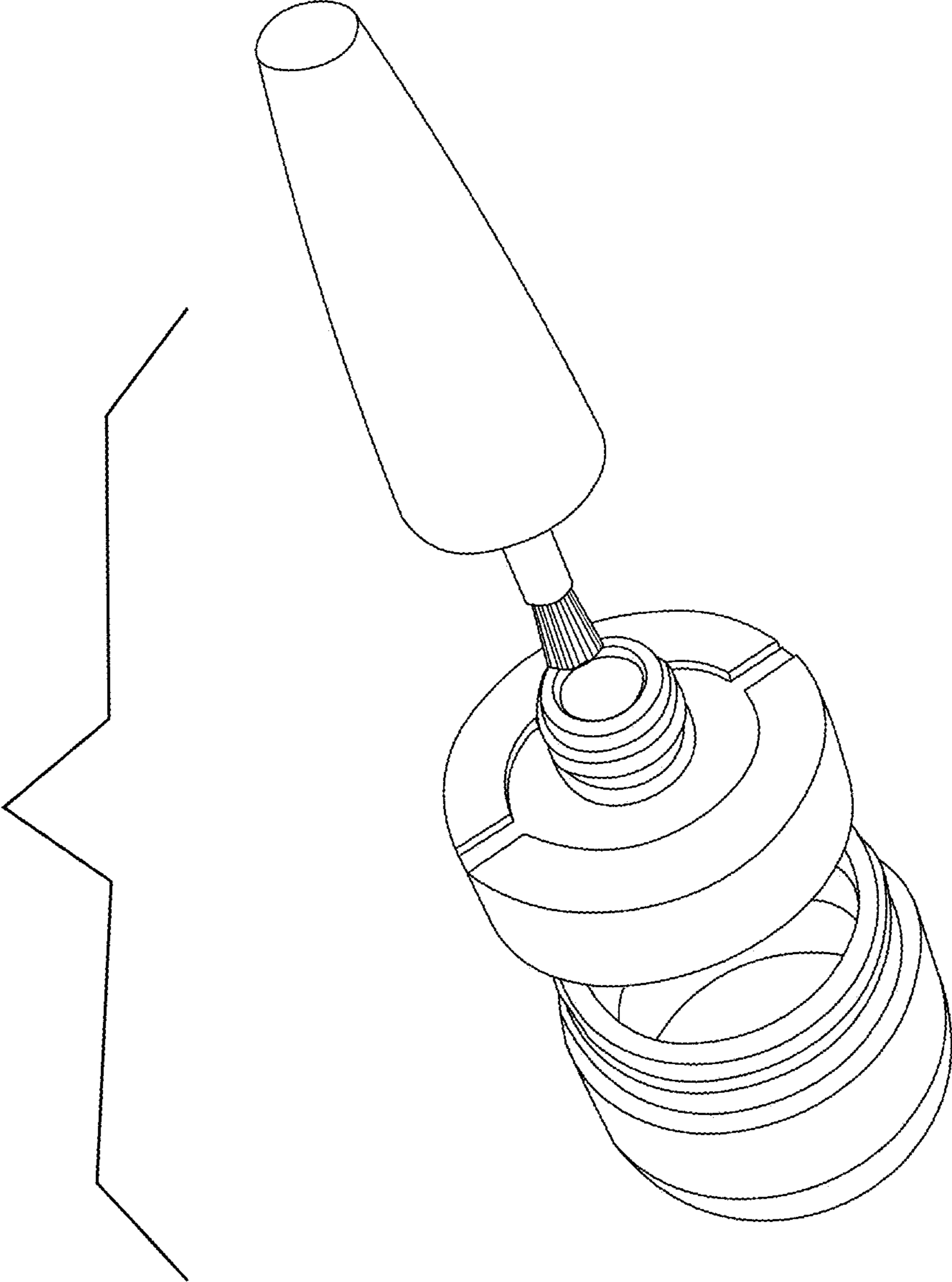


FIG. 10

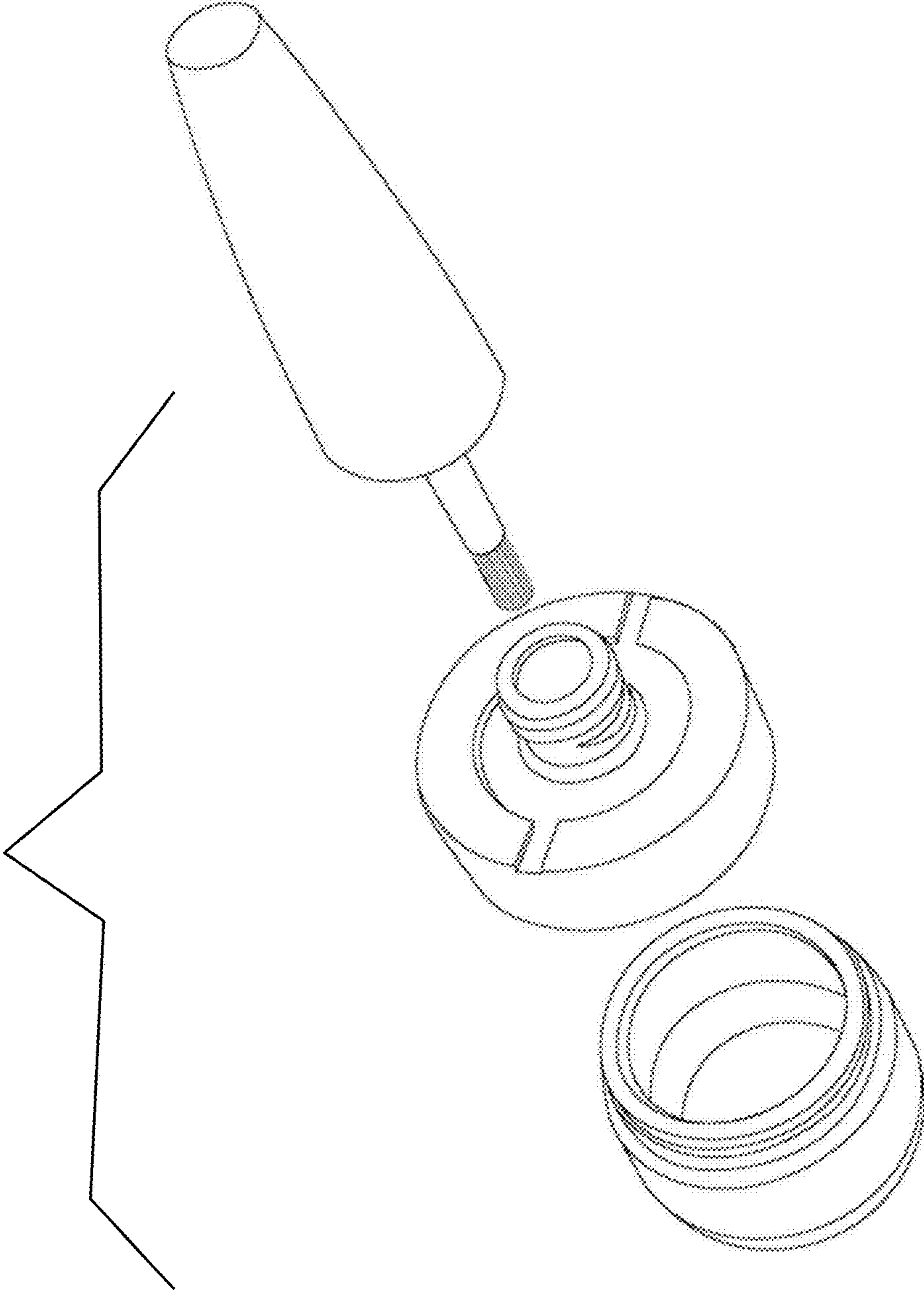


FIG. 11

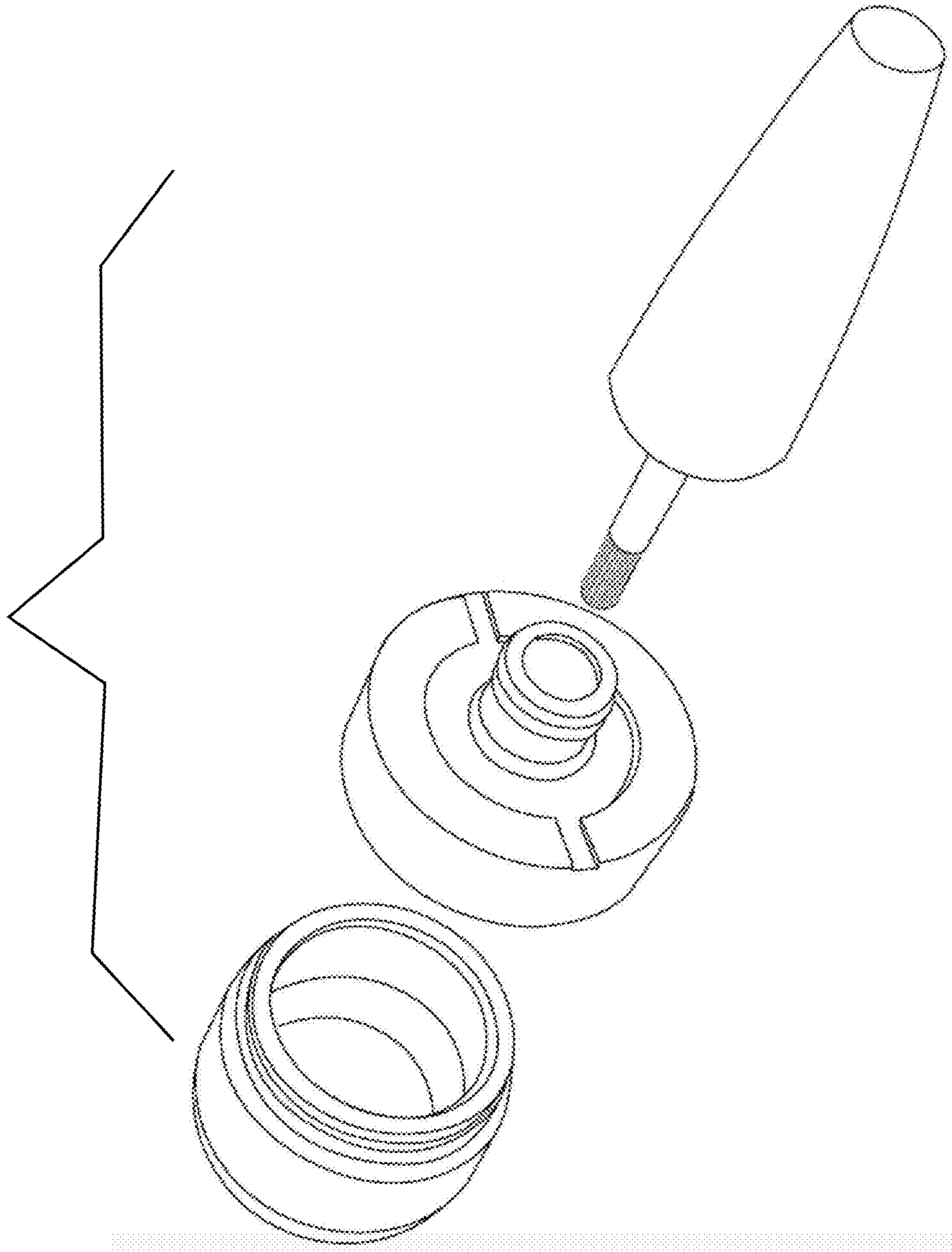


FIG. 12

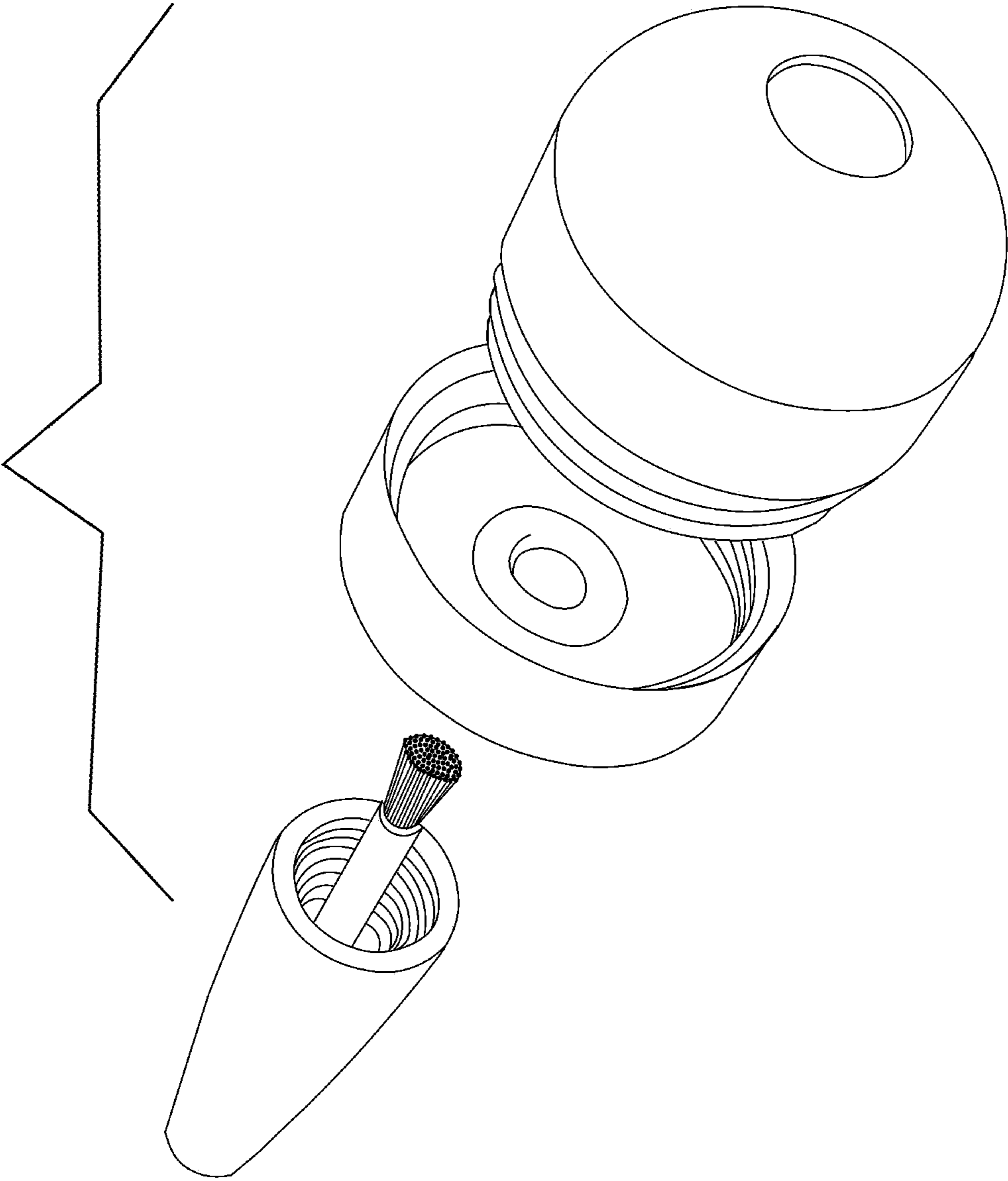


FIG. 13

