



US00D919298S

(12) **United States Design Patent** (10) **Patent No.:** **US D919,298 S**
Munie (45) **Date of Patent:** **** May 18, 2021**

- (54) **BAG**
- (71) Applicant: **YETI Coolers, LLC**, Austin, TX (US)
- (72) Inventor: **Jeffrey Charles Munie**, Austin, TX (US)
- (73) Assignee: **YETI Coolers, LLC**, Austin, TX (US)
- (**) Term: **15 Years**
- (21) Appl. No.: **29/701,493**
- (22) Filed: **Aug. 12, 2019**

- 2,513,575 A 7/1950 Lombard
 - 2,522,480 A 9/1950 Davis
 - 2,627,097 A 2/1953 Ellis
 - 2,672,232 A 3/1954 Wilfred, Jr.
 - 2,784,757 A 3/1957 Requa
- (Continued)

FOREIGN PATENT DOCUMENTS

- CA 179459 A 9/1917
 - CA 170760 7/2017
- (Continued)

OTHER PUBLICATIONS

Feb. 27, 2015—(JP) Office Action—App. No. 2013-510725.
(Continued)

Related U.S. Application Data

- (63) Continuation of application No. 29/659,837, filed on Aug. 13, 2018, now Pat. No. Des. 855,994, which is a continuation of application No. 29/594,751, filed on Feb. 22, 2017, now Pat. No. Des. 825,184.
- (51) **LOC (13) Cl.** **03-01**
- (52) **U.S. Cl.**
USPC **D3/318**
- (58) **Field of Classification Search**
USPC D3/232–233, 240–243, 245–246, 318
CPC A45C 1/024; A45C 3/06; A45C 3/08
See application file for complete search history.

Primary Examiner — Holly E Thurman
(74) *Attorney, Agent, or Firm* — Banner & Witcoff, Ltd.

(57) **CLAIM**

The ornamental design for a bag, as shown and described.

DESCRIPTION

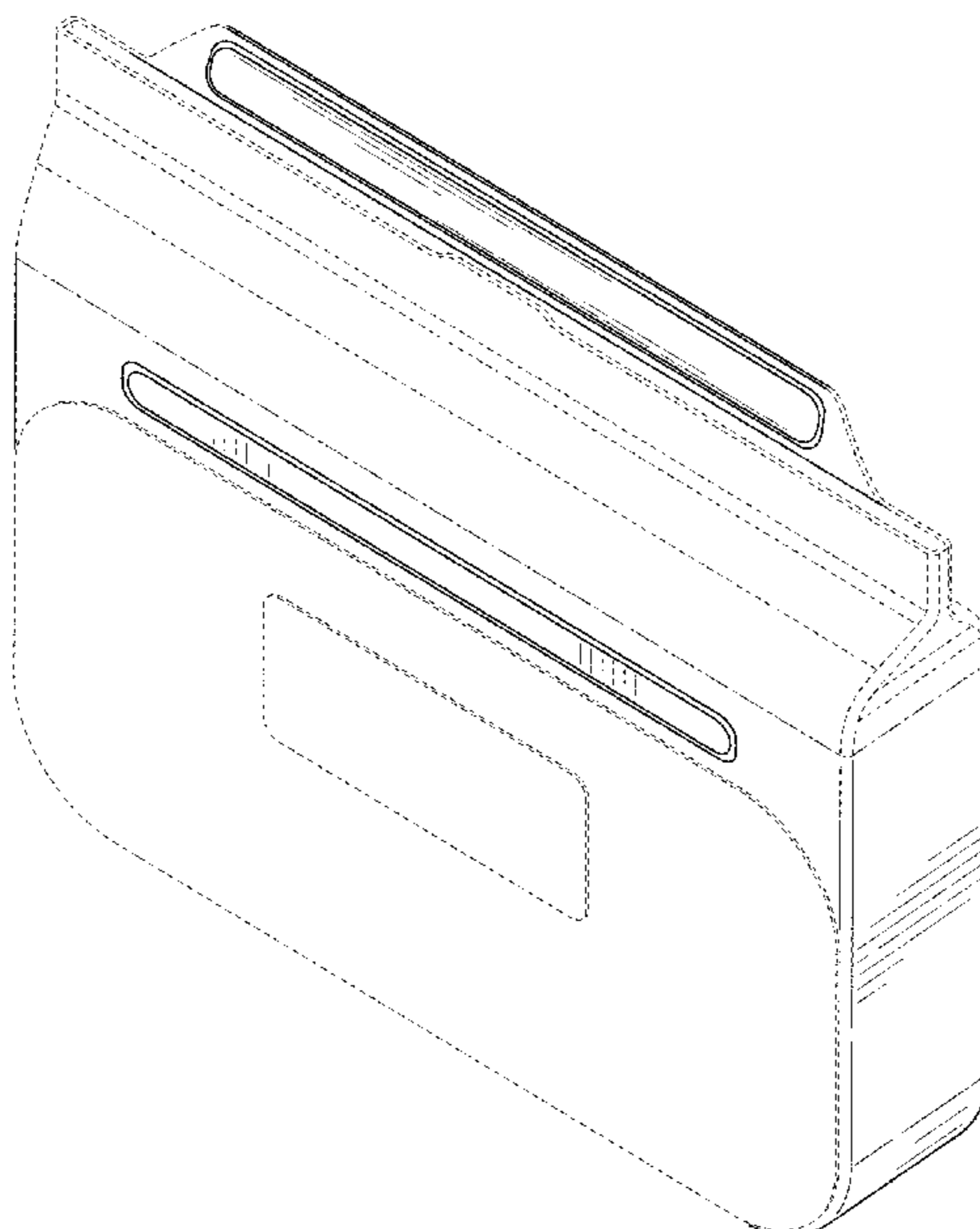
FIG. 1 is a top, front, right perspective view of a bag showing my new design;
FIG. 2 is a front view thereof;
FIG. 3 is a right side view thereof;
FIG. 4 is a left side view thereof;
FIG. 5 is a top view thereof;
FIG. 6 is a bottom view thereof; and,
FIG. 7 is a top, front, right perspective view of an alternative claimed configuration of a bag showing our new design. The uneven-length broken lines immediately adjacent to the shaded area define the bounds of the claimed design and form no part thereof. The even-length broken lines showing the remainder of the bag represent unclaimed subject matter and form no part of the claimed design.

1 Claim, 5 Drawing Sheets

(56) **References Cited**

U.S. PATENT DOCUMENTS

- 1,631,371 A 6/1927 Greubel
- 1,671,385 A 5/1928 Strayer
- 1,712,109 A 5/1929 Hammer
- 1,809,696 A 6/1931 Heilweil
- 1,899,696 A 2/1933 Freeman
- 1,942,246 A 1/1934 Johaneson
- 1,986,057 A 1/1935 Hackworth
- 2,304,528 A 12/1942 Bafia
- 2,496,296 A 2/1950 Lobl



(56)

References Cited

U.S. PATENT DOCUMENTS

<p>3,102,314 A 9/1963 Alderfer</p> <p>3,111,735 A 11/1963 Ellis</p> <p>3,161,932 A 12/1964 Russell</p> <p>3,455,359 A 7/1969 Schweizer</p> <p>3,716,091 A 2/1973 Gaines</p> <p>3,749,301 A 7/1973 Peckar</p> <p>3,827,019 A 7/1974 Serbu</p> <p>3,831,986 A 8/1974 Kobayashi</p> <p>3,998,304 A 12/1976 Edgerton, Jr. et al.</p> <p>4,033,013 A 7/1977 Peterson</p> <p>D256,097 S 7/1980 Amberg</p> <p>4,213,549 A 7/1980 Hibbard</p> <p>4,258,493 A 3/1981 Kettlestrings et al.</p> <p>4,399,595 A 8/1983 Yoon et al.</p> <p>4,408,643 A 10/1983 Laske et al.</p> <p>4,421,150 A 12/1983 Masters</p> <p>4,489,770 A 12/1984 Reich, II</p> <p>D284,254 S 6/1986 Carlson</p> <p>D292,846 S * 11/1987 Kim D3/246</p> <p>4,716,947 A 1/1988 Haddock</p> <p>4,738,390 A 4/1988 Brennan</p> <p>4,810,102 A 3/1989 Norton</p> <p>D304,008 S 10/1989 Hornung</p> <p>4,905,857 A 3/1990 Her</p> <p>5,010,988 A 4/1991 Brown</p> <p>5,030,013 A 7/1991 Kramer</p> <p>5,148,580 A 9/1992 Dyckow</p> <p>5,181,555 A 1/1993 Chruniak</p> <p>5,196,818 A 3/1993 Anderson</p> <p>5,216,900 A 6/1993 Jones</p> <p>5,226,540 A 7/1993 Bradbury</p> <p>5,237,838 A 8/1993 Merritt-Munson</p> <p>5,244,136 A 9/1993 Collaso</p> <p>D343,288 S 1/1994 Chao</p> <p>D350,689 S 9/1994 Chao</p> <p>5,370,622 A 12/1994 Livingston et al.</p> <p>5,372,429 A 12/1994 Beaver, Jr. et al.</p> <p>5,505,305 A 4/1996 Scholz et al.</p> <p>D372,173 S 7/1996 Fukuda et al.</p> <p>5,540,366 A 7/1996 Coomber</p> <p>5,604,960 A 2/1997 Good</p> <p>D381,506 S * 7/1997 Roeder D3/245</p> <p>5,645,205 A 7/1997 Kennedy</p> <p>D386,611 S 11/1997 Sheu</p> <p>5,682,653 A 11/1997 Berglof et al.</p> <p>5,706,940 A 1/1998 Amarello</p> <p>5,746,638 A 5/1998 Shiraiishi</p> <p>5,797,683 A 8/1998 Gunzi et al.</p> <p>5,816,709 A 10/1998 Demus</p> <p>5,844,772 A 12/1998 Lee et al.</p> <p>5,875,795 A 3/1999 Bouix</p> <p>D411,446 S 6/1999 Cautereels</p> <p>D412,267 S 7/1999 Anderson</p> <p>6,067,813 A 5/2000 Smith</p> <p>6,068,119 A 5/2000 Derr et al.</p> <p>6,073,789 A 6/2000 Lundblade</p> <p>6,092,707 A 7/2000 Bowes, Jr.</p> <p>6,112,959 A 9/2000 Townsend</p> <p>6,149,305 A 11/2000 Fier</p> <p>6,179,677 B1 1/2001 Dornier</p> <p>6,223,551 B1 5/2001 Mitchell</p> <p>6,224,258 B1 5/2001 Dodson</p> <p>6,226,842 B1 5/2001 Wong</p> <p>6,301,754 B1 10/2001 Grunberger et al.</p> <p>6,336,340 B1 1/2002 Laby</p> <p>6,361,210 B2 3/2002 Denko</p> <p>D460,898 S 7/2002 Wang</p> <p>6,412,116 B1 7/2002 Clark</p> <p>6,422,032 B1 7/2002 Greene</p> <p>6,427,475 B1 8/2002 DeFelice et al.</p> <p>6,434,801 B2 8/2002 Grunberger</p> <p>D463,276 S 9/2002 Piscopo et al.</p> <p>6,468,624 B1 10/2002 Fujisawa et al.</p> <p>6,470,705 B2 10/2002 Bride-Flynn</p> <p>6,505,385 B2 1/2003 Grunberger</p>	<p>D472,773 S 4/2003 Samartgis</p> <p>D478,782 S 8/2003 Li</p> <p>6,601,403 B1 8/2003 Roth et al.</p> <p>D482,529 S 11/2003 Hardigg et al.</p> <p>6,646,864 B2 11/2003 Richardson</p> <p>6,659,274 B2 12/2003 Enners</p> <p>D485,069 S 1/2004 Parker</p> <p>6,698,608 B2 3/2004 Parker et al.</p> <p>6,722,784 B2 4/2004 Breil, Jr.</p> <p>6,742,354 B1 6/2004 Watts</p> <p>6,749,551 B2 6/2004 Metzler et al.</p> <p>6,779,199 B1 8/2004 O'Dea et al.</p> <p>6,821,018 B1 11/2004 Denko</p> <p>6,915,934 B2 7/2005 Hasset</p> <p>6,929,125 B1 8/2005 Seamans</p> <p>6,955,381 B2 10/2005 Parker et al.</p> <p>D513,123 S 12/2005 Richardson et al.</p> <p>D513,451 S 1/2006 Richardson et al.</p> <p>D514,808 S 2/2006 Morine et al.</p> <p>D516,309 S 3/2006 Richardson et al.</p> <p>D516,807 S 3/2006 Richardson et al.</p> <p>D516,870 S 3/2006 Martinez et al.</p> <p>7,017,776 B1 3/2006 Hupp</p> <p>7,033,657 B2 4/2006 Martin</p> <p>D523,242 S 6/2006 Hardigg et al.</p> <p>D527,226 S 8/2006 Maldonado</p> <p>D529,344 S 10/2006 Maldonado</p> <p>7,187,261 B2 3/2007 Cassar</p> <p>D543,700 S 6/2007 Parker et al.</p> <p>D550,210 S 9/2007 Polany et al.</p> <p>7,299,652 B2 11/2007 Gagnon</p> <p>7,301,303 B1 11/2007 Hulden</p> <p>D573,844 S 7/2008 Hanson et al.</p> <p>7,400,917 B2 7/2008 Wood et al.</p> <p>D577,261 S 9/2008 Wang</p> <p>D578,409 S 10/2008 Clark</p> <p>7,496,195 B2 2/2009 Kramer</p> <p>7,513,633 B2 4/2009 Ermeti</p> <p>D592,910 S 5/2009 Hanson et al.</p> <p>D598,647 S 8/2009 Kertesz et al.</p> <p>D601,383 S 10/2009 Shah</p> <p>D602,740 S 10/2009 Urquiola</p> <p>D607,701 S 1/2010 Pedrazzi et al.</p> <p>D609,056 S 2/2010 Pierce</p> <p>D617,149 S 6/2010 Olivari</p> <p>7,730,739 B2 6/2010 Fuchs</p> <p>D620,249 S 7/2010 Yu</p> <p>D620,376 S 7/2010 Peyser et al.</p> <p>D620,707 S 8/2010 Mogil</p> <p>D623,406 S 9/2010 Yu</p> <p>D623,853 S 9/2010 Yu</p> <p>7,793,782 B2 9/2010 Chuang</p> <p>D627,199 S 11/2010 Pruchnicki</p> <p>D630,013 S 1/2011 Yu</p> <p>D630,939 S 1/2011 Peters et al.</p> <p>D632,074 S 2/2011 Chan et al.</p> <p>7,896,199 B2 3/2011 Kaczmarek</p> <p>D644,024 S 8/2011 Jobert</p> <p>8,005,251 B2 8/2011 Chan</p> <p>D648,935 S 11/2011 Wickrama</p> <p>D653,915 S 2/2012 George</p> <p>D664,425 S 7/2012 Krupa</p> <p>8,209,995 B2 7/2012 Kieling et al.</p> <p>8,223,997 B2 7/2012 Wilson, II et al.</p> <p>D668,119 S 10/2012 Everson</p> <p>D670,906 S 11/2012 Du</p> <p>D677,511 S 3/2013 Gray</p> <p>8,399,764 B2 3/2013 Klosky</p> <p>8,403,975 B2 3/2013 Hadas</p> <p>8,424,680 B2 4/2013 Fair et al.</p> <p>8,434,617 B1 5/2013 Wang</p> <p>D688,449 S 8/2013 Schinasi</p> <p>8,550,714 B2 10/2013 Ben-Shushan et al.</p> <p>D693,573 S 11/2013 Holefleisch</p> <p>8,573,002 B2 11/2013 Ledoux et al.</p> <p>D694,521 S 12/2013 Robinson et al.</p> <p>D695,015 S 12/2013 Robinson et al.</p> <p>D695,568 S 12/2013 Hayes</p> <p>8,607,536 B2 12/2013 Bailey et al.</p>
--	--

(56)

References Cited

U.S. PATENT DOCUMENTS

D701,456 S 3/2014 Farley et al.
 D703,493 S 4/2014 de Ste. Croix et al.
 D708,848 S * 7/2014 Zwetzig D3/246
 D709,333 S 7/2014 Stamatopoulos
 D709,334 S 7/2014 Stamatopoulos
 8,770,402 B2 7/2014 Pergreen et al.
 D727,107 S 4/2015 Parodi, Jr.
 D734,643 S 7/2015 Boroski
 D734,761 S 7/2015 Ballou et al.
 D736,569 S 8/2015 Bronwasser et al.
 9,122,941 B2 9/2015 Hoobler et al.
 9,139,352 B2 9/2015 Seiders et al.
 9,167,876 B2 10/2015 Yamaguchi et al.
 D745,272 S 12/2015 Slimane
 9,220,328 B2 12/2015 Magness
 9,264,089 B2 2/2016 Tages
 D751,814 S 3/2016 Louboutin
 9,290,313 B2 3/2016 De Lesseux et al.
 9,307,315 B2 4/2016 McKeough
 9,334,087 B2 5/2016 Cho et al.
 D758,805 S 6/2016 Myoung
 9,392,855 B2 7/2016 Taylor
 D763,569 S 8/2016 Tal
 D763,629 S 8/2016 Swartz et al.
 D764,791 S 8/2016 Patel
 9,444,506 B2 9/2016 Lai et al.
 D780,524 S 3/2017 Jacobsen
 D787,821 S 5/2017 Liu
 D824,664 S 8/2018 Munie
 D825,913 S 8/2018 Barlier
 D827,299 S 9/2018 Vickery
 D828,112 S 9/2018 Furneaux et al.
 D835,949 S 12/2018 Triska et al.
 D847,499 S 5/2019 Dumas
 D850,100 S 6/2019 Oviedo-Polanco
 D855,994 S * 8/2019 Munie D3/318
 2001/0051378 A1 12/2001 Radmacher et al.
 2002/0012480 A1 1/2002 Konno
 2004/0165332 A1 8/2004 Beson
 2004/0173484 A1 9/2004 Bates et al.
 2004/0183313 A1 9/2004 Sherman et al.
 2004/0237266 A1 12/2004 Wang
 2005/0097711 A1 5/2005 Halstead
 2005/0116003 A1 6/2005 Butler et al.
 2005/0145302 A1 7/2005 Mutterer et al.
 2005/0230465 A1 10/2005 Metzler et al.
 2005/0262871 A1 12/2005 Bailey-Weston
 2006/0003709 A1 1/2006 Wood
 2006/0006969 A1 1/2006 Cassar
 2006/0016841 A1 1/2006 Shurm
 2006/0072857 A1 4/2006 Revels
 2007/0051785 A1 3/2007 Roessiger
 2007/0215663 A1 9/2007 Chongson et al.
 2007/0232109 A1 10/2007 Parker et al.
 2007/0261977 A1 11/2007 Sakai
 2007/0261978 A1 11/2007 Sanderson
 2008/0037907 A1 2/2008 Suskind
 2008/0077289 A1 3/2008 Fujishima
 2008/0272872 A1 11/2008 Fiedler
 2009/0078731 A1 3/2009 Yi
 2009/0114557 A1 5/2009 Nelson
 2009/0184143 A1 7/2009 Witt et al.
 2009/0208146 A1 8/2009 Kirby
 2010/0025442 A1 2/2010 Shurm
 2010/0040307 A1 2/2010 Lien
 2010/0140861 A1 6/2010 Kubota et al.
 2010/0181220 A1 7/2010 Dasara
 2010/0298025 A1 11/2010 Spence
 2010/0310194 A1 12/2010 Archambault
 2012/0096669 A1 4/2012 Treacy
 2012/0137637 A1 6/2012 Gillis
 2012/0216374 A1 8/2012 Manuello
 2013/0077897 A1 3/2013 Li
 2013/0221048 A1 8/2013 Revels et al.
 2013/0230260 A1 9/2013 Maynard et al.

2013/0242481 A1 9/2013 Kim et al.
 2013/0243354 A1 9/2013 Lytle
 2014/0066144 A1 3/2014 Hong
 2014/0138378 A1 5/2014 Lequeux
 2014/0138384 A1 5/2014 O'Brien
 2014/0158558 A1 6/2014 Ye
 2014/0209011 A1 7/2014 Byun
 2014/0254956 A1 9/2014 Buell, III
 2014/0262658 A1 9/2014 Wegener
 2014/0360892 A1 12/2014 Lin
 2015/0037799 A1 2/2015 Takagi
 2015/0239631 A1 8/2015 Kinskey
 2015/0305402 A1 10/2015 Bourgoin
 2016/0021997 A1 1/2016 Gonzalez
 2016/0023808 A1 1/2016 Traverso et al.
 2016/0058142 A1 3/2016 Buynar
 2016/0083147 A1 3/2016 Mauro
 2016/0130040 A1 5/2016 Yeh
 2016/0198823 A1 7/2016 Bergreen et al.
 2016/0221722 A1 8/2016 Burke et al.
 2016/0235174 A1 8/2016 Lenci et al.
 2016/0269517 A1 9/2016 Alexander
 2017/0036844 A1 2/2017 Seiders et al.
 2017/0066559 A1 3/2017 Kim et al.
 2018/0044094 A1 2/2018 Seiders et al.

FOREIGN PATENT DOCUMENTS

CH 686058 A5 12/1995
 CN 3466138 8/2005
 CN 101168090 A 4/2008
 CN 201104571 Y 8/2008
 CN 201153601 Y 11/2008
 CN 101313791 A 12/2008
 CN 300906331 4/2009
 CN 201274836 Y 7/2009
 CN 301000008 9/2009
 CN 301000009 9/2009
 CN 201393583 Y 2/2010
 CN 301808202 1/2012
 CN 301985365 7/2012
 CN 302208071 12/2012
 CN 302623610 11/2013
 CN 302860668 7/2014
 CN 103237473 B 12/2015
 CN 303514632 12/2015
 CN 105564794 A 5/2016
 CN 205512895 U 8/2016
 CN 205512896 U 8/2016
 CN 205568112 U 9/2016
 CN 106108308 A 11/2016
 CN 304011530 1/2017
 CN 106858960 A 6/2017
 CN 304291753 9/2017
 CN 304338166 11/2017
 CN 304351331 11/2017
 CN 304351332 11/2017
 CN 304361367 11/2017
 CN 304383056 12/2017
 CN 304423326 12/2017
 CN 304457891 1/2018
 CN 304457892 1/2018
 CN 304457893 1/2018
 CN 304555914 3/2018
 CN 207186216 U 4/2018
 CN 304668083 6/2018
 CN 304713490 7/2018
 CN 304719918 7/2018
 CN 304781354 8/2018
 CN 304781362 8/2018
 CN 304782359 8/2018
 CN 304785773 8/2018
 CN 304785791 8/2018
 CN 304790835 8/2018
 CN 304823679 9/2018
 CN 304854892 10/2018
 CN 304877475 11/2018
 CN 304890011 11/2018
 CN 304915313 11/2018

(56)

References Cited

FOREIGN PATENT DOCUMENTS

CN	304948871	12/2018
DE	202009000499 U1	3/2009
EM	000164199-0001	7/2004
EM	000285028-0001	6/2005
EM	000434253-0001	1/2006
EM	000596333-0007	10/2006
EM	001504127-0001	4/2009
EM	001519406-0001	6/2009
EM	001133383-0002	1/2010
EM	001900705-0002	9/2011
EM	001922204-0001	11/2011
EM	002047233-0001	5/2012
EM	002225706-0001	5/2013
EM	002294322-0002	8/2013
EM	001294060-0002	10/2013
EM	001294060-0003	10/2013
EM	002540948-0003	9/2014
EM	002541185-0001	9/2014
EM	002541185-0003	9/2014
EM	002515247-0001	10/2014
EM	002515247-0002	10/2014
EM	002550715-0002	10/2014
EM	002630814-0002	2/2015
EM	002676536-0001	6/2015
EM	002838573-0001	11/2015
EM	003117324-0009	5/2016
EM	003122464-0001	5/2016
EM	004109049-0001	7/2017
EM	00530559-0001	7/2018
EM	005303559-0003	7/2018
EM	005511102-0001	8/2018
EM	005511102-0002	8/2018
EM	005511102-0003	8/2018
EM	005511102-0004	8/2018
EM	005618204-0001	8/2018
EM	D05887585-0006	1/2019
EM	006501607-0001	5/2019
EP	0922399 A2	6/1999
EP	1683736 A2	7/2006
EP	1864916 A1	12/2007
EP	2571391 A2	3/2013
FR	20105616-001	4/2011
GB	2045117	6/1995
GB	4012617	10/2009
JP	S4971312 U	6/1974
JP	S49112604 U	9/1974
JP	S49123217 A	11/1974
JP	S53161363 U	12/1978
JP	S58039009 A	3/1983
JP	S59070508 U	5/1984
JP	S6076076 U	5/1985
JP	S61073224 U	5/1986
JP	S62058606 A	3/1987
JP	S62134836 U	8/1987
JP	S63068865 U	5/1988
JP	S63111442 U	7/1988
JP	H01126956 U	8/1989
JP	1992074010 U	6/1992
JP	H04074010 U	6/1992
JP	H0556809 A	3/1993
JP	H06021210 A	1/1994

JP	H06021210 U	3/1994
JP	3003213 U	10/1994
JP	H06076076 U	10/1994
JP	H0679320 U	11/1994
JP	H08502427 A	3/1996
JP	H9328149 A	12/1997
JP	H10127329 A	5/1998
JP	3051283 U	8/1998
JP	H126956 A	1/1999
JP	H11147572 A	6/1999
JP	3059196 U	7/1999
JP	H11269713 A	10/1999
JP	3160109 B2	4/2001
JP	2001267164 A	9/2001
JP	2003071978 A	3/2003
JP	2004000355 A	1/2004
JP	S3515781 B2	4/2004
JP	2005335769 A	12/2005
JP	2005343482 A	12/2005
JP	2006123987 A	5/2006
JP	4074010 B2	4/2008
JP	D1355521	4/2009
JP	D1376358	12/2009
JP	2010030644 A	2/2010
JP	2010512281 A	4/2010
JP	D2010-8653	12/2010
JP	2011121631 A	6/2011
JP	D2012-551	8/2012
JP	D1487395	1/2014
JP	D1500514	6/2014
JP	D1619280	12/2018
KR	20020046244 A	6/2002
KR	200341520 Y1	2/2004
KR	20070089473 A	8/2007
KR	3020070006269	12/2007
KR	3020070006271	2/2008
KR	3020100039256	4/2012
KR	3020120016755	9/2012
KR	3020140014014	11/2014
TR	652921-0001	7/2013
WO	9408541 A1	4/1994
WO	D032527-029	5/1995
WO	D038554-029	2/1997
WO	0108527 A1	2/2001
WO	08025905 A2	3/2008
WO	D082059-001	11/2013
WO	D091354-003	3/2016
WO	D099344-004	2/2018
WO	D099344-034	2/2018
WO	D099990-006	3/2018
WO	D103345-001	4/2019
WO	2019135922 A1	7/2019

OTHER PUBLICATIONS

- Feb. 27, 2015—(CN) CSR—App. No. CN103237473B.
- Jan. 15, 2015—(CN) Office Action—App No. 201180031291.5.
- Jan. 29, 2021—(EP) Supplementary Search Report—App. No. 18763122.1.
- Oct. 20, 2020—(IP) Office Action—App. No. 2019548313.
- Jun. 19, 2018—(WO) International Search Report and Written Opinion—App. No. PCT/US18/21546.

* cited by examiner

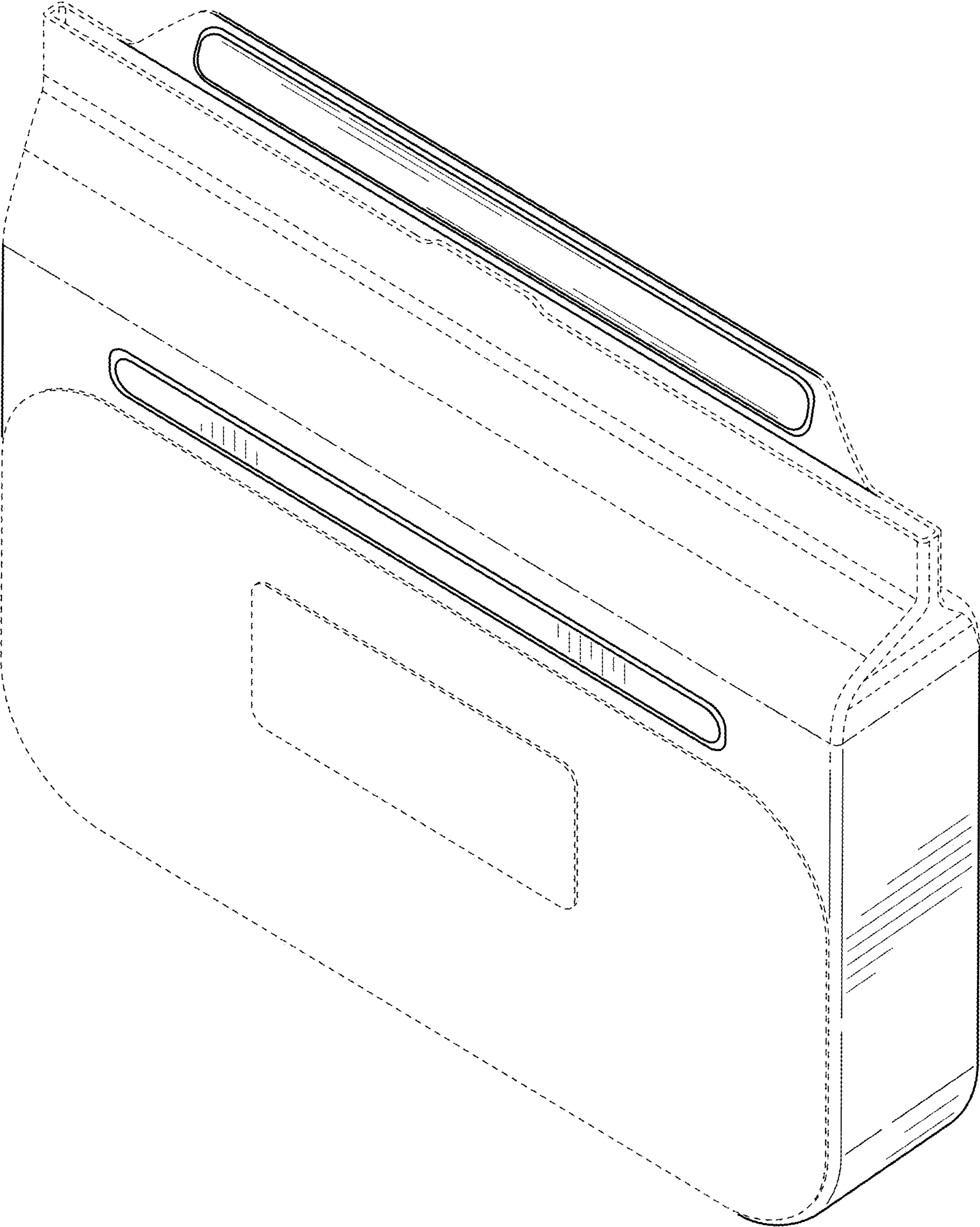


FIG. 1

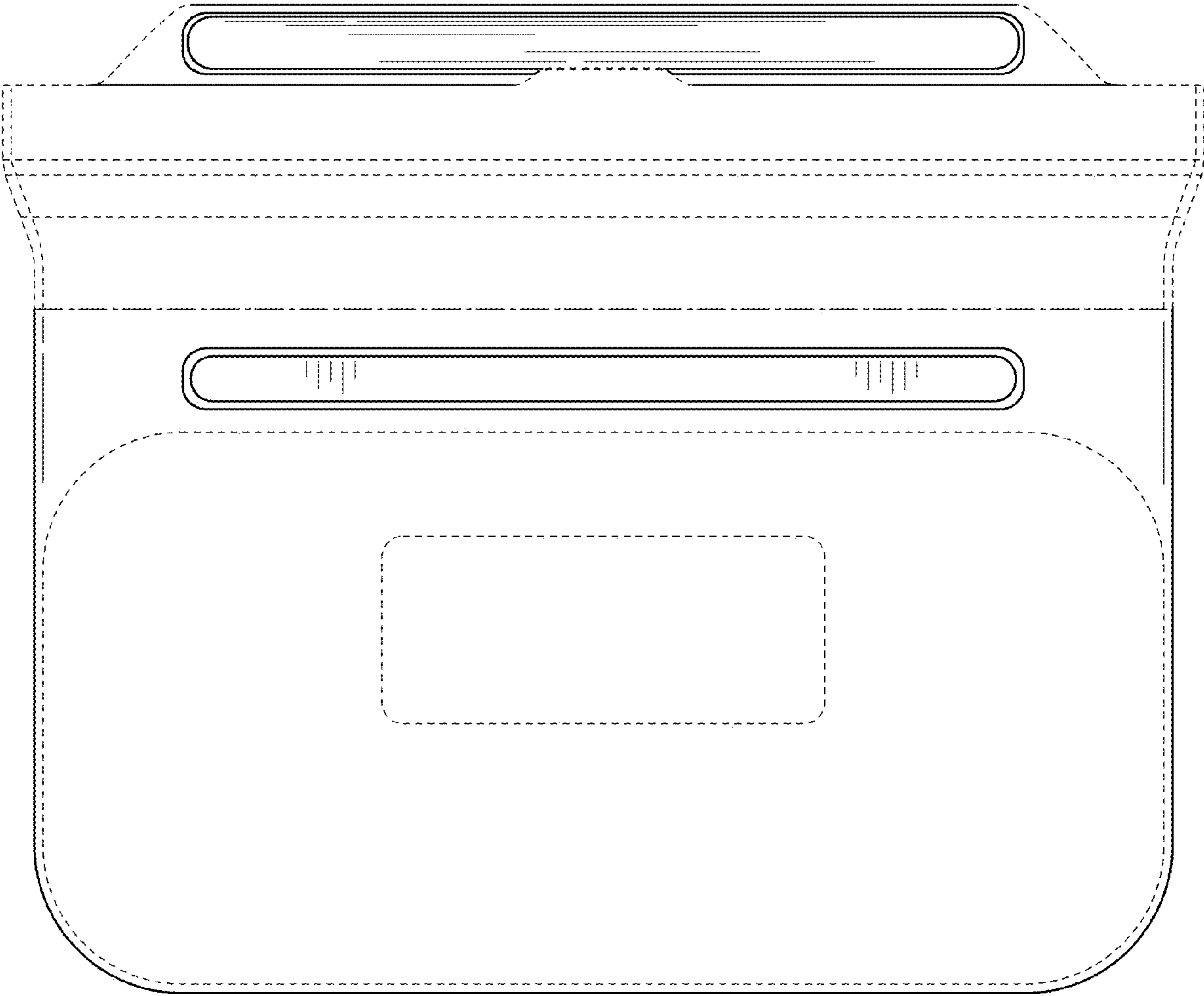


FIG. 2

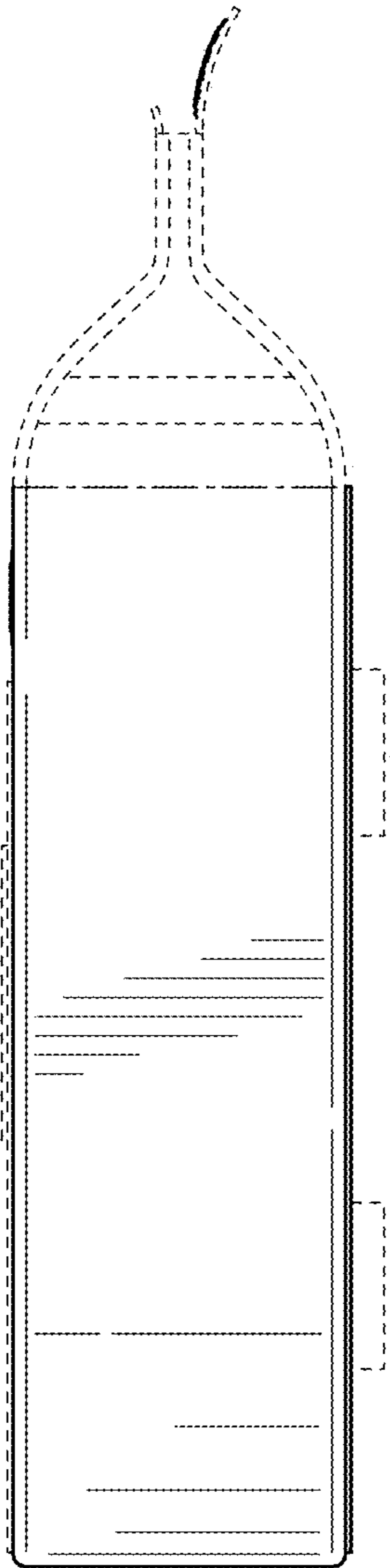


FIG. 3

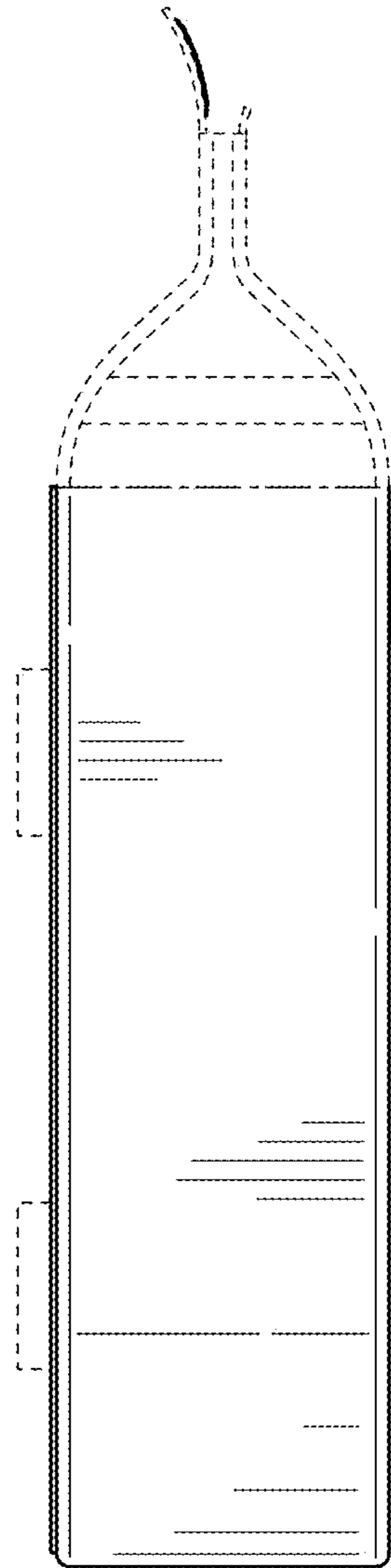


FIG. 4

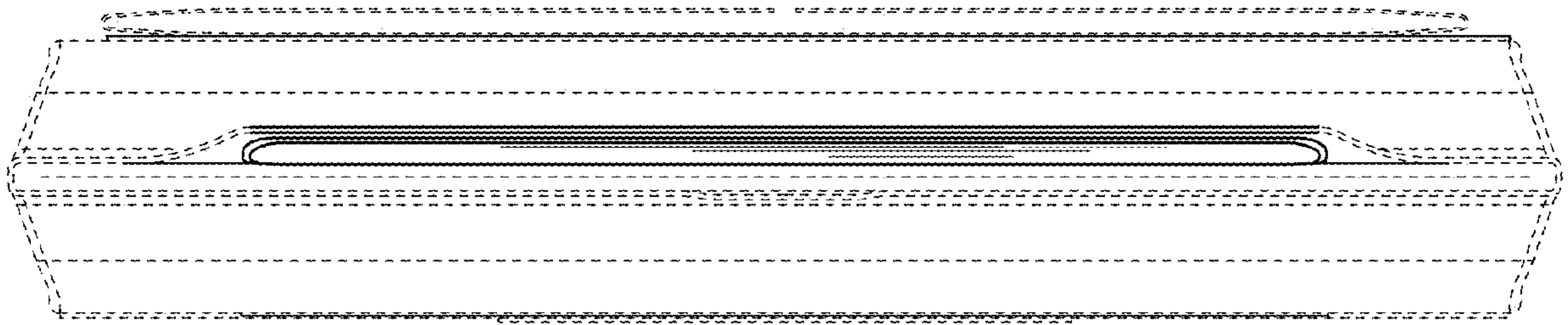


FIG. 5

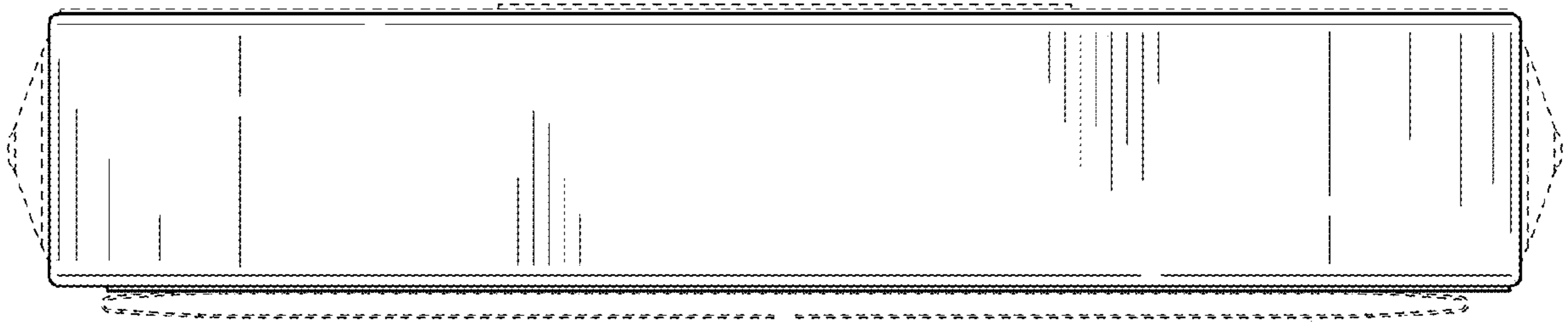


FIG. 6

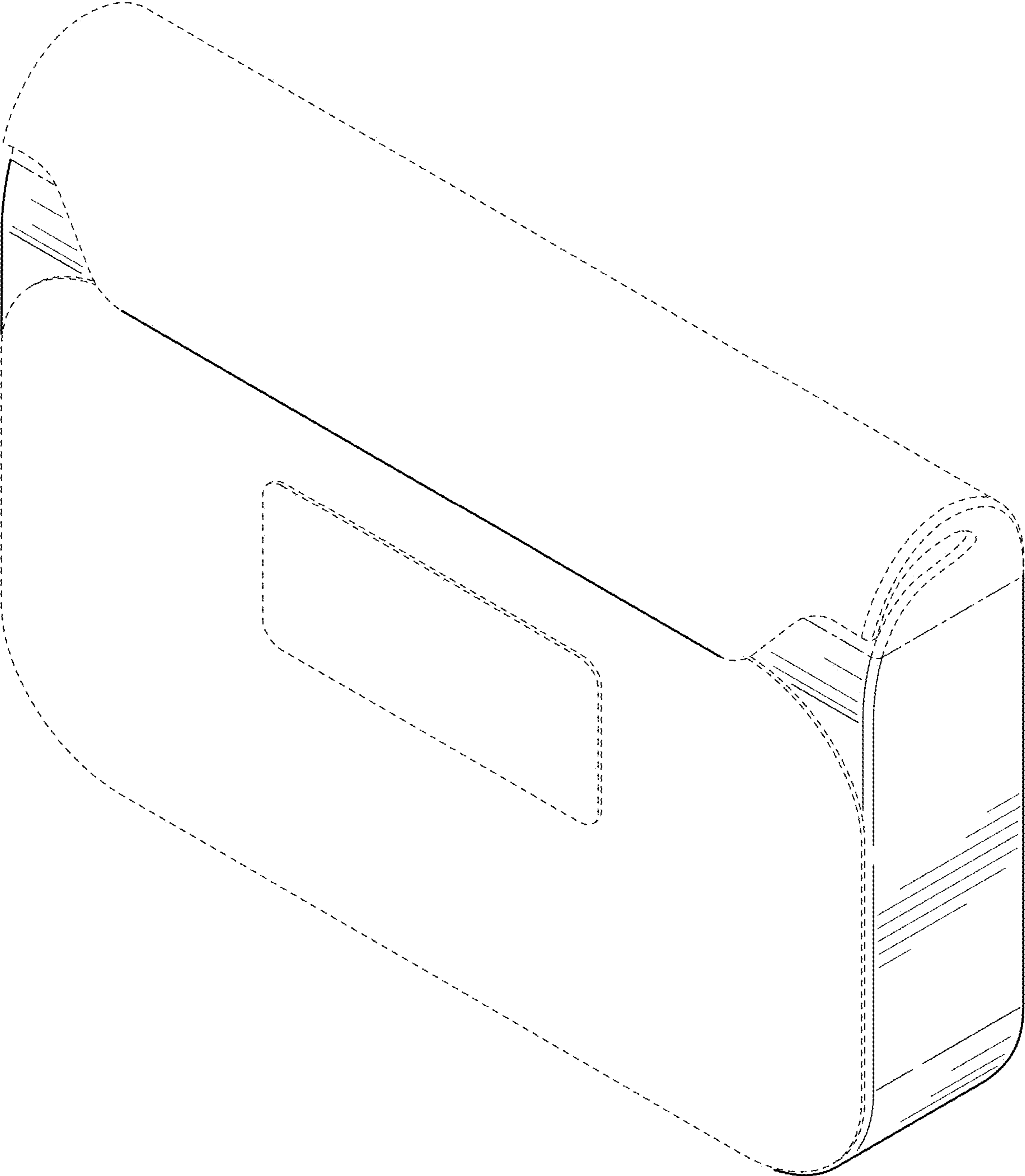


FIG. 7