



US00D919297S

(12) **United States Design Patent**
Wang

(10) **Patent No.:** **US D919,297 S**

(45) **Date of Patent:** **** May 18, 2021**

- (54) **CRAFT ORGANIZER BAG**
- (71) Applicant: **XIAMEN XINGHENGXING
IMPORT & EXPORT CO., LTD.,
Xiamen (CN)**
- (72) Inventor: **Jiben Wang, Xiamen (CN)**
- (73) Assignee: **XIAMEN XINGHENGXING
IMPORT & EXPORT CO., LTD.,
Xiamen (CN)**

D762,384 S	8/2016	Boroski	
D766,571 S	9/2016	Boroski	
D835,411 S *	12/2018	Hughes	D3/305
D843,113 S *	3/2019	Carter	D3/315
D851,936 S *	6/2019	Lit Chung	D3/315
D868,468 S *	12/2019	Currier	D3/315
D869,847 S *	12/2019	Huebner	D3/315
D885,055 S	5/2020	Zhao	
2006/0278690 A1 *	12/2006	Wang	B65D 25/04 229/120.33
2010/0270342 A1 *	10/2010	Barthel	A45C 3/04 224/148.4

(**) Term: **15 Years**

(21) Appl. No.: **29/758,240**

(22) Filed: **Nov. 13, 2020**

(51) **LOC (13) Cl.** **03-01**

(52) **U.S. Cl.**
USPC **D3/315**

(58) **Field of Classification Search**
USPC D3/315
CPC A45F 3/16; A45C 5/00
See application file for complete search history.

(56) **References Cited**

U.S. PATENT DOCUMENTS

6,810,933 B2 *	11/2004	Gordon	A45C 13/02 150/107
D526,484 S *	8/2006	Flint	D3/283
D714,059 S *	9/2014	Blackwell	D3/304

* cited by examiner

Primary Examiner — Charles D Hanson

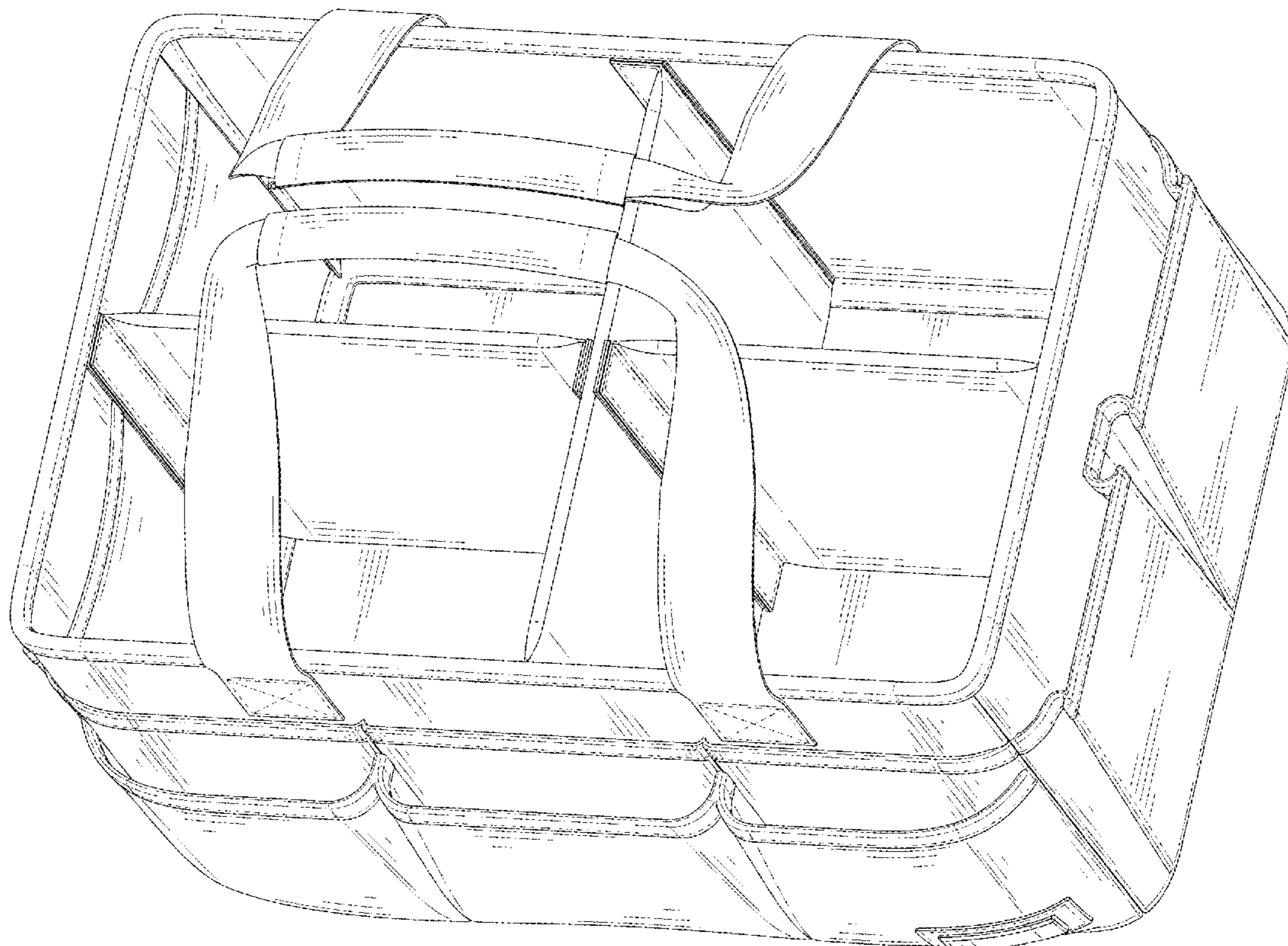
(57) **CLAIM**

The ornamental design for a craft organizer bag, as shown and described.

DESCRIPTION

FIG. 1 is a perspective view of a craft organizer bag showing my new design;
 FIG. 2 is another perspective view thereof;
 FIG. 3 is a front elevational view thereof;
 FIG. 4 is a rear elevational view thereof;
 FIG. 5 is a left side elevational view thereof;
 FIG. 6 is a right side elevational view thereof;
 FIG. 7 is a top plan view thereof; and,
 FIG. 8 is a bottom plan view thereof.
 The broken lines in the drawings depict stitching that form no part of the claimed design.

1 Claim, 8 Drawing Sheets



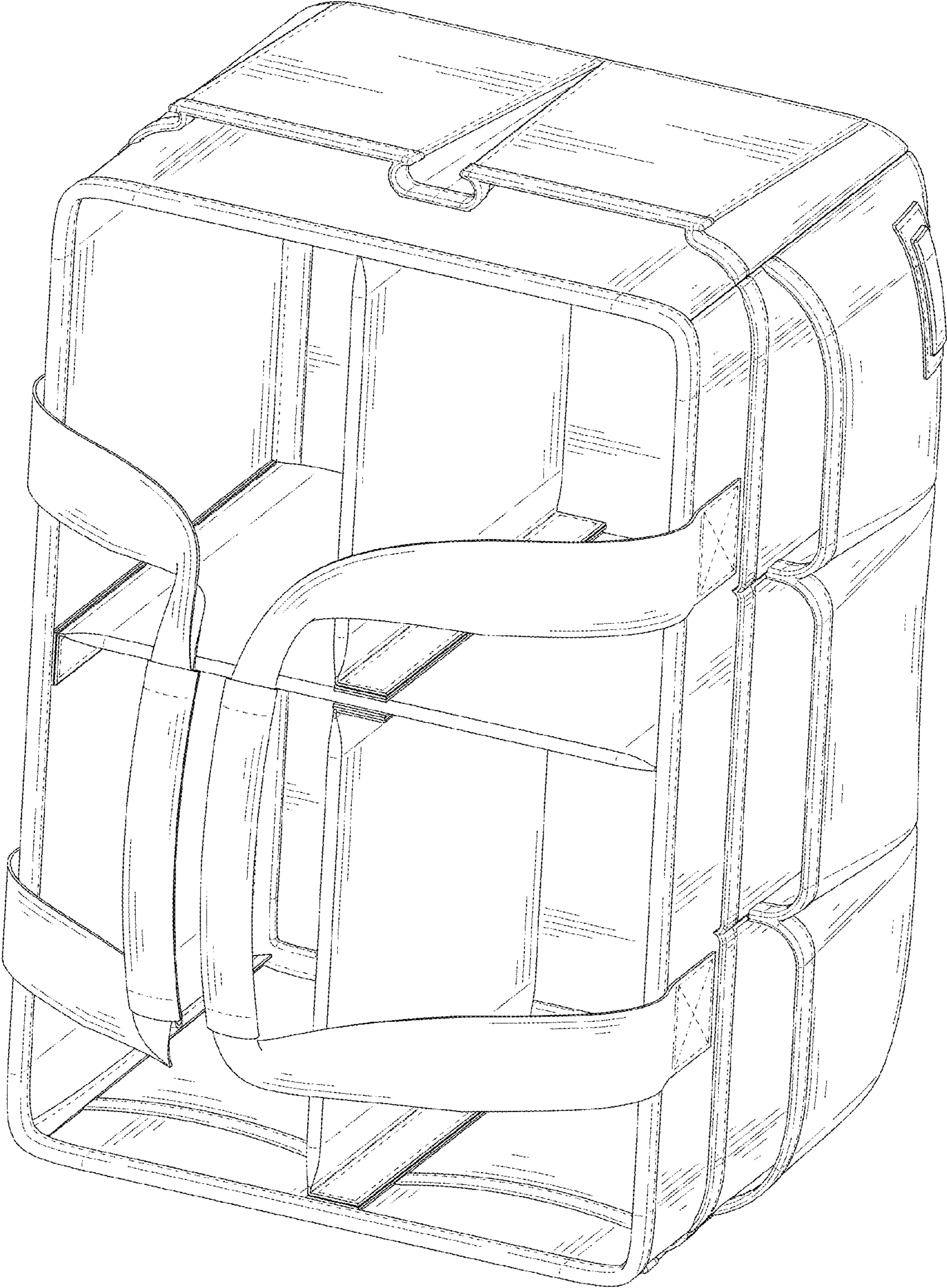


FIG. 1

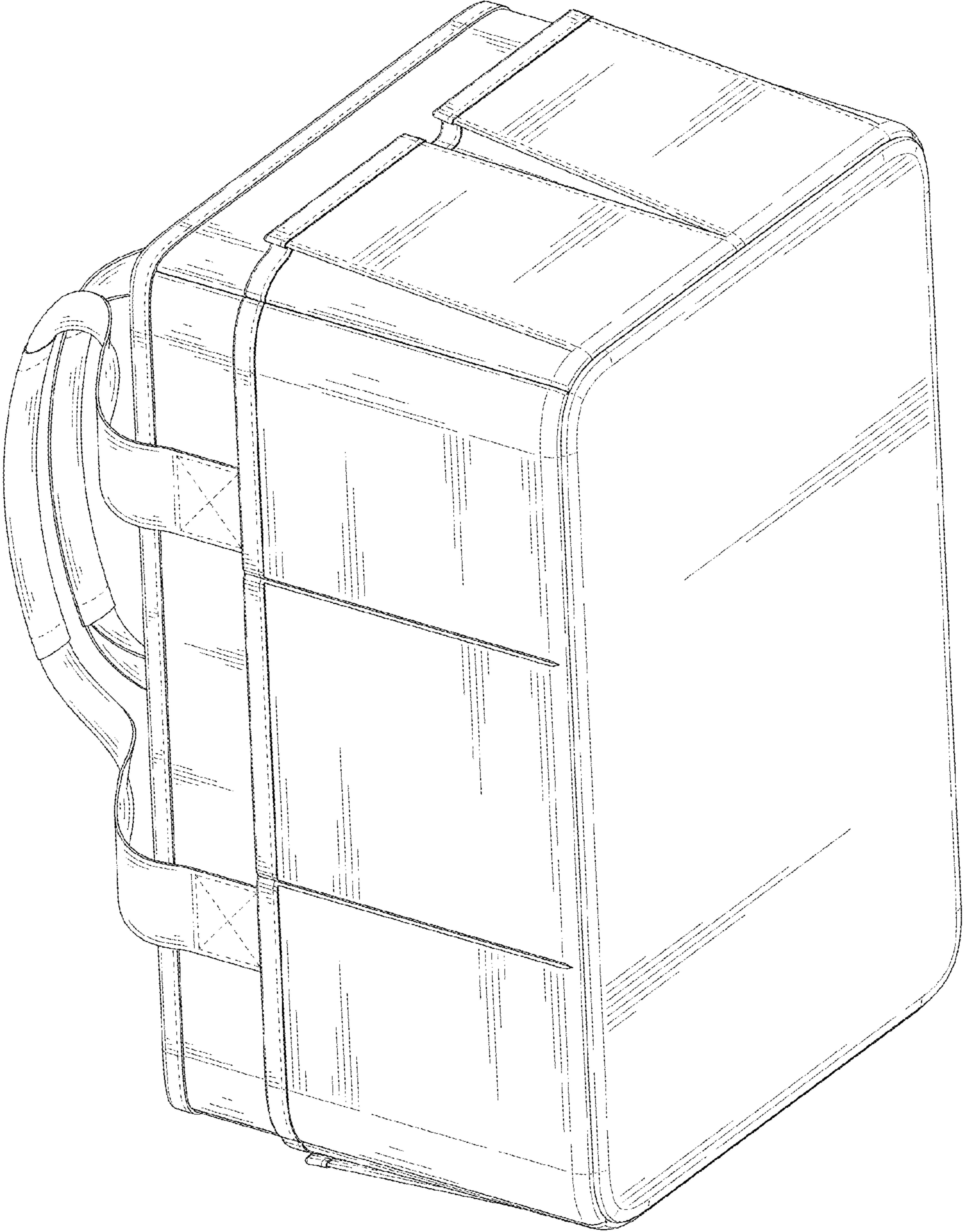


FIG. 2

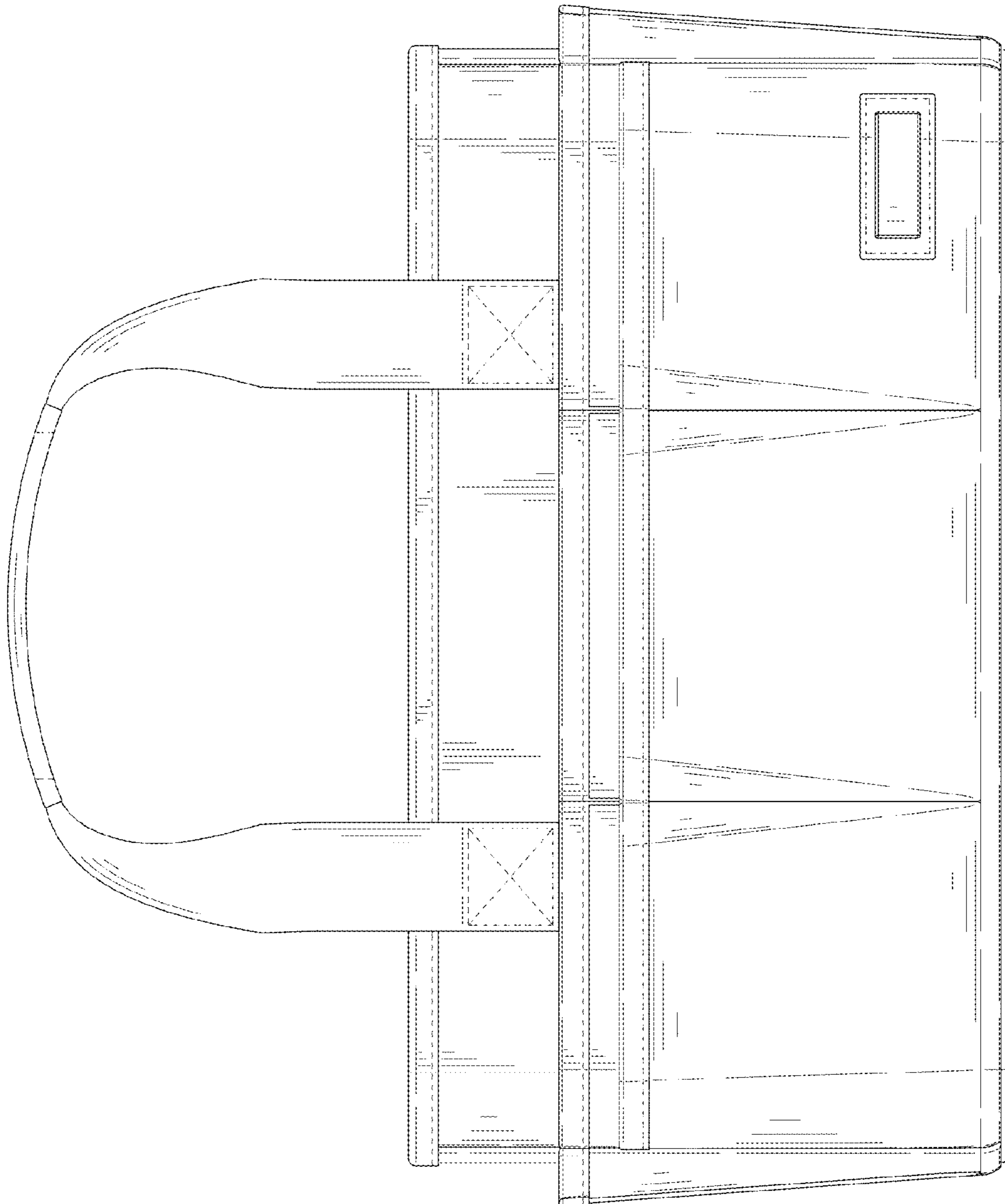


FIG. 3

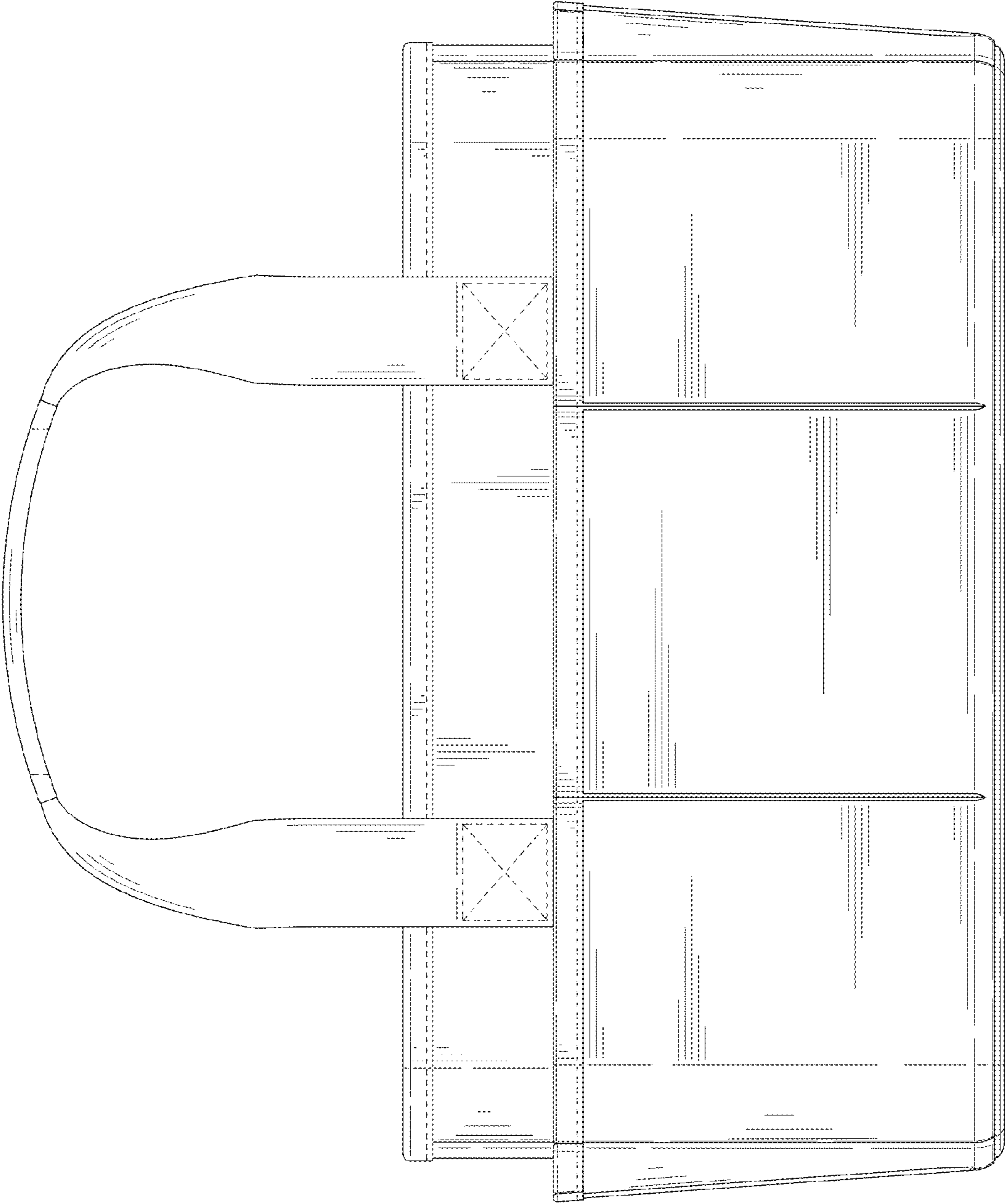


FIG. 4

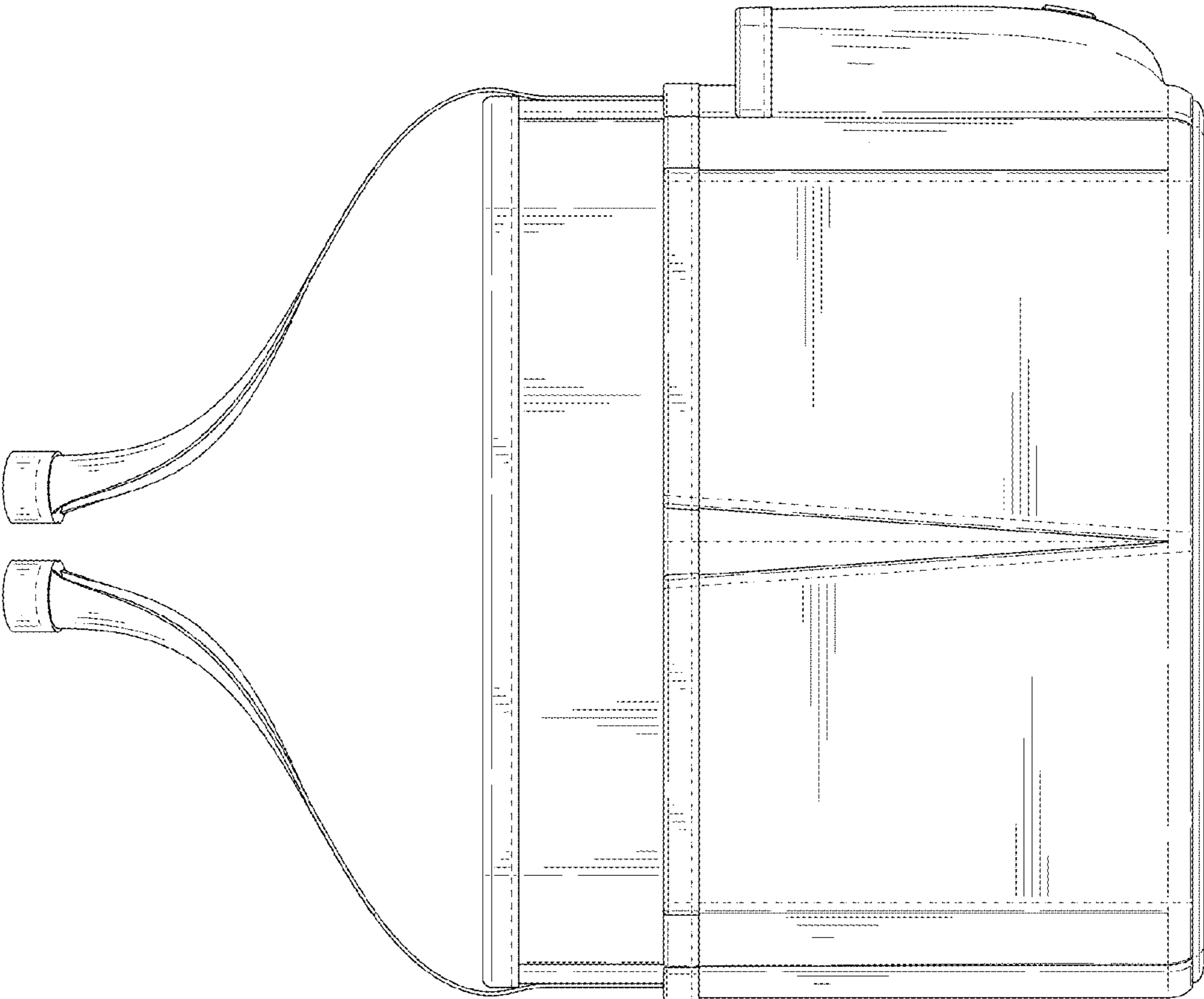


FIG. 5

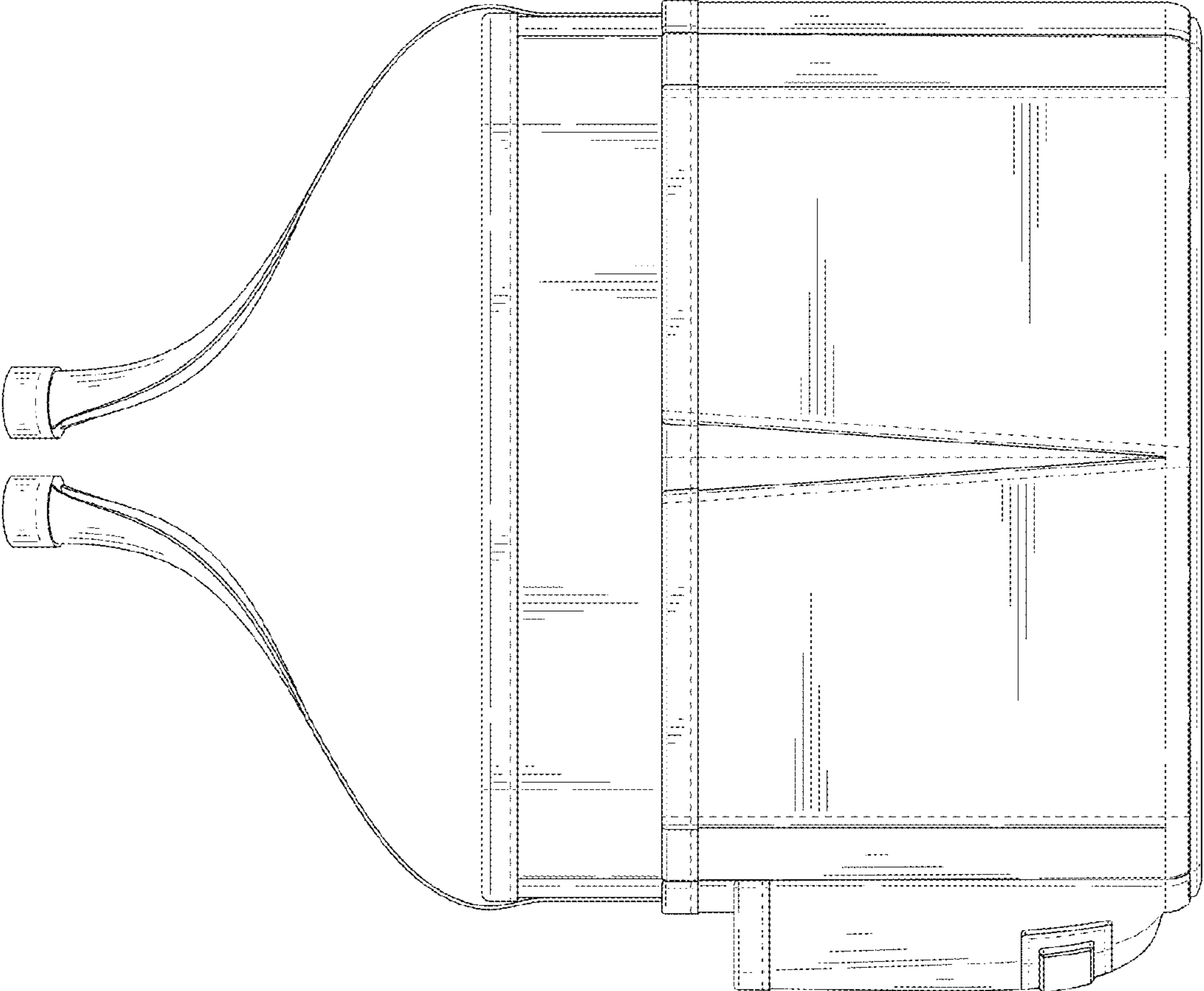


FIG. 6

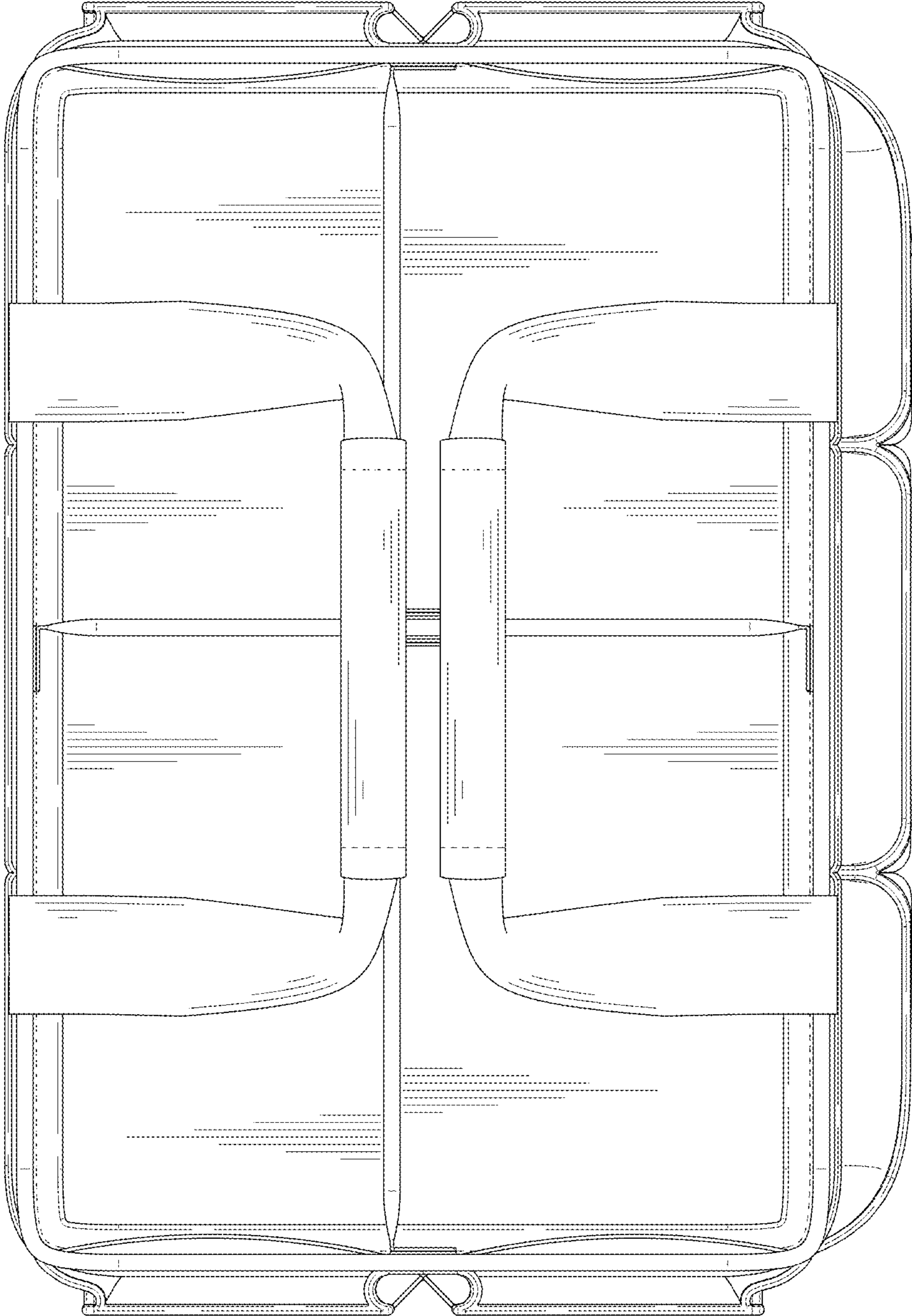


FIG. 7

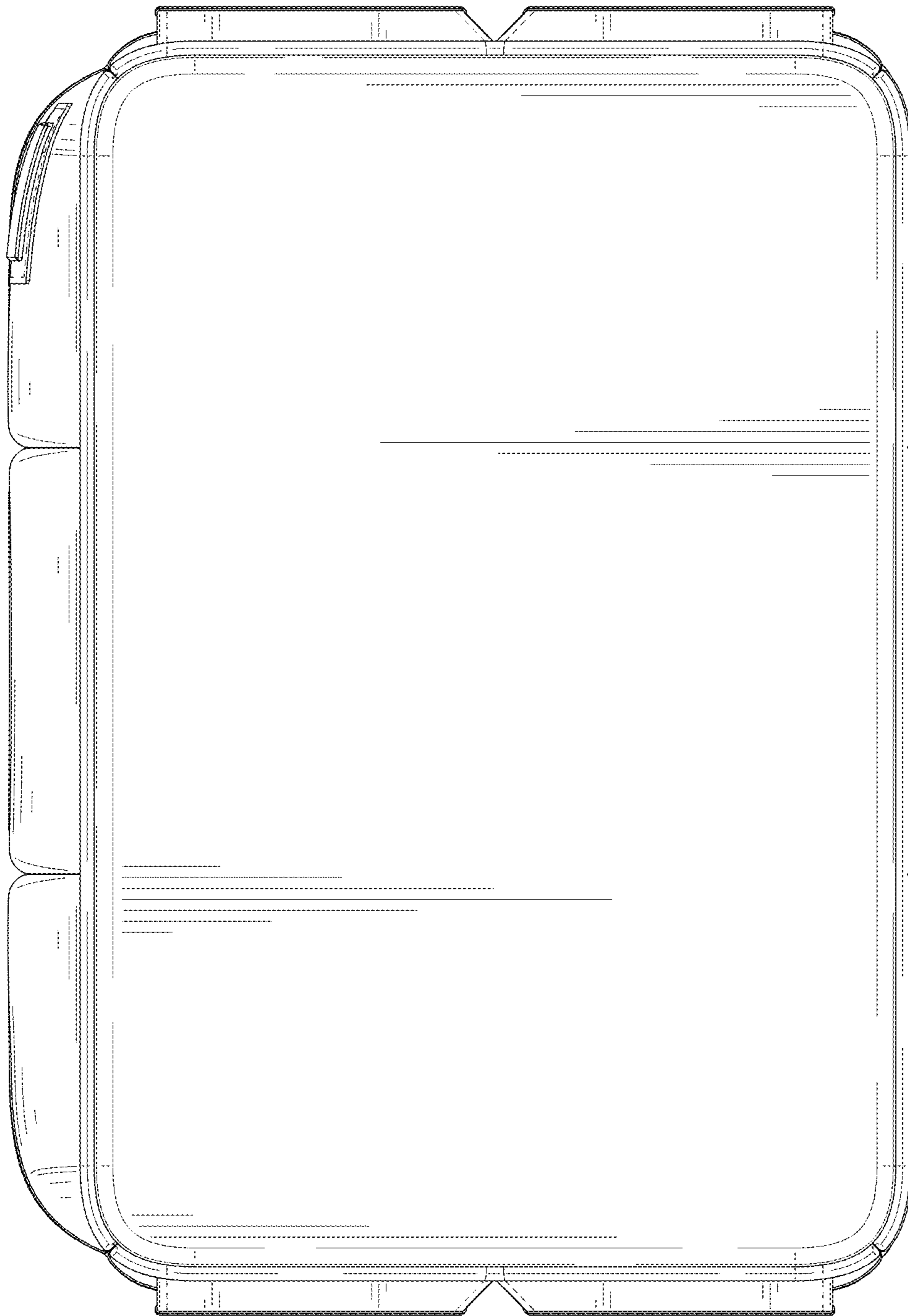


FIG. 8