



US00D919295S

(12) **United States Design Patent**
Zhu et al.

(10) **Patent No.:** **US D919,295 S**

(45) **Date of Patent:** **** May 18, 2021**

(54) **STORAGE BOX**

(71) Applicants: **Jian Fei Zhu**, Hangzhou (CN); **Jia Pan Wang**, Jinhua (CN)

(72) Inventors: **Jian Fei Zhu**, Hangzhou (CN); **Jia Pan Wang**, Jinhua (CN)

(**) Term: **15 Years**

(21) Appl. No.: **29/763,966**

(22) Filed: **Dec. 28, 2020**

(51) **LOC (13) Cl.** **03-01**

(52) **U.S. Cl.**
USPC **D3/304**

(58) **Field of Classification Search**
USPC D3/304, 307-314, 315; D9/432, 741;
D19/75, 77; D6/512
CPC A45C 13/083; B65D 1/00; B65D 1/22;
B65D 1/24; B65D 1/243; B65D 1/38
See application file for complete search history.

(56) **References Cited**

U.S. PATENT DOCUMENTS

D235,054 S *	5/1975	Herman	D3/304
D246,872 S *	1/1978	White	D3/304
D260,602 S *	9/1981	O'Donnal	D3/311
D363,662 S *	10/1995	Plater	D3/304
D398,151 S *	9/1998	Ahern, Jr.	D3/304
D415,866 S *	10/1999	Huang	D3/304
D421,183 S *	2/2000	Koskinen	D3/304
D424,298 S *	5/2000	Laib	D3/304
D448,567 S *	10/2001	Buss	D3/304

D549,454 S *	8/2007	Åhman	D3/304
D627,562 S *	11/2010	Osiecki	D3/304
D639,154 S *	6/2011	Chen	D9/424
D663,121 S *	7/2012	Barth	D3/304
D762,387 S *	8/2016	Green	D3/304
D844,988 S *	4/2019	Reinhart	D3/305
D864,569 S	10/2019	Hsieh	
D897,680 S *	10/2020	Foley	D3/304
D899,773 S	10/2020	Hu	
D900,472 S *	11/2020	Durham	D3/304
D901,293 S *	11/2020	Plattner	D9/425
D908,440 S *	1/2021	Samartgis	D7/602

* cited by examiner

Primary Examiner — Kelley A Donnelly

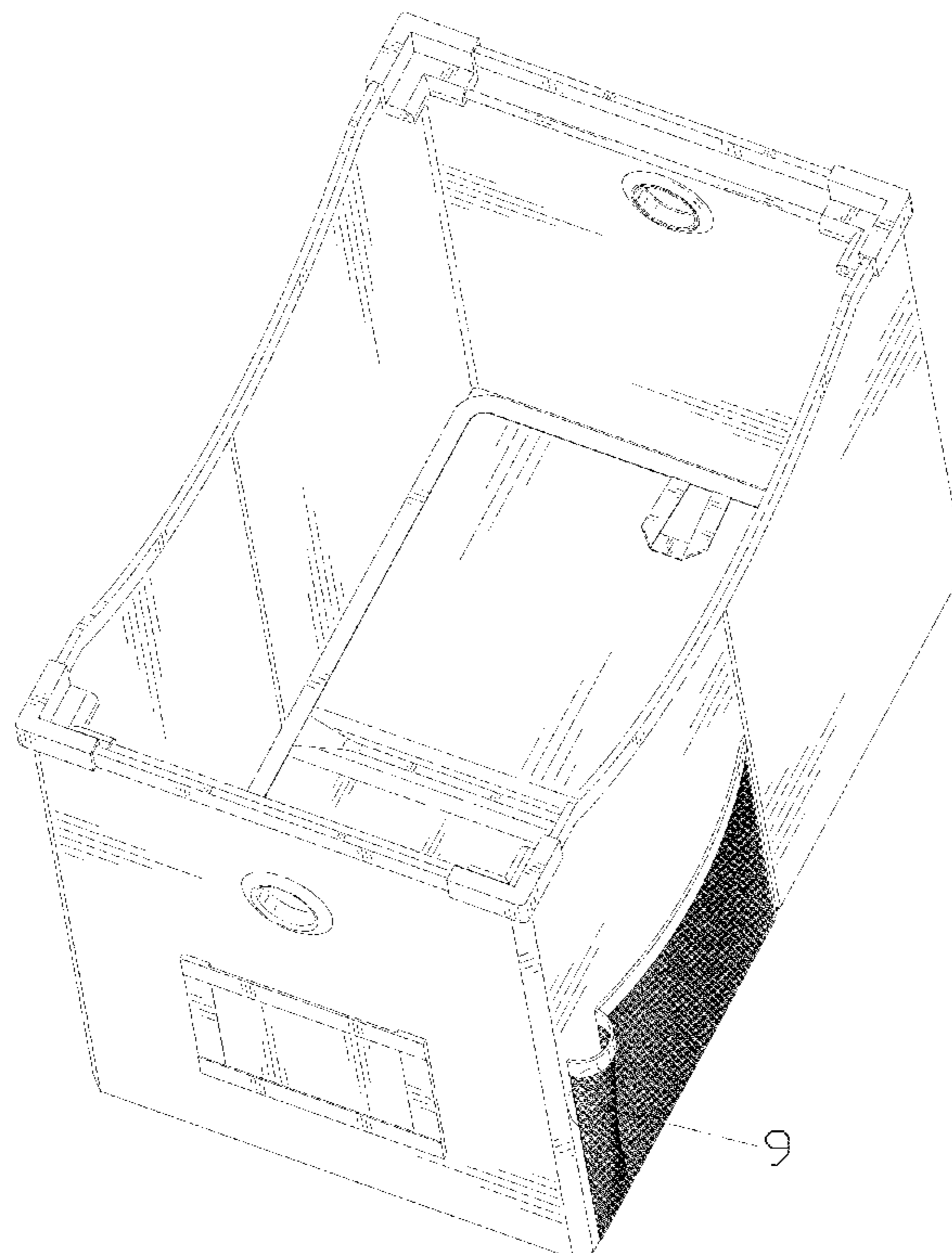
(57) **CLAIM**

The ornamental design for a storage box, as shown and described.

DESCRIPTION

FIG. 1 is a perspective view of a storage box showing my new design;
FIG. 2 is another perspective view thereof;
FIG. 3 is a front elevational view thereof;
FIG. 4 is a rear elevational view thereof;
FIG. 5 is a left side elevational view thereof;
FIG. 6 is a right side elevational view thereof;
FIG. 7 is a top plan view thereof;
FIG. 8 is a bottom plan view thereof;
FIG. 9 is an enlarged view of portion 9 shown in FIG. 1; and,
FIG. 10 is an enlarged view of portion 10 shown in FIG. 3.
The broken lines in the drawings depict portions of the storage box that form no part of the claimed design.

1 Claim, 10 Drawing Sheets



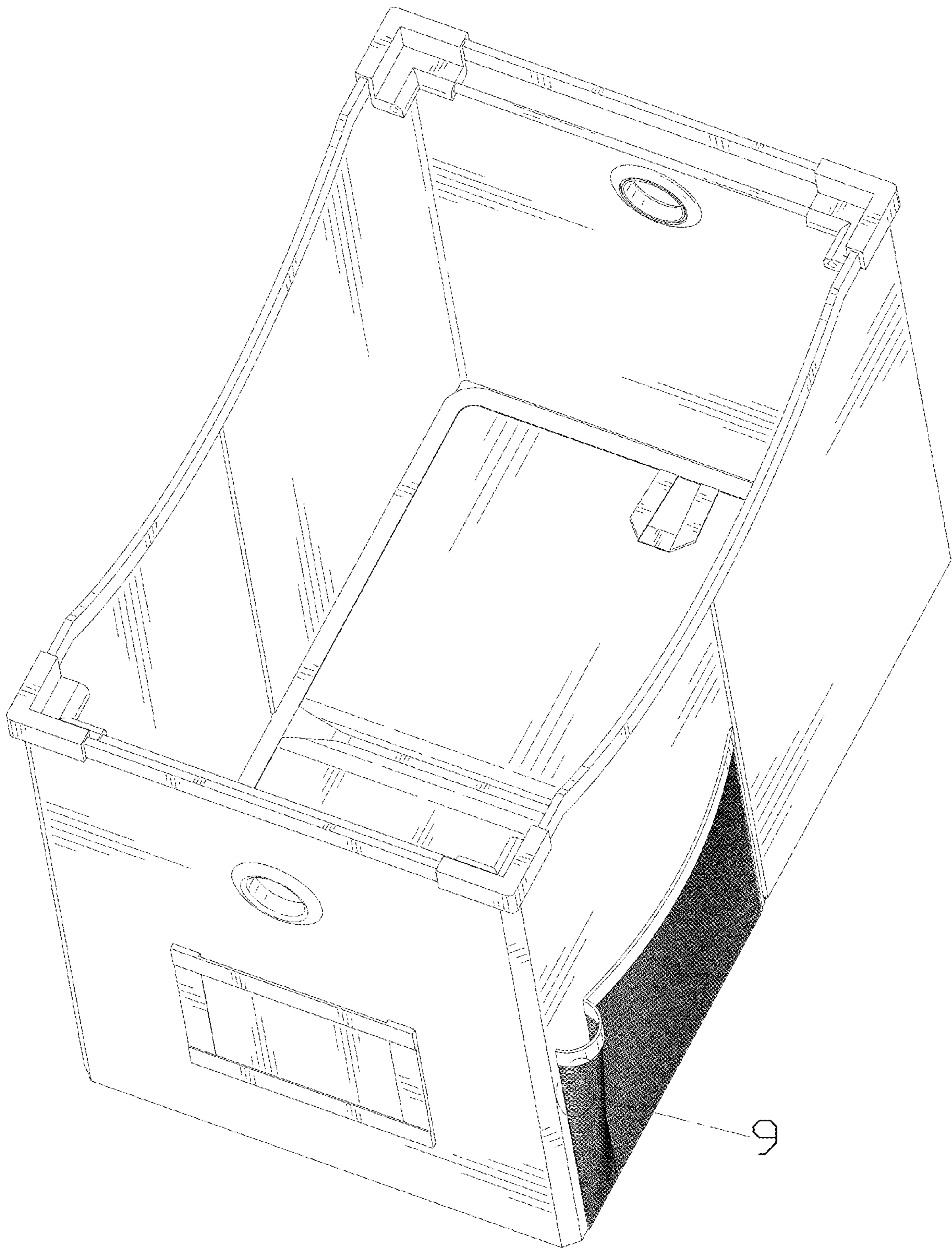


FIG. 1

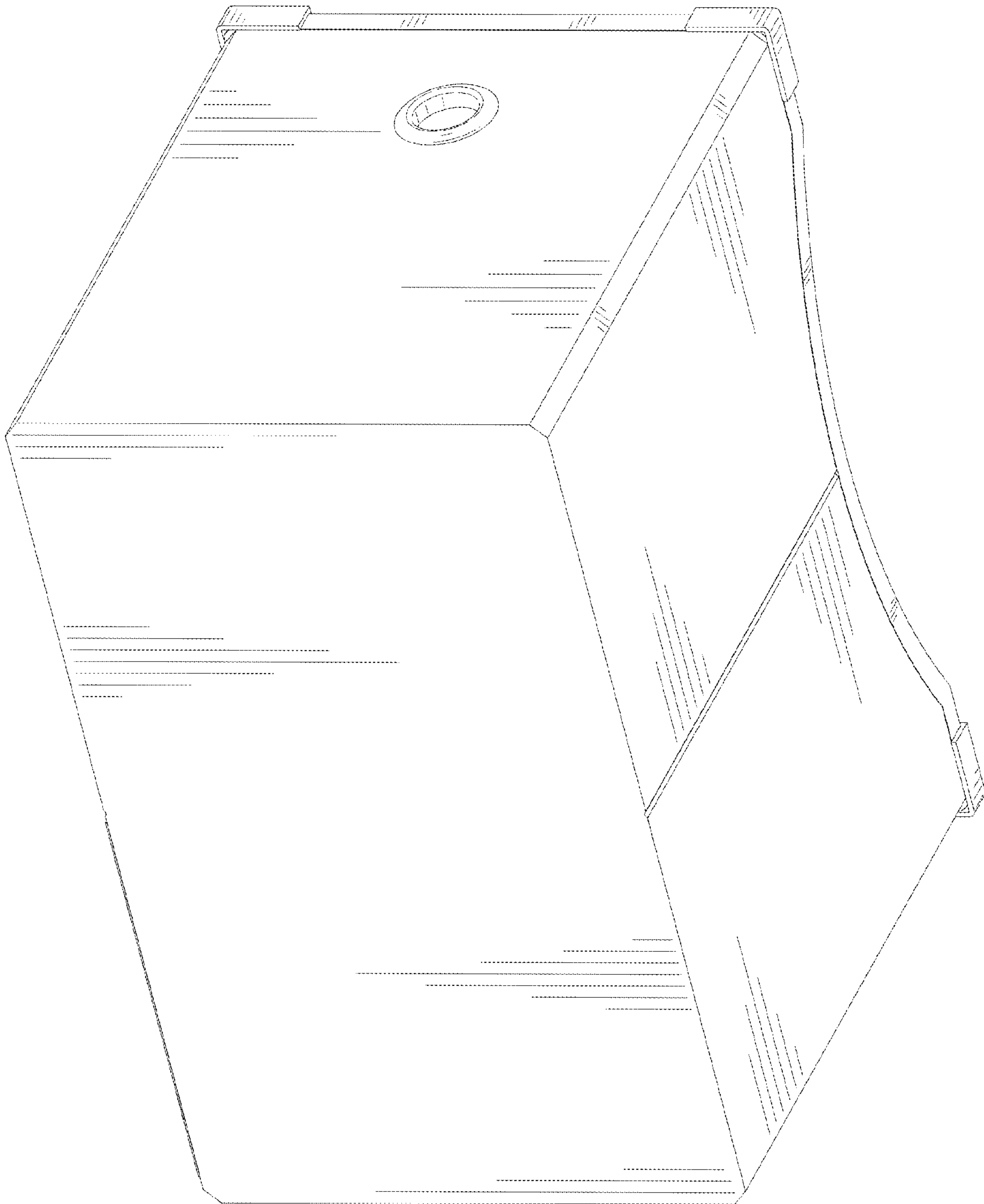


FIG. 2

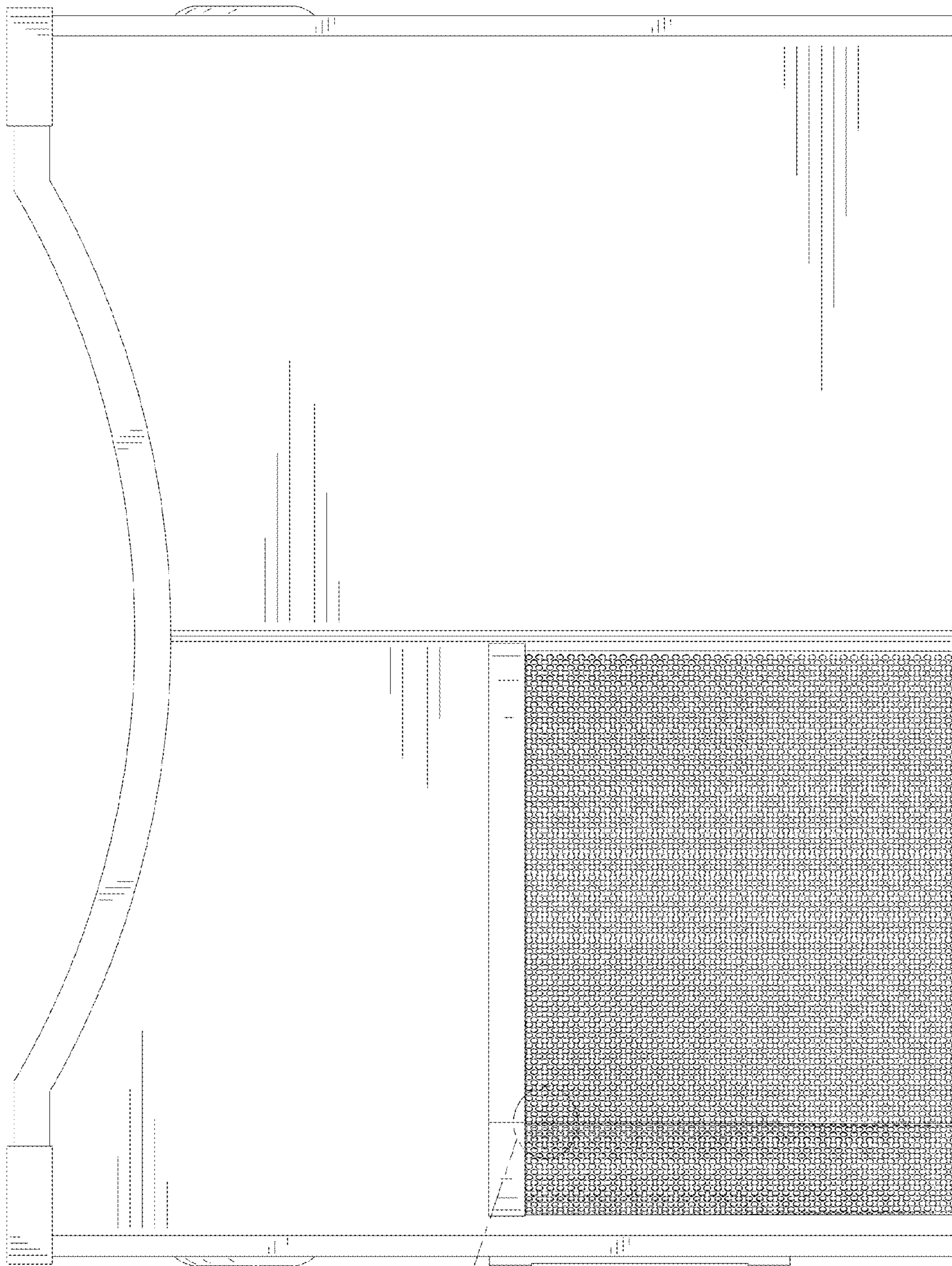


FIG. 3

10

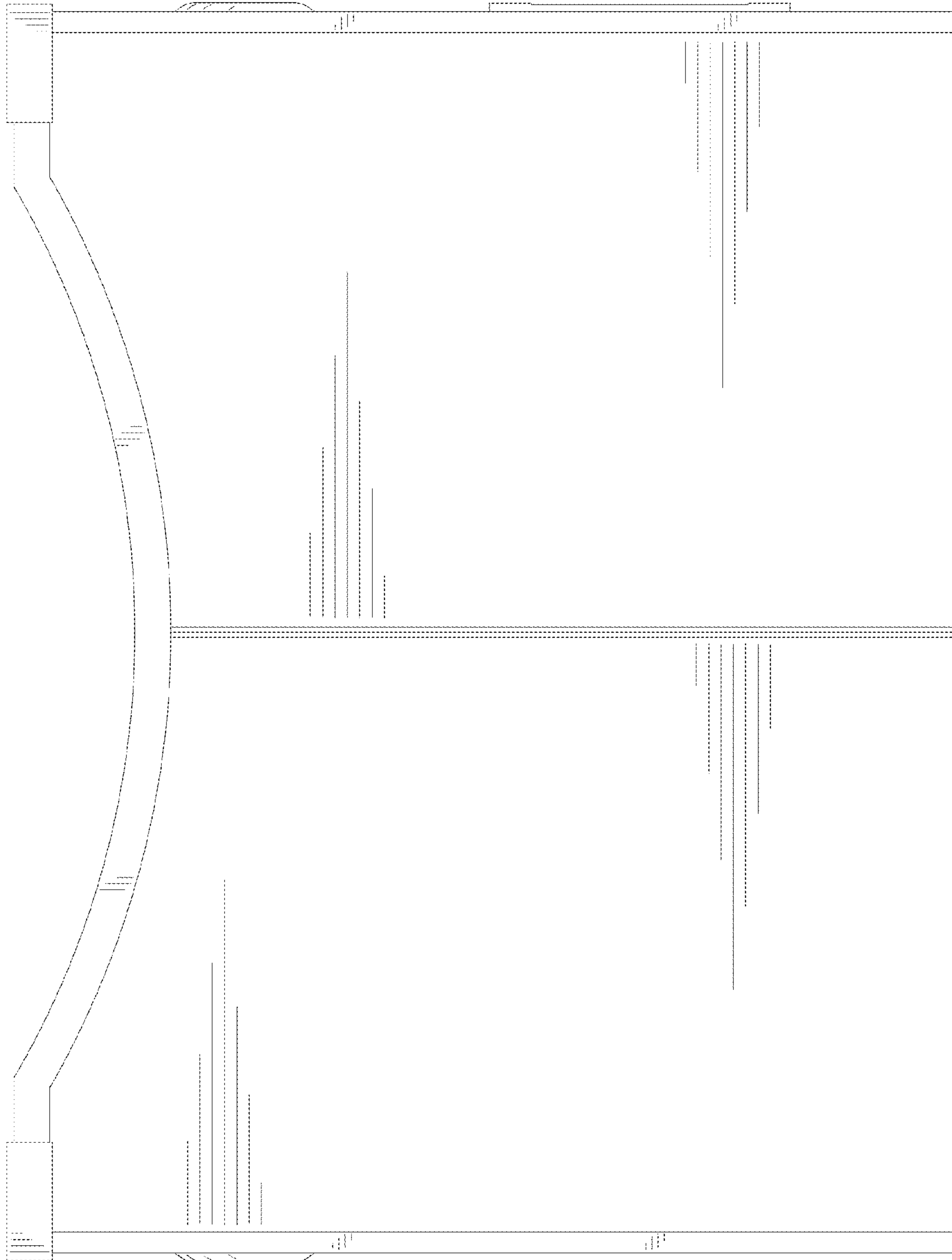


FIG. 4

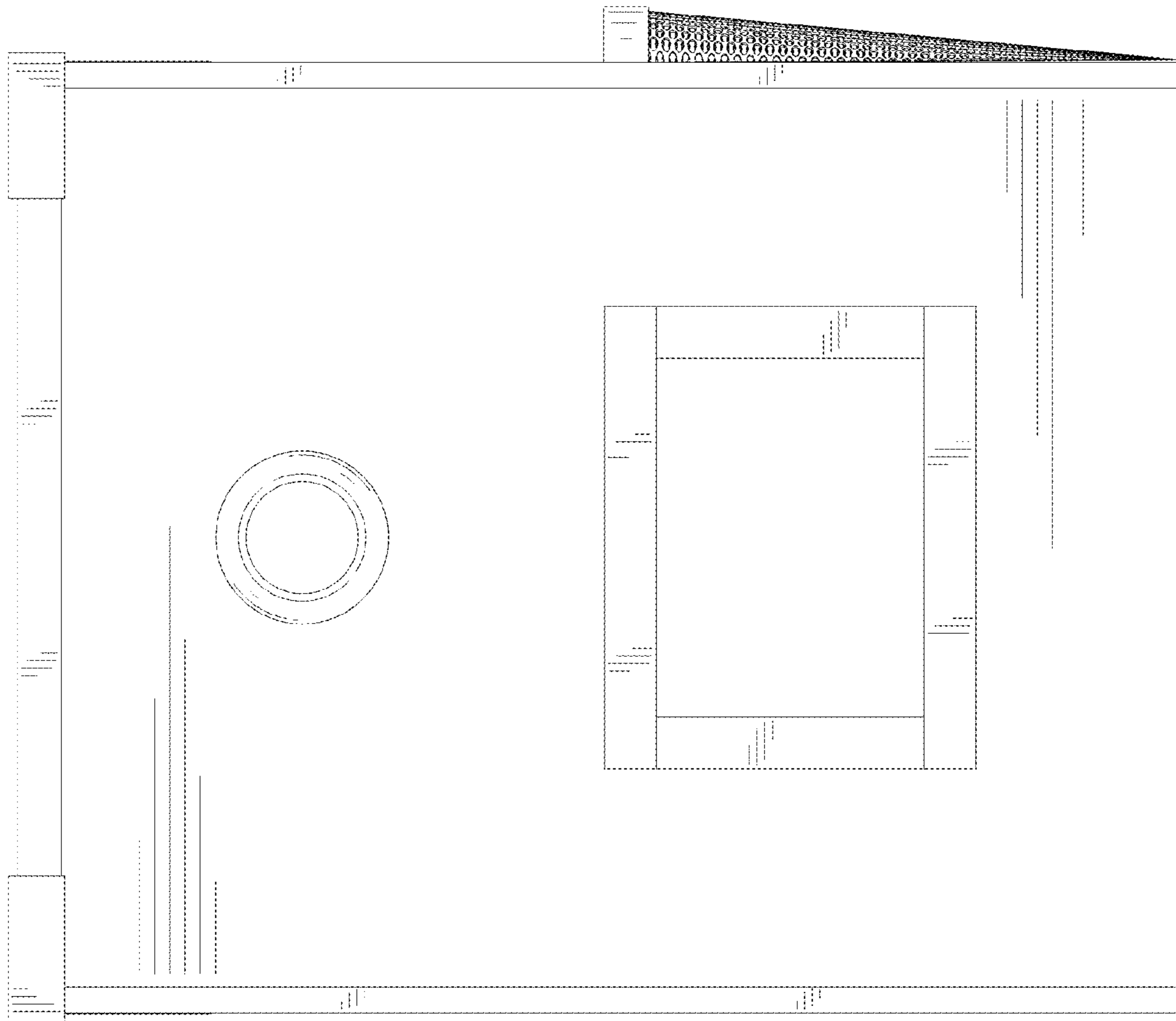


FIG. 5

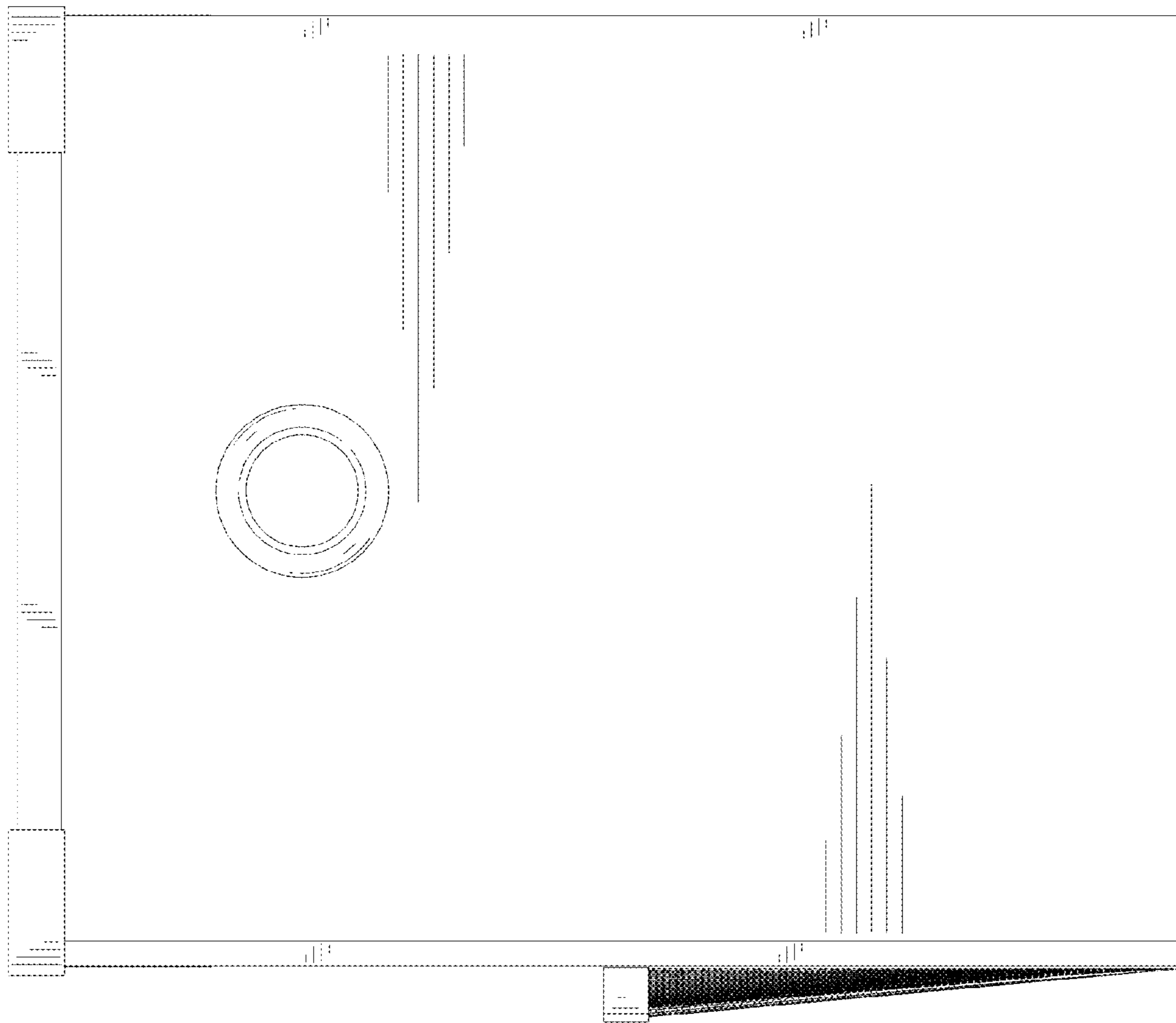


FIG. 6

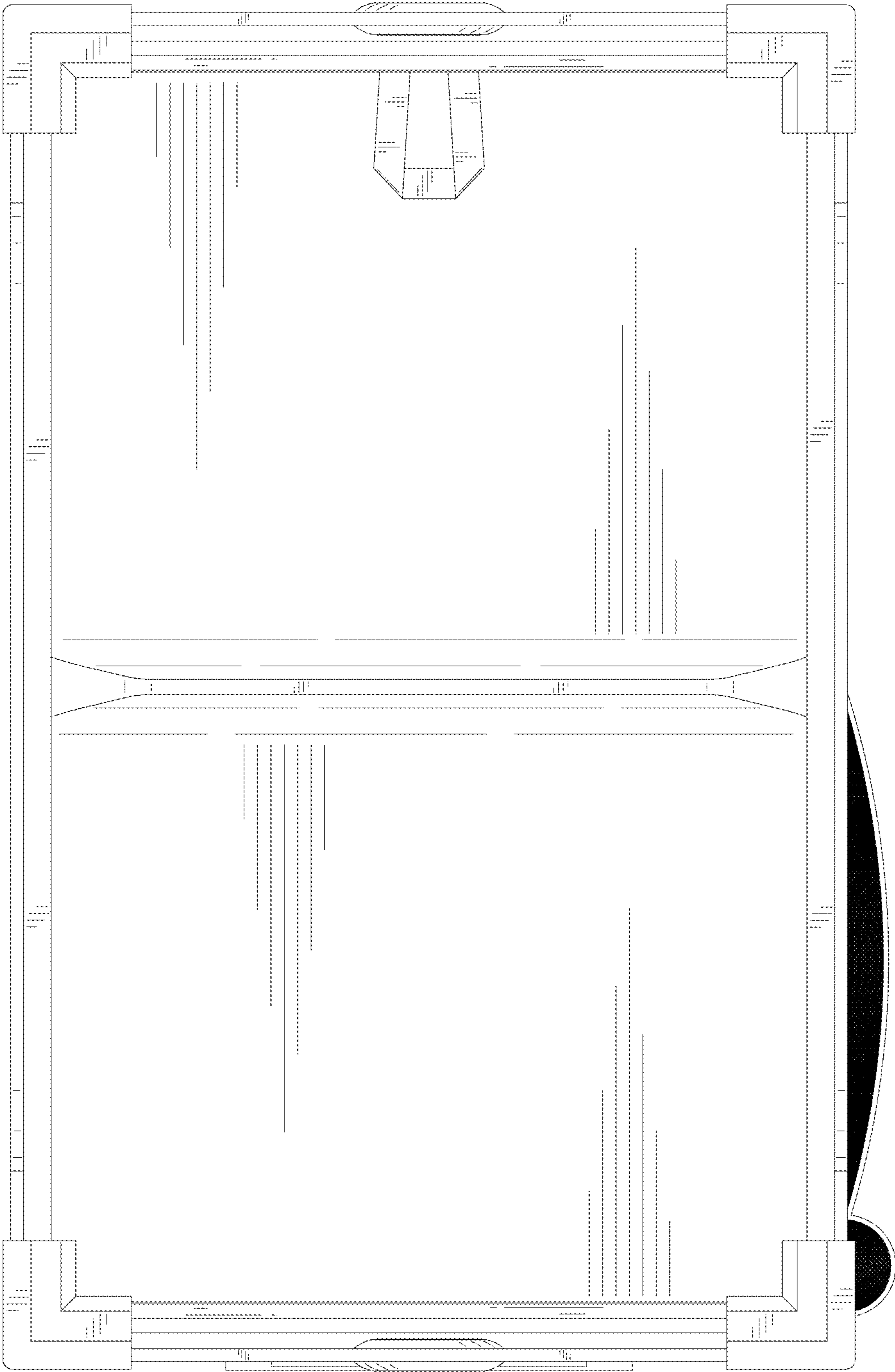


FIG. 7

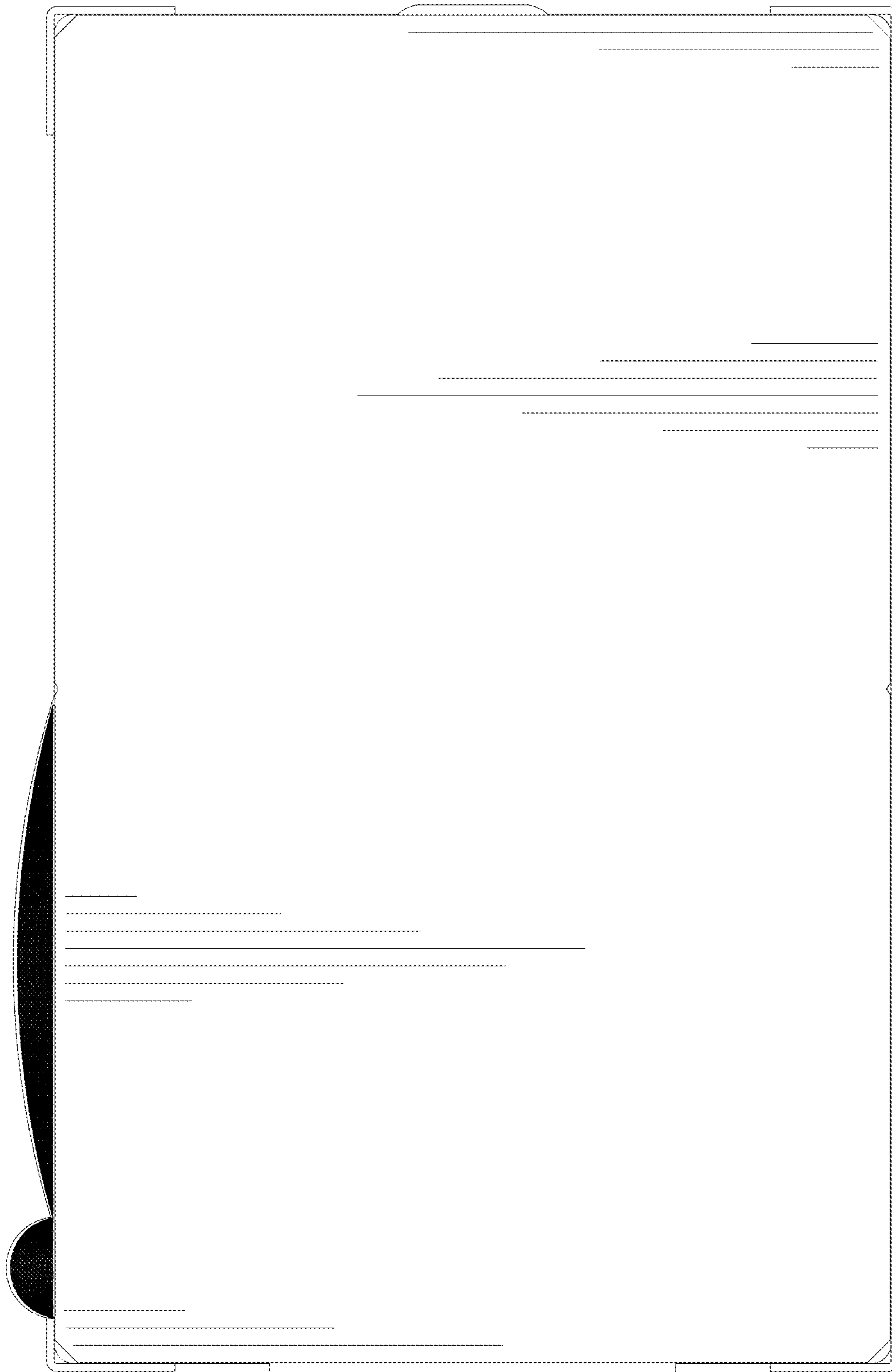


FIG. 8

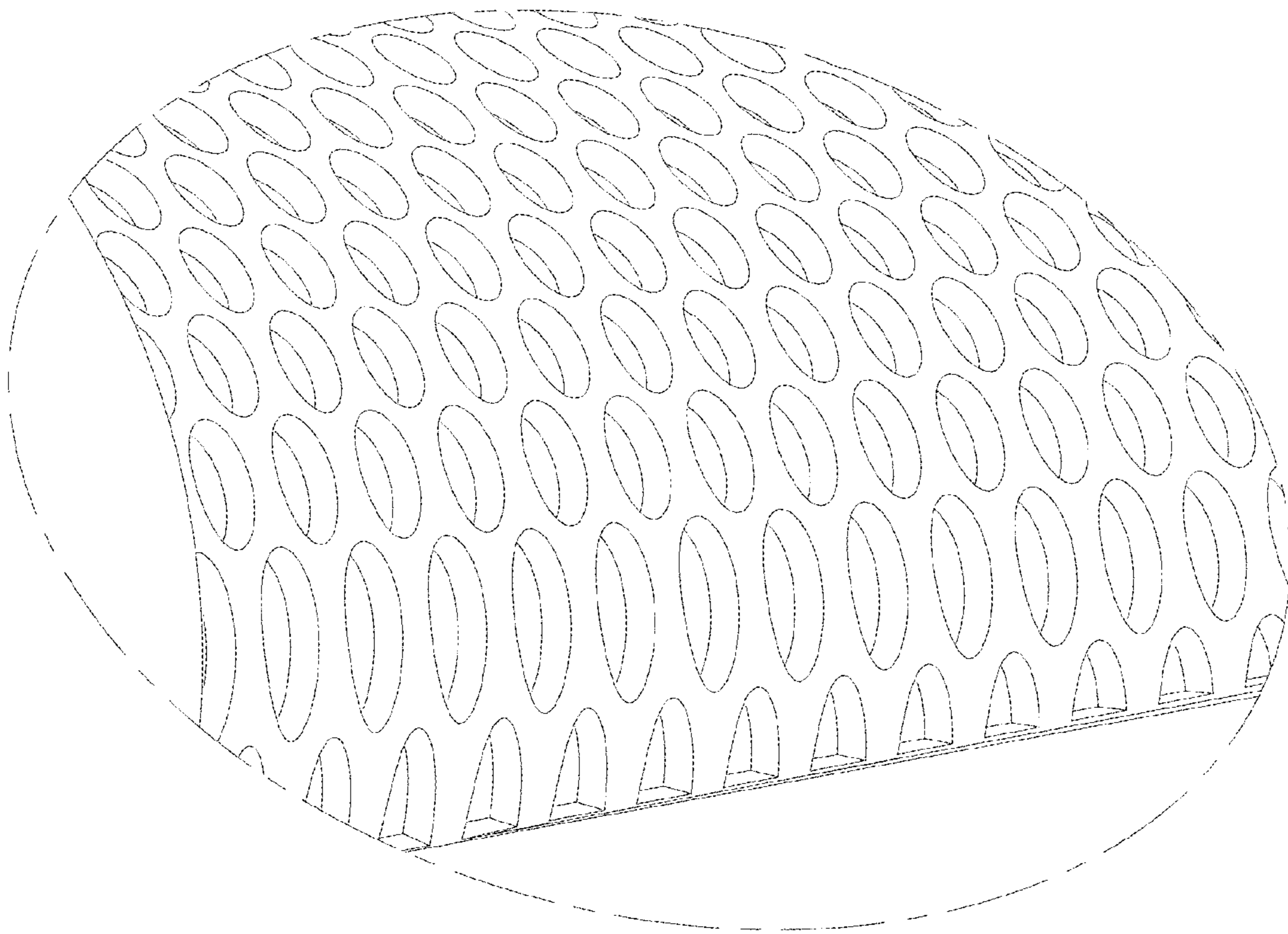


FIG. 9

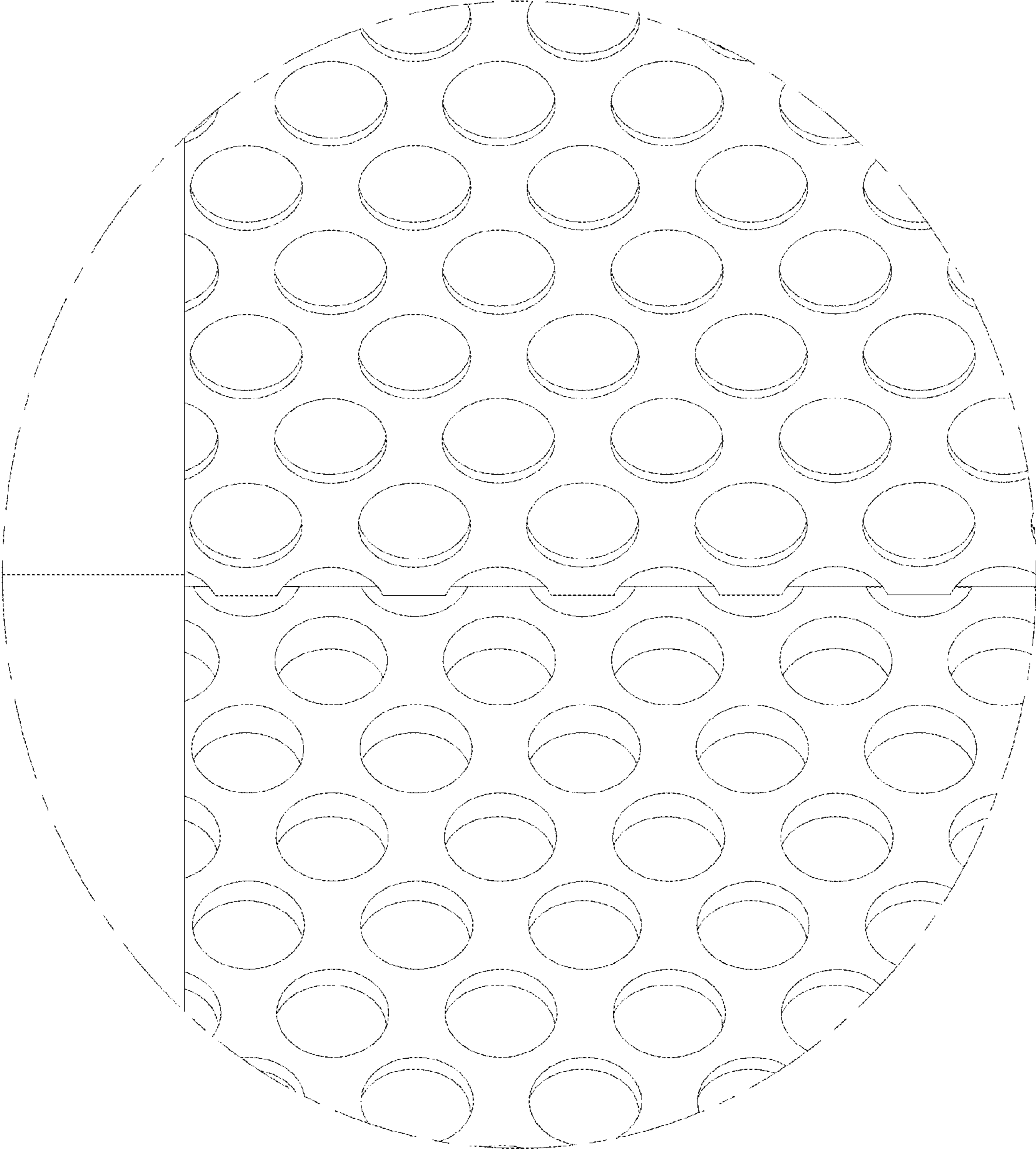


FIG. 10