



US00D919294S

(12) **United States Design Patent**
Fang

(10) **Patent No.:** **US D919,294 S**

(45) **Date of Patent:** **** May 18, 2021**

(54) **EARPHONE BOX**

(71) Applicant: **Yanzhao Fang**, Linxiang (CN)

(72) Inventor: **Yanzhao Fang**, Linxiang (CN)

(**) Term: **15 Years**

(21) Appl. No.: **29/738,000**

(22) Filed: **Jun. 13, 2020**

(51) **LOC (13) Cl.** **03-01**

(52) **U.S. Cl.**
USPC **D3/295; D3/294; D3/201**

(58) **Field of Classification Search**
USPC D3/201, 203.1, 203.3, 203.6, 205, 218,
D3/272-273, 294-295, 301, 319;
D9/414, 418, 423-426, 430, 432,
D9/455-457, 721, 737; D28/83
CPC ... A45C 11/16; A47F 7/03; A47F 7/02; A47G
23/06; A61B 2019/5208
See application file for complete search history.

(56) **References Cited**

U.S. PATENT DOCUMENTS

D527,182 S *	8/2006	Ham	D3/274
D775,818 S	1/2017	Ingraham		
D806,388 S	1/2018	Akana et al.		
D838,480 S	1/2019	Son et al.		
D839,583 S *	2/2019	Cao	D3/201
D846,264 S *	4/2019	Wu	D3/201
D851,913 S	6/2019	Yu		
D864,110 S *	10/2019	Yoshimura	D13/108
D873,217 S	1/2020	Zhang		

D878,048 S	3/2020	Wang et al.		
D881,572 S	4/2020	Wang et al.		
D882,262 S	4/2020	Zhang		
D890,725 S *	7/2020	Liu	D14/223
D891,773 S *	8/2020	Meyer	D3/294
D900,333 S *	10/2020	Xie	D24/217
D902,589 S *	11/2020	Li	D3/295
D902,854 S *	11/2020	Feng	D13/108
D906,238 S *	12/2020	Zhang	D13/108

* cited by examiner

Primary Examiner — Holly E Thurman

(74) *Attorney, Agent, or Firm* — Law Offices of Steven W. Weinrieb

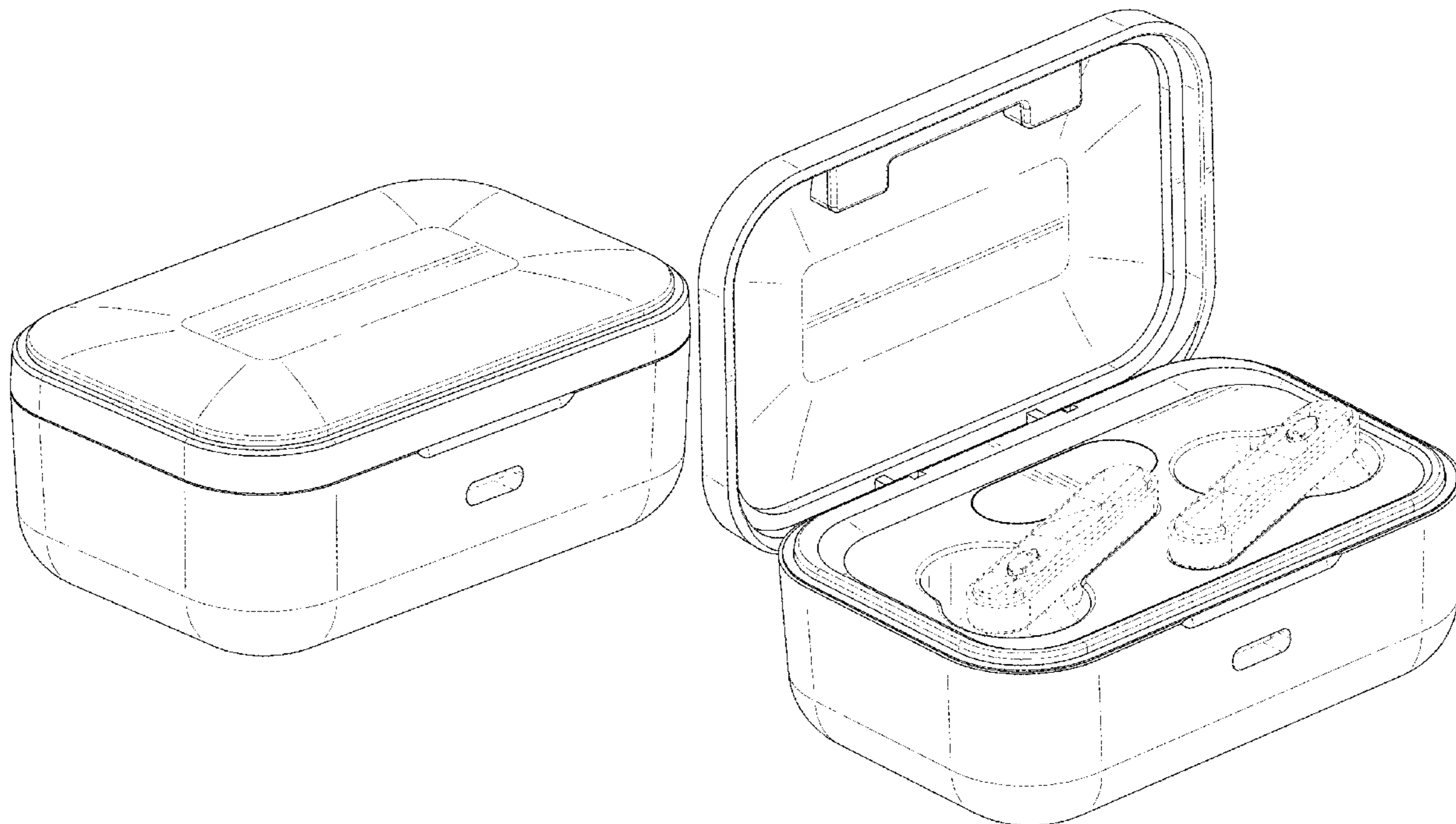
(57) **CLAIM**

The ornamental design for an earphone box, as shown and described.

DESCRIPTION

FIG. 1 is a front, left side, top perspective view of an earphone box showing my new design; FIG. 2 is a front elevational view thereof; FIG. 3 is a rear elevational view thereof; FIG. 4 is a left side elevational view thereof; FIG. 5 is a right side elevational view thereof; FIG. 6 is a top plan view thereof; FIG. 7 is a bottom plan view thereof; and, FIG. 8 is a front, left side, top perspective view of the earphone box shown in its open position so as to illustrate how the earphone box stores a pair of earphones. The broken lines depict portions of the earphone box that form no part of the claimed design.

1 Claim, 8 Drawing Sheets



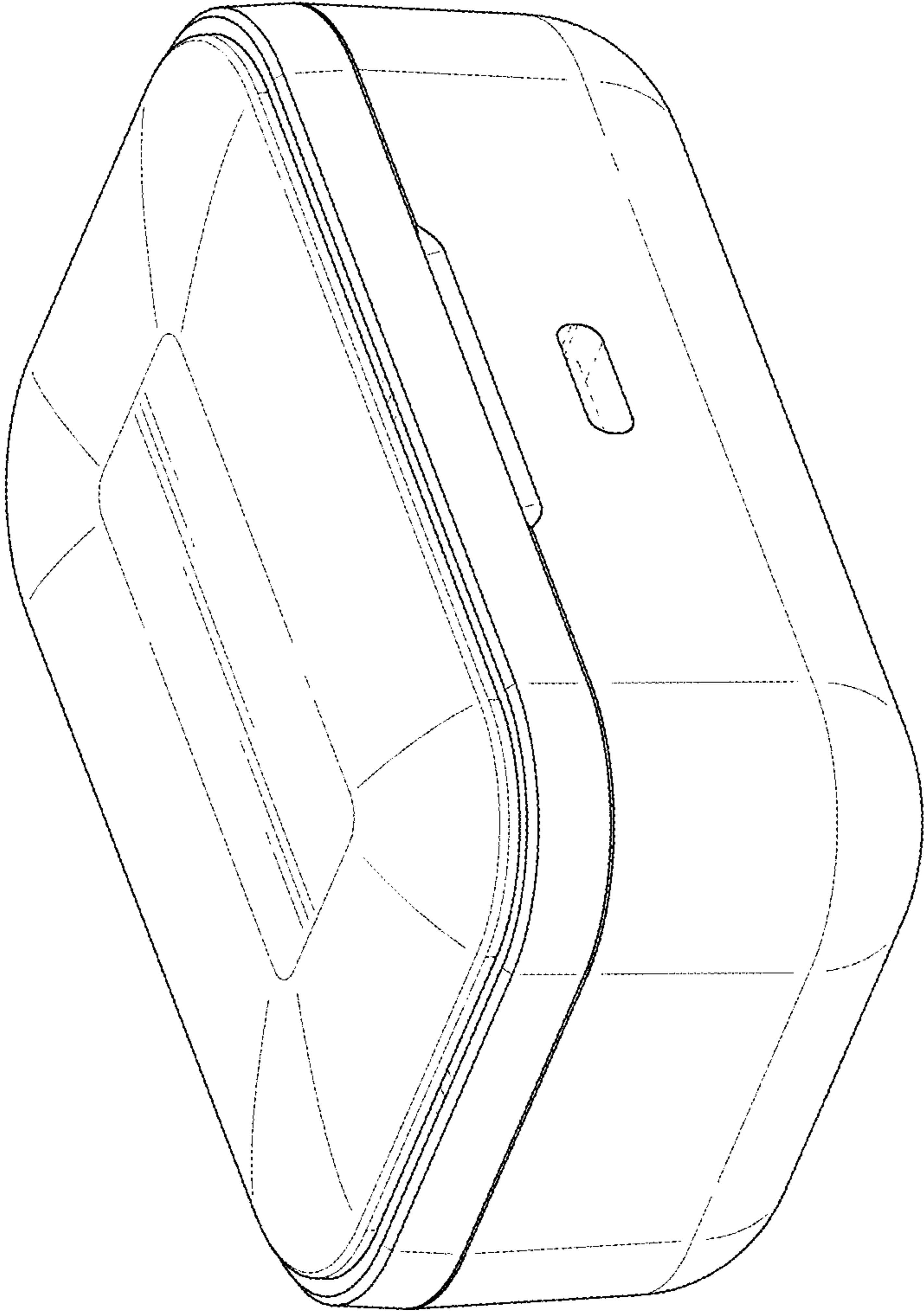


FIG.1

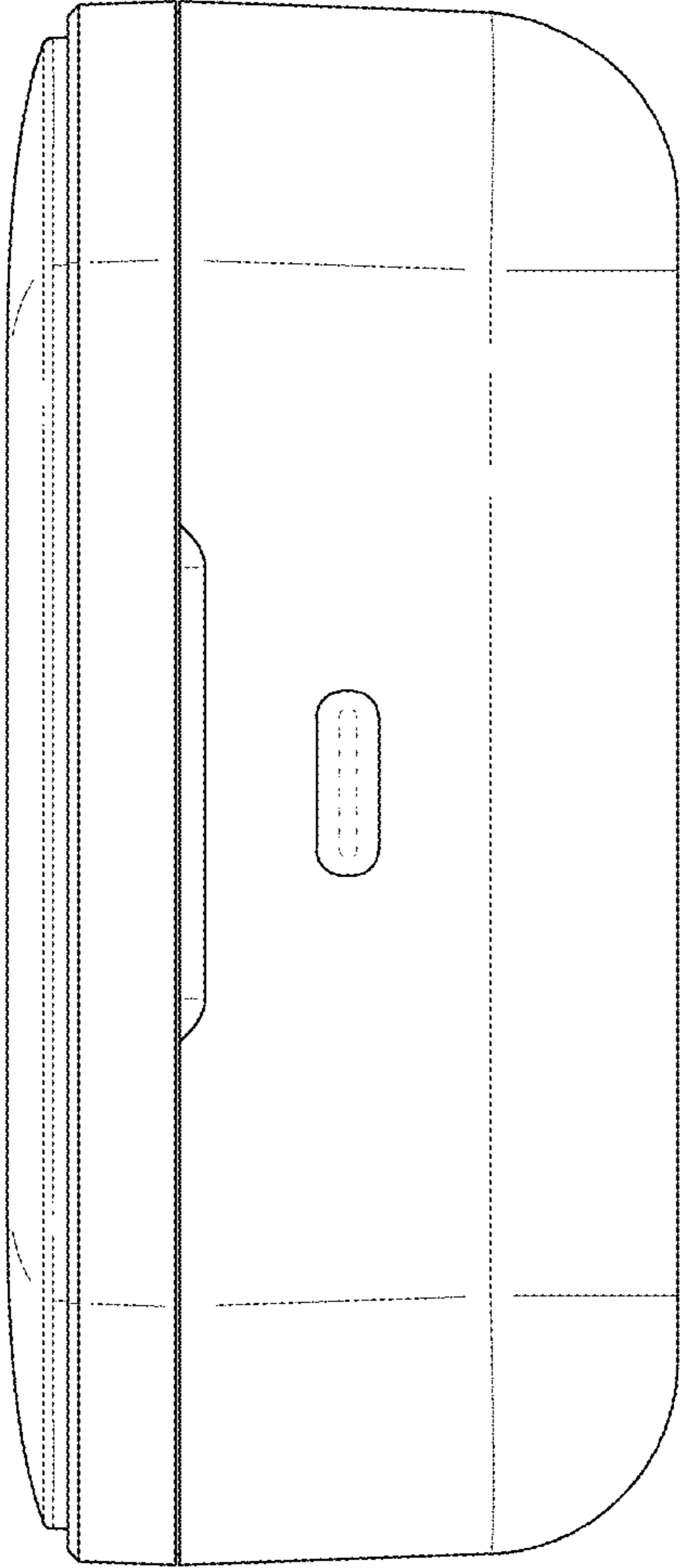


FIG.2

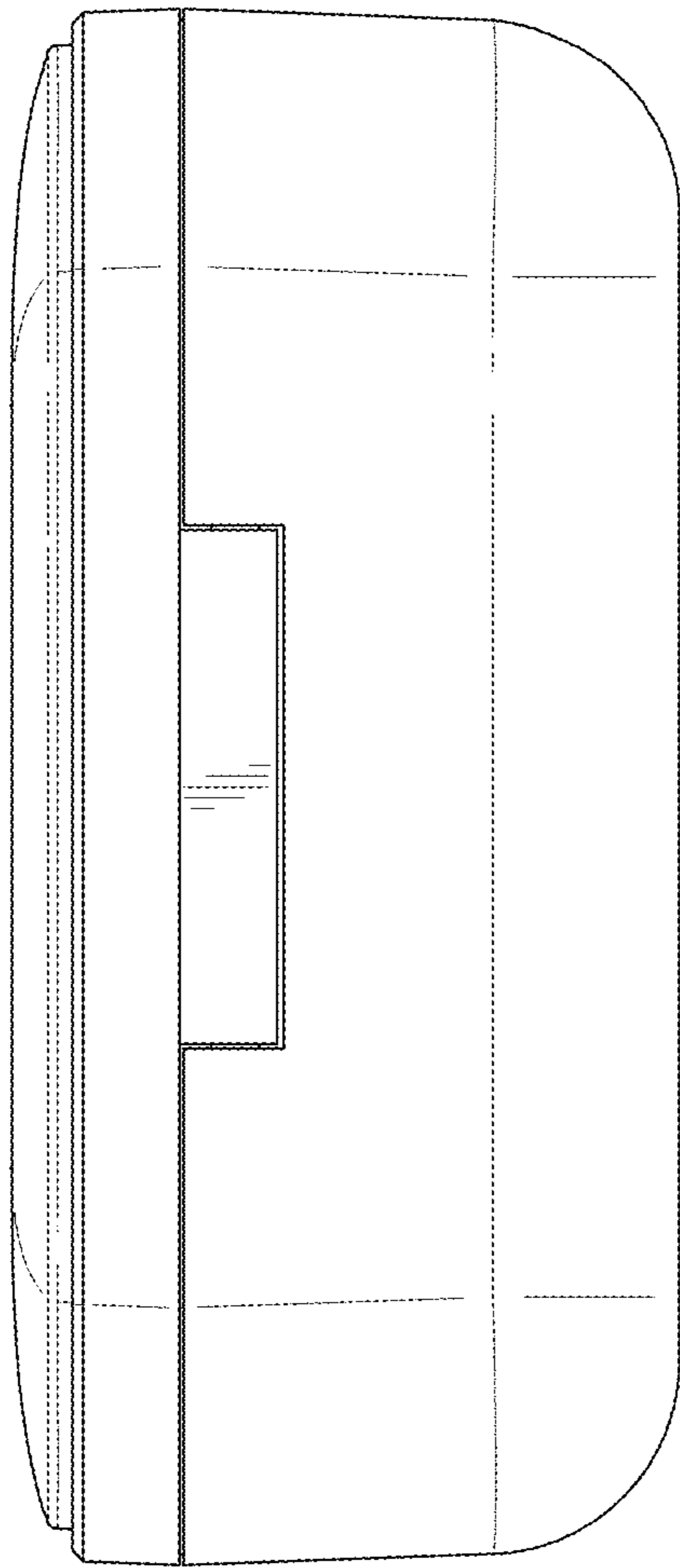


FIG.3

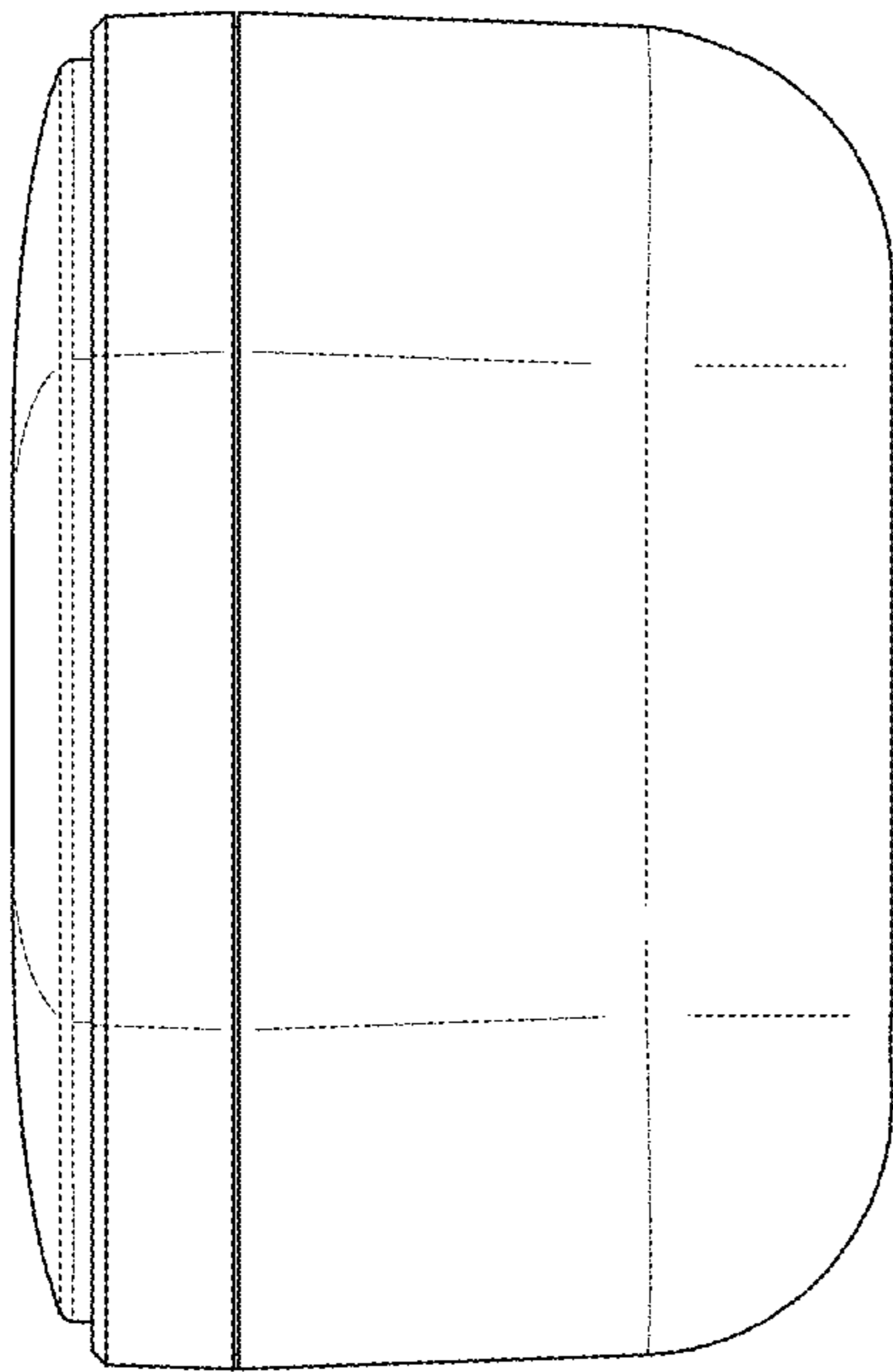


FIG.4

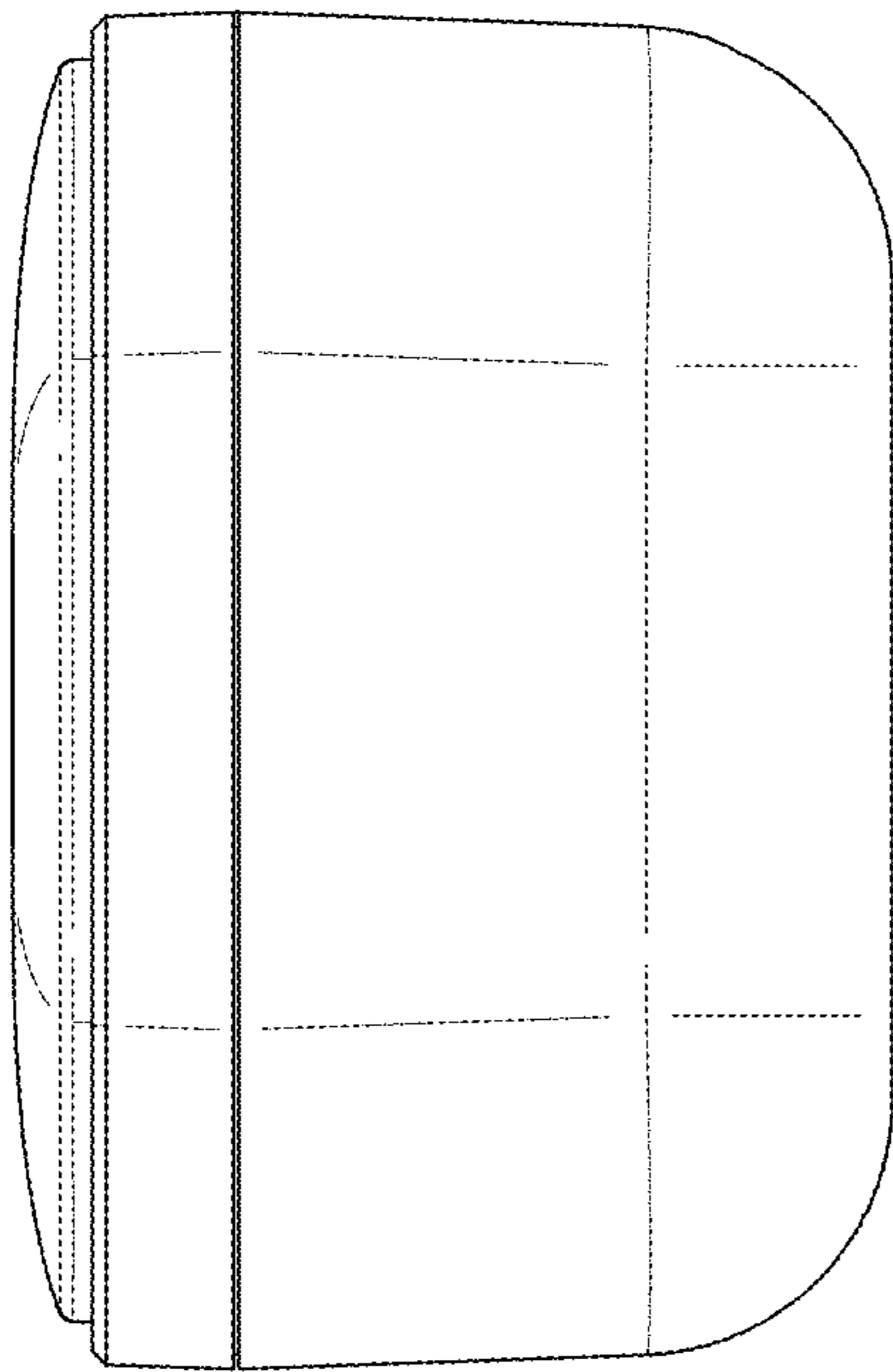


FIG. 5

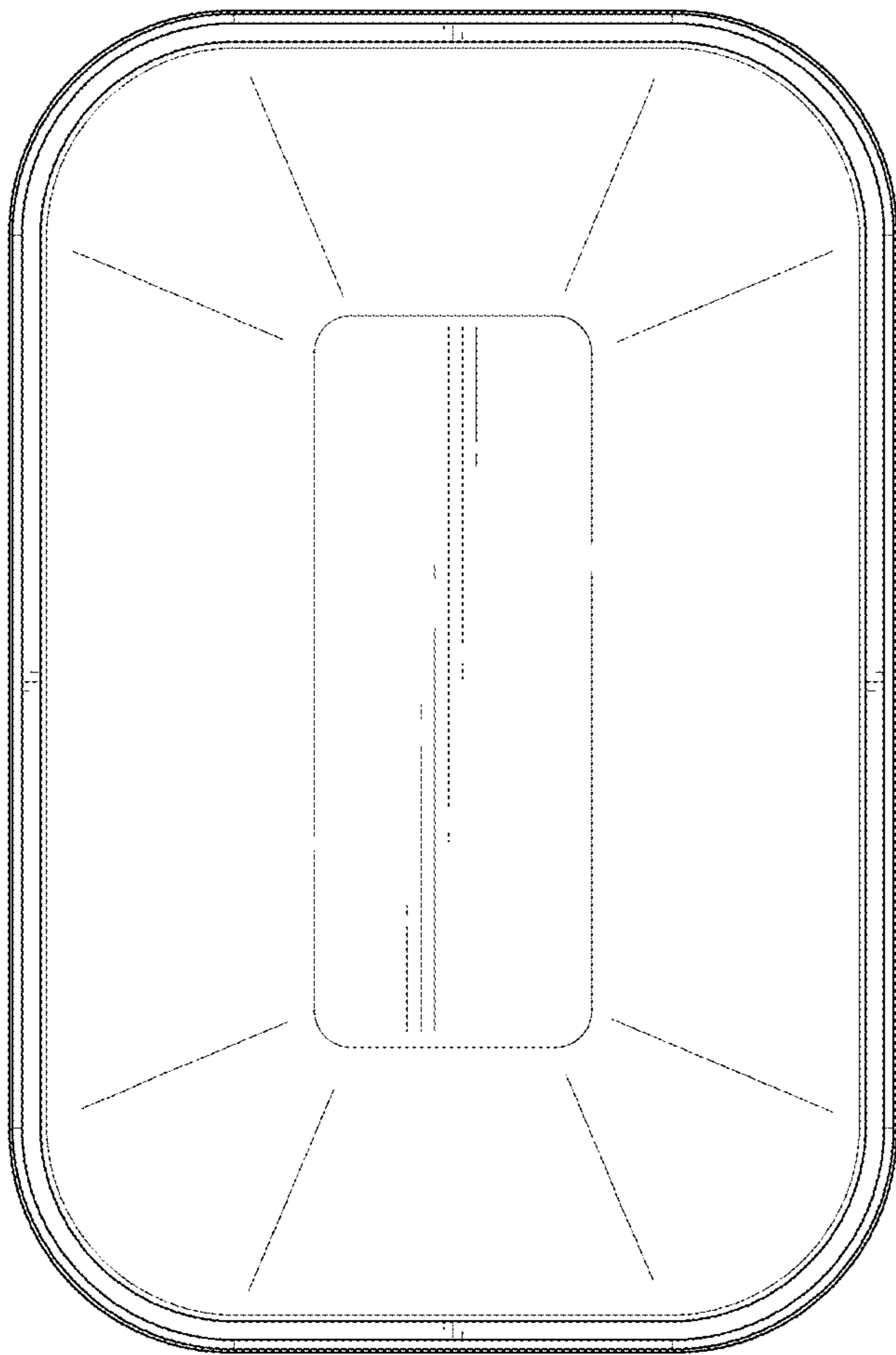


FIG.6

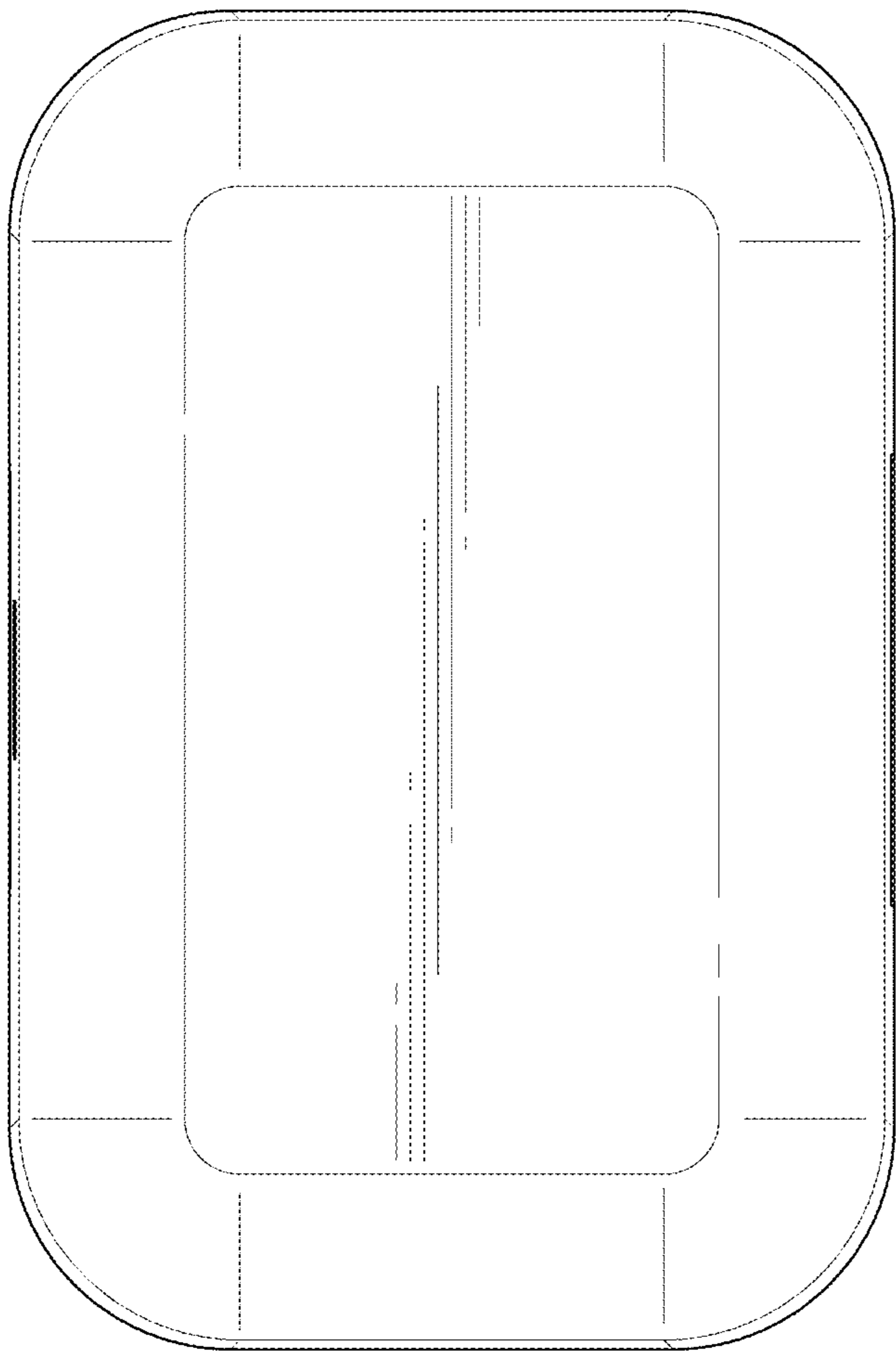


FIG. 7

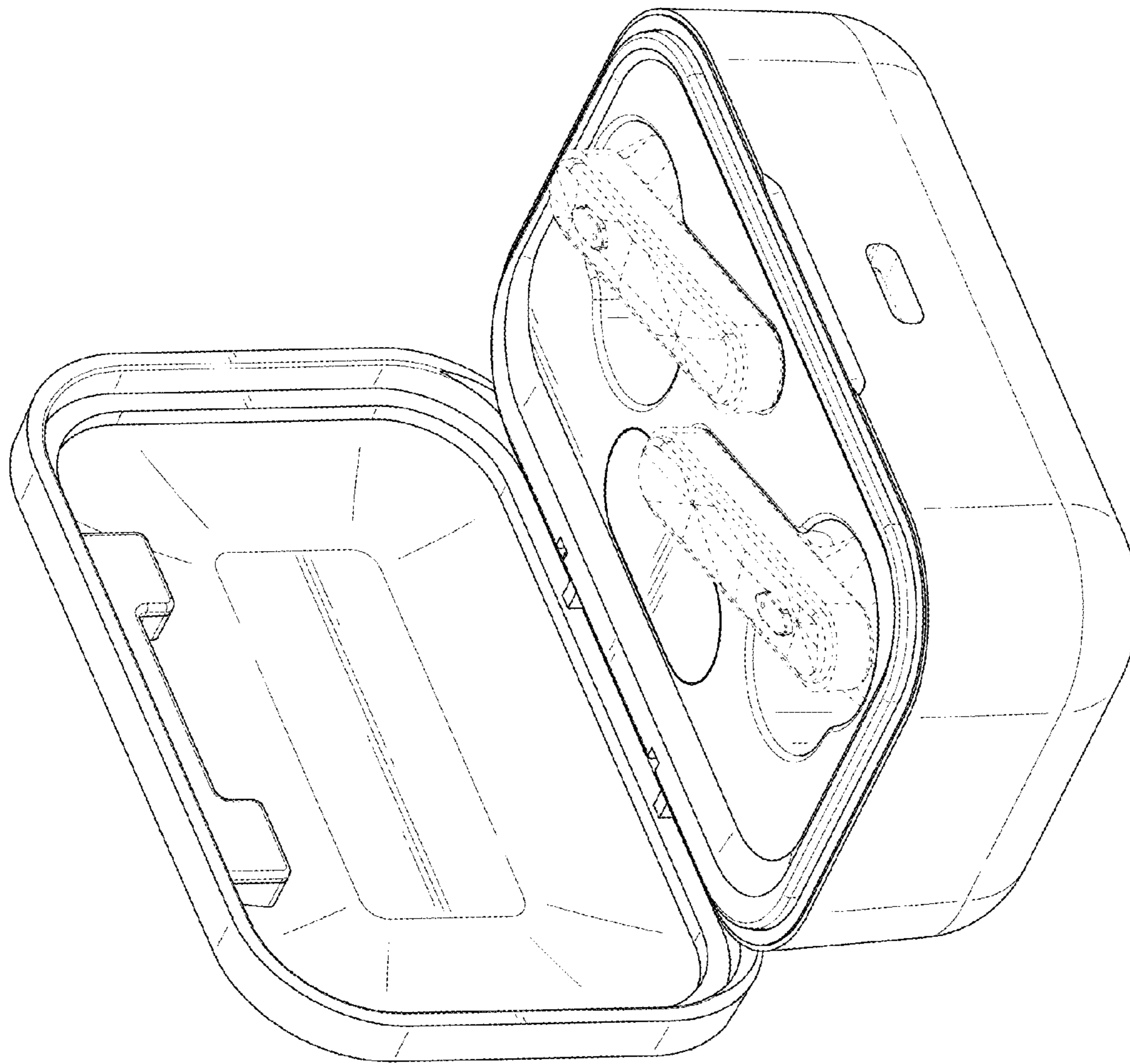


FIG.8