



US00D919287S

(12) **United States Design Patent** (10) **Patent No.:** **US D919,287 S**  
**He** (45) **Date of Patent:** **\*\* May 18, 2021**

(54) **BACKPACK**

(71) Applicant: **Aixia He**, Dengzhou (CN)

(72) Inventor: **Aixia He**, Dengzhou (CN)

(\*\*) Term: **15 Years**

(21) Appl. No.: **29/759,983**

(22) Filed: **Nov. 27, 2020**

(51) **LOC (13) Cl.** ..... **03-01**

(52) **U.S. Cl.**  
USPC ..... **D3/217**

(58) **Field of Classification Search**

USPC ..... D3/216, 217, 260, 214; D30/109  
CPC ..... A45F 3/04; A45F 2003/003; A45F 4/02;  
A45F 5/021; Y10S 224/92; Y10S 16/40;  
Y10S 224/922; Y10S 383/907; A01K  
97/06; A45C 11/20; A45C 5/06; A45C  
11/02; A45C 13/02; A45C 13/08; A45C  
3/00; A45C 7/0063

See application file for complete search history.

(56) **References Cited**

U.S. PATENT DOCUMENTS

D746,049 S \* 12/2015 Zwetzig ..... D3/217  
D772,560 S 11/2016 Kemp et al.

D794,947 S 8/2017 Gavriel et al.  
D798,043 S \* 9/2017 Sassi ..... D3/217  
D805,761 S \* 12/2017 Garcia ..... D3/216  
D810,424 S \* 2/2018 Tobias ..... D3/217  
D912,976 S \* 3/2021 Breines ..... D3/217  
2003/0024960 A1\* 2/2003 Greenstein ..... A45F 3/047  
224/153

\* cited by examiner

*Primary Examiner* — Jennifer L Watkins

(57) **CLAIM**

The ornamental design for a backpack, as shown and described.

**DESCRIPTION**

FIG. 1 is a perspective view of a backpack showing my new design;  
FIG. 2 is another perspective view thereof;  
FIG. 3 is a front elevational view thereof;  
FIG. 4 is a rear elevational view thereof;  
FIG. 5 is a left side elevational view thereof;  
FIG. 6 is a right side elevational view thereof;  
FIG. 7 is a top plan view thereof; and,  
FIG. 8 is a bottom plan view thereof.  
The broken lines in the drawings depict portions of the backpack that form no part of the claimed design.

**1 Claim, 8 Drawing Sheets**





FIG. 1



FIG. 2

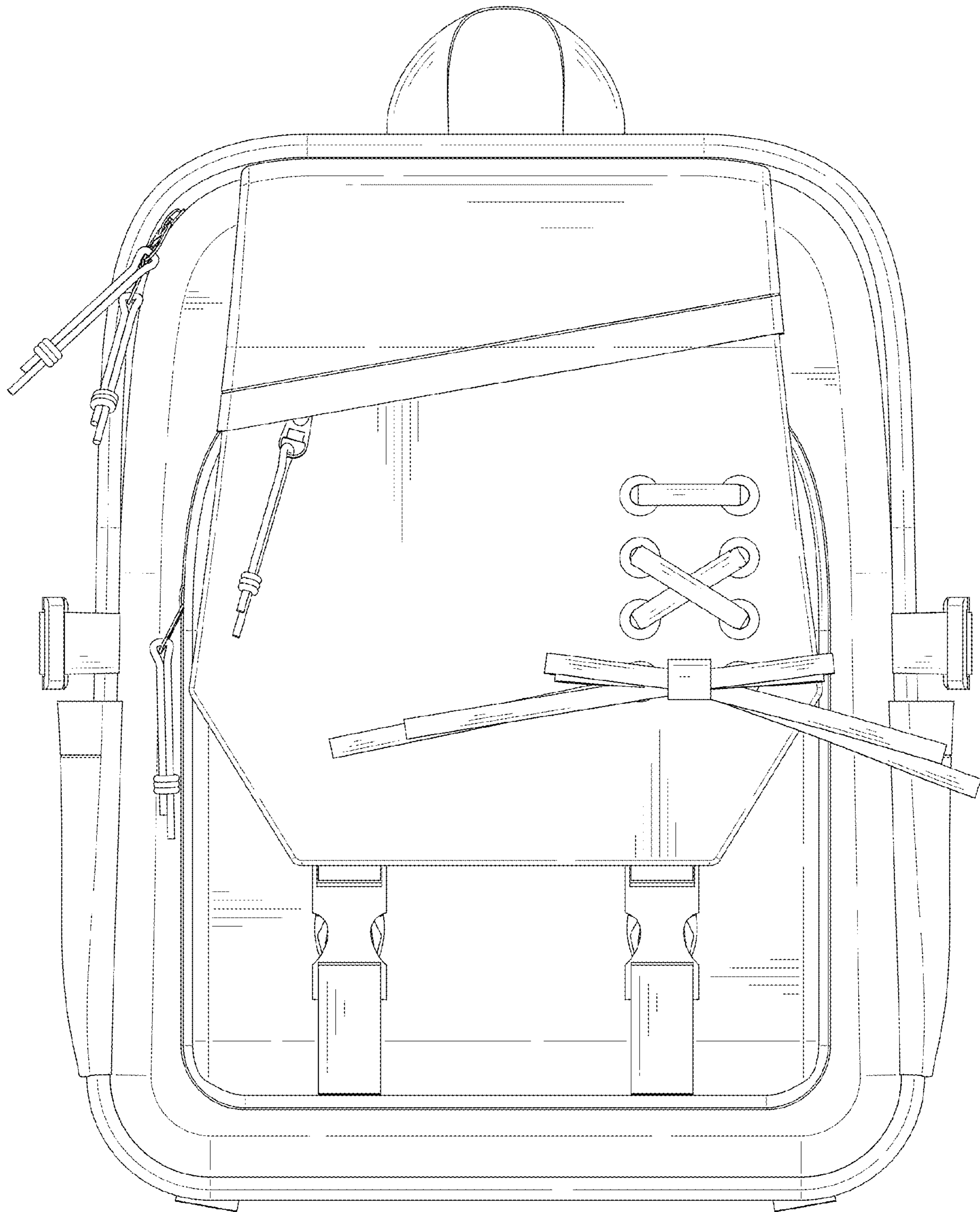


FIG. 3

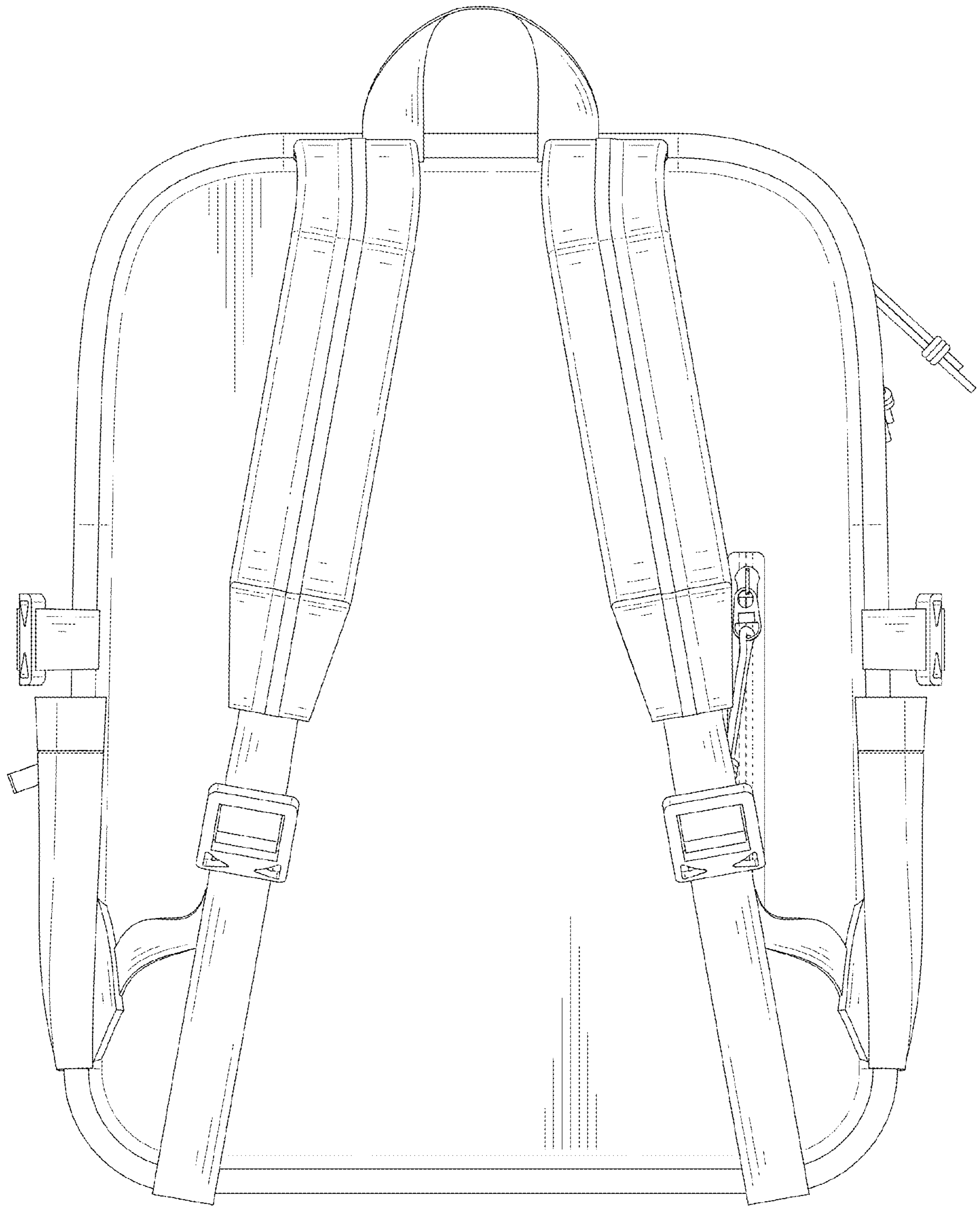


FIG. 4

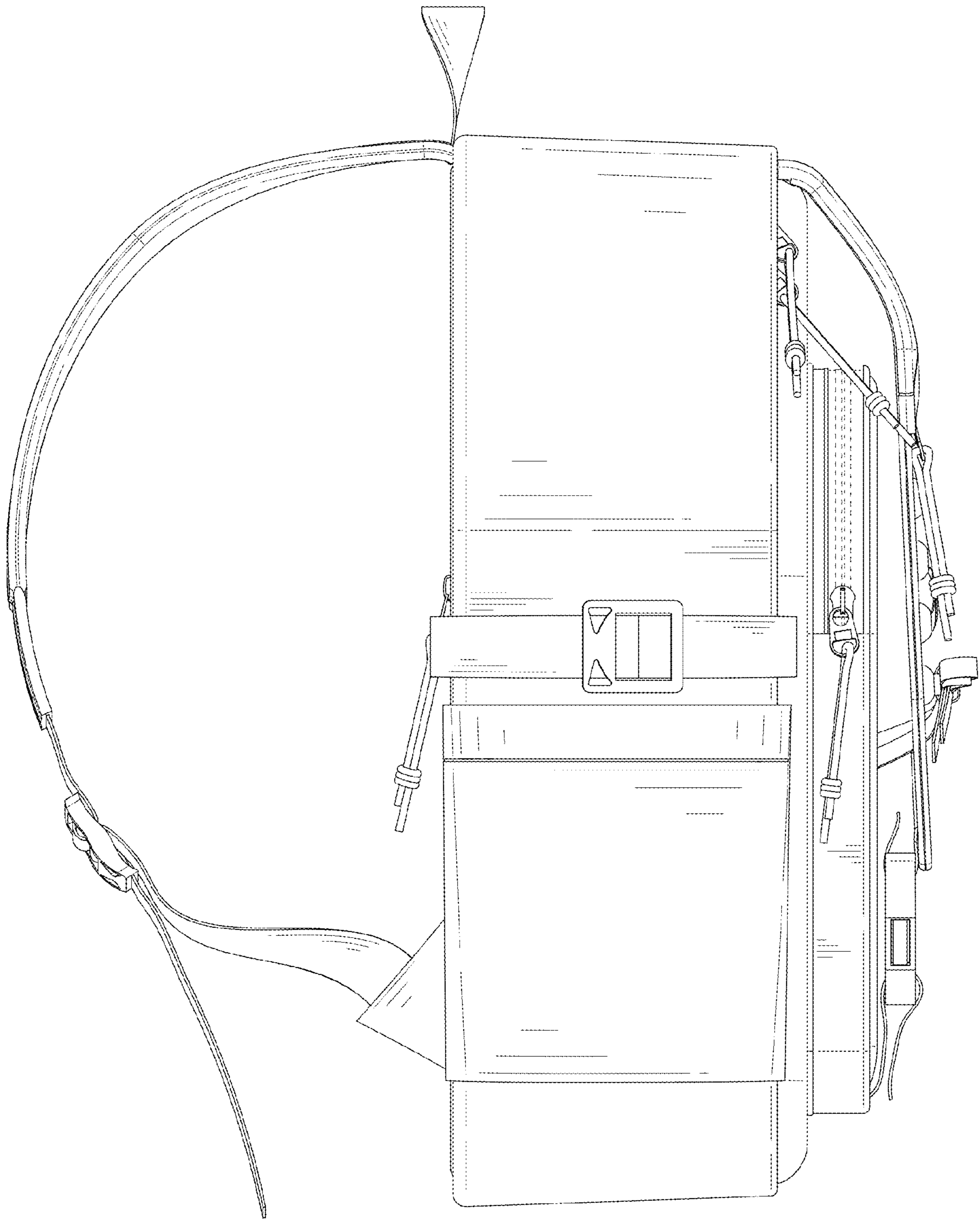


FIG. 5

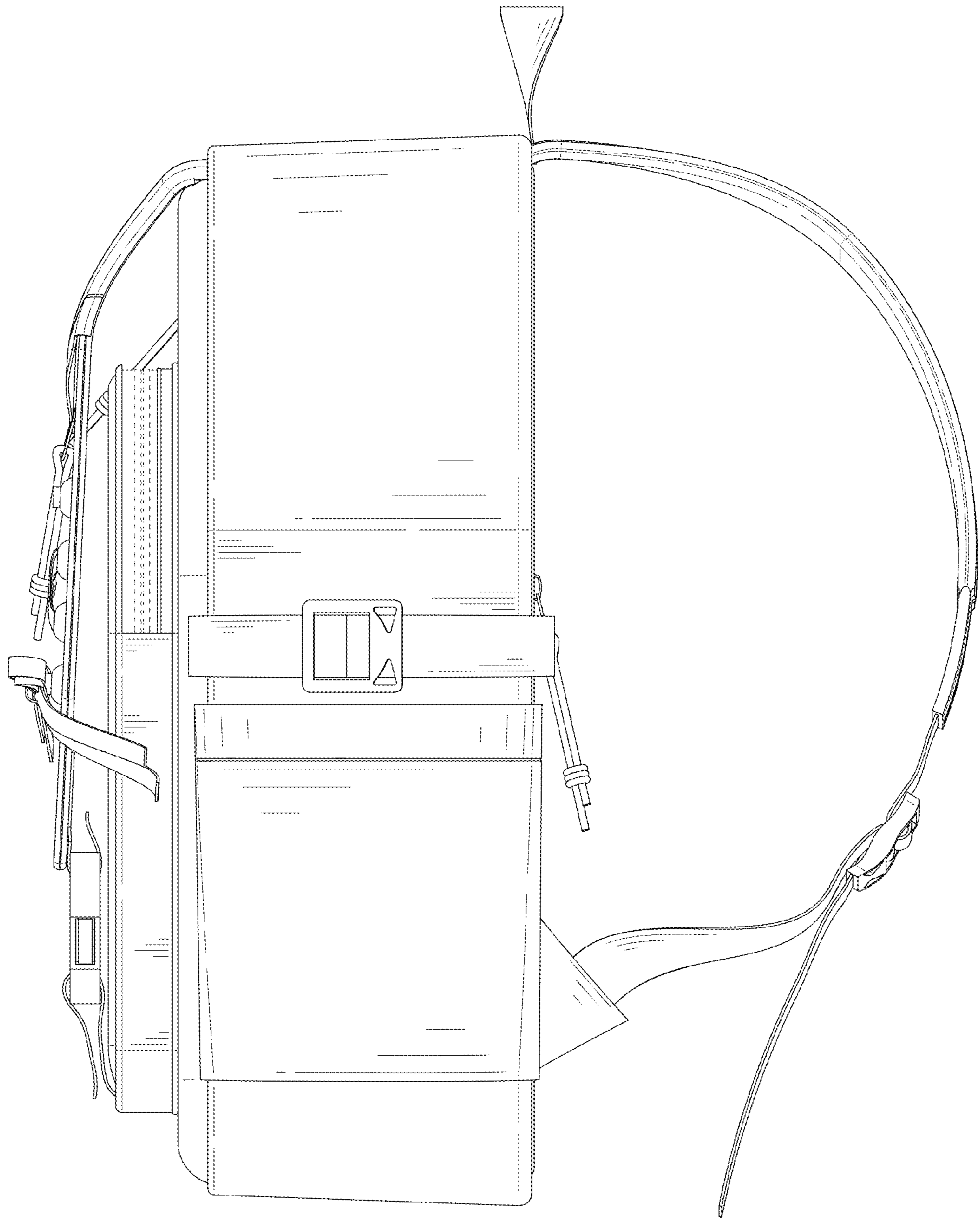


FIG. 6



FIG. 7



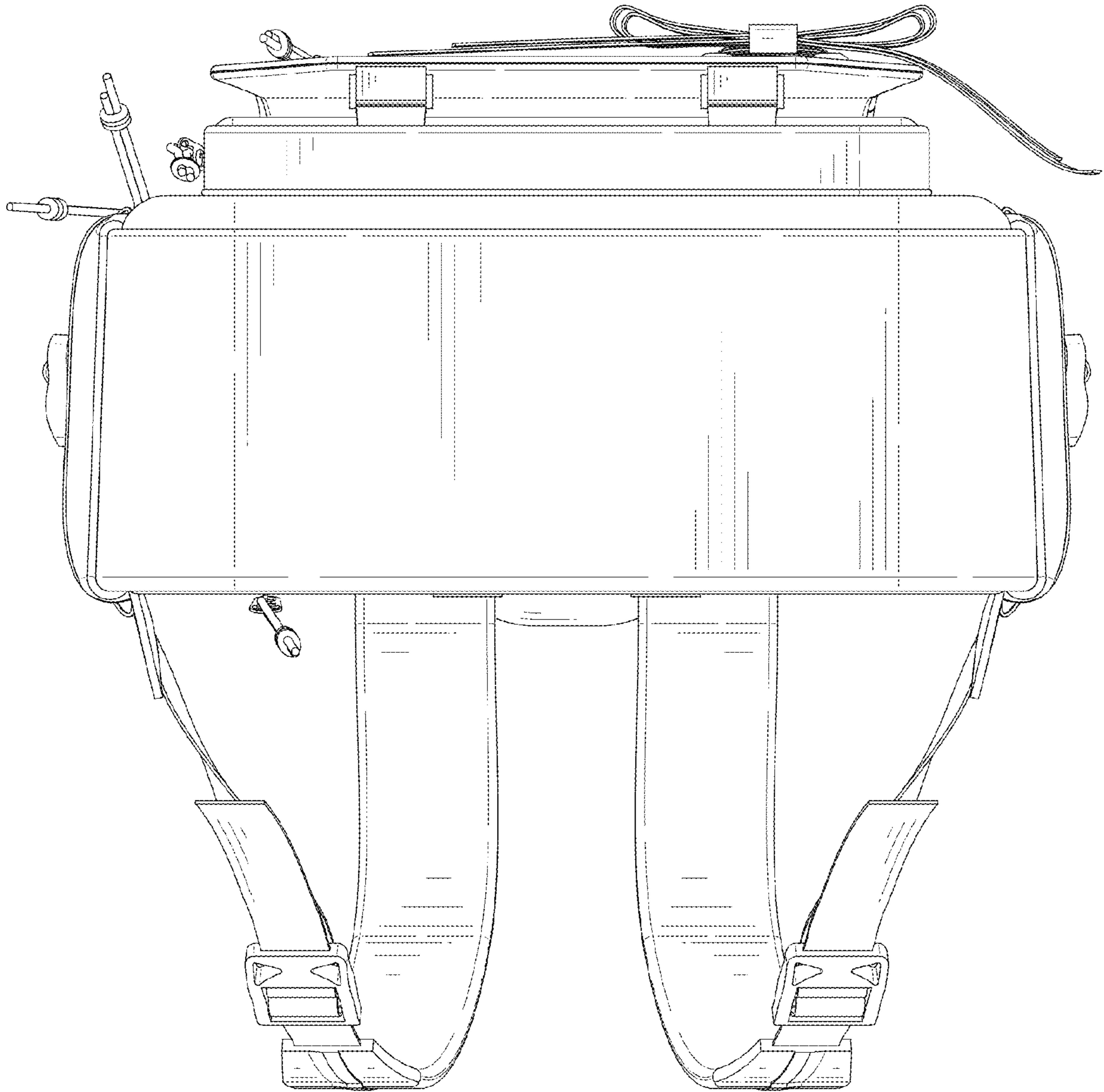


FIG. 8