



US00D919285S

(12) **United States Design Patent** (10) **Patent No.:** **US D919,285 S**
Penaflo (45) **Date of Patent:** **** May 18, 2021**

- (54) **POCKET UTILITY CASE AND TRAVEL TOOL**
- (71) Applicant: **Ronaldo Green Penaflo**, Fallbrook, CA (US)
- (72) Inventor: **Ronaldo Green Penaflo**, Fallbrook, CA (US)
- (73) Assignee: **iP TECH PROS Inc.**, San Diego, CA (US)

3,690,331 A *	9/1972	Messer	A45D 24/16	132/120
D305,781 S *	1/1990	Ukisu	21/483	
D312,325 S *	11/1990	Brinker	D28/25	
D378,016 S *	2/1997	Armbruster	D3/205	
D508,299 S *	8/2005	Dunn	30/158	
D746,582 S *	1/2016	Saiz De Soto	D3/205	
D838,411 S *	1/2019	Floyd	D28/73	
D866,164 S *	11/2019	Chen	D3/205	
D887,704 S *	6/2020	Penaflo	D3/205	
2009/0265860 A1 *	10/2009	Barber	B25G 1/085	7/167
2011/0005963 A1 *	1/2011	Mapalo	A01K 13/001	206/581

(**) Term: **15 Years**

(21) Appl. No.: **29/735,171**

(22) Filed: **May 19, 2020**

Related U.S. Application Data

(63) Continuation-in-part of application No. 29/680,665, filed on Feb. 19, 2019, now Pat. No. Des. 887,704, which is a continuation of application No. 16/278,715, filed on Feb. 19, 2019.

(51) **LOC (13) Cl.** **03-03**

(52) **U.S. Cl.**
USPC **D3/205; D3/315**

(58) **Field of Classification Search**
USPC D3/205, 315; D28/9
CPC A45C 11/00; A45C 11/008; A45C 11/26;
A45C 2011/007; A45C 9/00; A45D 44/18
See application file for complete search history.

(56) **References Cited**

U.S. PATENT DOCUMENTS

2,338,836 A * 1/1944 Chrisman A45D 24/16
132/121

* cited by examiner

Primary Examiner — Charles D Hanson

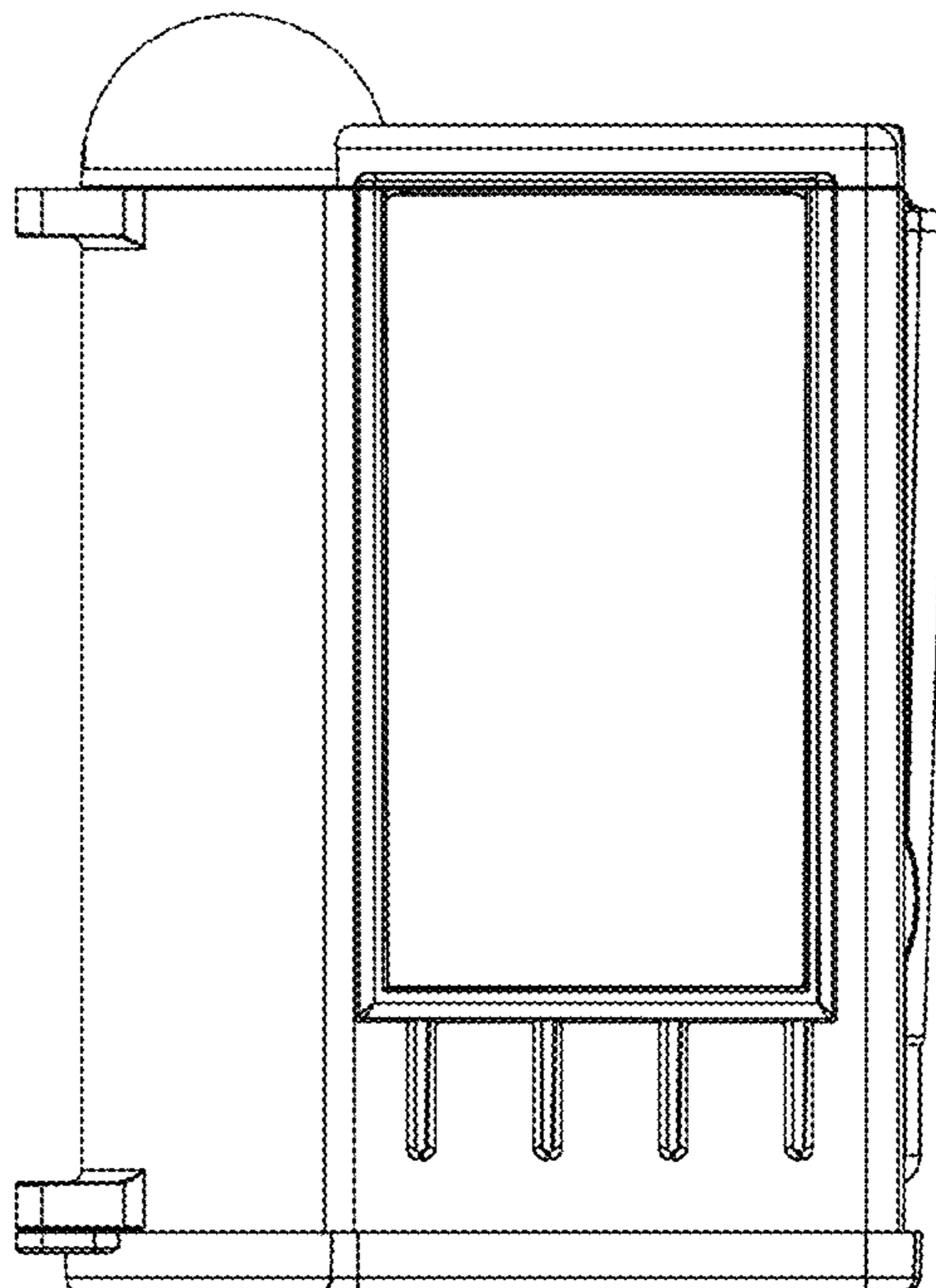
(57) **CLAIM**

The ornamental design for a pocket utility case and travel tool, as shown and described.

DESCRIPTION

FIG. 1 is a front view of a pocket utility case and travel tool;
FIG. 2 is a back view thereof;
FIG. 3 is one side view thereof;
FIG. 4 is the opposite side view thereof;
FIG. 5 is a top view thereof;
FIG. 6 is a bottom view thereof;
FIG. 7 is a front perspective view thereof; and,
FIG. 8 is a top perspective view thereof.

1 Claim, 8 Drawing Sheets



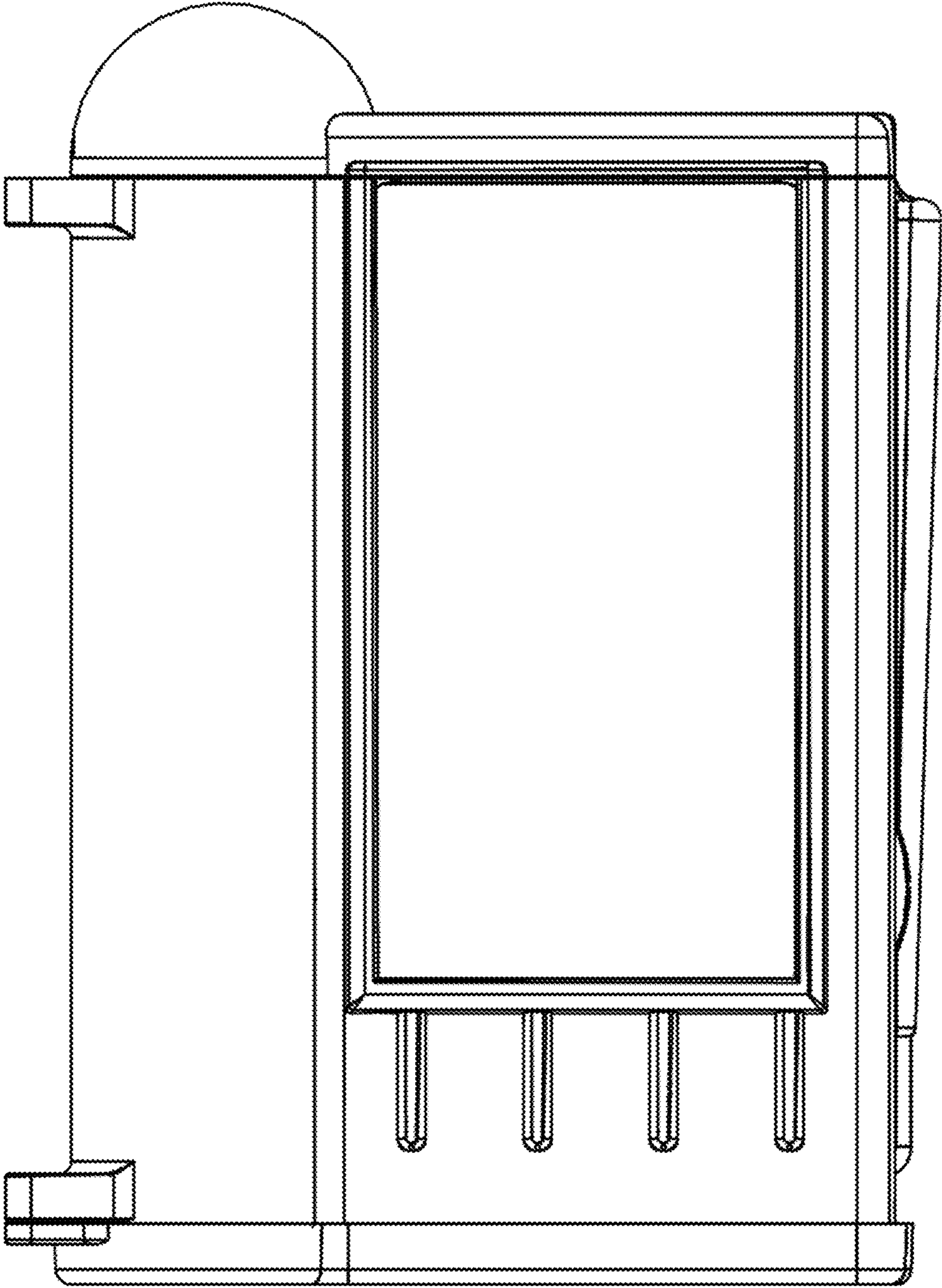


FIG. 1

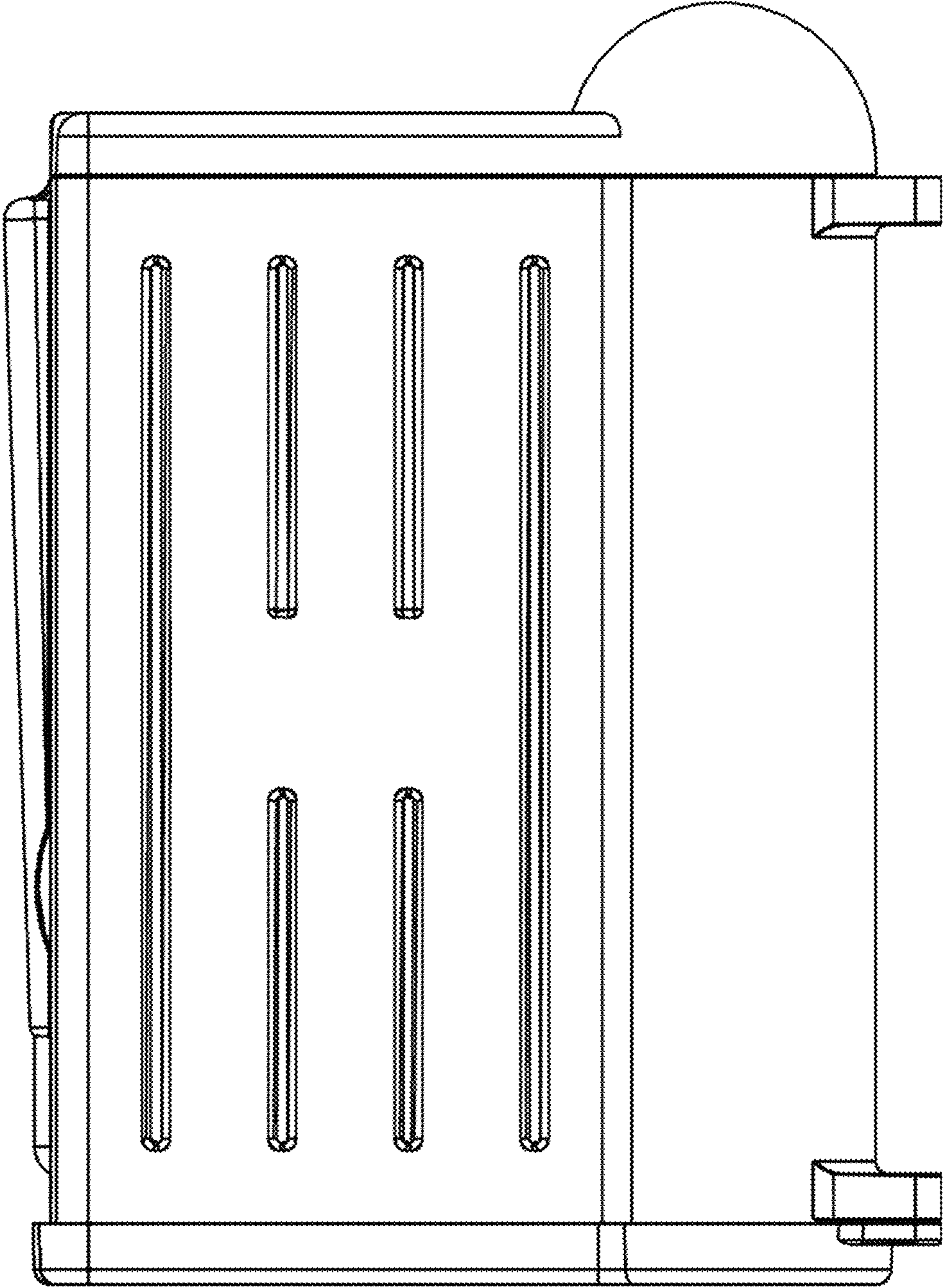


FIG. 2

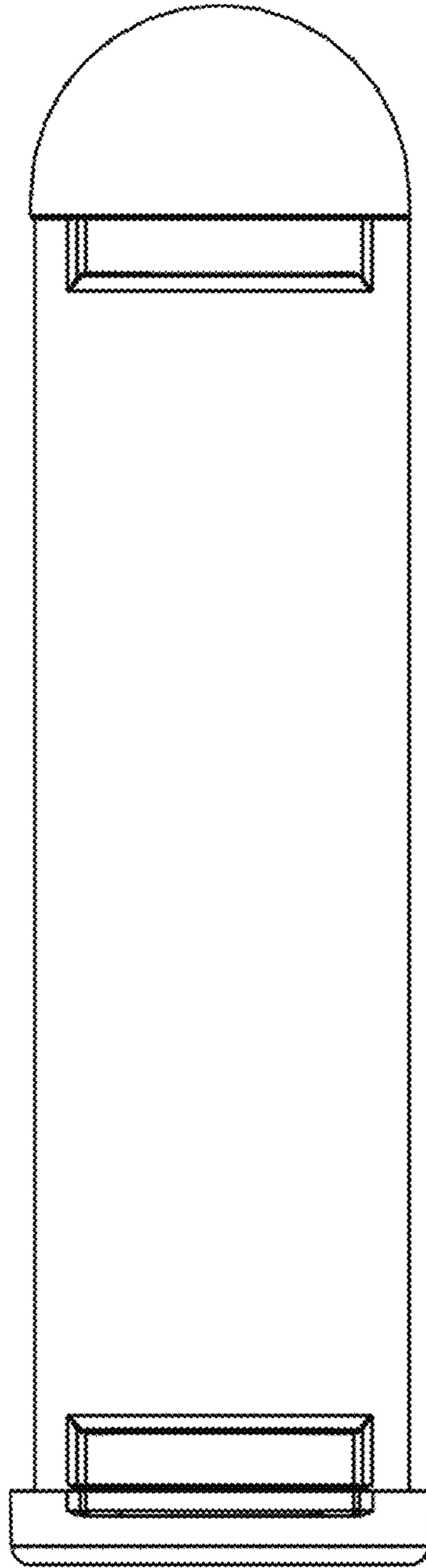


FIG. 3

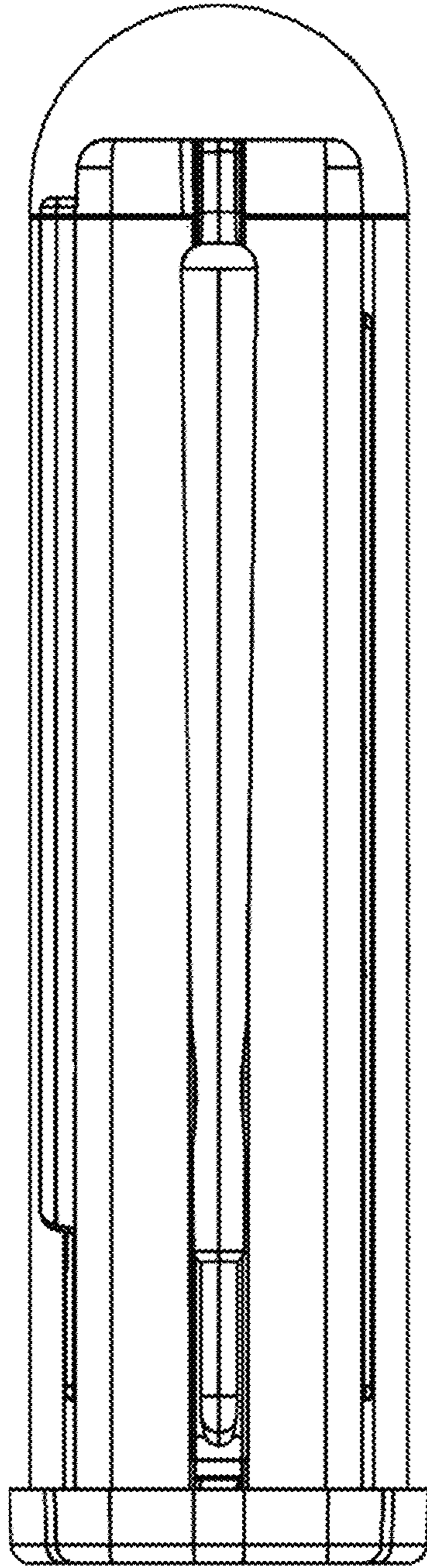


FIG. 4

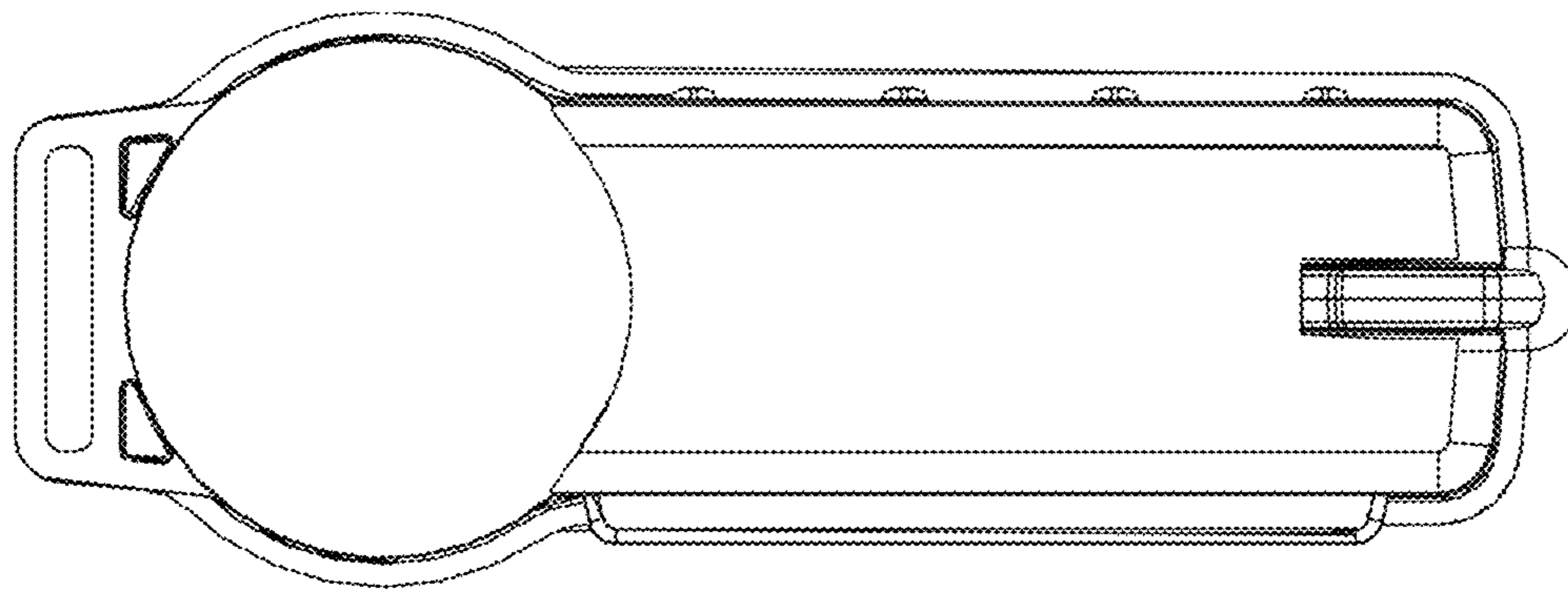


FIG. 5

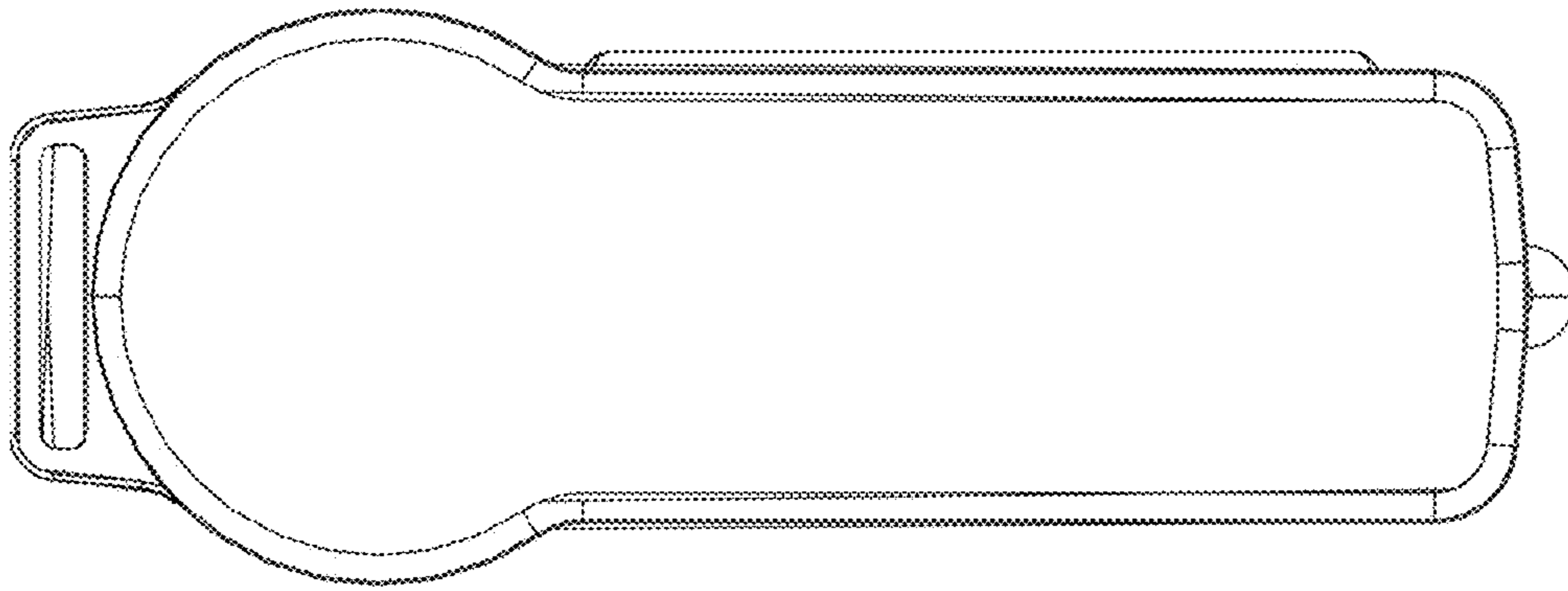


FIG. 6

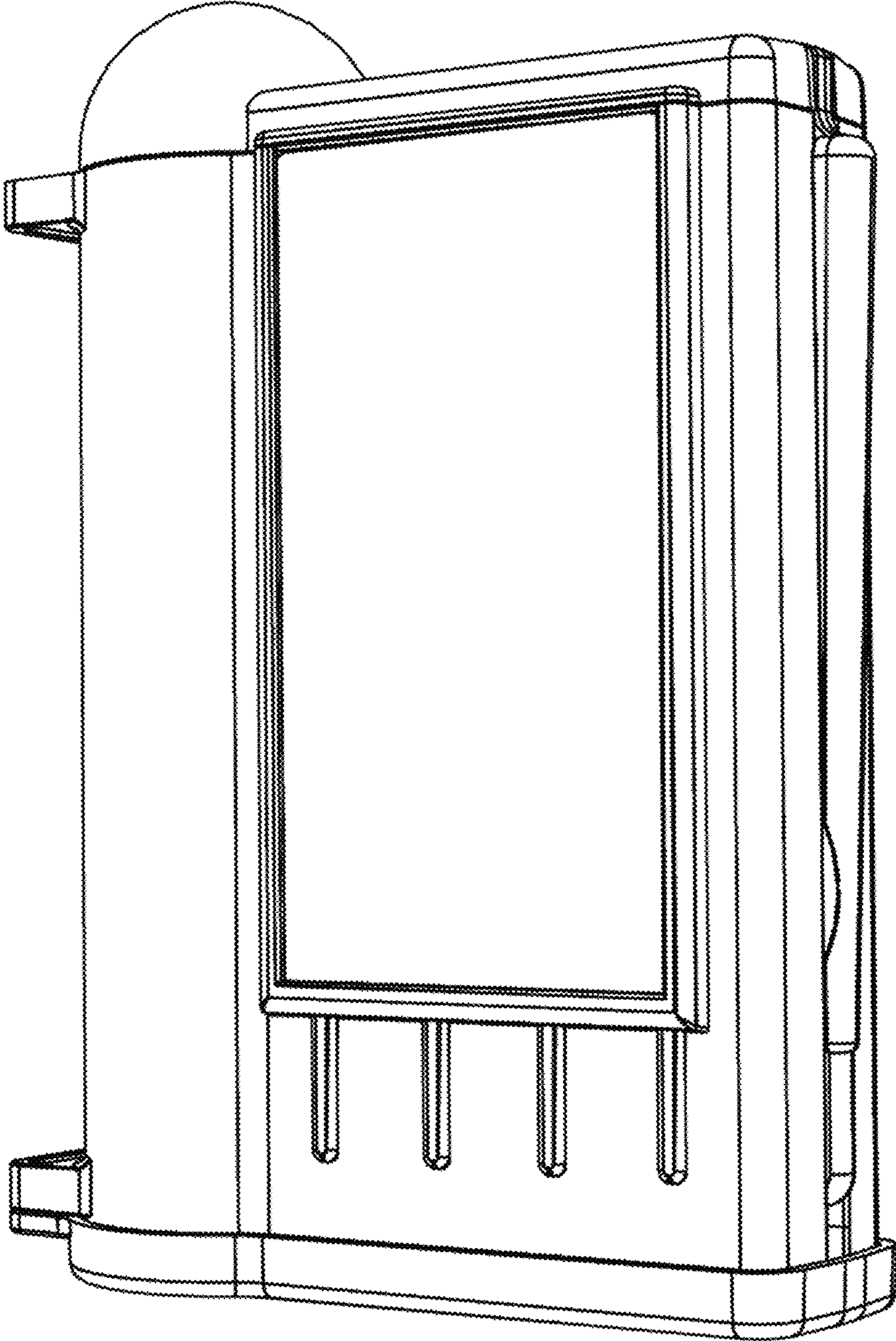


FIG. 7

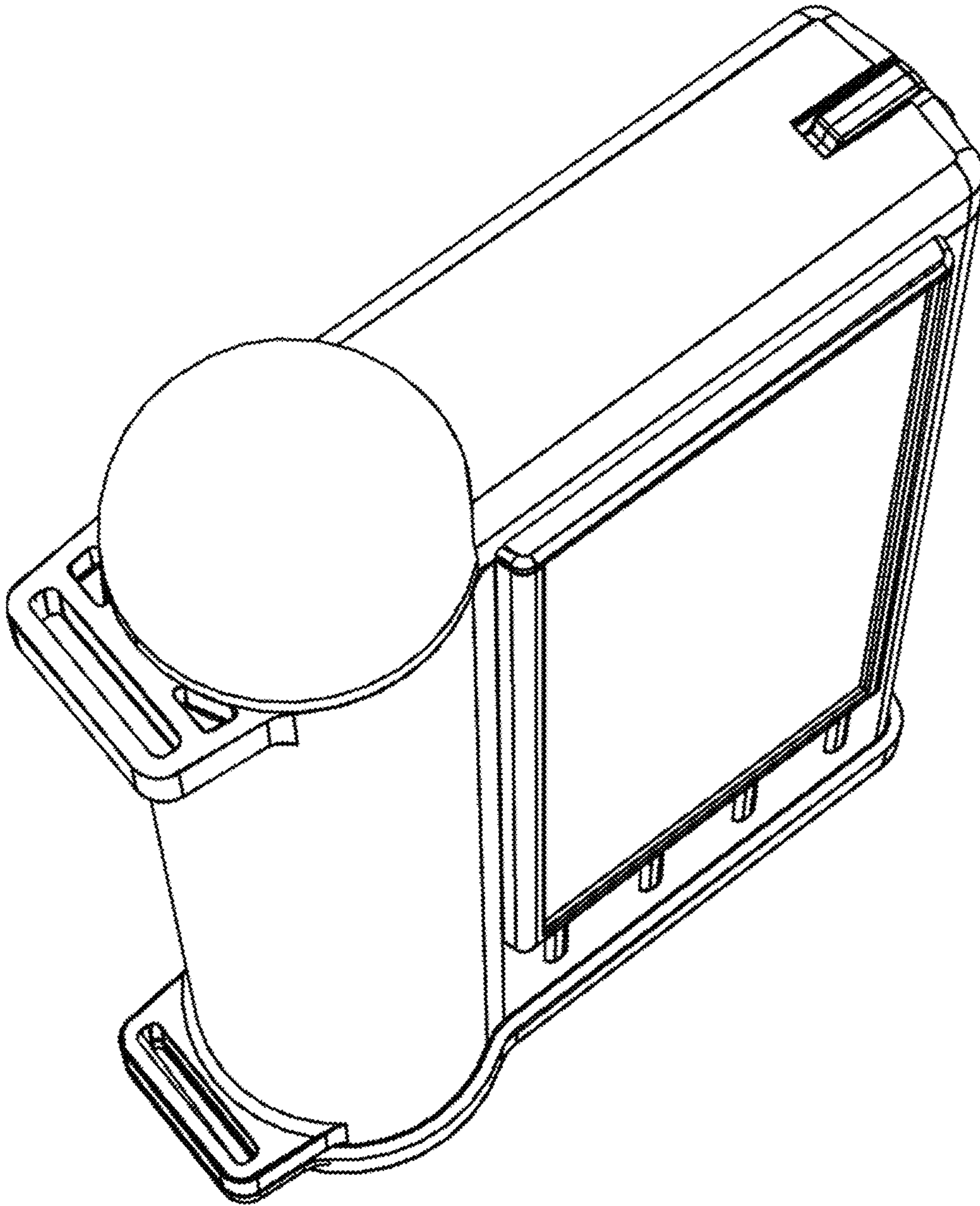


FIG. 8