



US00D919284S

(12) **United States Design Patent** (10) **Patent No.:** **US D919,284 S**
Cui (45) **Date of Patent:** **** May 18, 2021**

- (54) **CARRY CASE FOR PERCUSSION QUARTZ CRUCIBLE**
- (71) Applicant: **Xiaoxia Cui**, Dalian (CN)
- (72) Inventor: **Xiaoxia Cui**, Dalian (CN)
- (**) Term: **15 Years**
- (21) Appl. No.: **29/749,565**
- (22) Filed: **Sep. 7, 2020**
- (51) **LOC (13) Cl.** **03-01**
- (52) **U.S. Cl.**
USPC **D3/204**
- (58) **Field of Classification Search**
USPC D3/201, 204, 273, 274, 276, 232, 269,
D3/294, 903; D9/414
CPC G10G 7/00; G10G 7/005
See application file for complete search history.

D677,889	S	*	3/2013	Shyr	D3/271.9
D700,432	S	*	3/2014	Music	D3/204
D781,051	S	*	3/2017	Leopardi	D3/232
D814,791	S	*	4/2018	Zhang	D3/294
D840,149	S	*	2/2019	Lemaire	D3/240
D847,490	S	*	5/2019	Pernefeldt	D3/204
D847,491	S	*	5/2019	Pernefeldt	D3/204
D847,492	S	*	5/2019	Pernefeldt	D3/204
D847,493	S	*	5/2019	Pernefeldt	D3/204
D848,142	S	*	5/2019	Pernefeldt	D3/204
D866,173	S	*	11/2019	Savoulidis	D3/245
D887,130	S	*	6/2020	Pham	D3/232
D891,083	S	*	7/2020	Baldemor	D3/204
2003/0136243	A1	*	7/2003	Bourgoin	G10G 7/005 84/411 R

* cited by examiner

Primary Examiner — Mitchell I. Siegel

(57) **CLAIM**

The ornamental design for a carry case for percussion quartz crucible, as shown and described.

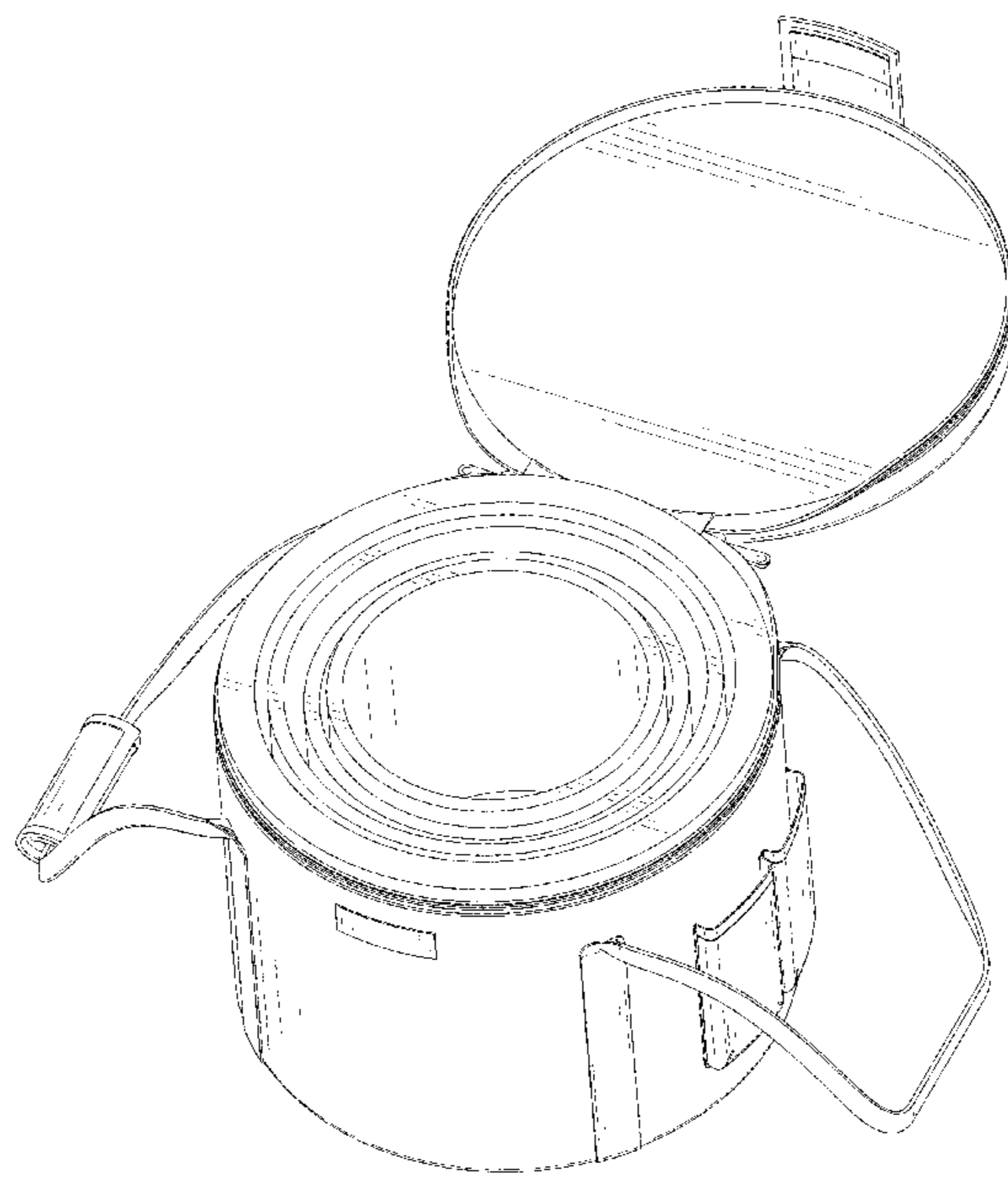
DESCRIPTION

FIG. 1 is a perspective view of a carry case for percussion quartz crucible showing my new design;
 FIG. 2 is another perspective view thereof;
 FIG. 3 is a front elevational view thereof;
 FIG. 4 is a rear elevational view thereof;
 FIG. 5 is a left side elevational view thereof;
 FIG. 6 is a right side elevational view thereof;
 FIG. 7 is a top plan view thereof;
 FIG. 8 is a bottom plan view thereof;
 FIG. 9 is an exploded perspective view of the carry case for percussion quartz crucible; and,
 FIG. 10 is a perspective view of the carry case for percussion quartz crucible where the carry case for percussion quartz crucible is in a close state.

1 Claim, 10 Drawing Sheets

(56) **References Cited**
U.S. PATENT DOCUMENTS

D17,147	S	*	3/1887	Foote et al.	D3/204
1,743,838	A	*	1/1930	Walinsky	A45C 11/02 206/289
D247,195	S	*	2/1978	Mikosz	D3/204
D247,196	S	*	2/1978	Mikosz	D3/204
D247,197	S	*	2/1978	Mikosz	D3/204
D281,289	S	*	11/1985	Graham	D3/204
D414,082	S	*	9/1999	Keene	D7/607
D416,135	S	*	11/1999	Chen	D3/276
D451,386	S	*	12/2001	Rice	D3/302
D471,010	S	*	3/2003	Wolf	D3/294
D480,211	S	*	10/2003	Wolf	D3/276
D543,350	S	*	5/2007	Sanderson	D3/201
D549,955	S	*	9/2007	Berg	D3/204
D555,894	S	*	11/2007	Berg	D3/204
D561,990	S	*	2/2008	Berg	D3/204
D570,596	S	*	6/2008	Berg	D3/204
D613,940	S	*	4/2010	Colwell	D3/204



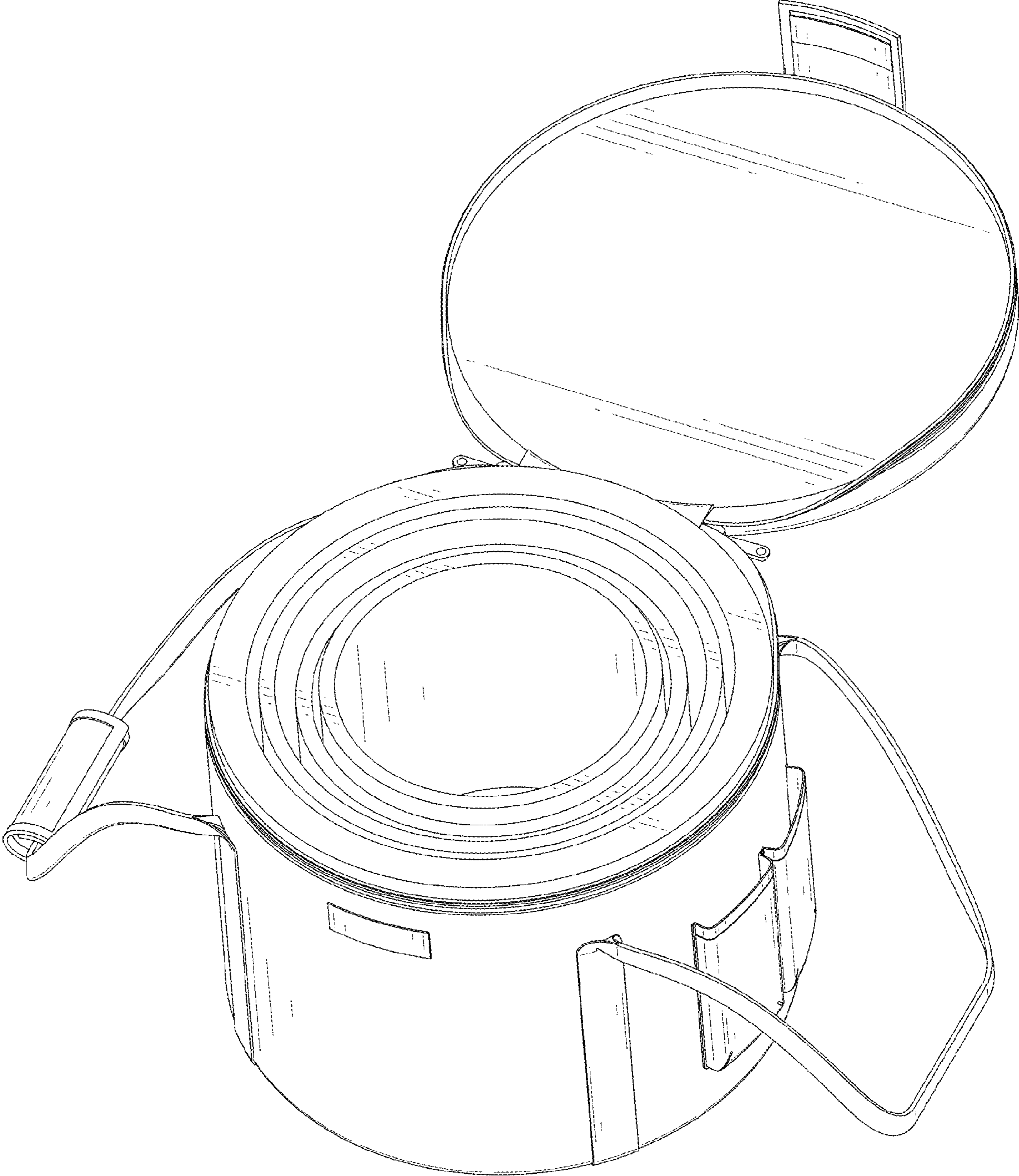


FIG. 1

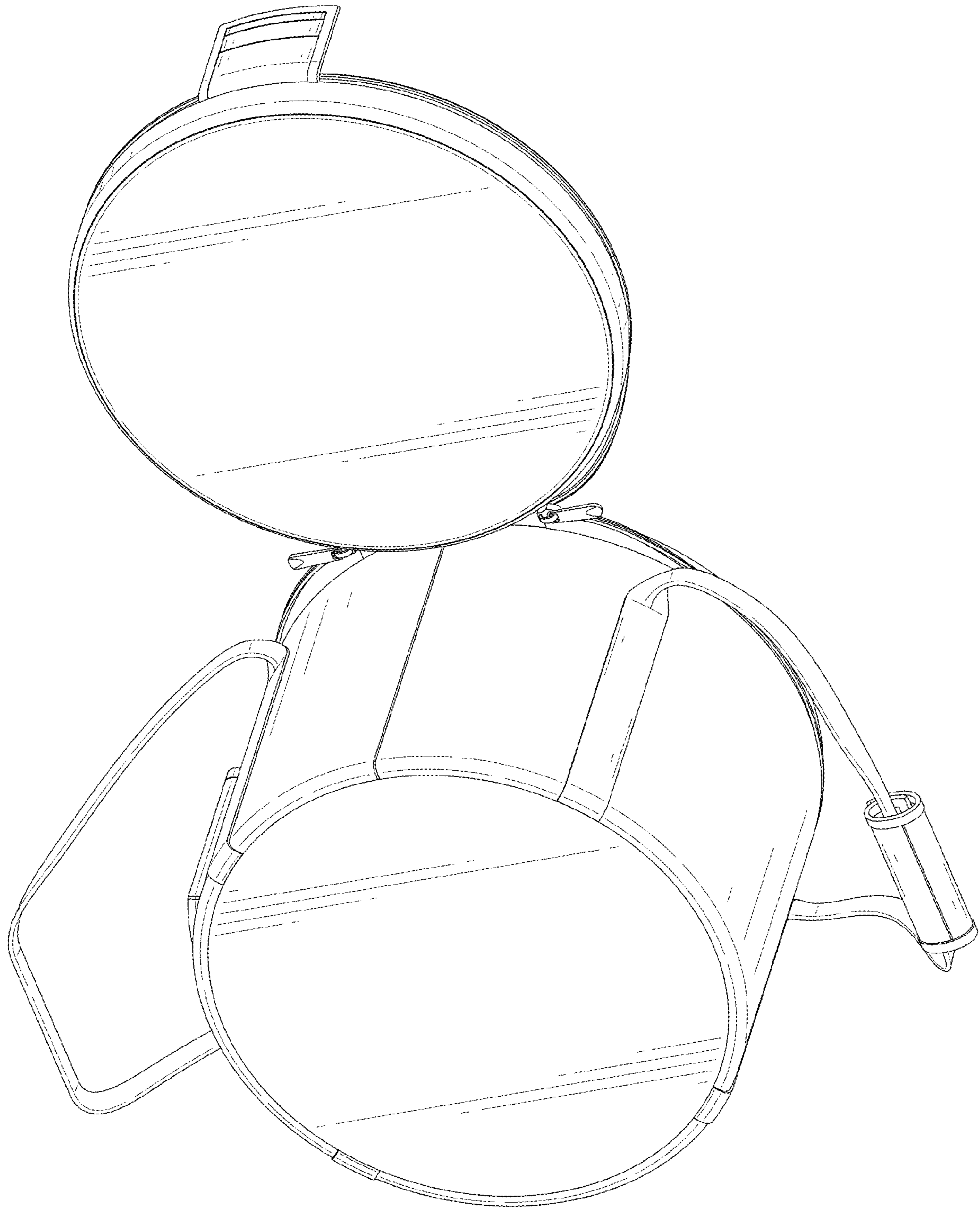


FIG. 2

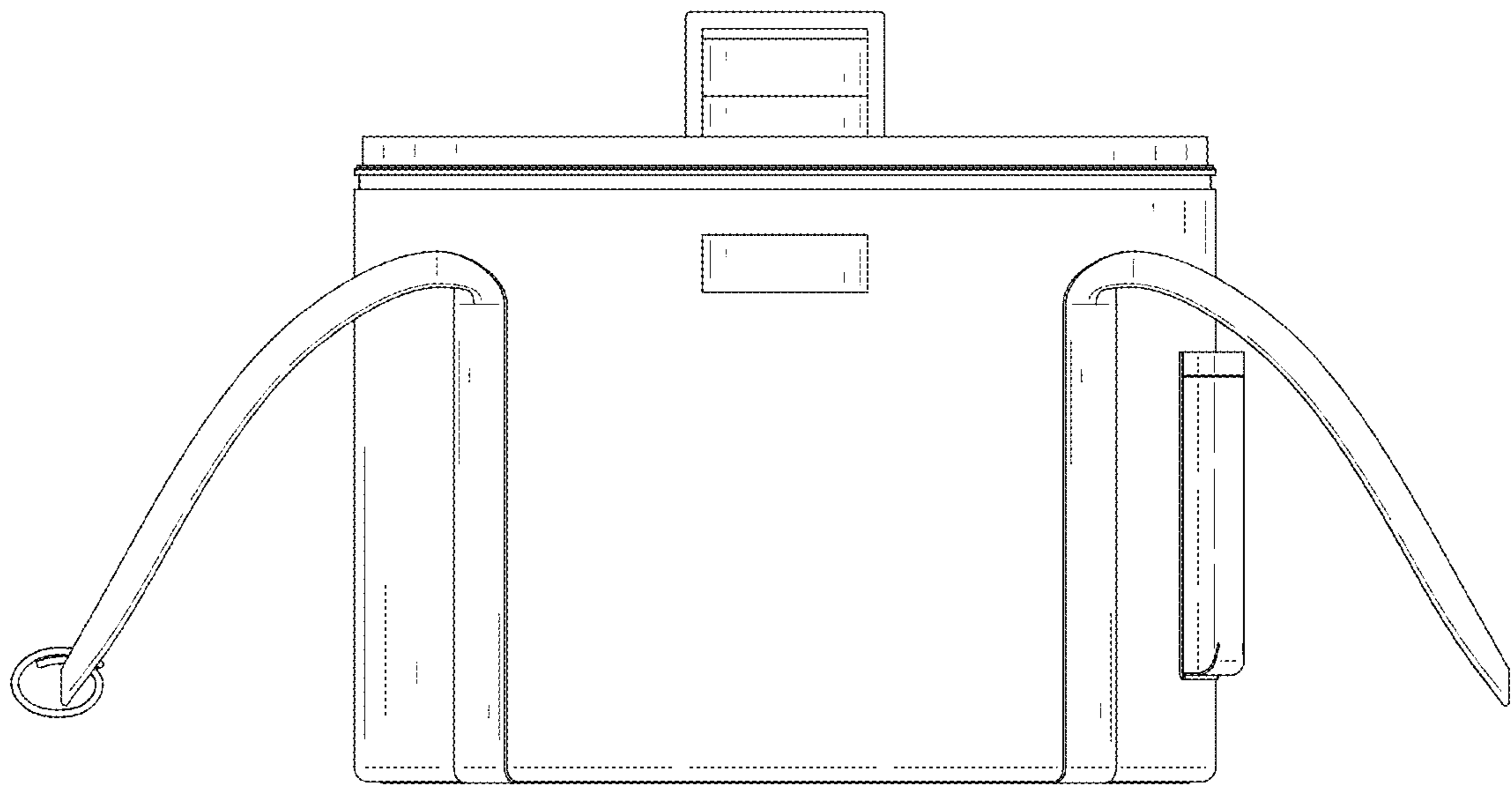


FIG. 3

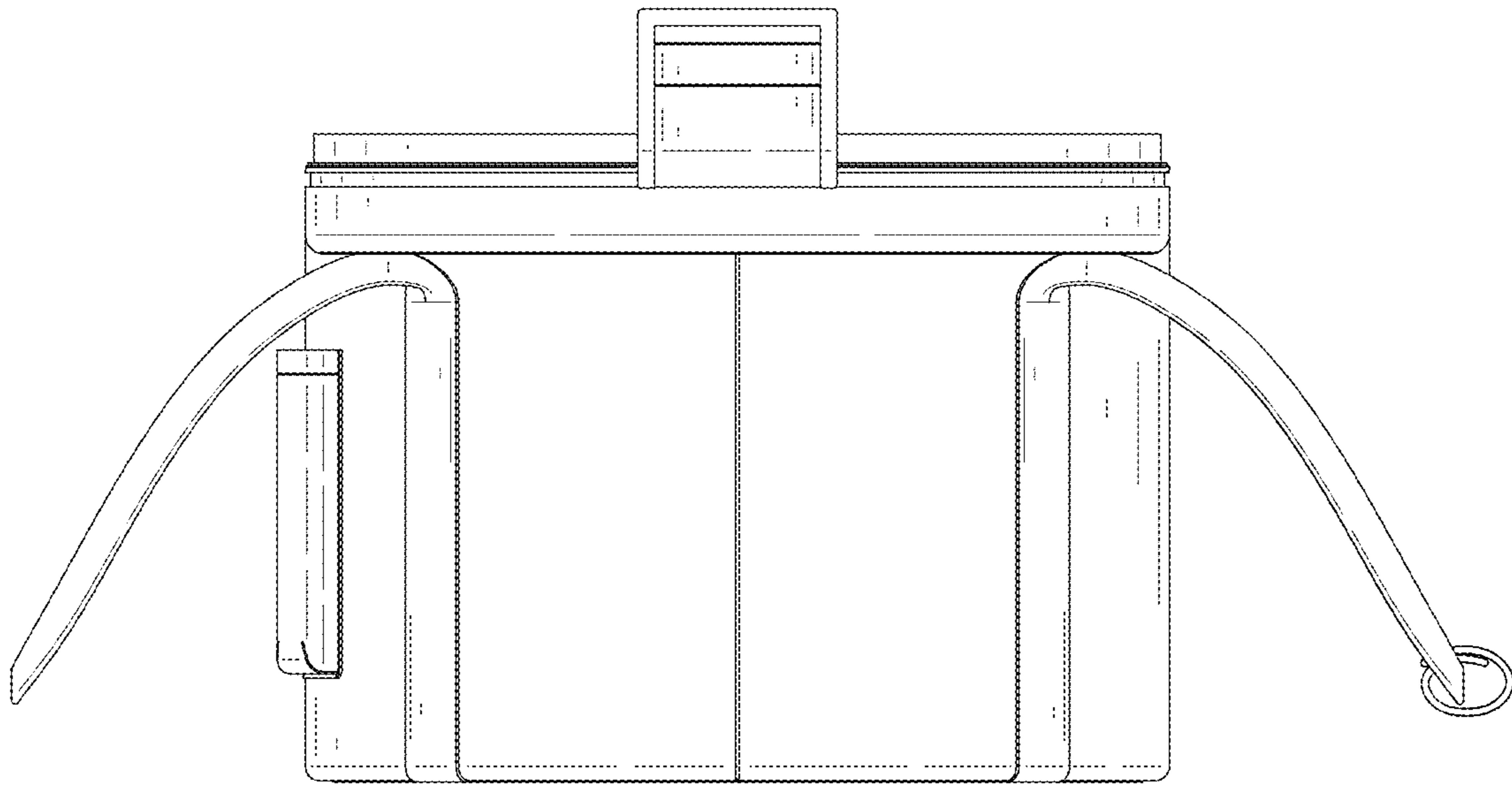


FIG. 4

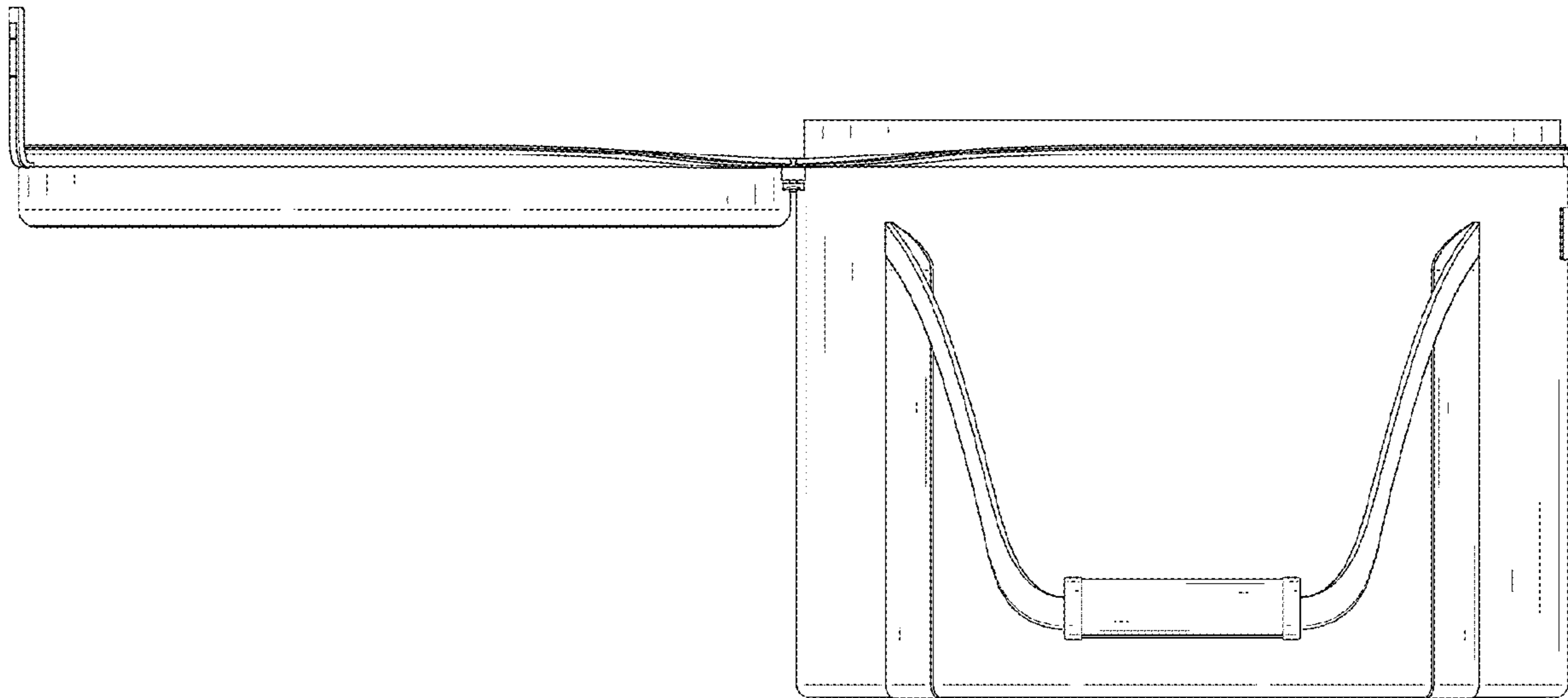


FIG. 5

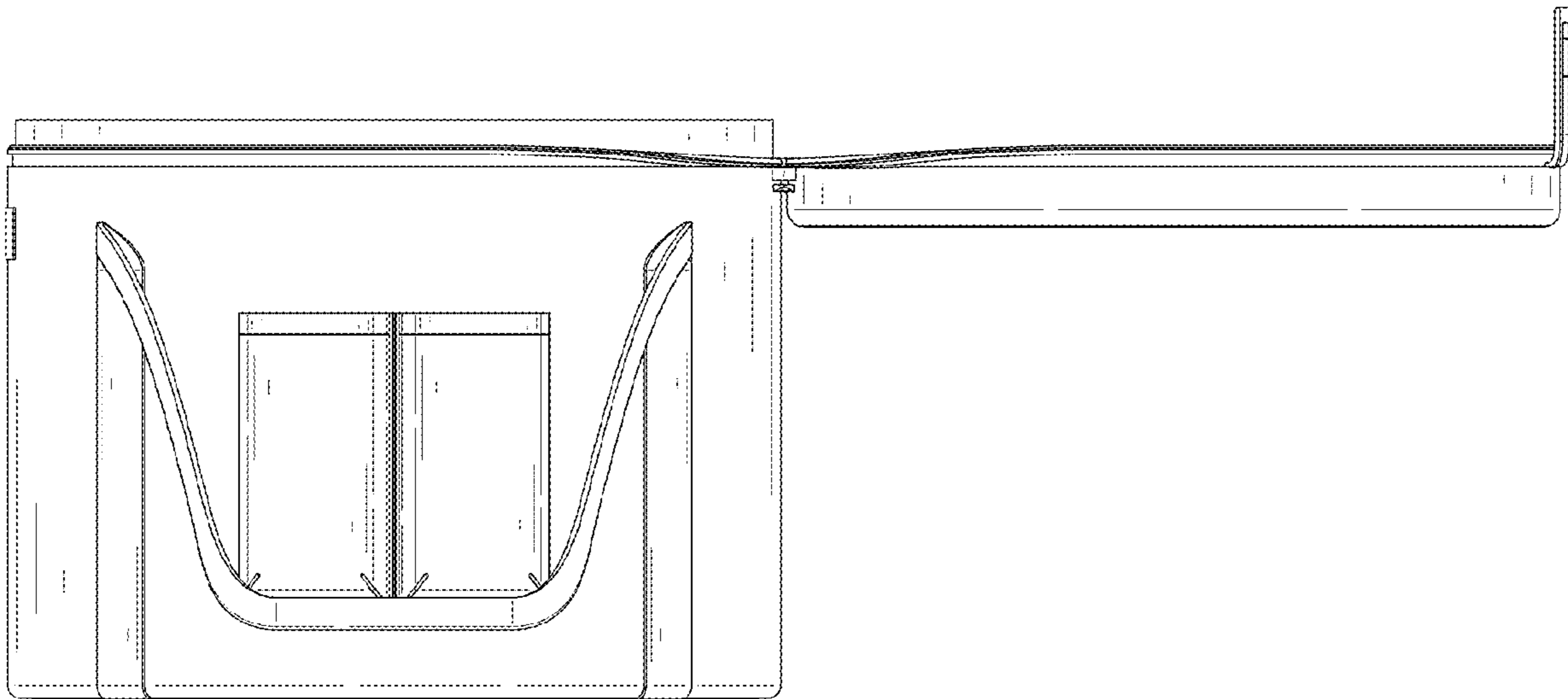


FIG. 6

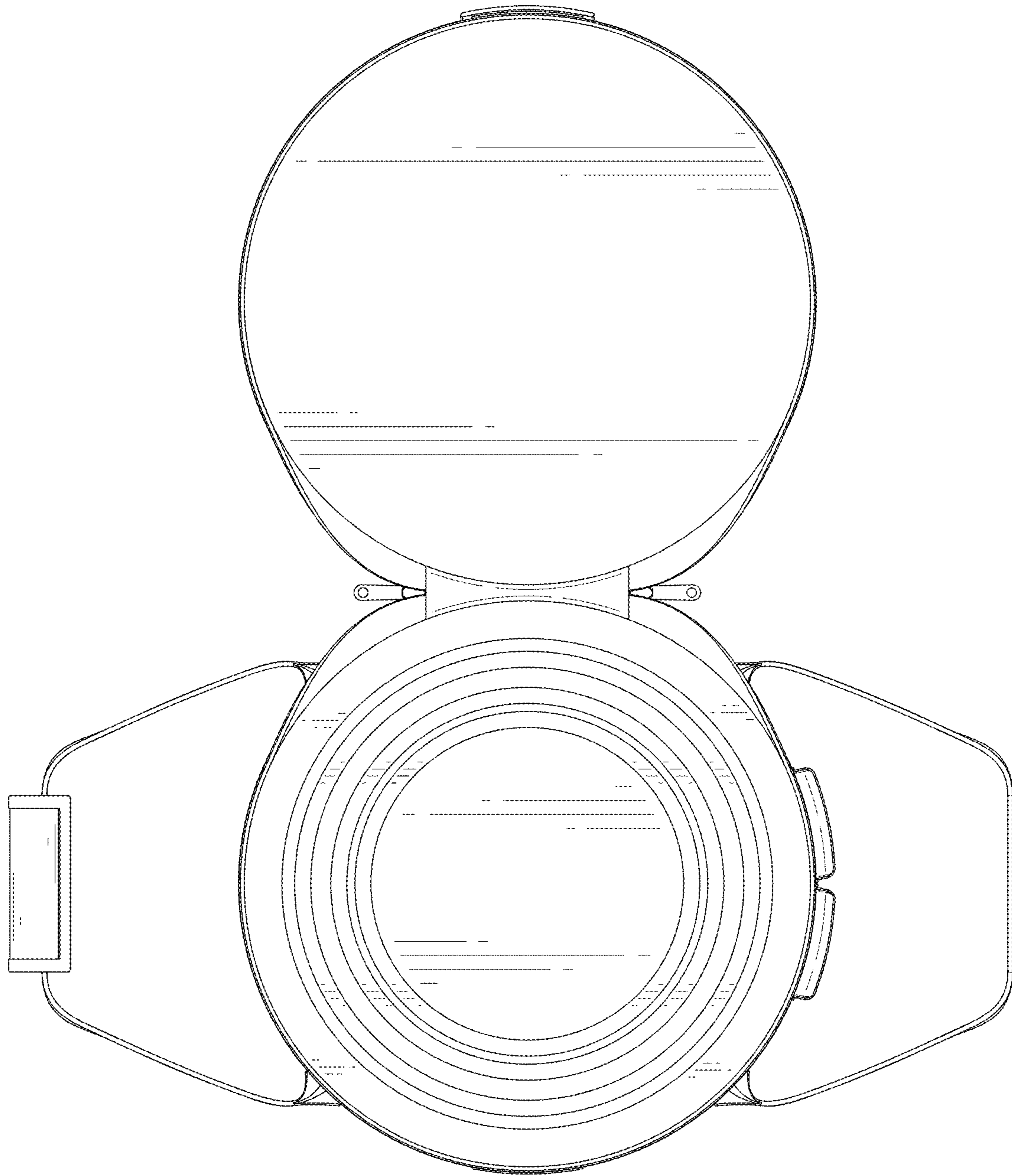


FIG. 7

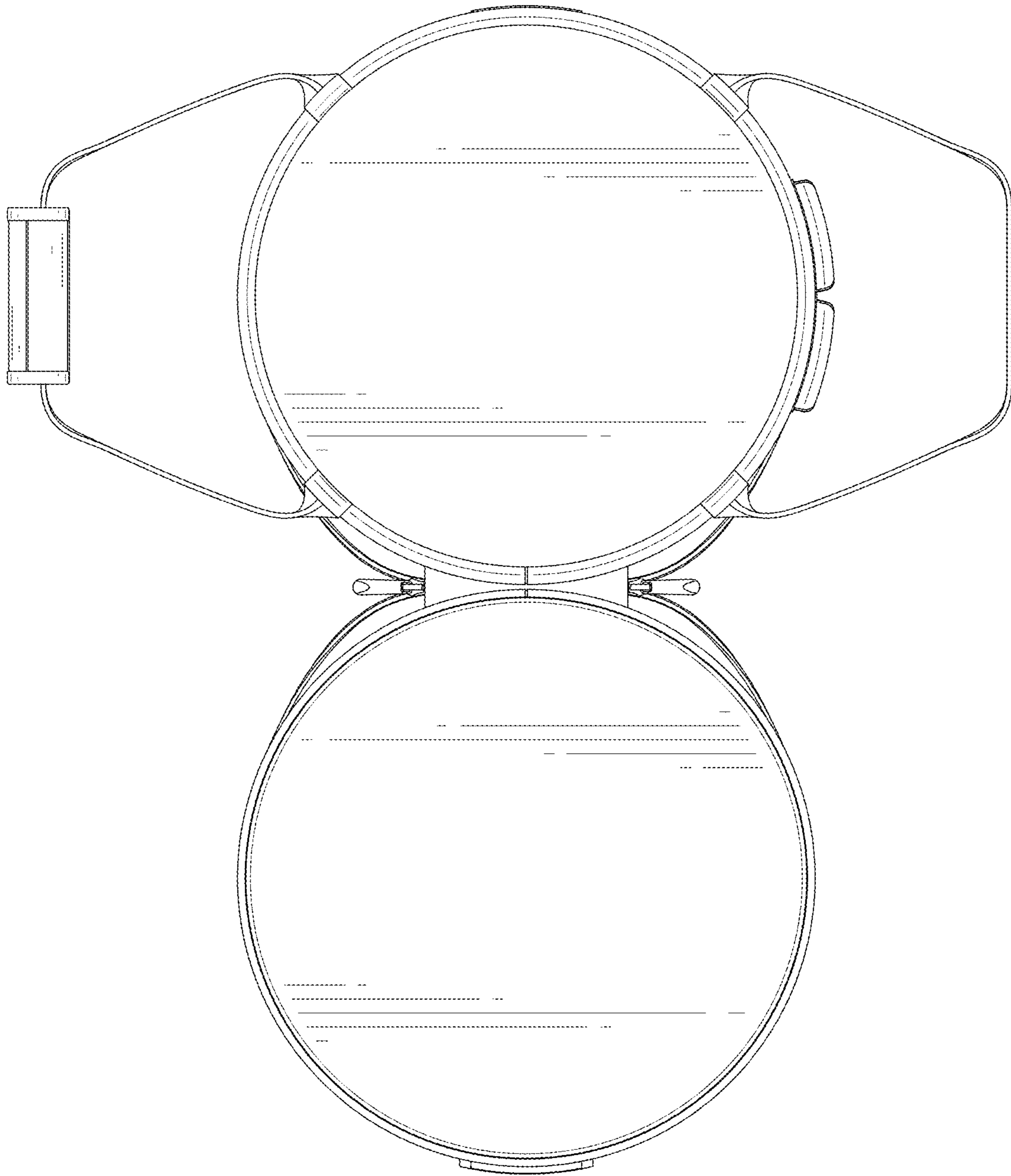


FIG. 8

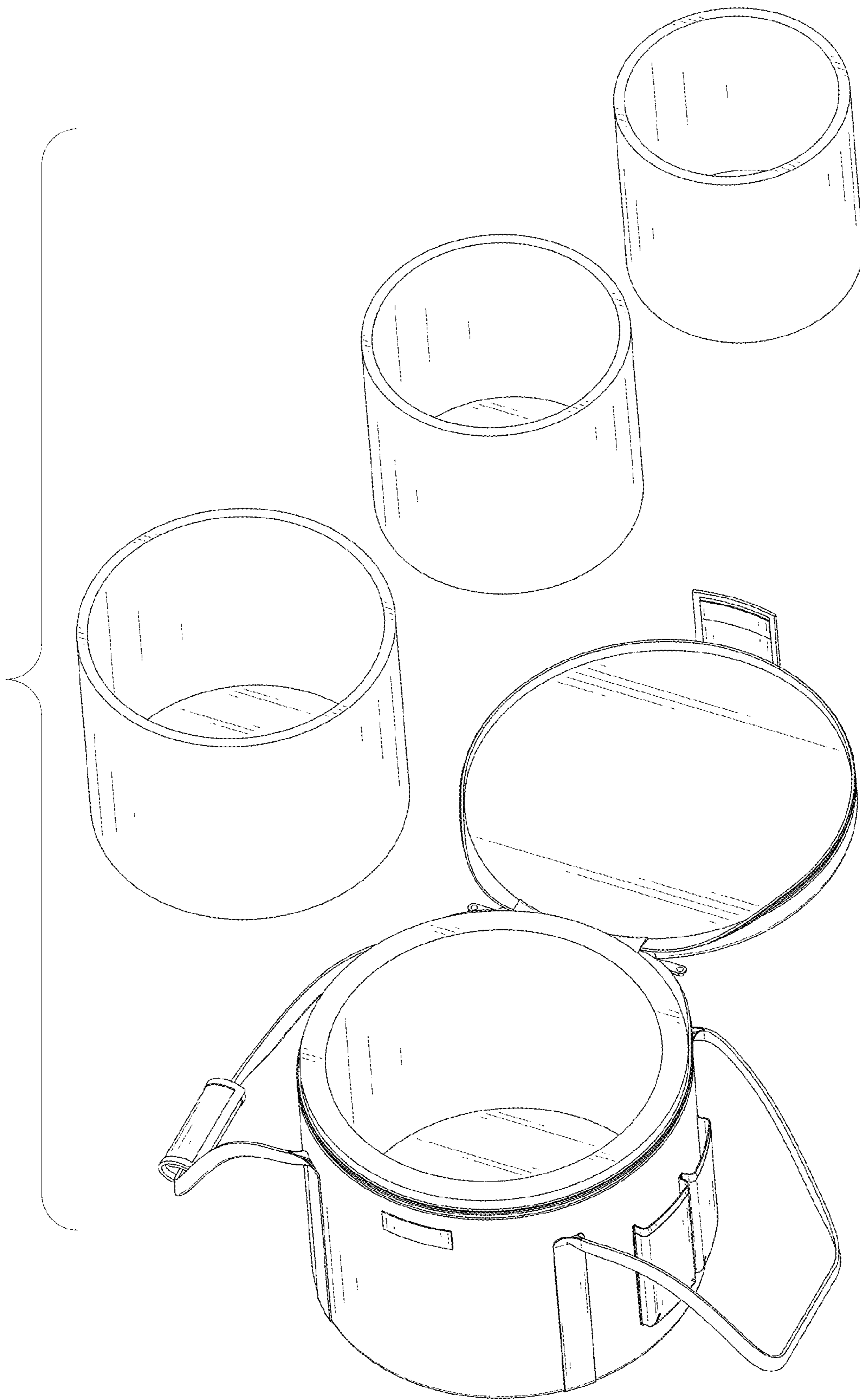


FIG. 9

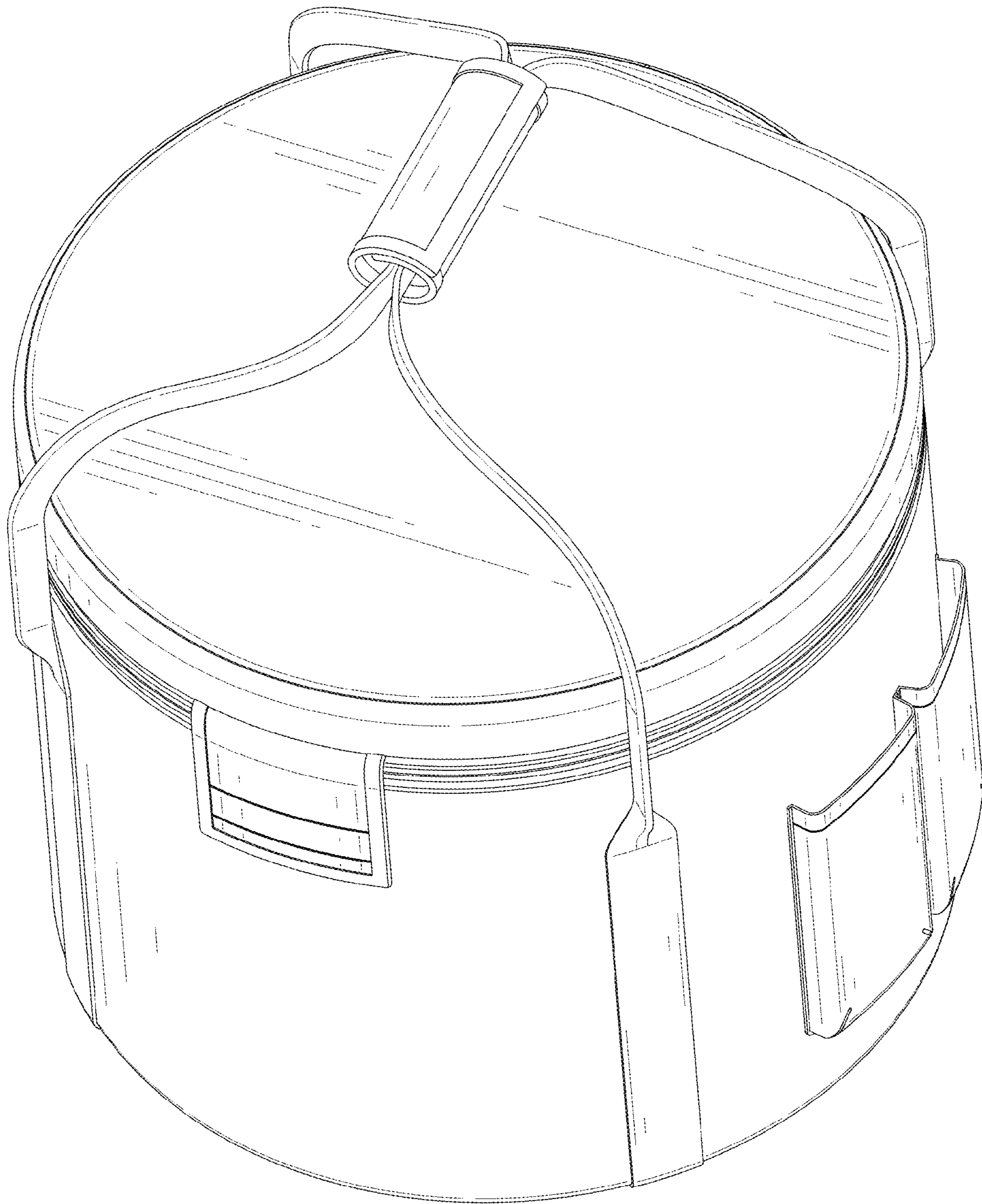


FIG. 10