



US00D919283S

(12) **United States Design Patent**  
**Guo et al.**

(10) **Patent No.:** **US D919,283 S**

(45) **Date of Patent:** **\*\* May 18, 2021**

(54) **PILL BOX**

(71) Applicant: **ZHUHAI TOP LABEL CO., LTD,**  
Zhuhai (CN)

(72) Inventors: **Jinpeng Guo,** Zhuhai (CN); **Wei Du,**  
Zhuhai (CN)

(73) Assignee: **ZHUHAI TOP LABEL CO., LTD,**  
Zhuhai (CN)

(\*\*) Term: **15 Years**

(21) Appl. No.: **29/760,657**

(22) Filed: **Dec. 3, 2020**

(51) **LOC (13) Cl.** ..... **03-01**

(52) **U.S. Cl.**  
USPC ..... **D3/203.3**

(58) **Field of Classification Search**  
USPC ..... D3/201, 203.1, 203.2, 203.3, 203.4,  
D3/203.5, 203.6, 273, 294, 295; D9/420,  
D9/421, 757, 759

CPC ..... B65D 1/36; B65D 2583/04; B65D 83/04;  
B65D 83/0445; B65D 83/0481; A61J  
1/00; A61J 1/03; A61J 7/04; A61J 7/0084

See application file for complete search history.

(56) **References Cited**

**U.S. PATENT DOCUMENTS**

D298,803 S *	12/1988	Ebling	.....	D3/203.3
D301,202 S *	5/1989	Canet	.....	D19/118
D304,905 S *	12/1989	Zimmerman	.....	D3/203.3
D337,725 S *	7/1993	Bunin	.....	D3/203.3
6,000,546 A *	12/1999	Noble	.....	A61J 1/03 206/1.5
D466,801 S *	12/2002	Holland	.....	D3/203.3
6,631,805 B2 *	10/2003	Bramen	.....	B65D 43/164 206/538
D525,535 S *	7/2006	Rathbone	.....	D9/757
D528,782 S *	9/2006	Oas	.....	D3/203.3

D575,956 S *	9/2008	Reardon	.....	D3/295
D587,005 S *	2/2009	Gardner	.....	D3/203.3
7,798,330 B2 *	9/2010	Noble	.....	B65D 83/04 206/538
8,381,911 B2 *	2/2013	Buchner	.....	B65D 83/04 206/538
D684,355 S *	6/2013	Priebe	.....	D3/203.3
D691,366 S *	10/2013	Muncy	.....	D3/203.3
D698,141 S *	1/2014	Priebe	.....	D3/203.3
D709,282 S *	7/2014	Priebe	.....	D3/203.3
D731,784 S *	6/2015	McGarry	.....	D3/205
D747,869 S *	1/2016	Priebe	.....	D3/203.3
D775,462 S *	1/2017	Noble	.....	D3/203.3

(Continued)

**OTHER PUBLICATIONS**

Artiart Portable Mini-sized Daily Pill Box Dispenser Slide open 3  
Compartment BPA Free Medicine Storage Box, tinkleo.com, [https://  
www.tinkleo.com/goods/daily-pill-box/6790.html](https://www.tinkleo.com/goods/daily-pill-box/6790.html) (Year: 2021).\*

(Continued)

*Primary Examiner* — Steven J Czyz

(57) **CLAIM**

The ornamental design for a pill box, as shown and  
described.

**DESCRIPTION**

FIG. 1 is a perspective view of a pill box showing my new  
design;

FIG. 2 is another perspective view thereof;

FIG. 3 is a front elevational view thereof;

FIG. 4 is a rear elevational view thereof;

FIG. 5 is a left side elevational view thereof;

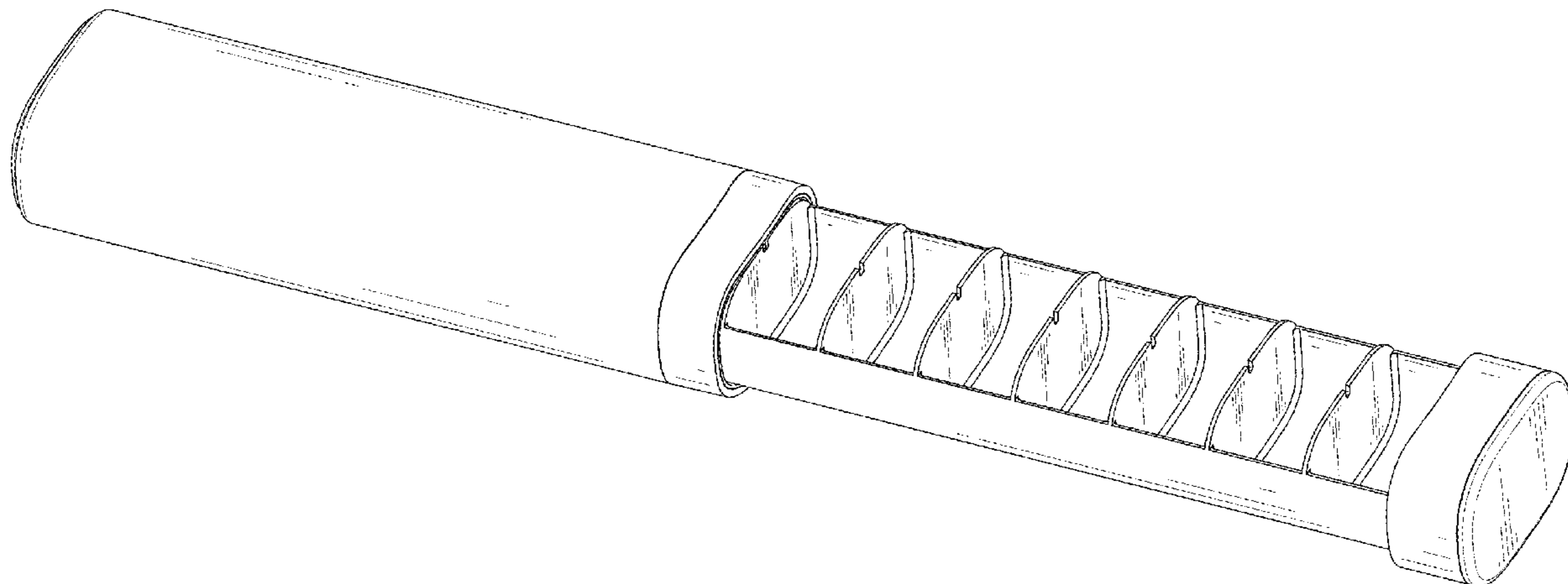
FIG. 6 is a right side elevational view thereof;

FIG. 7 is a top plan view thereof;

FIG. 8 is a bottom plan view thereof; and,

FIG. 9 is a perspective view of the pill box where the pill box  
is in a configuration of use.

**1 Claim, 9 Drawing Sheets**



(56)

References Cited

U.S. PATENT DOCUMENTS

D778,173 S \* 2/2017 Pisarevsky ..... D9/719  
D808,638 S \* 1/2018 Weng ..... D3/203.3  
D812,368 S \* 3/2018 Noble ..... D3/203.3  
D831,331 S \* 10/2018 Lee ..... D3/203.3  
D833,733 S \* 11/2018 Chen ..... D3/203.3  
D849,395 S \* 5/2019 Weng ..... D3/203.3  
D850,782 S \* 6/2019 Lee ..... D3/203.3  
D860,636 S \* 9/2019 Moody ..... D3/203.3  
D861,324 S \* 10/2019 Egge ..... D3/203.2  
10,653,583 B1 \* 5/2020 Walker ..... A61J 7/0069  
D895,958 S \* 9/2020 Guo ..... D3/203.3  
D895,959 S \* 9/2020 Guo ..... D3/203.3  
D896,501 S \* 9/2020 Guo ..... D3/203.3  
10,759,560 B2 \* 9/2020 Kang ..... B65D 11/12  
D897,665 S \* 10/2020 Guo ..... B65D 43/164  
D3/203.3  
D897,666 S \* 10/2020 Guo ..... B65D 11/12  
D3/203.3  
D898,344 S \* 10/2020 Lee ..... B65D 83/04  
D3/203.3

D898,345 S \* 10/2020 Lee ..... B65D 83/04  
D3/203.3  
D898,346 S \* 10/2020 Lee ..... A61J 1/03  
D3/203.3  
D898,347 S \* 10/2020 Lee ..... D3/203.3  
D898,348 S \* 10/2020 Guo ..... D3/203.3  
D909,744 S \* 2/2021 Guo ..... D3/203.3  
D914,357 \* 3/2021 Chen ..... D3/203.3  
2010/0044270 A1 \* 2/2010 Noble ..... B65D 83/04  
206/538

OTHER PUBLICATIONS

Patelai Pill Box, [https://www.amazon.com/Organizer-Waterproof-Dispenser-Container-Supplement/dp/B08R8T5M88/ref=pd\\_sbs\\_24?pd\\_rd\\_w=QJQ8r&pf\\_rd\\_p=2419a049-62bf-452e-b0d0-ca5b7e35a7b4&pf\\_rd\\_r=PV56T2YT61KD2KMDWKH2&pd\\_rd\\_r=a1bd316d-c83f-485e-93f1-7d2b8fff4351&pd\\_rd\\_wg=1ghHv&pd\\_rd\\_i=B08R8T5M88&psc=1](https://www.amazon.com/Organizer-Waterproof-Dispenser-Container-Supplement/dp/B08R8T5M88/ref=pd_sbs_24?pd_rd_w=QJQ8r&pf_rd_p=2419a049-62bf-452e-b0d0-ca5b7e35a7b4&pf_rd_r=PV56T2YT61KD2KMDWKH2&pd_rd_r=a1bd316d-c83f-485e-93f1-7d2b8fff4351&pd_rd_wg=1ghHv&pd_rd_i=B08R8T5M88&psc=1) (Year: 2020).\*

Sabi Pill Boxes, design-milk.com, Posted by Marni Katz, <https://design-milk.com/sabi-pill-boxes-and-more-by-fuseproject/> (Year: 2012).\*

\* cited by examiner

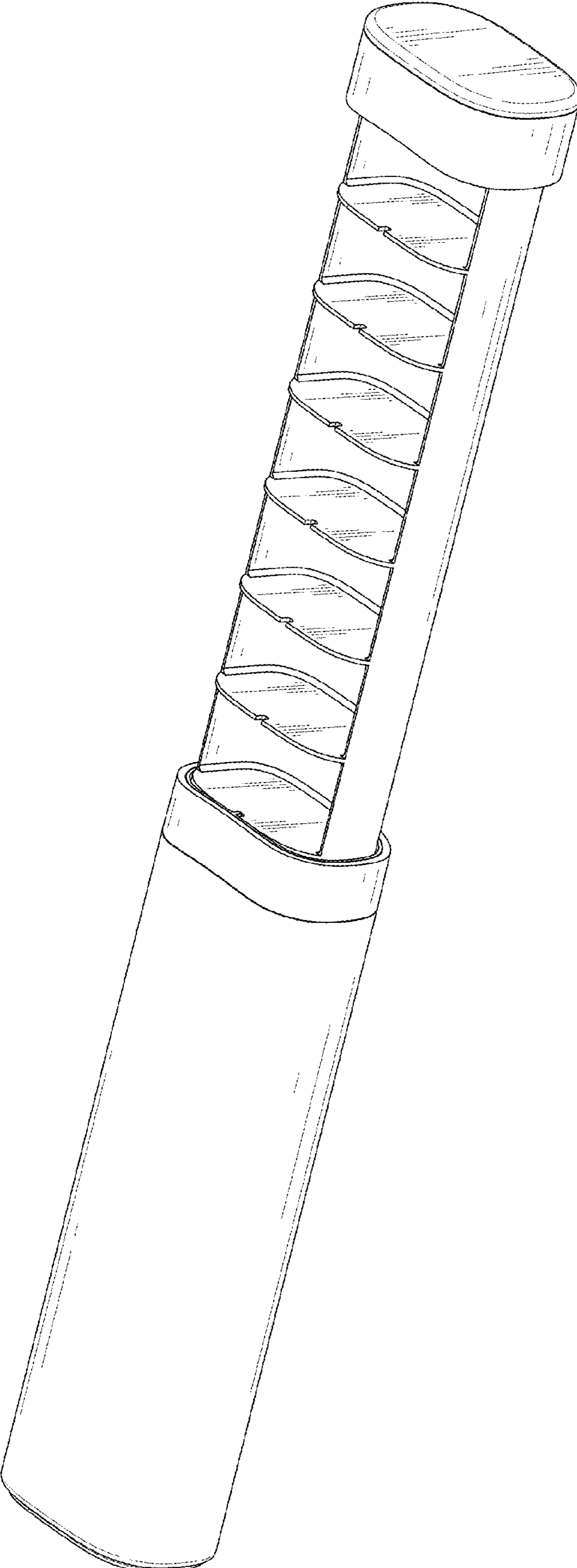


FIG. 1

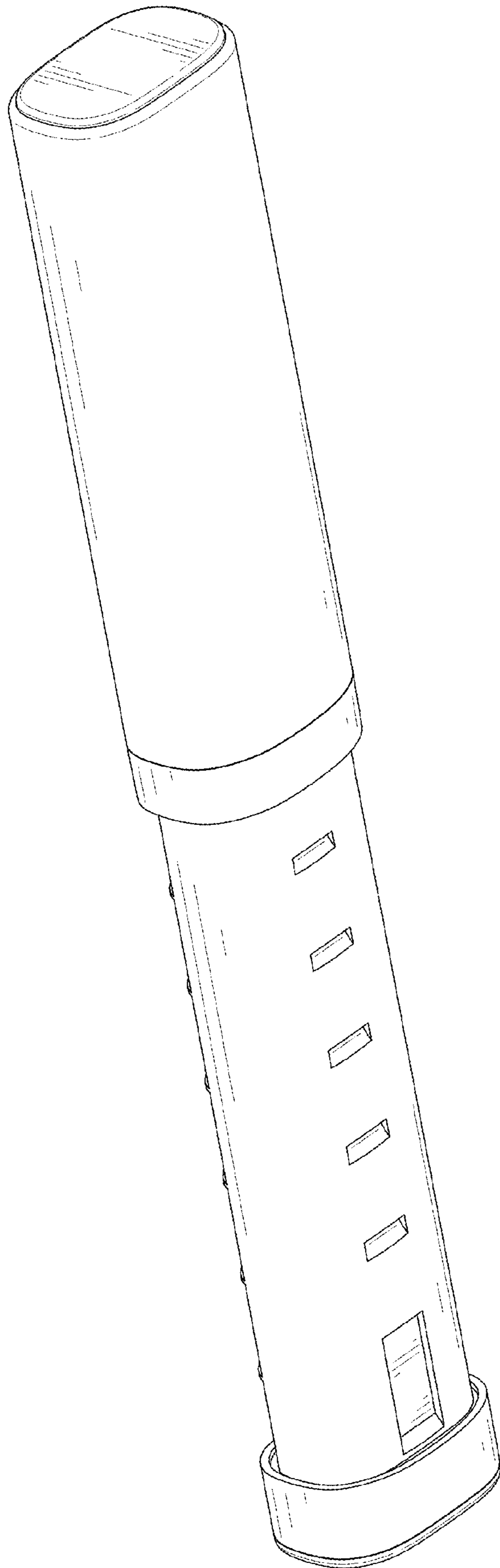


FIG. 2

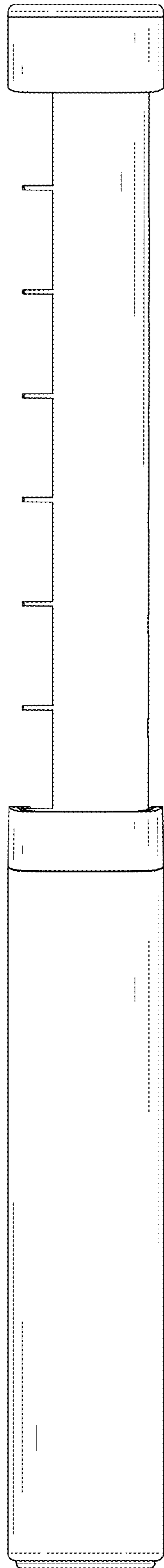


FIG. 3

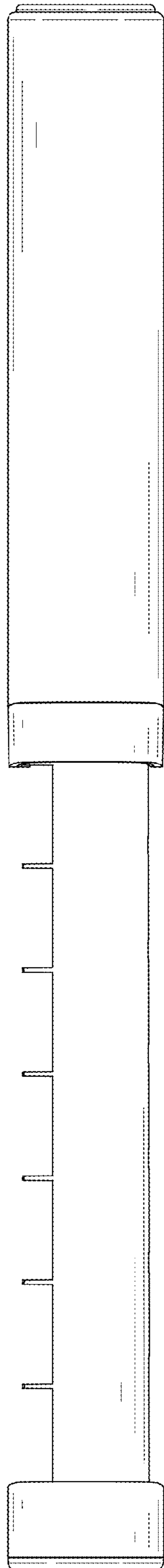


FIG. 4



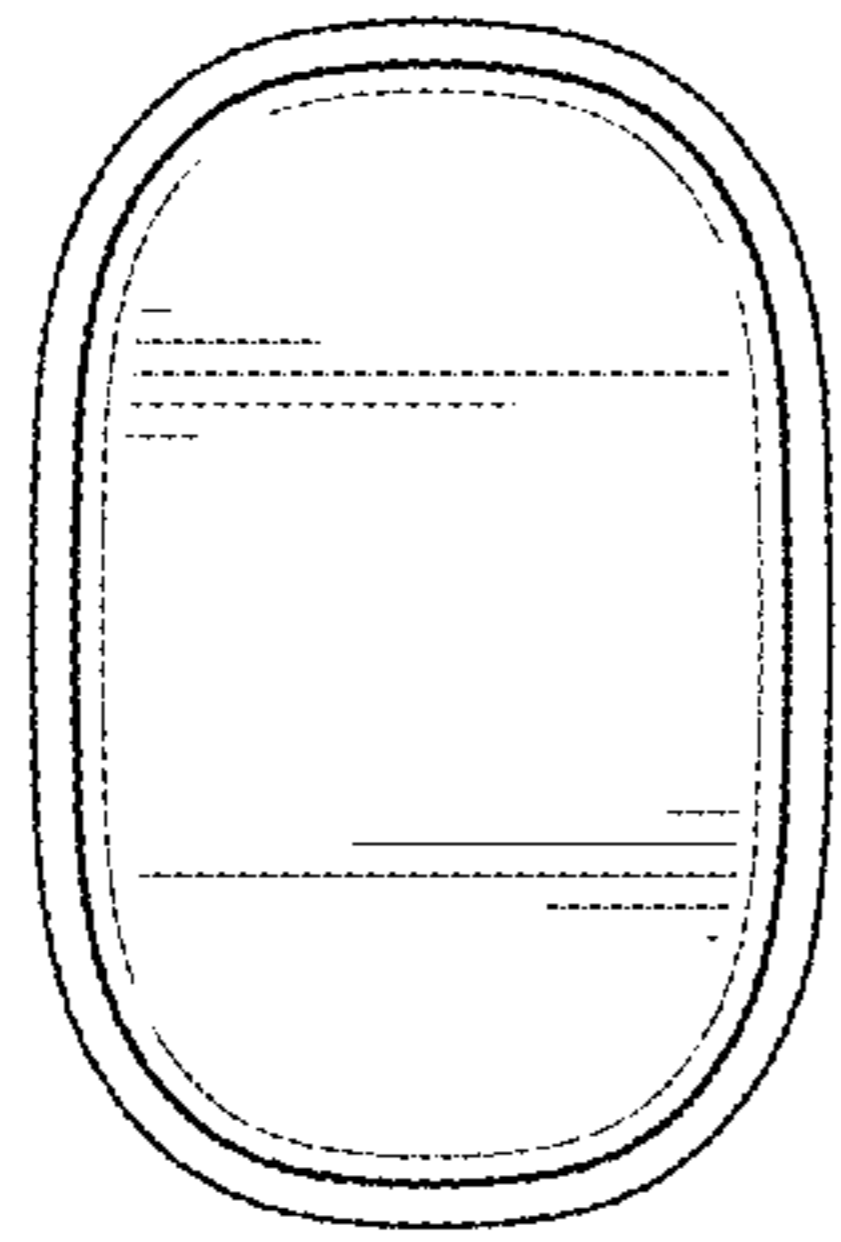


FIG. 5

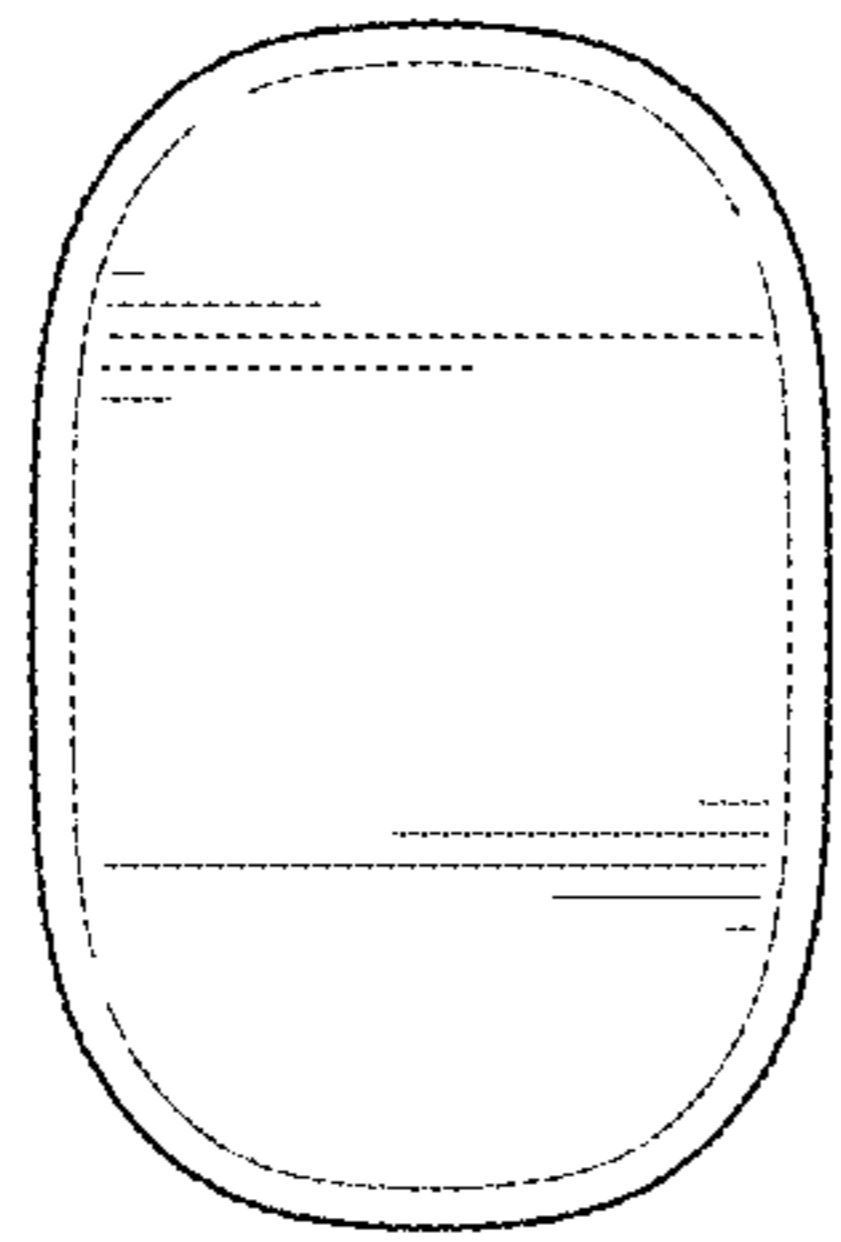


FIG. 6



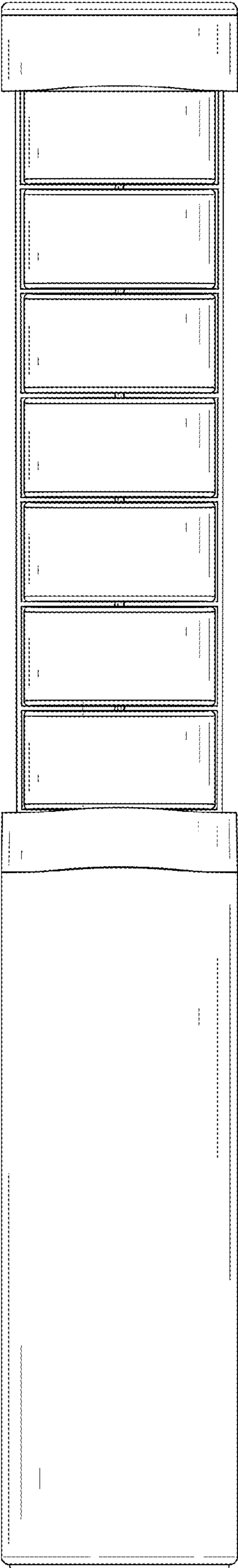


FIG. 7

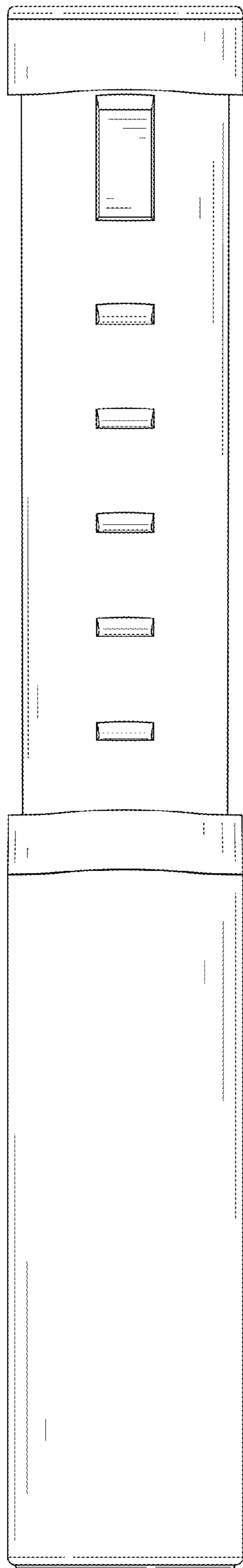


FIG. 8

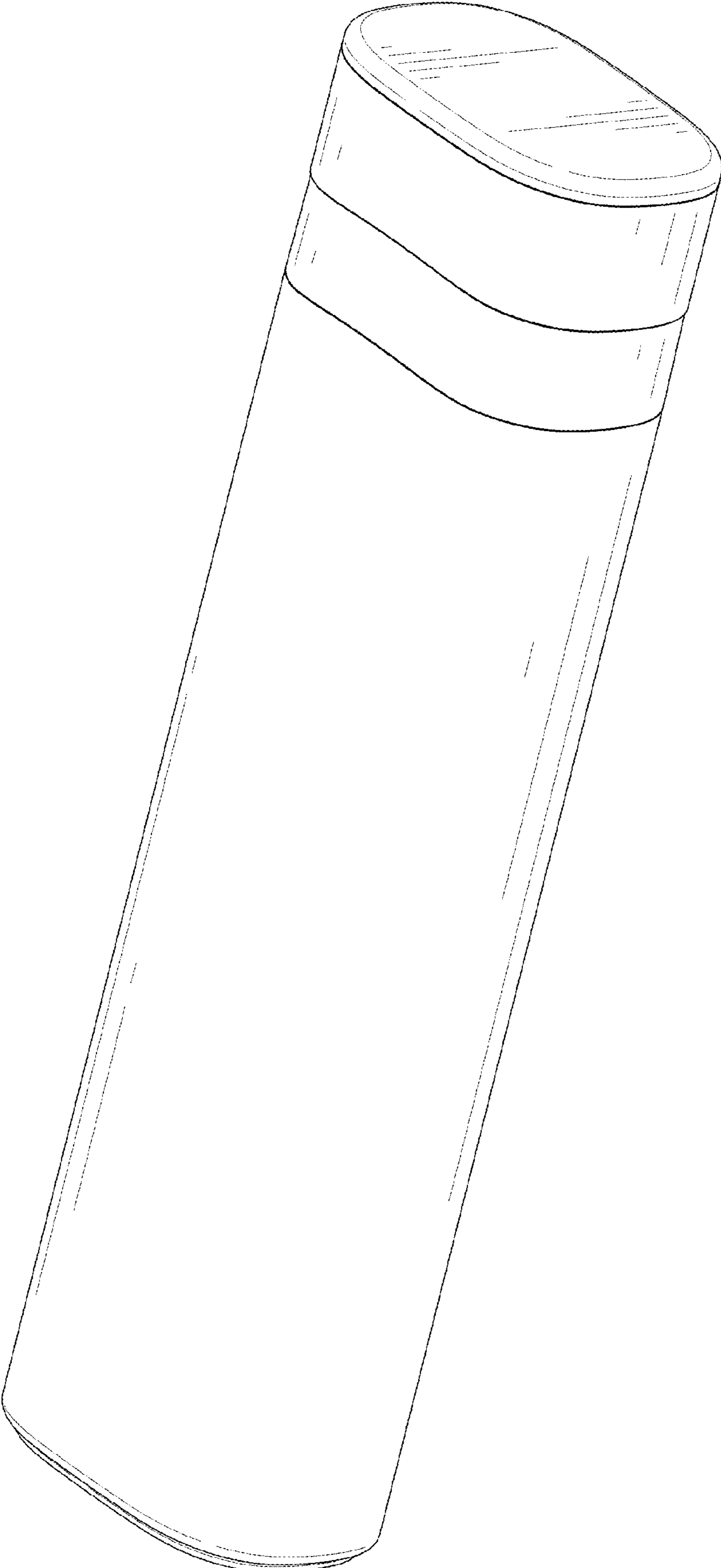


FIG. 9