



US00D919281S

(12) **United States Design Patent**
Gellineau

(10) **Patent No.:** **US D919,281 S**

(45) **Date of Patent:** **** May 18, 2021**

(54) **PORT SEALER DEVICE**

(71) Applicant: **Leon S. Gellineau**, Huntington Station, NY (US)

(72) Inventor: **Leon S. Gellineau**, Huntington Station, NY (US)

(**) Term: **15 Years**

(21) Appl. No.: **29/643,223**

(22) Filed: **Apr. 5, 2018**

Related U.S. Application Data

(63) Continuation of application No. 15/587,980, filed on May 5, 2017, now Pat. No. 9,943,121.

(51) **LOC (13) Cl.** **02-02**

(52) **U.S. Cl.**
USPC **D2/999**

(58) **Field of Classification Search**
USPC D24/127-131, 112-114, 133, 186;
606/181, 185; 604/264, 523-528, 272,
604/187, 158, 164.01-164.11, 181, 184,
604/227; 600/101, 139, 143;
128/200.24, 207.14, 207.15; D2/502,
D2/609, 628, 633, 636, 639, 863, 864,
D2/895, 976, 999; D5/63; D11/86, 87,
(Continued)

(56) **References Cited**

U.S. PATENT DOCUMENTS

D263,678 S * 4/1982 Dewey 411/531
4,892,522 A * 1/1990 Suzuki A61M 5/3213
604/192

(Continued)

FOREIGN PATENT DOCUMENTS

CN 205017517 2/2016

OTHER PUBLICATIONS

PCT International Report on Patentability for PCT/US2017/031288 dated Nov. 15, 2018 (7 pages).

(Continued)

Primary Examiner — Nathan M Johnston

(74) *Attorney, Agent, or Firm* — Carter, DeLuca & Farrell LLP; George Likourezos

(57) **CLAIM**

The ornamental design for a port sealer device, as shown and described.

DESCRIPTION

FIG. 1 is a top elevation view of a male port sealer for a port sealer device, shown separately for ease of illustration;

FIG. 2 is a bottom elevation view of the male port sealer for the port sealer device, shown separately for ease of illustration;

FIG. 3 is a top elevation view of a female port sealer for the port sealer device, shown separately for ease of illustration;

FIG. 4 is a bottom elevation view of the female port sealer for the port sealer device, shown separately for ease of illustration;

FIG. 5 is a top perspective view of the port sealer device with the male port sealer coupled to the female port sealer;

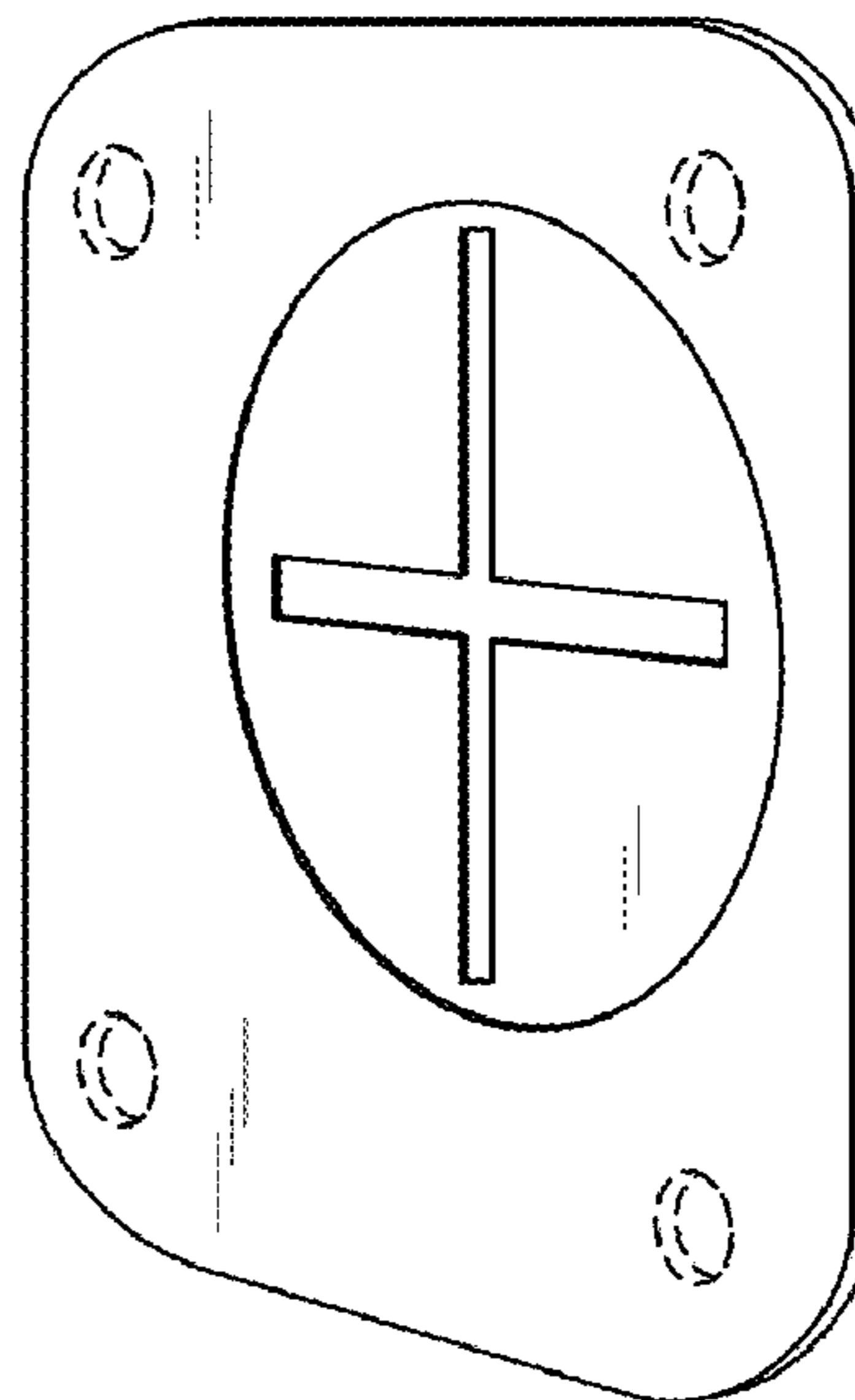
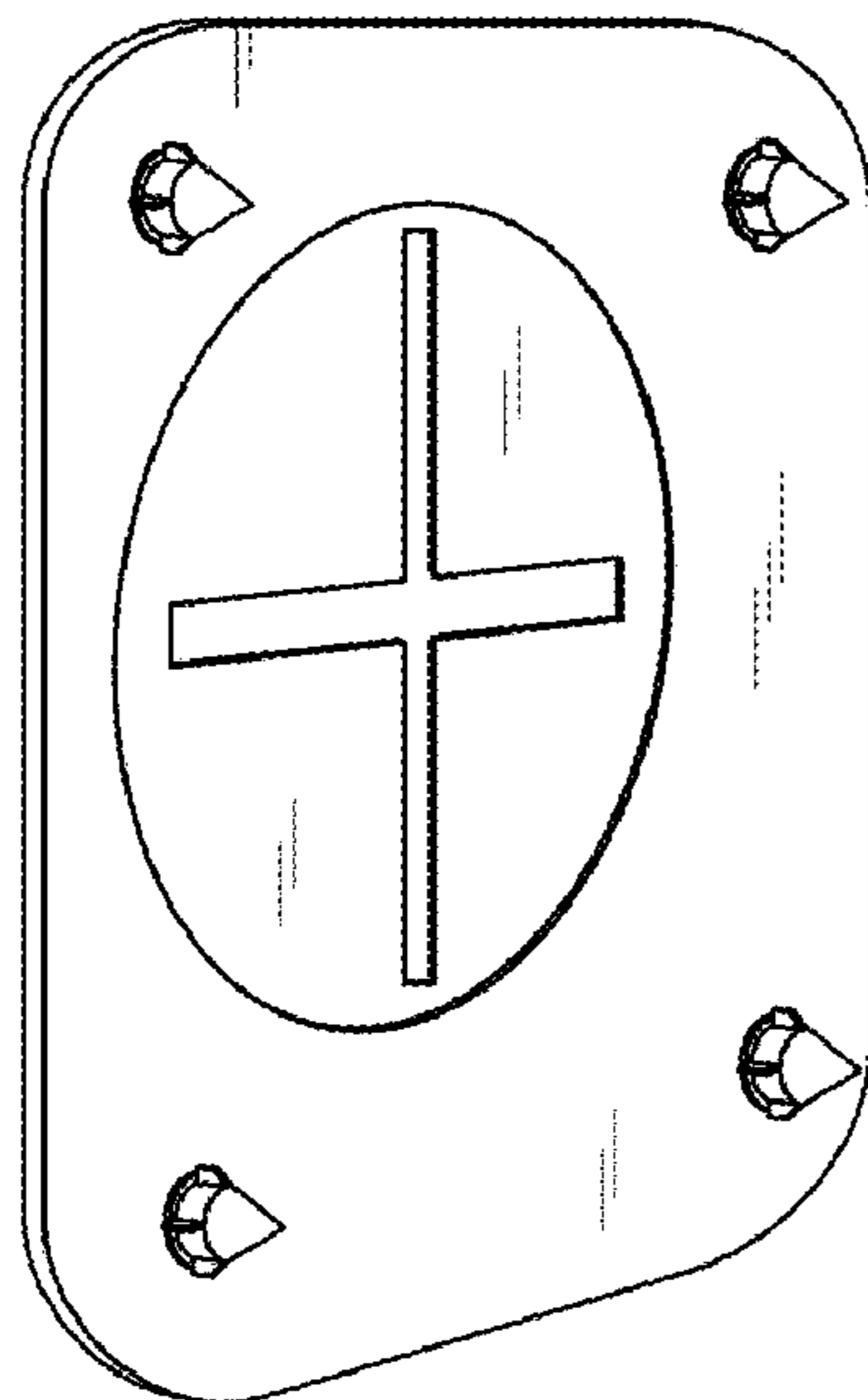
FIG. 6 is a side elevation view of the port sealer device with the male port sealer coupled to the female port sealer;

FIG. 7 is a side perspective view of the port sealer device with the male port sealer de-coupled from the female port sealer; and,

FIG. 8 is a bottom perspective view of the port sealer device with the male port sealer coupled to the female port sealer.

The broken lines illustrate portions of the port sealer device that form no part of the claimed design.

1 Claim, 4 Drawing Sheets



(58) **Field of Classification Search**

USPC D11/132, 145, 155, 184, 210, 215, 218,
 D11/228, 236, 237, 238; D14/168, 203.5,
 D14/209, 224, 238, 511; D16/136, 200,
 D16/202, 203, 208, 219–220, 235,
 D16/237–245, 250; D29/101.3, 103, 129,
 D29/130; D10/121, 108, 123, 105;
 D13/152, 169, 171, 156, 174, 158, 162,
 D13/177, 184; D8/16, 19, 26, 37, 330,
 D8/350–353, 356, 364, 366, 499
 CPC A41D 1/002; A41D 1/00; B65H 57/04;
 B65H 57/12; B65H 57/26; B65H 57/00
 See application file for complete search history.

(56) **References Cited**

U.S. PATENT DOCUMENTS

D333,186 S * 2/1993 Andersen D24/216
 5,427,742 A * 6/1995 Holland G01N 1/36
 422/536
 5,503,625 A * 4/1996 Plass A61F 5/442
 128/887
 D404,483 S * 1/1999 Harwood D24/131
 D431,867 S * 10/2000 Maynard D24/216
 D461,896 S * 8/2002 Worthington D24/162

D529,782 S * 10/2006 Zafirian D8/300
 D542,123 S * 5/2007 Symons D8/356
 D582,554 S * 12/2008 Adams D24/164
 D585,317 S * 1/2009 Wagner D10/81
 8,152,785 B2 * 4/2012 Vitaris A61M 1/0088
 604/304
 8,411,891 B2 4/2013 Del Prete
 8,625,835 B2 1/2014 Gotlieb
 D724,462 S * 3/2015 Bould D10/106.2
 D726,924 S * 4/2015 Tseng D24/186
 D733,915 S * 7/2015 Stuyfzand D24/231
 D741,726 S * 10/2015 Akana D10/30
 D744,658 S * 12/2015 Hilkey-Boyatt D11/86
 D820,123 S * 6/2018 Chou D10/70
 D826,752 S * 8/2018 Lee D10/81
 D842,724 S * 3/2019 Vandenbussche D10/70
 D850,627 S * 6/2019 Purani D24/186
 D852,662 S * 7/2019 Zhong D10/81
 D854,433 S * 7/2019 Vandenbussche D10/70
 D862,259 S * 10/2019 Shortt D10/81
 D864,767 S * 10/2019 Vandenbussche D10/70
 2009/0139013 A1 6/2009 Sapowycz et al.

OTHER PUBLICATIONS

PCT International Search Report and Written Opinion dated Aug. 3, 2017 (13 pages).

* cited by examiner

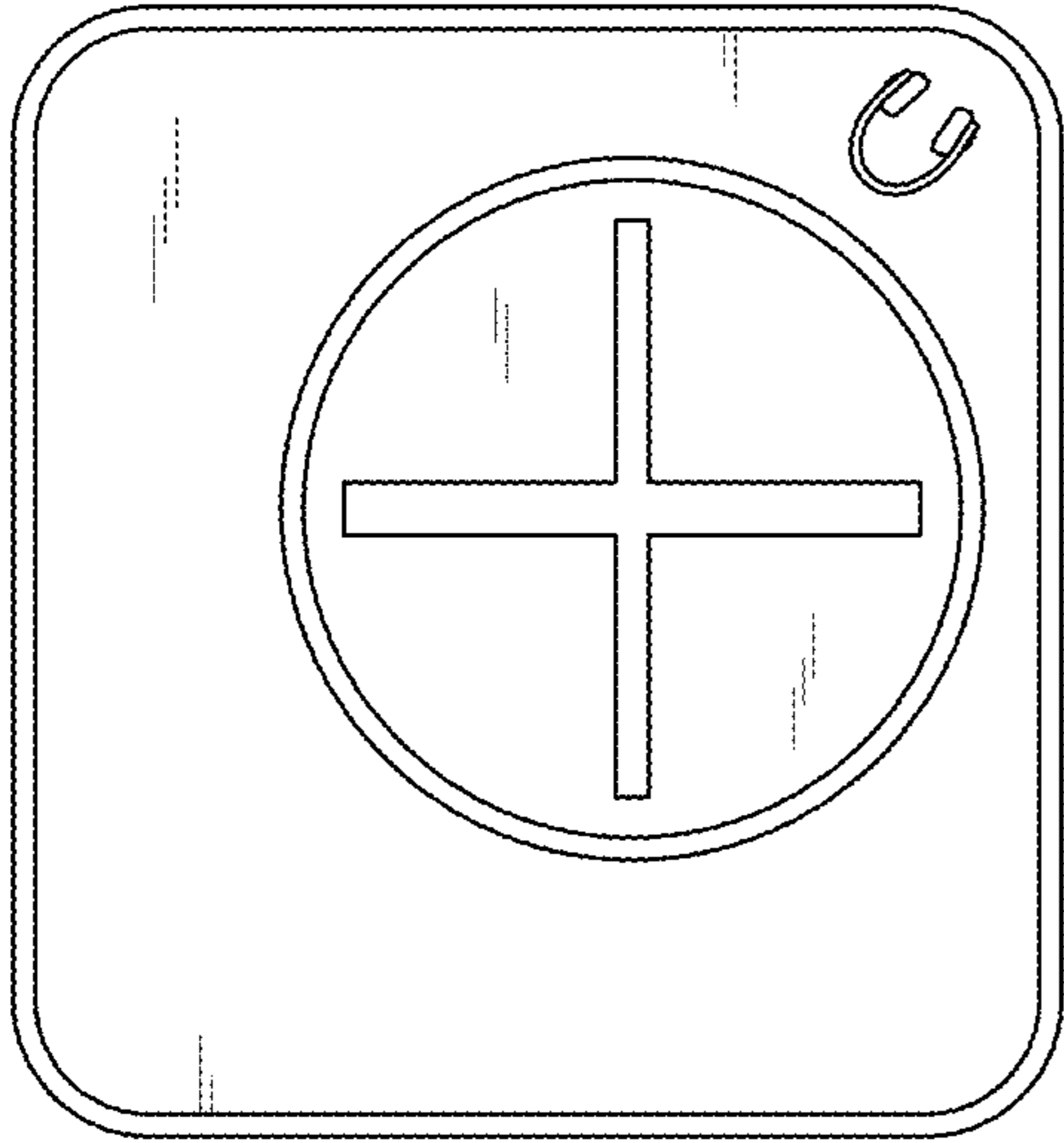


FIG. 1

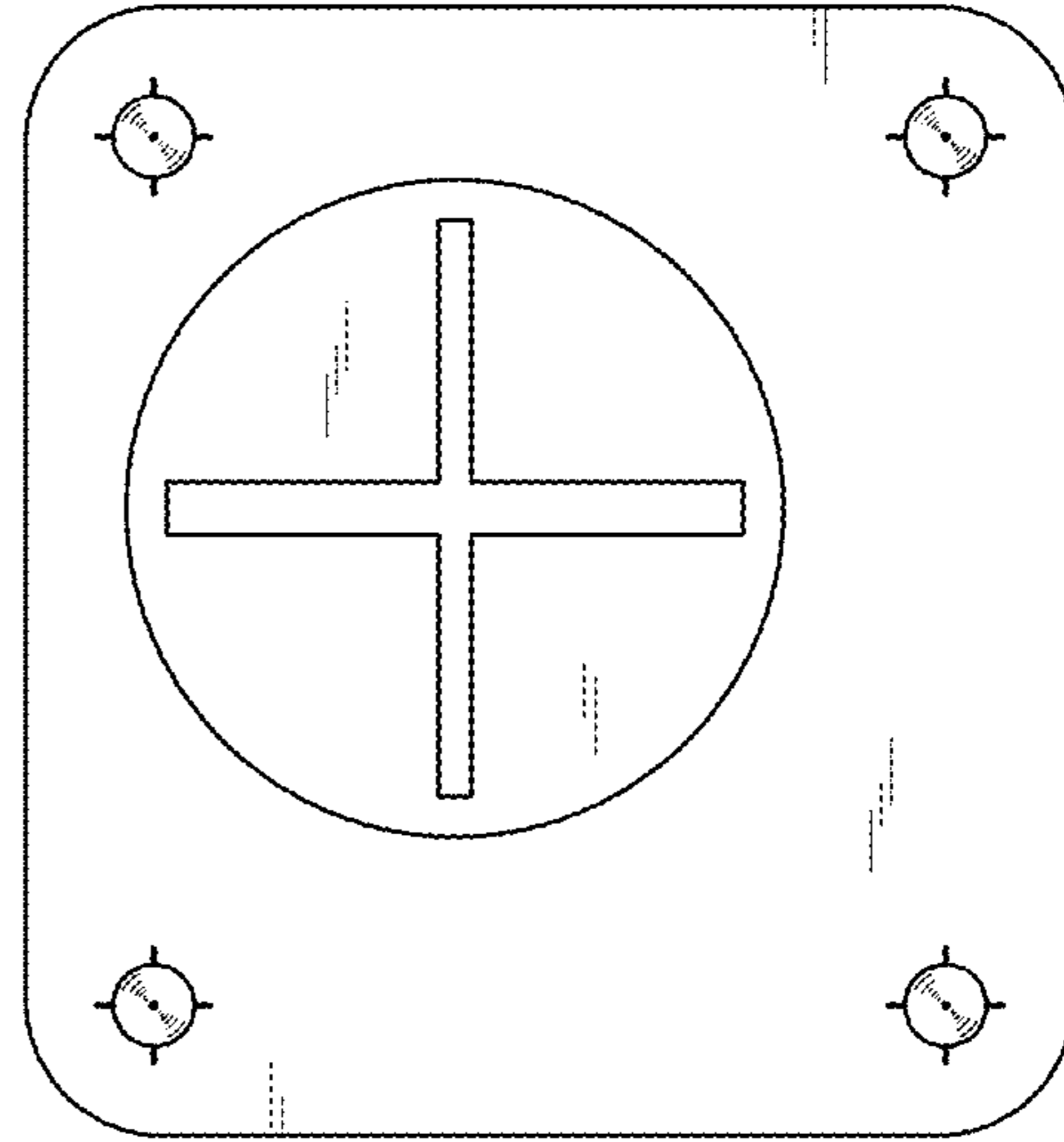


FIG. 2

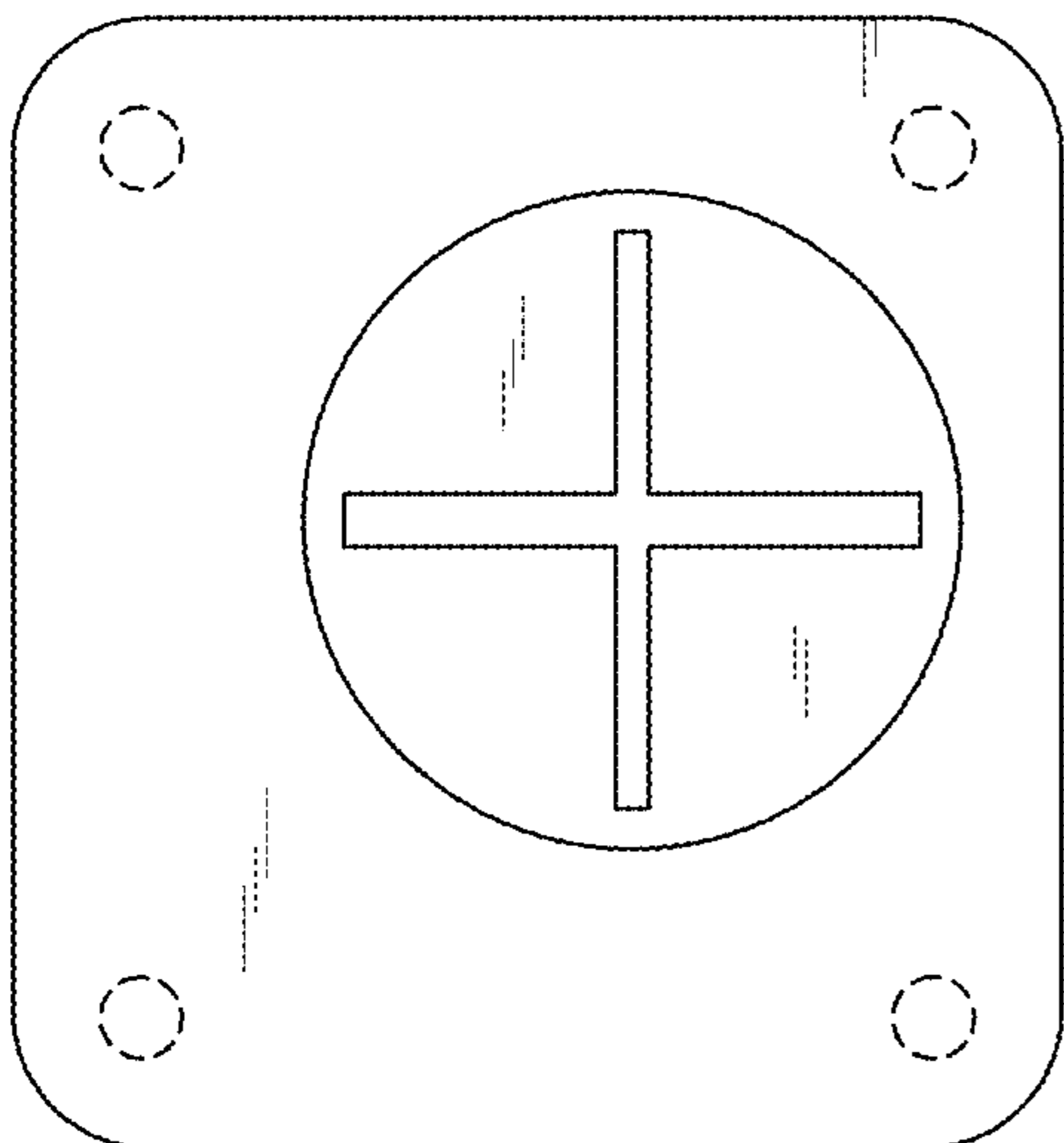


FIG. 3

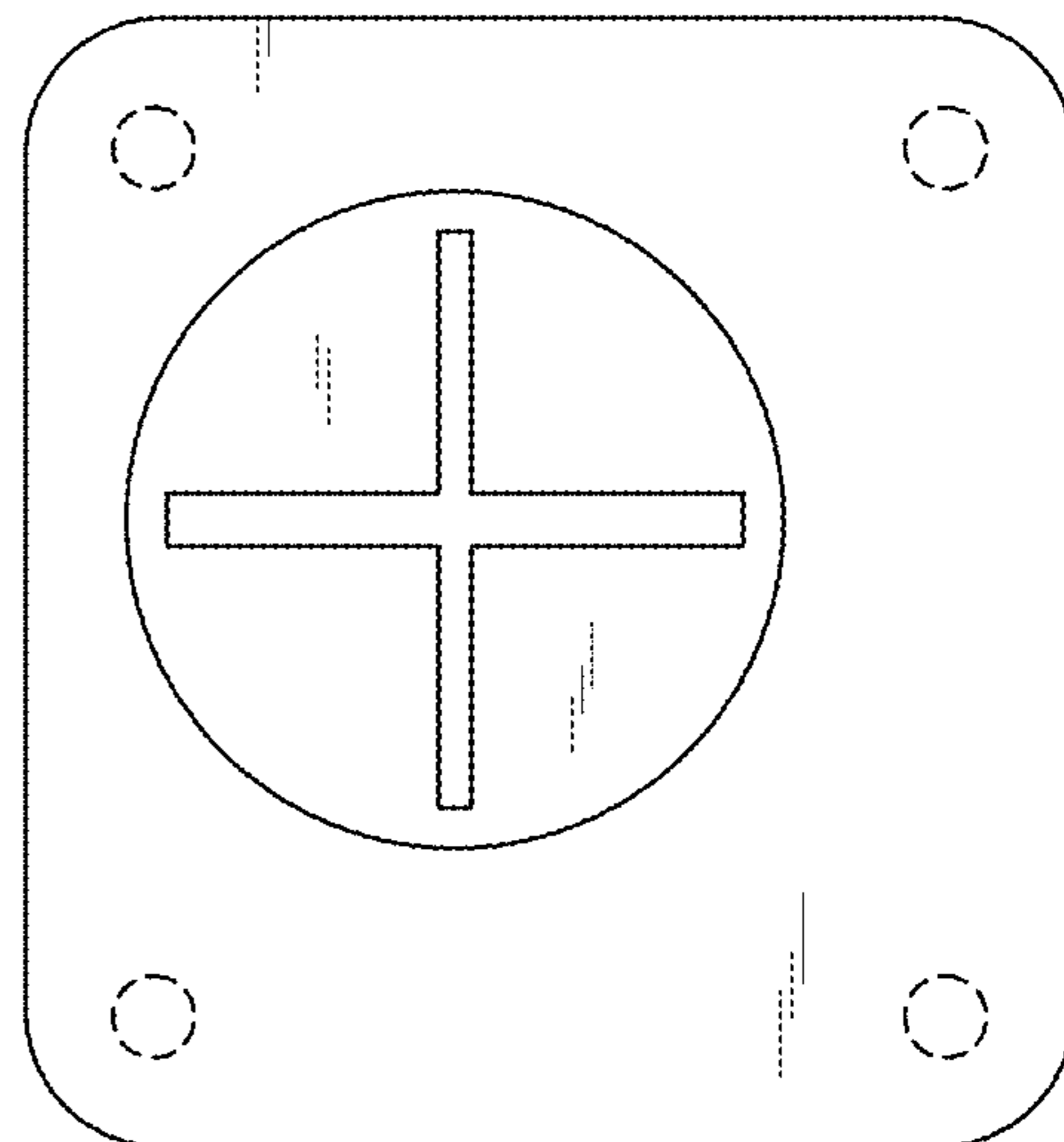


FIG. 4

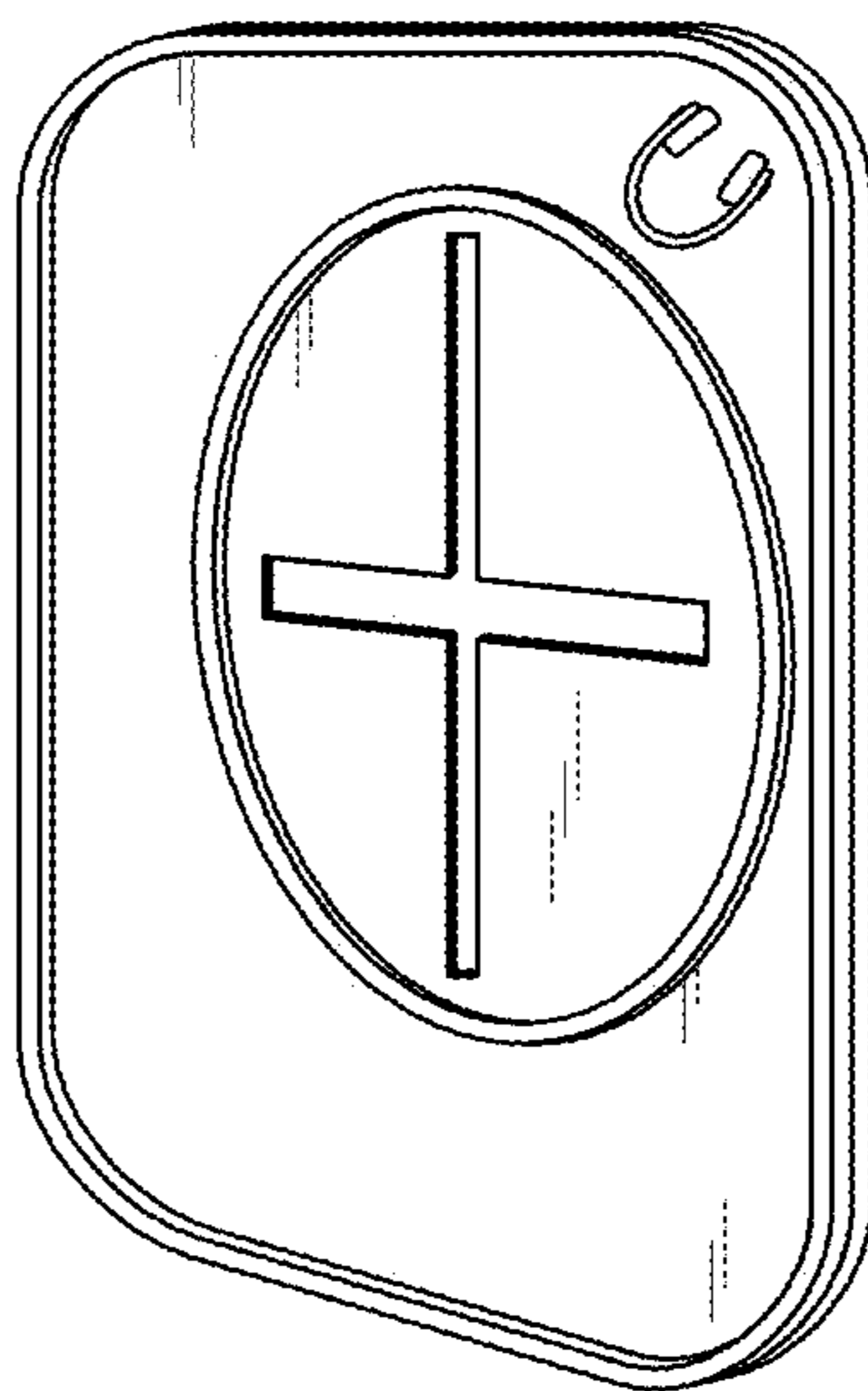


FIG. 5

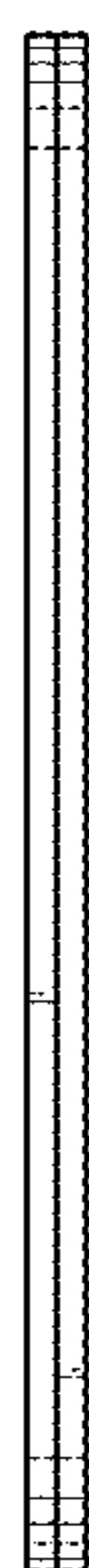


FIG. 6

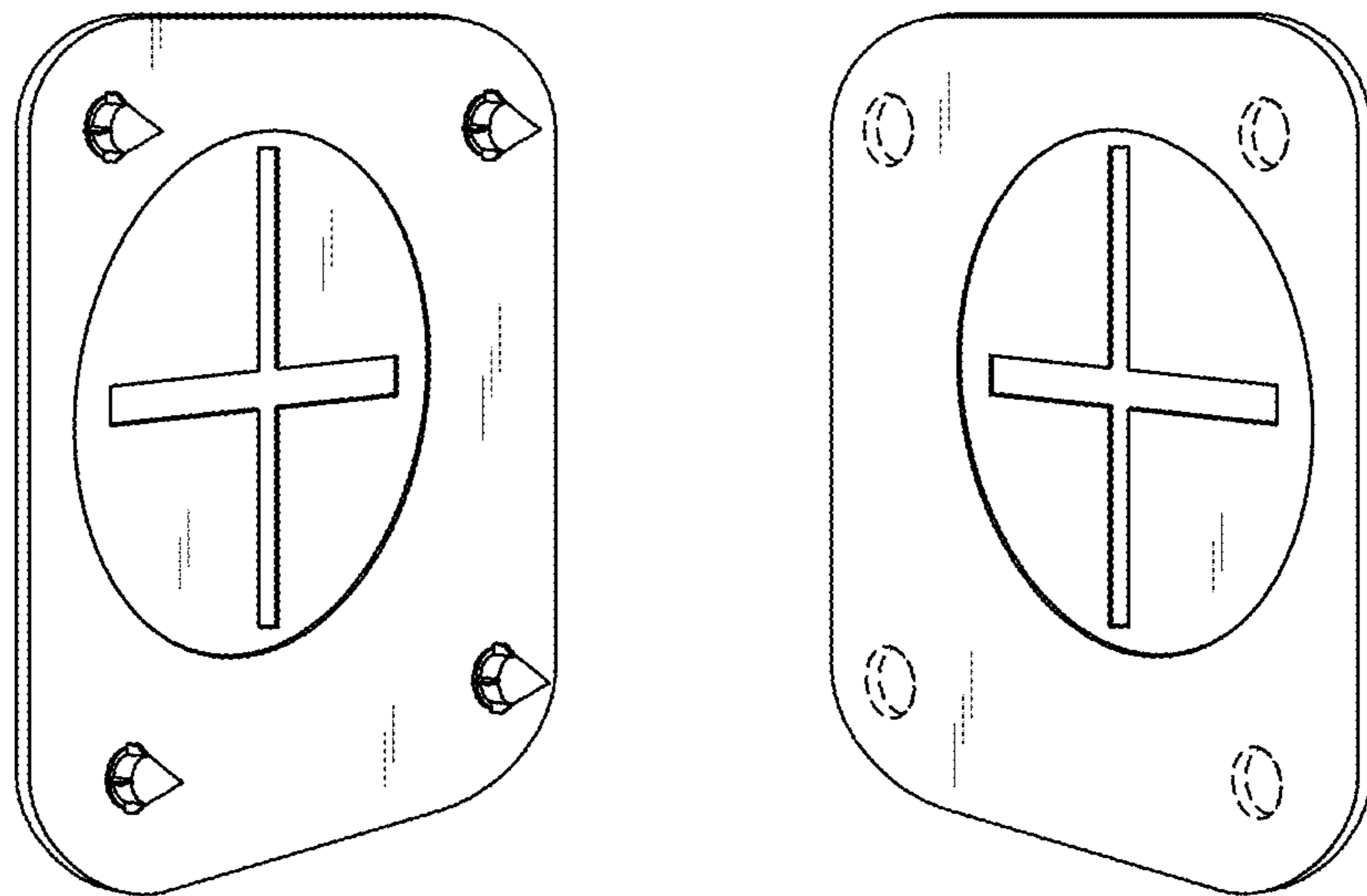


FIG. 7

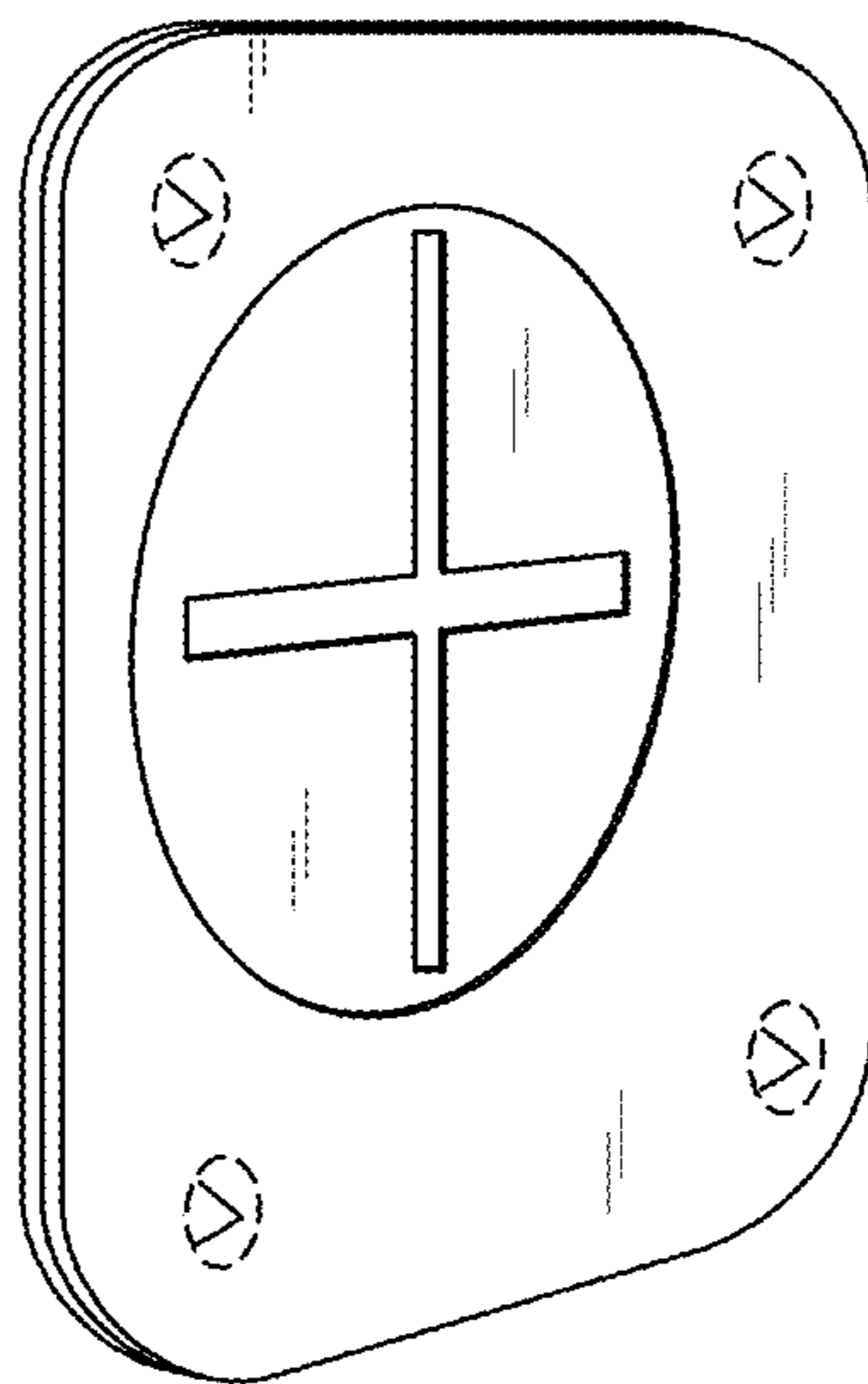


FIG. 8