



US00D919254S

(12) **United States Design Patent** (10) **Patent No.:** **US D919,254 S**  
**Del Biondi et al.** (45) **Date of Patent:** **\*\* May 18, 2021**

(54) **FOOTWEAR**  
(71) Applicant: **Crocs, Inc.**, Niwot, CO (US)  
(72) Inventors: **Stefano Del Biondi**, Noventa Padovana (IT); **Federico Fongher**, Villatora di Saonara (IT)

D801,011 S 10/2017 Del Biondi et al.  
D856,642 S \* 8/2019 Abadjian ..... D2/923  
D873,544 S 1/2020 Fongher et al.  
D874,797 S \* 2/2020 Fongher ..... D2/923  
2013/0145651 A1\* 6/2013 Bathum ..... A43B 3/101  
36/43

(73) Assignee: **Crocs, Inc.**, Broomfield, CO (US)  
(\*\*) Term: **15 Years**  
(21) Appl. No.: **29/679,744**  
(22) Filed: **Feb. 8, 2019**  
(51) **LOC (13) Cl.** ..... **02-04**  
(52) **U.S. Cl.**  
USPC ..... **D2/923**; D2/916  
(58) **Field of Classification Search**  
USPC ..... D2/896-900, 916-919, 923-926, 946,  
D2/969, 972, 976  
CPC .... A43B 1/10; A43B 3/10; A43B 3/12; A43B  
17/18; A43B 1/12  
See application file for complete search history.

**OTHER PUBLICATIONS**

Notice of Allowance with Search Report dated Feb. 24, 2020 received in related Taiwanese Patent Application No. 108304743 filed Aug. 8, 2019 (5 pages).  
Opposition filed by ACICAM dated Nov. 21, 2019 to the registration of the Industrial Design titled: "Calzado" received in related Colombian Patent Application No. NC2019/0008640 (36 pages).  
Opposition filed by Evacol S.A.S. dated Nov. 21, 2019 to the registration of the Industrial Design titled: "Calzado" received in related Colombian Patent Application No. NC2019/0008640 (37 pages).

\* cited by examiner

*Primary Examiner* — Rashida C. Walshon  
(74) *Attorney, Agent, or Firm* — Wilmer Cutler Pickering Hale and Dorr LLP

(56) **References Cited**

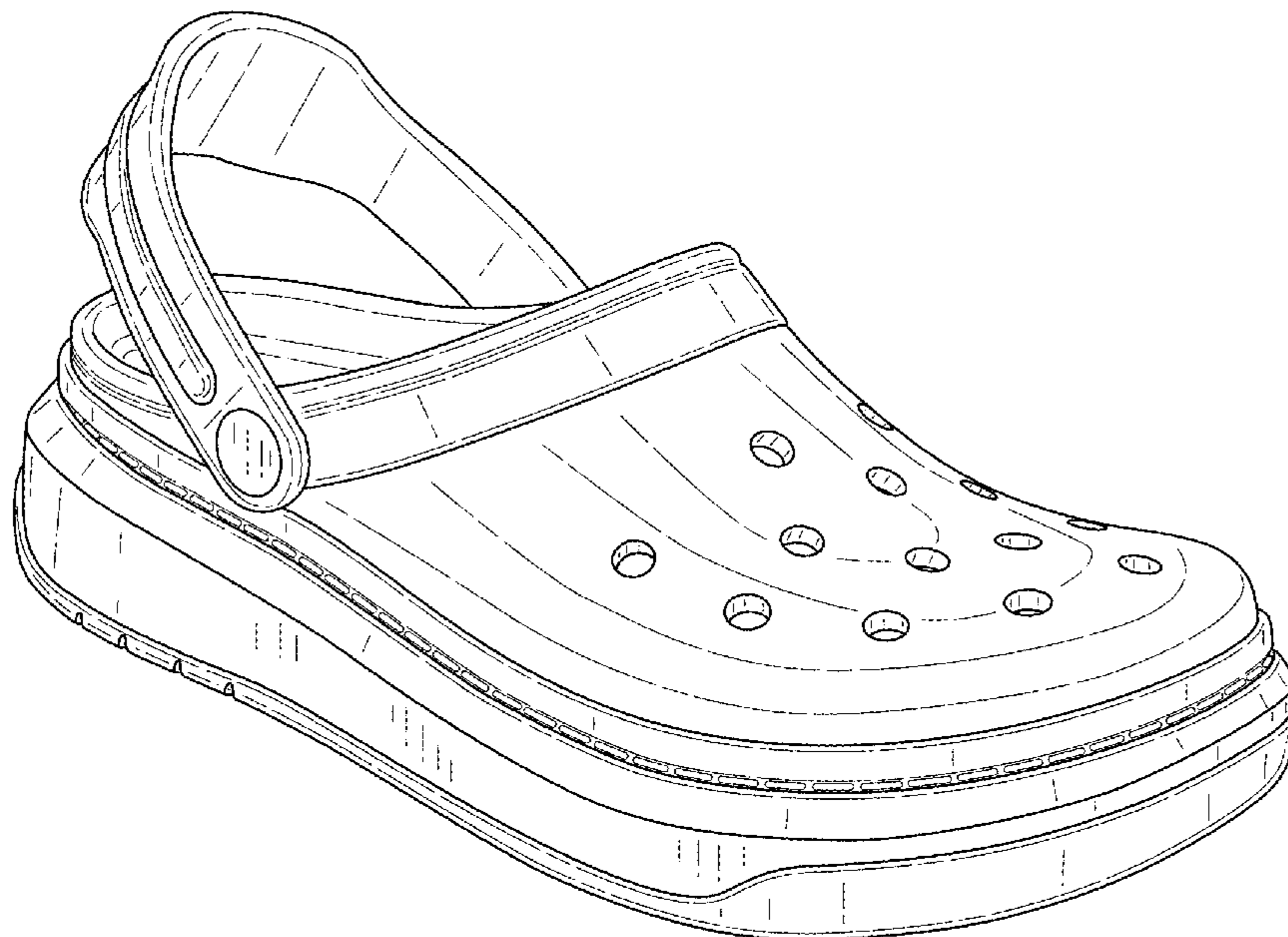
**U.S. PATENT DOCUMENTS**

D517,789 S 3/2006 Seamans  
D545,032 S 6/2007 Wolf  
D610,784 S 3/2010 Del Biondi  
D624,733 S 10/2010 O'Boyle et al.  
D642,773 S \* 8/2011 Liow ..... D2/896  
D650,157 S \* 12/2011 Liow ..... D2/923  
D691,351 S \* 10/2013 Pugazhenthii ..... D2/896  
D709,677 S \* 7/2014 del Biondi ..... D2/923  
D726,397 S 4/2015 Del Biondi et al.  
D732,808 S \* 6/2015 Del Biondi ..... D2/923  
D762,953 S \* 8/2016 Del Biondi ..... D2/923  
D771,917 S 11/2016 Del Biondi et al.  
D787,789 S \* 5/2017 Del Biondi ..... D2/923

**DESCRIPTION**

FIG. 1 is a front perspective view of footwear;  
FIG. 2 is a front view thereof;  
FIG. 3 is a back view thereof;  
FIG. 4 is an outer side elevational view thereof;  
FIG. 5 is an inner side elevational view thereof;  
FIG. 6 is a top view thereof; and,  
FIG. 7 is a bottom view thereof.  
The portions shown in dashed lines form no part of the claimed design.

**1 Claim, 7 Drawing Sheets**



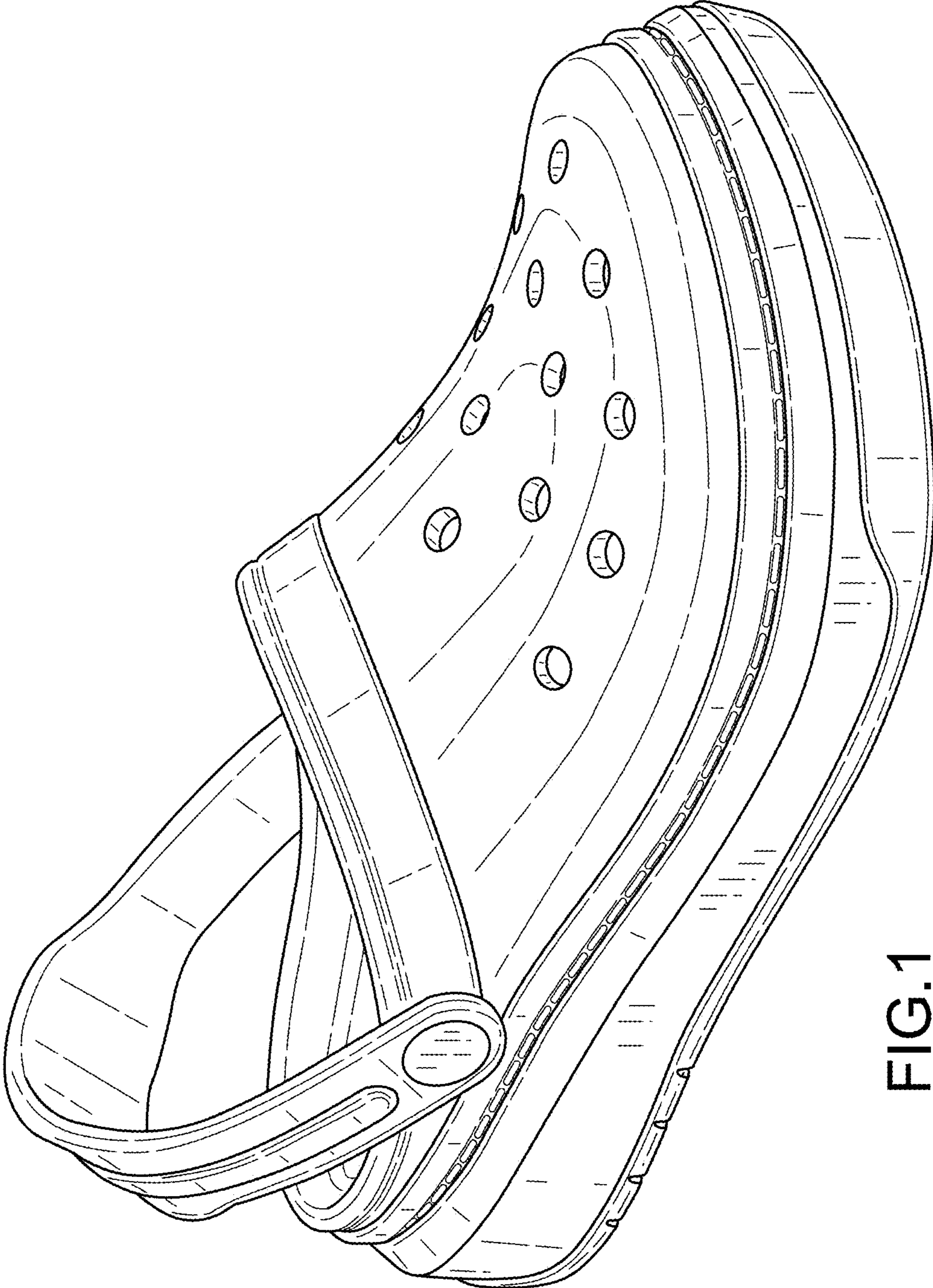


FIG.1

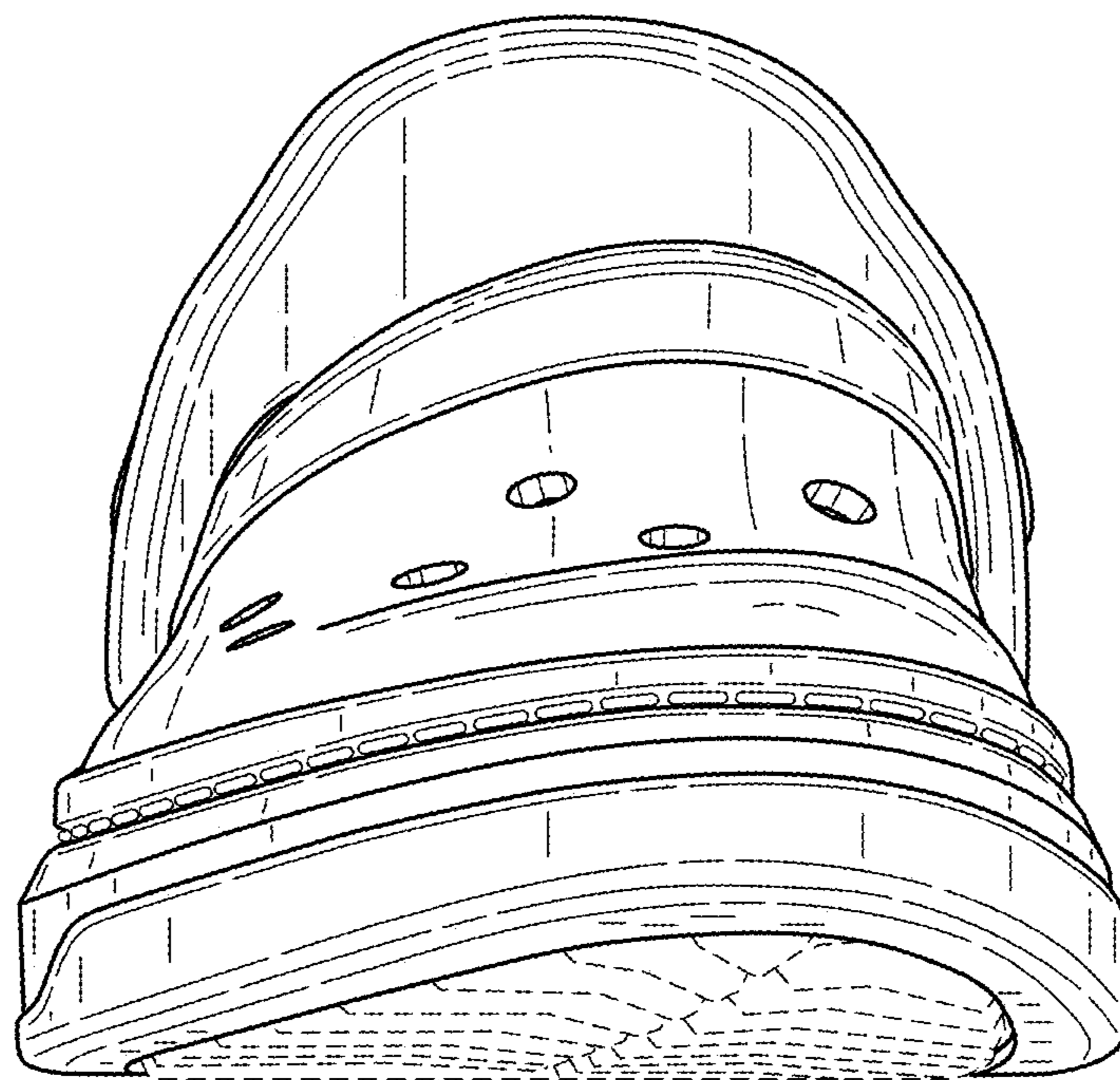


FIG.2

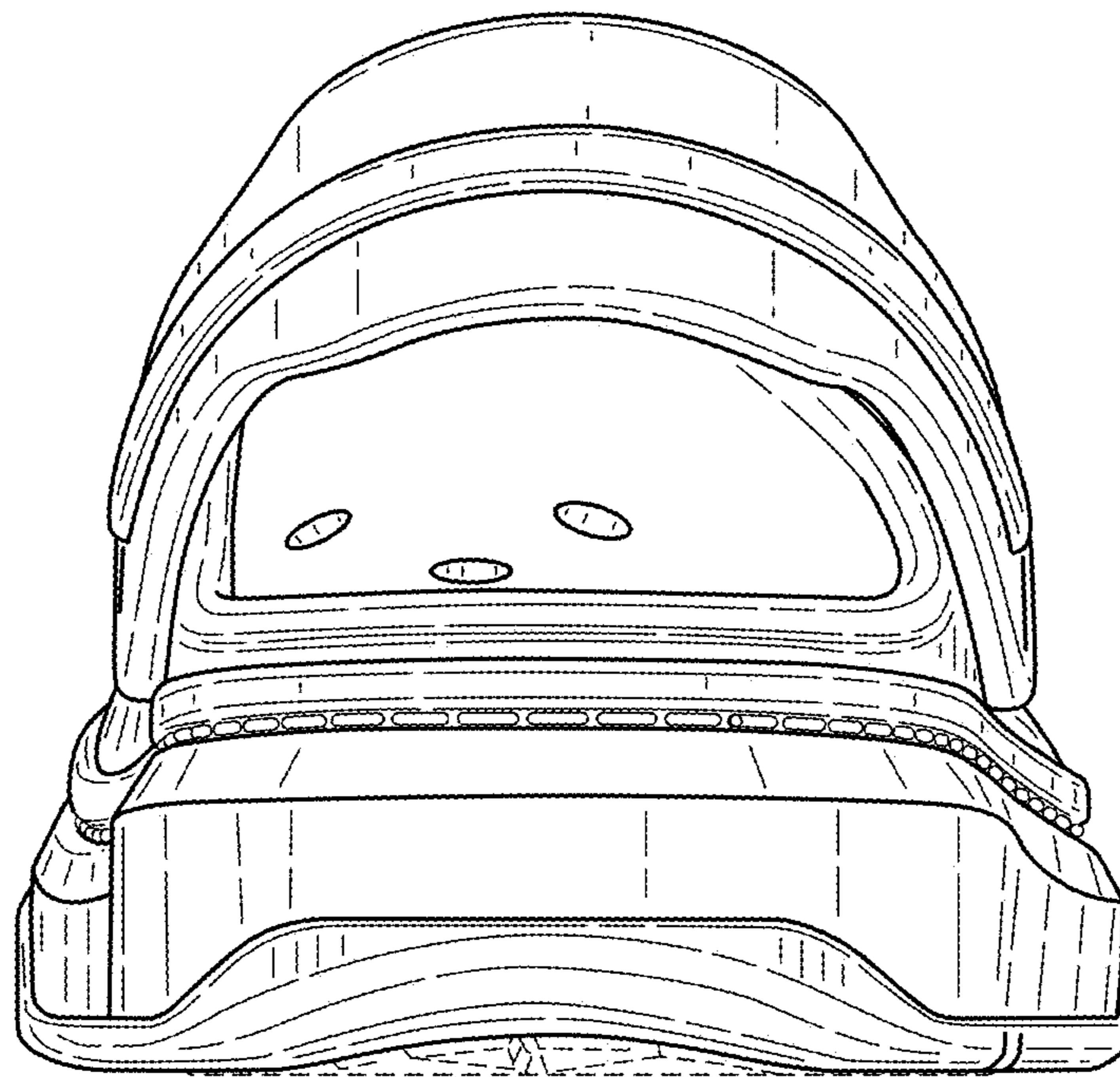


FIG.3

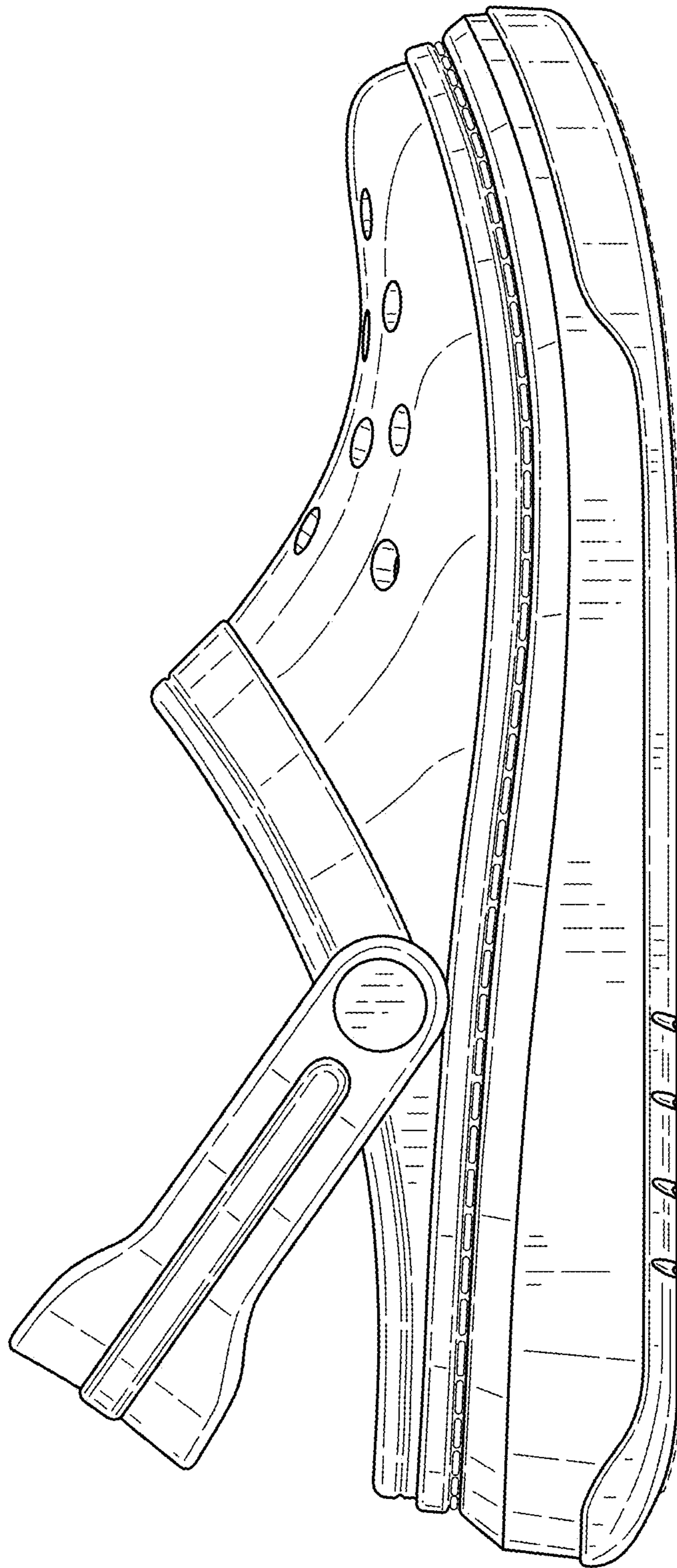


FIG.4

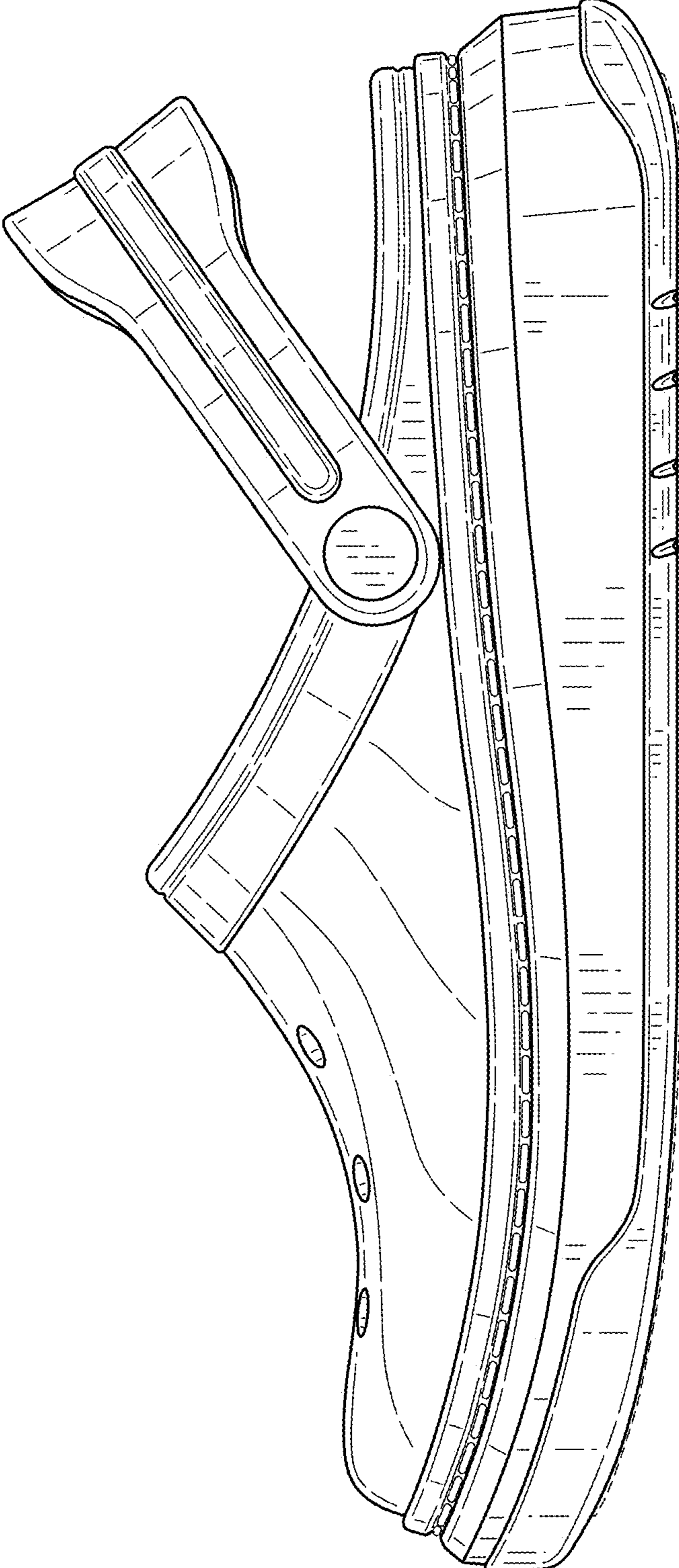


FIG.5

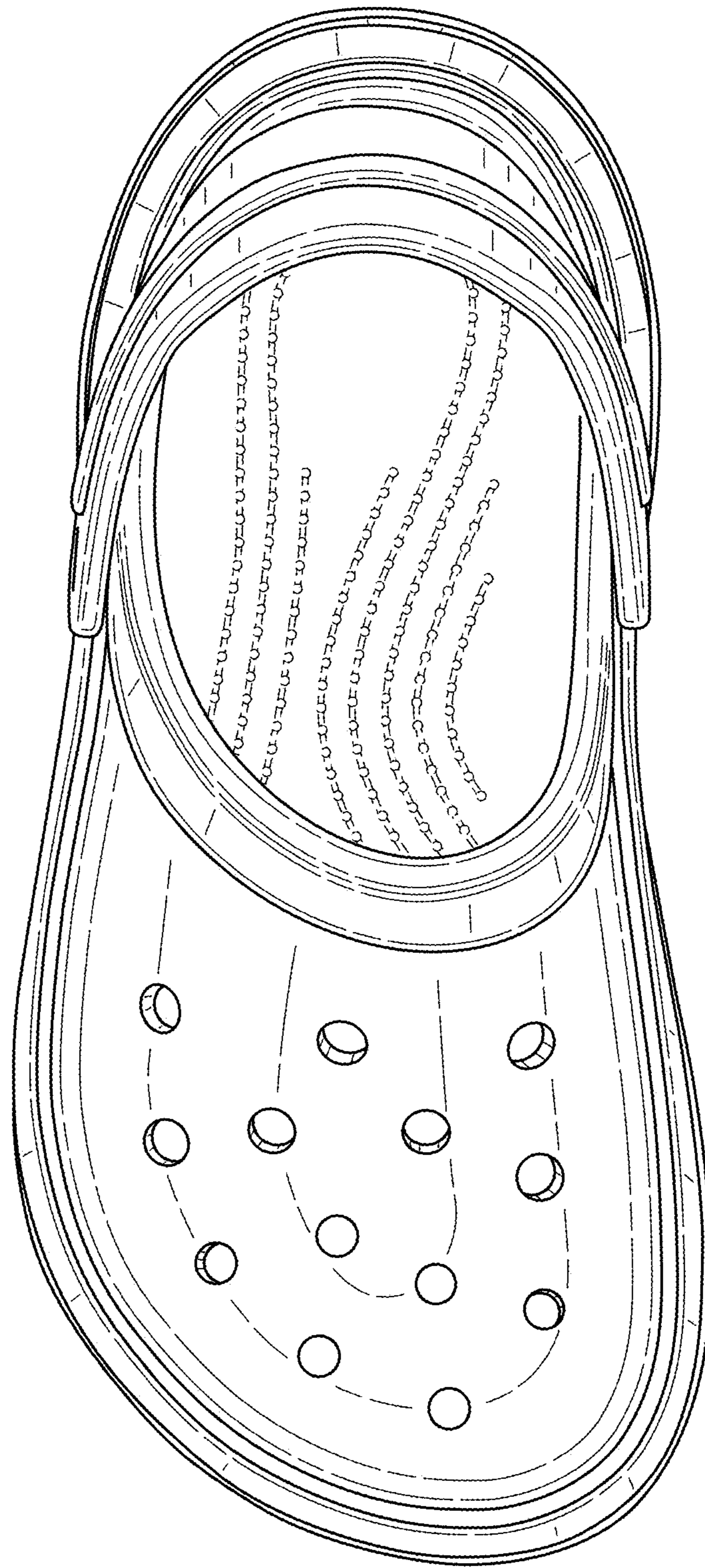


FIG.6

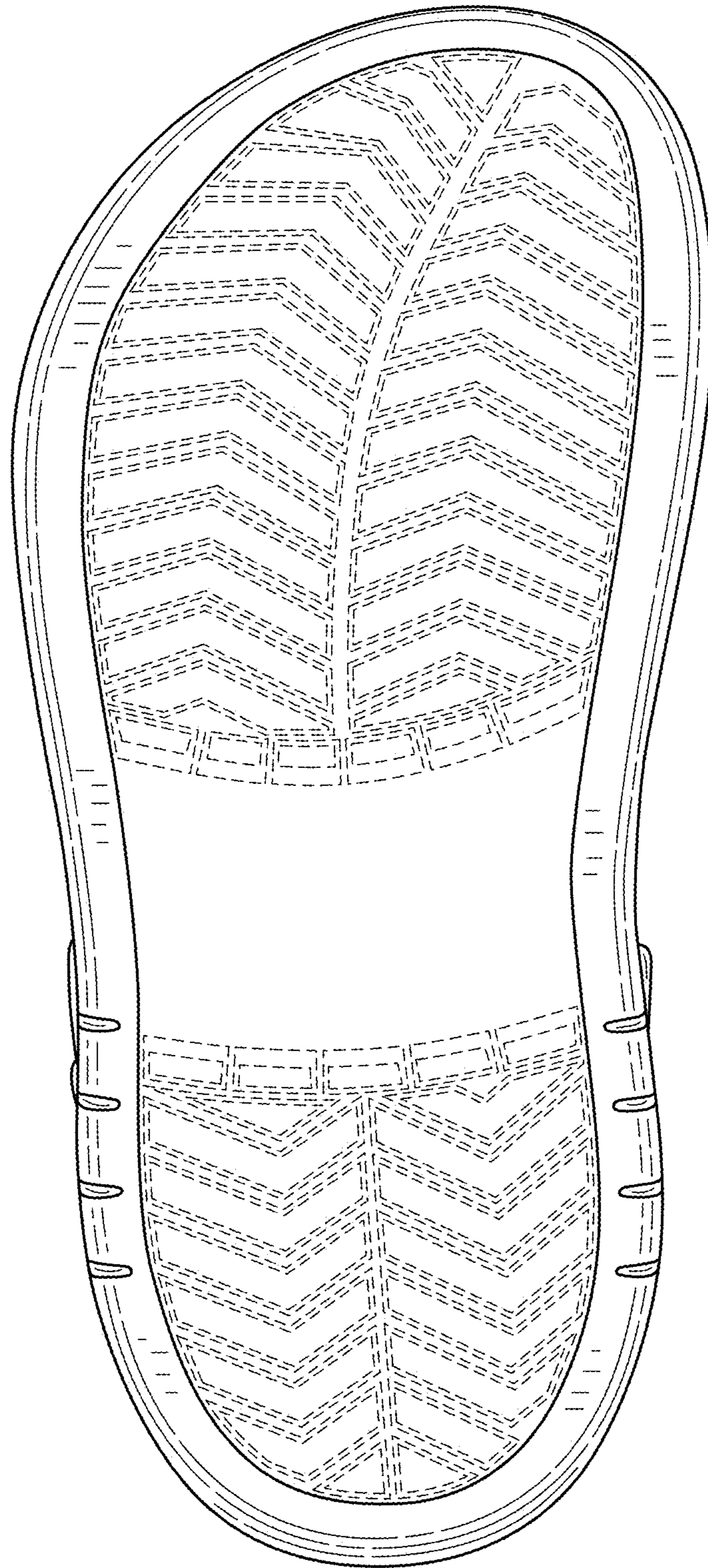


FIG.7