



US00D919235S

(12) **United States Design Patent**  
**Li**

(10) **Patent No.:** **US D919,235 S**

(45) **Date of Patent:** **\*\* May 18, 2021**

(54) **TACTICAL PANTS**

(71) Applicant: **Guangzhou Peize Trade Co., Ltd,**  
Guangzhou (CN)

(72) Inventor: **Jinzhi Li,** Guangzhou (CN)

(\*\*) Term: **15 Years**

(21) Appl. No.: **29/744,049**

(22) Filed: **Jul. 27, 2020**

(51) **LOC (13) Cl.** ..... **02-02**

(52) **U.S. Cl.**  
USPC ..... **D2/742**

(58) **Field of Classification Search**  
USPC ..... D2/742, 738, 744  
CPC ... A41D 1/04; A41D 1/06; A41D 1/08; A41D  
1/084

See application file for complete search history.

(56) **References Cited**

**U.S. PATENT DOCUMENTS**

- 5,551,084 A \* 9/1996 Freese, III ..... A62B 17/003  
2/23
- 6,108,819 A \* 8/2000 DeBaene ..... A41D 1/067  
2/227
- D536,157 S \* 2/2007 Kimmel ..... D2/742
- D591,482 S \* 5/2009 Ramirez ..... D2/742
- D624,281 S 9/2010 Richardson, Jr.
- D640,041 S 6/2011 Flora et al.
- D641,959 S \* 7/2011 Abrams ..... D2/742
- D648,922 S 11/2011 Evans et al.

- D674,992 S \* 1/2013 Abbevik ..... D2/742
- D690,083 S \* 9/2013 Grosbol ..... D2/742
- D818,670 S 5/2018 Silvestre et al.
- D822,948 S \* 7/2018 Miller ..... D2/742
- D838,438 S \* 1/2019 Luttrell ..... D2/742
- D852,461 S \* 7/2019 Grosbol ..... D2/742
- 2005/0229292 A1 \* 10/2005 Watkins ..... A41D 1/067  
2/227
- 2012/0117705 A1 \* 5/2012 Hawkins ..... A41F 9/00  
2/23
- 2020/0359722 A1 \* 11/2020 Cleghorn ..... A41D 27/20

\* cited by examiner

Primary Examiner — R. Johnson

(74) *Attorney, Agent, or Firm* — Runit Ranjit Kanakia

(57) **CLAIM**

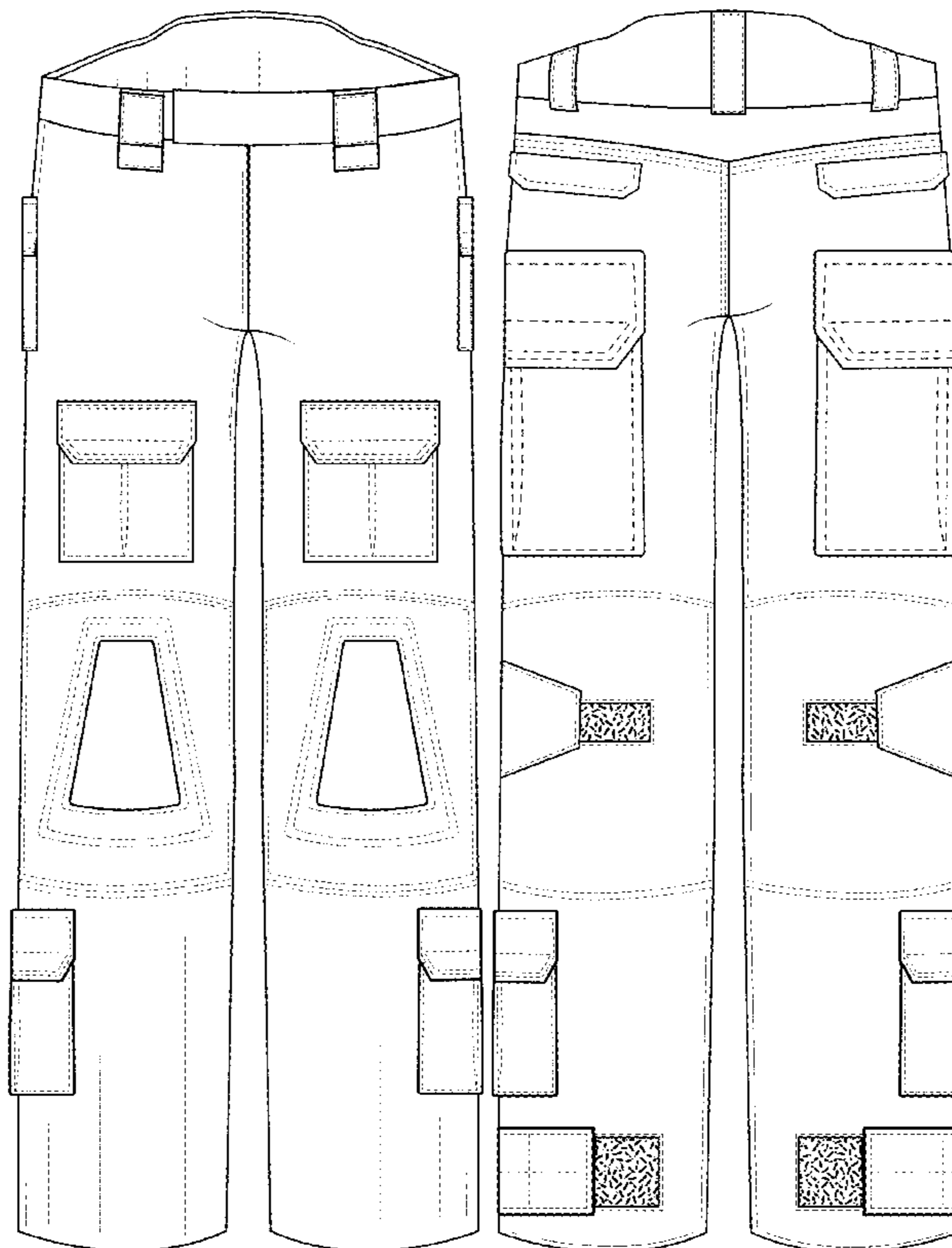
The ornamental design for tactical pants, as shown and described.

**DESCRIPTION**

FIG. 1 is a front perspective view of tactical pants showing my new design;  
 FIG. 2 is a rear perspective view thereof;  
 FIG. 3 is a front view thereof;  
 FIG. 4 is a rear view thereof;  
 FIG. 5 is a left side view thereof;  
 FIG. 6 is a right side view thereof;  
 FIG. 7 is a top view thereof; and,  
 FIG. 8 is a bottom view thereof.

The broken lines are only for stitching on the tactical pants and form no part of claimed design.

**1 Claim, 6 Drawing Sheets**



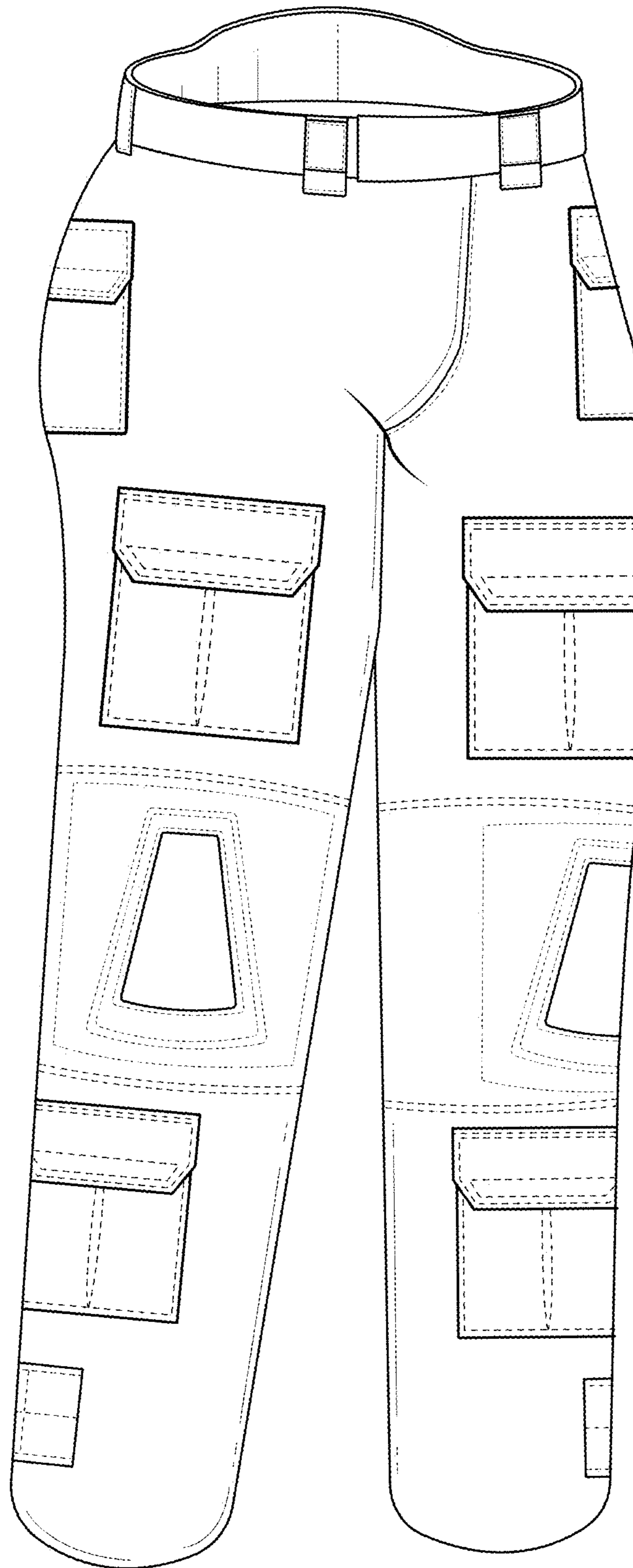


FIG. 1

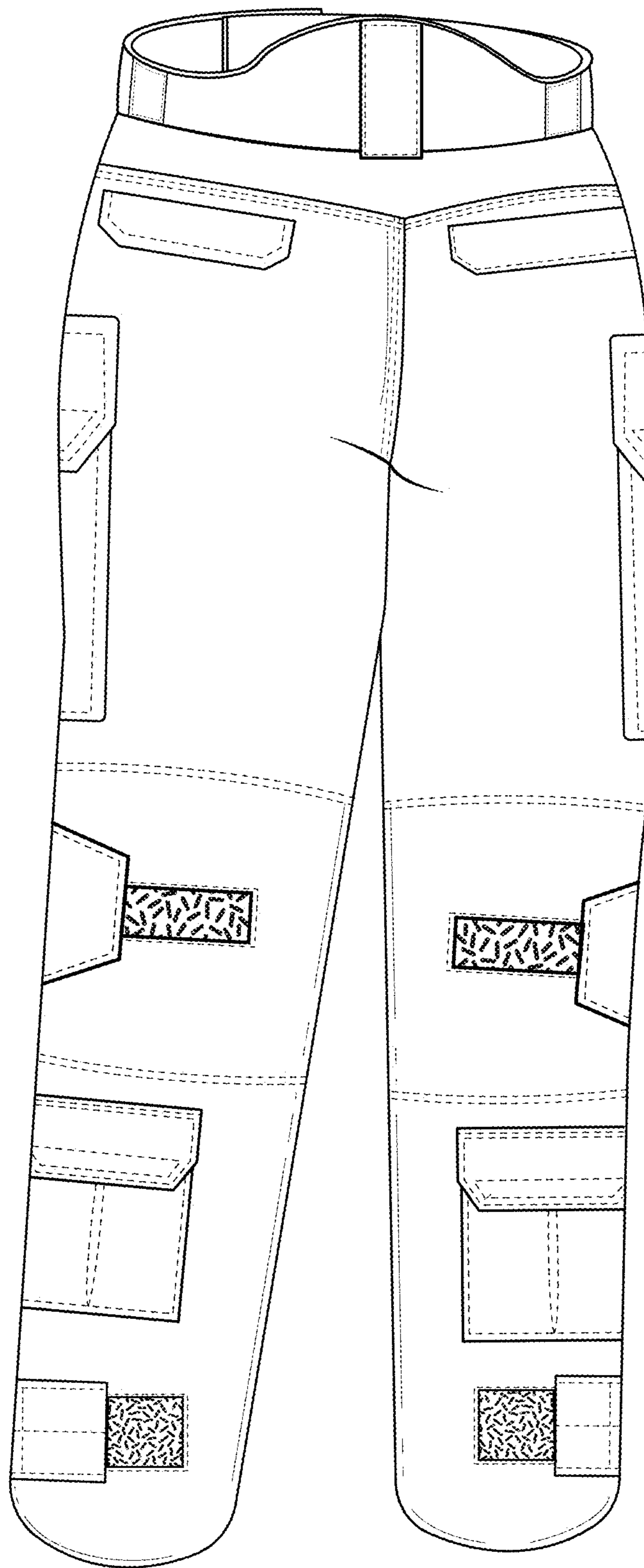


FIG. 2

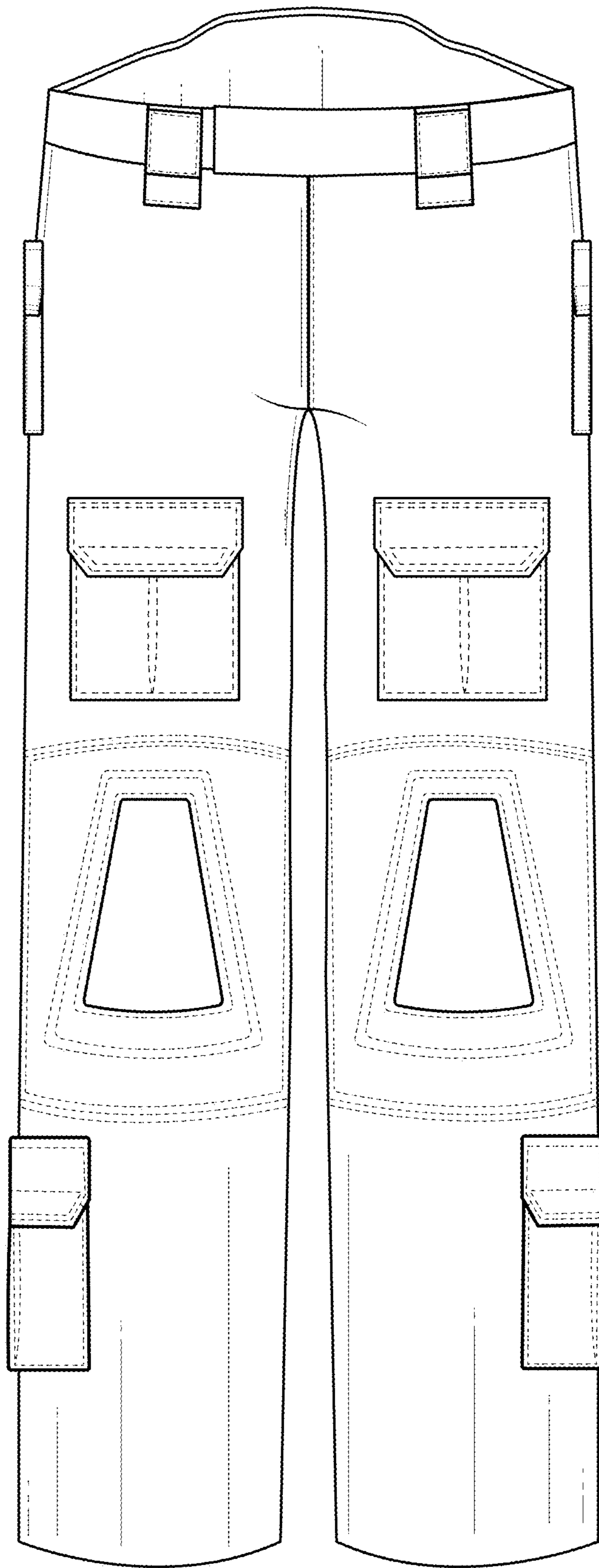


FIG. 3



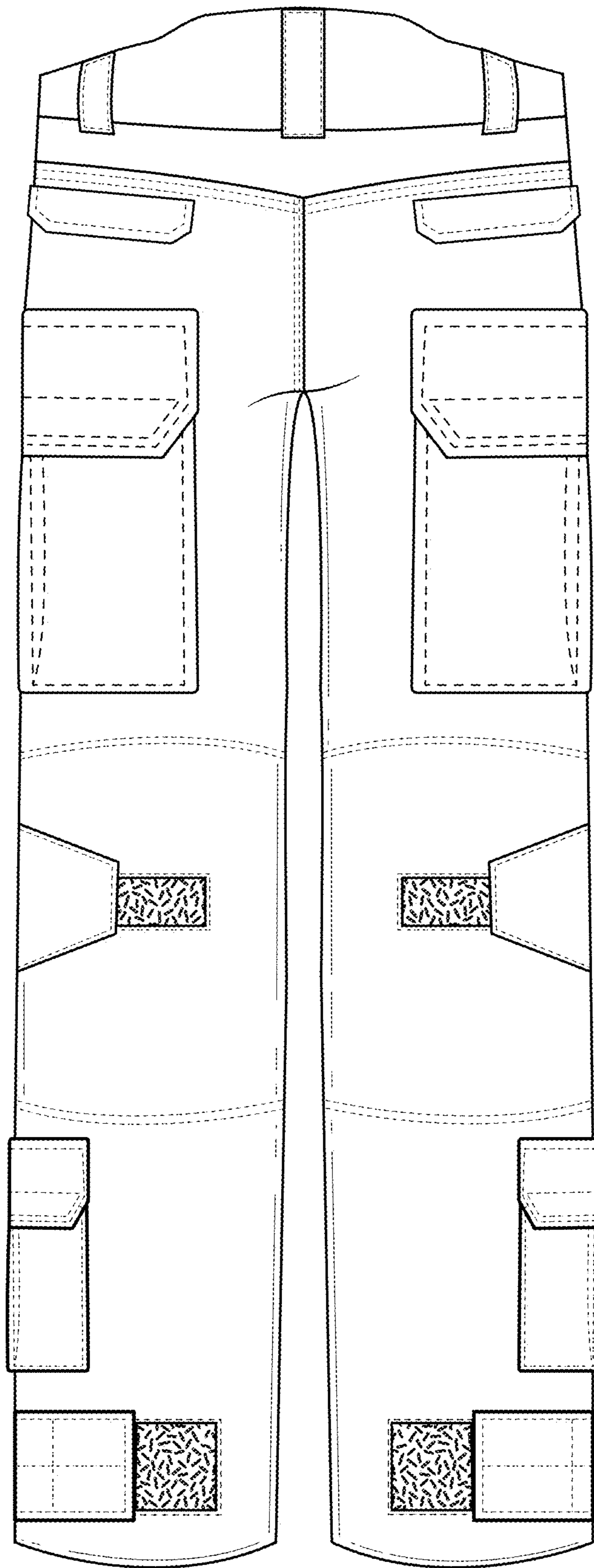


FIG. 4

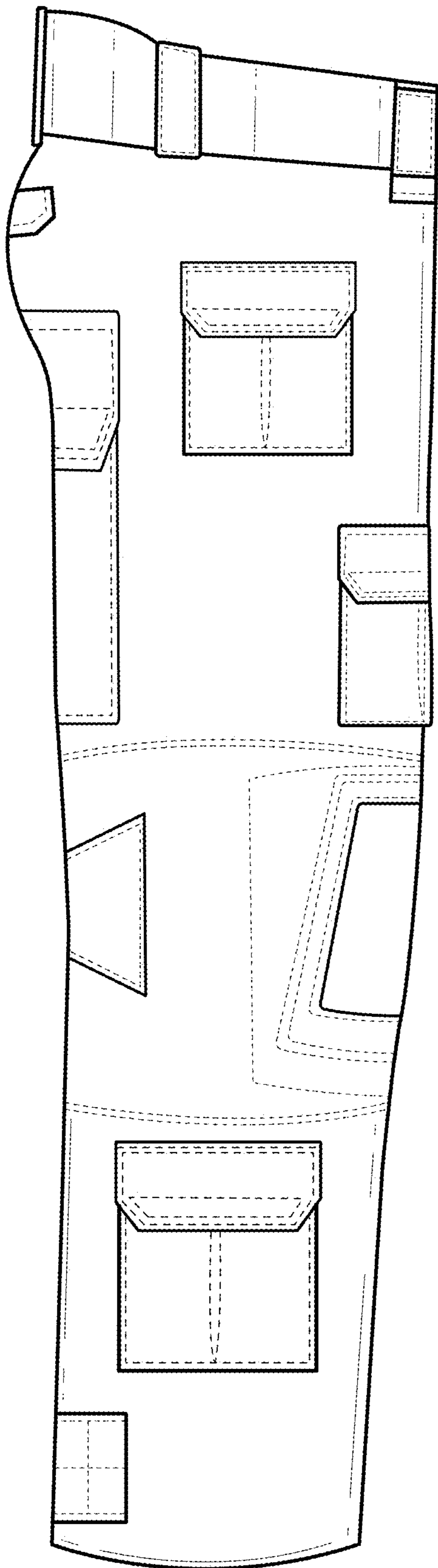


FIG. 5

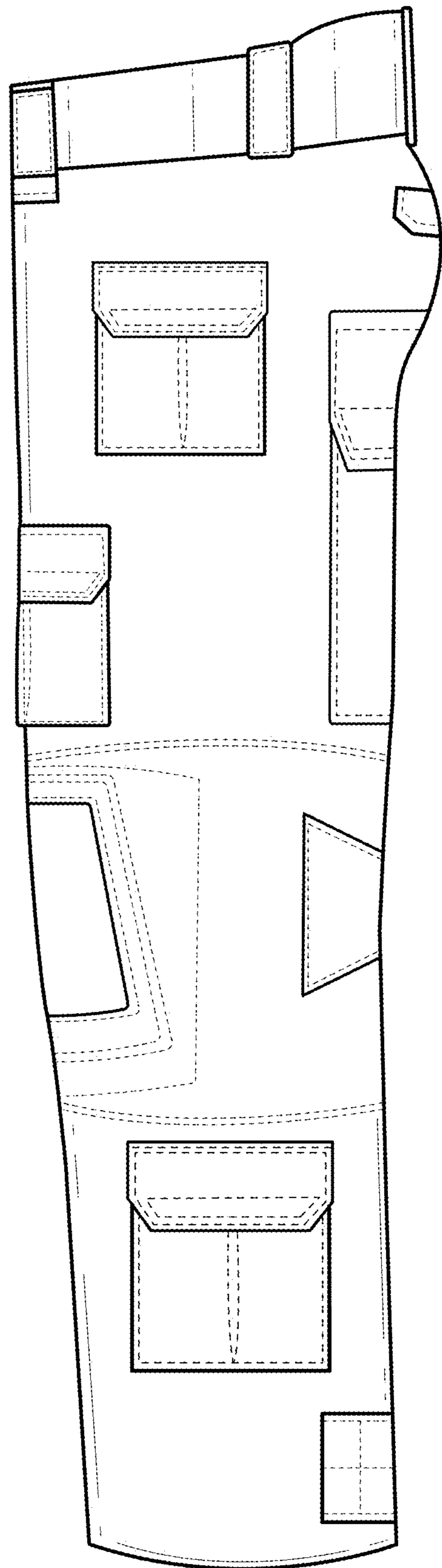


FIG. 6

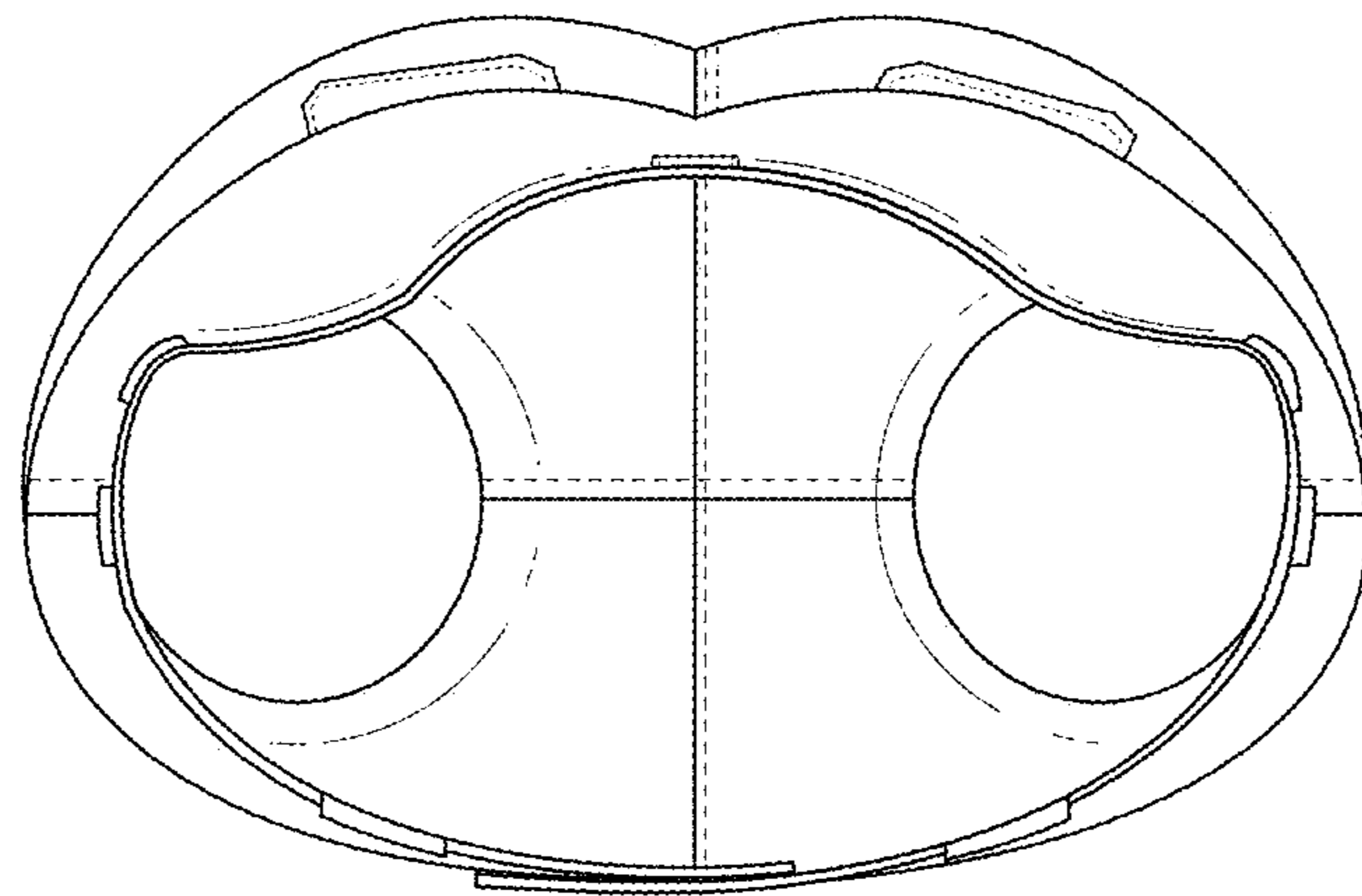


FIG. 7

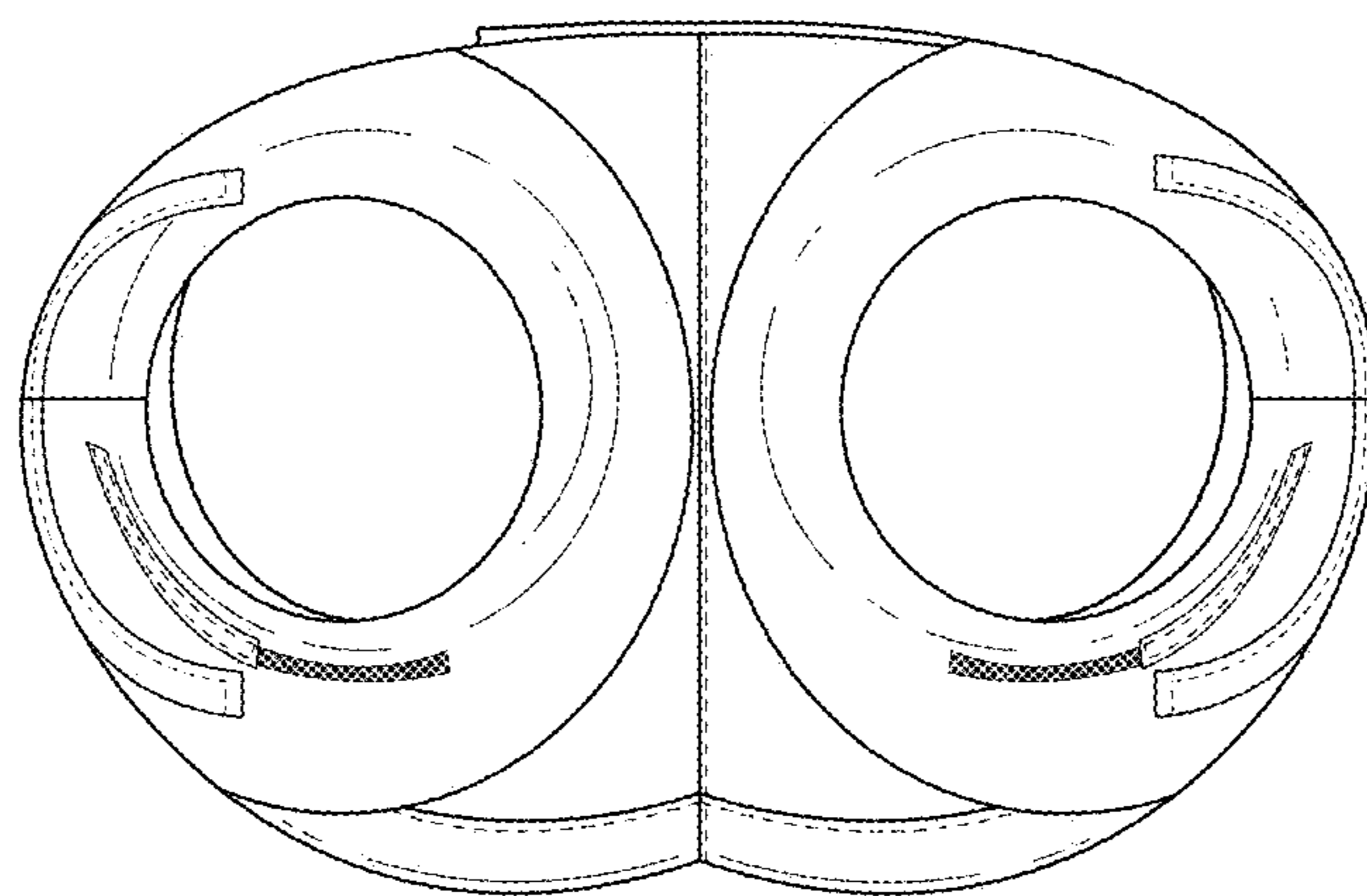


FIG. 8