



US00D919224S

(12) **United States Design Patent** (10) **Patent No.:** **US D919,224 S**
Mason et al. (45) **Date of Patent:** **** May 11, 2021**

(54) **LOAD TRANSFER PLATE POCKET
INTERNAL BRACING INSERT**

(71) Applicant: **Illinois Tool Works Inc.**, Glenview, IL
(US)

(72) Inventors: **Greg Stephen Mason**, Rochedale South
(AU); **David Graham Barnes**, Manly
(AU)

(73) Assignee: **Illinois Tool Works Inc.**, Glenview, IL
(US)

(**) Term: **15 Years**

(21) Appl. No.: **29/718,069**

(22) Filed: **Dec. 20, 2019**

(51) **LOC (13) Cl.** **12-05**

(52) **U.S. Cl.**
USPC **D34/35**

(58) **Field of Classification Search**
USPC D34/12-39; D8/382, 356, 349, 353, 354,
D8/380, 366, 371; D25/119; D15/135,
D15/136

CPC A47B 96/061; A47B 57/562; A47B 73/00;
A47B 81/007; B28B 7/0014

See application file for complete search history.

(56) **References Cited**

U.S. PATENT DOCUMENTS

2,094,853	A	10/1937	Shaw	
2,181,005	A	11/1939	Westcott	
2,316,233	A	4/1943	Fischer	
2,349,983	A	5/1944	Musall	
2,654,297	A	10/1953	Nettleton	
3,559,541	A	2/1971	Watstein	
4,283,900	A *	8/1981	Schubert E04B 1/2604 403/402
4,733,513	A	3/1988	Schrader et al.	

(Continued)

OTHER PUBLICATIONS

Lowes Corner Bracket, announced Apr. 2019 [online], [site visited Dec. 29, 2020], Available from internet, URL: <https://www.lowes.com/pd/National-Hardware-8-in-Steel-Zinc-Plated-Corner-Brace/1000510825> (Year: 2019).*

(Continued)

Primary Examiner — George A Bugg
Assistant Examiner — Tamara L Hahn

(74) *Attorney, Agent, or Firm* — Neal, Gerber & Eisenberg LLP

(57) **CLAIM**

The ornamental design for a load transfer plate pocket internal bracing insert, as shown and described.

DESCRIPTION

This application is related to the following commonly owned co-pending patent application: U.S. application Ser. No. 16/723,010, entitled "Load Transfer Plate Apparatus". FIG. 1 is a top front perspective view of a load transfer plate pocket internal bracing insert of our new design.

FIG. 2 is a top view of the load transfer plate pocket internal bracing insert of FIG. 1.

FIG. 3 is bottom view of the load transfer plate pocket internal bracing insert of FIG. 1.

FIG. 4 is rear view of the load transfer plate pocket internal bracing insert of FIG. 1.

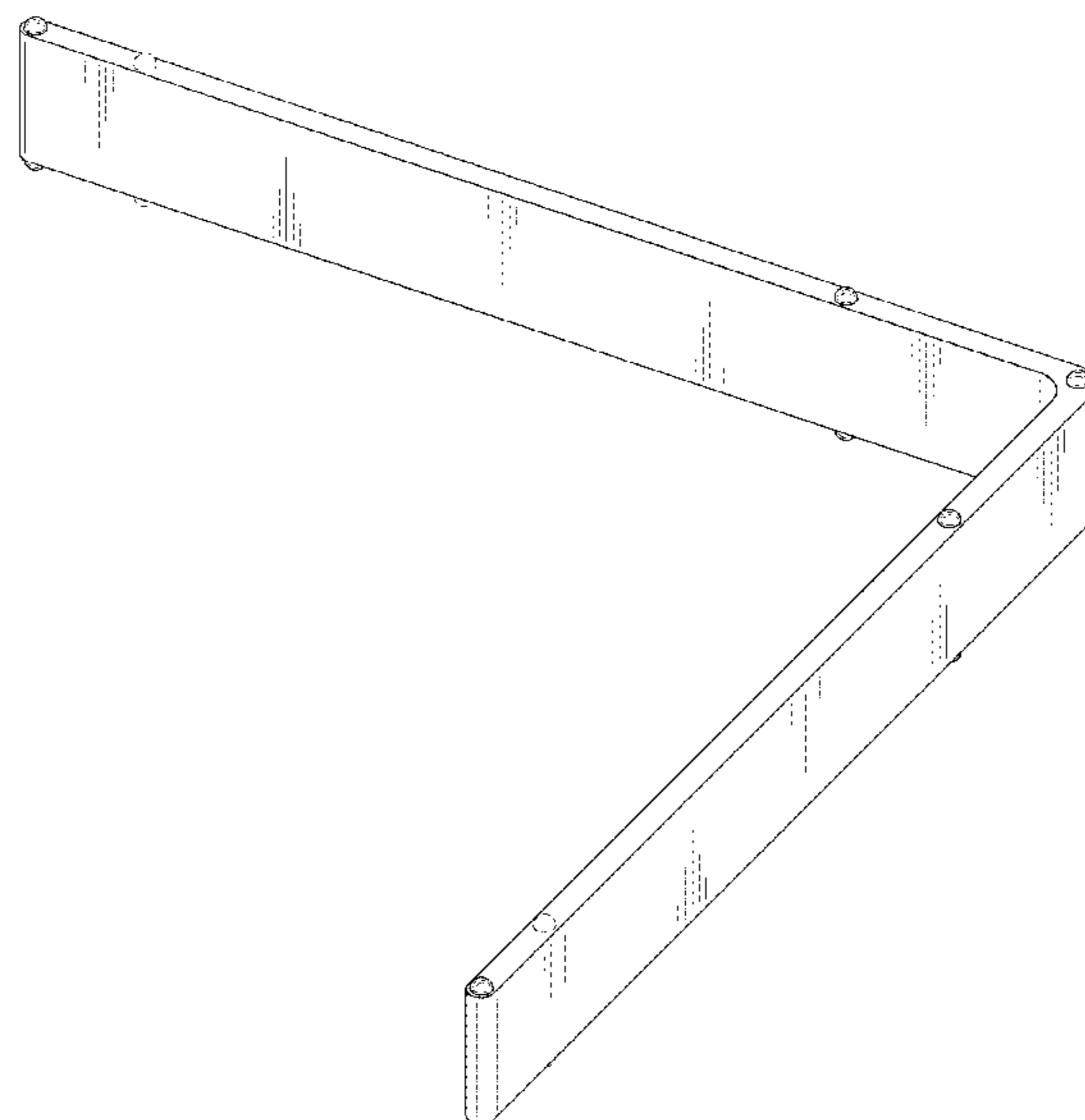
FIG. 5 is a front view of the load transfer plate pocket internal bracing insert of FIG. 1.

FIG. 6 is a left side view of the load transfer plate pocket internal bracing insert of FIG. 1; and,

FIG. 7 is a right side view of the load transfer plate pocket internal bracing insert of FIG. 1.

The broken lines in the drawing depict portions of the load transfer plate pocket internal bracing insert that form no part of the claimed design.

1 Claim, 5 Drawing Sheets



(56)

References Cited

U.S. PATENT DOCUMENTS

4,942,912 A 7/1990 Gakhar et al.
 5,005,331 A 4/1991 Shaw et al.
 5,216,862 A 6/1993 Shaw et al.
 5,458,433 A 10/1995 Stastny
 5,487,249 A 1/1996 Shaw et al.
 5,730,544 A 3/1998 Dils et al.
 6,019,546 A 2/2000 Ruiz
 6,145,262 A 11/2000 Schrader et al.
 6,354,760 B1 3/2002 Boxall et al.
 D474,395 S * 5/2003 Mueller D8/354
 6,775,952 B2 8/2004 Boxall et al.
 6,926,463 B2 8/2005 Shaw et al.
 7,004,443 B2 2/2006 Bennett
 7,228,666 B2 6/2007 Michiels
 7,338,230 B2 3/2008 Shaw et al.
 7,461,492 B1 12/2008 Francies, III
 7,481,031 B2 1/2009 Boxall et al.
 7,604,432 B2 10/2009 Shaw et al.
 7,637,689 B2 12/2009 Boxall et al.
 D608,625 S * 1/2010 Mercado D8/380
 7,716,890 B2 5/2010 Boxall et al.
 7,736,088 B2 6/2010 Boxall et al.
 7,748,928 B2 7/2010 Estes
 7,967,527 B2 6/2011 Estes et al.
 8,302,359 B2 11/2012 Boxall et al.
 8,303,210 B2 11/2012 Parkes et al.
 8,356,955 B2 1/2013 Nadler
 8,381,470 B2 2/2013 Boxall et al.
 8,465,222 B1 6/2013 Ghauch
 D690,188 S * 9/2013 Pontus D8/349
 8,573,884 B2 11/2013 Nadler
 D695,090 S * 12/2013 White D8/354
 8,627,626 B2 1/2014 Boxall et al.
 D698,623 S * 2/2014 Bird D8/354

8,672,579 B2 3/2014 Laiho
 9,340,969 B1 5/2016 Shaw
 9,574,309 B2 2/2017 McDonald
 D805,880 S * 12/2017 Bright D8/381
 D822,306 S * 7/2018 Veenhof D34/35
 D828,743 S * 9/2018 Bright D8/380
 10,119,281 B2 11/2018 Connell
 D850,245 S * 6/2019 Bright D8/380
 D858,258 S * 9/2019 Forsythe D8/356
 D881,500 S * 4/2020 Melvin D34/35
 D902,020 S * 11/2020 Ryan D8/381
 2002/0136627 A1 * 9/2002 Albertyn B66F 9/12
 414/785
 2005/0036835 A1 2/2005 Shaw
 2006/0140721 A1 6/2006 Shaw
 2006/0182496 A1 8/2006 Shaw
 2006/0275078 A1 12/2006 Shaw et al.
 2007/0231068 A1 10/2007 Francies
 2007/0269266 A1 11/2007 Kelly et al.
 2009/0065308 A1 * 3/2009 Bolzoni B66F 9/12
 187/237
 2010/0054858 A1 3/2010 Mayo et al.
 2014/0246272 A1 * 9/2014 Szlezak B23K 26/24
 187/237
 2015/0204026 A1 7/2015 McDonald
 2017/0096815 A1 4/2017 Parkes
 2018/0135297 A1 5/2018 Parkes et al.
 2018/0171629 A1 6/2018 Parkes
 2018/0202145 A1 7/2018 Hansort

OTHER PUBLICATIONS

Iron Support L Bracket, announced Sep. 2019 [online], [site visited Dec. 29, 2020], Available from internet, URL: <https://ironsupports.com/products/standard-front-mount-countertop-l-bracket> (Year: 2019).*

* cited by examiner

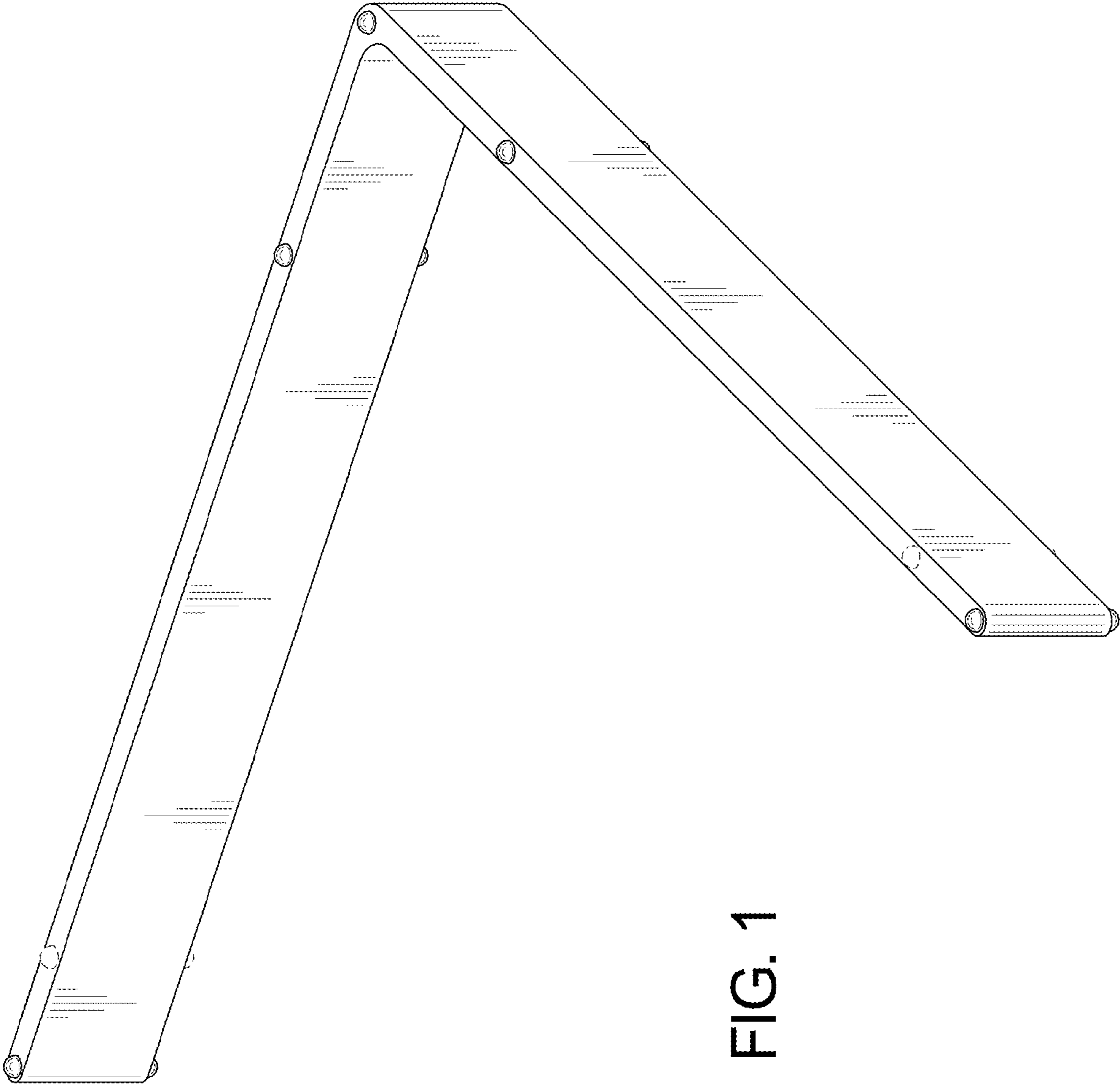


FIG. 1

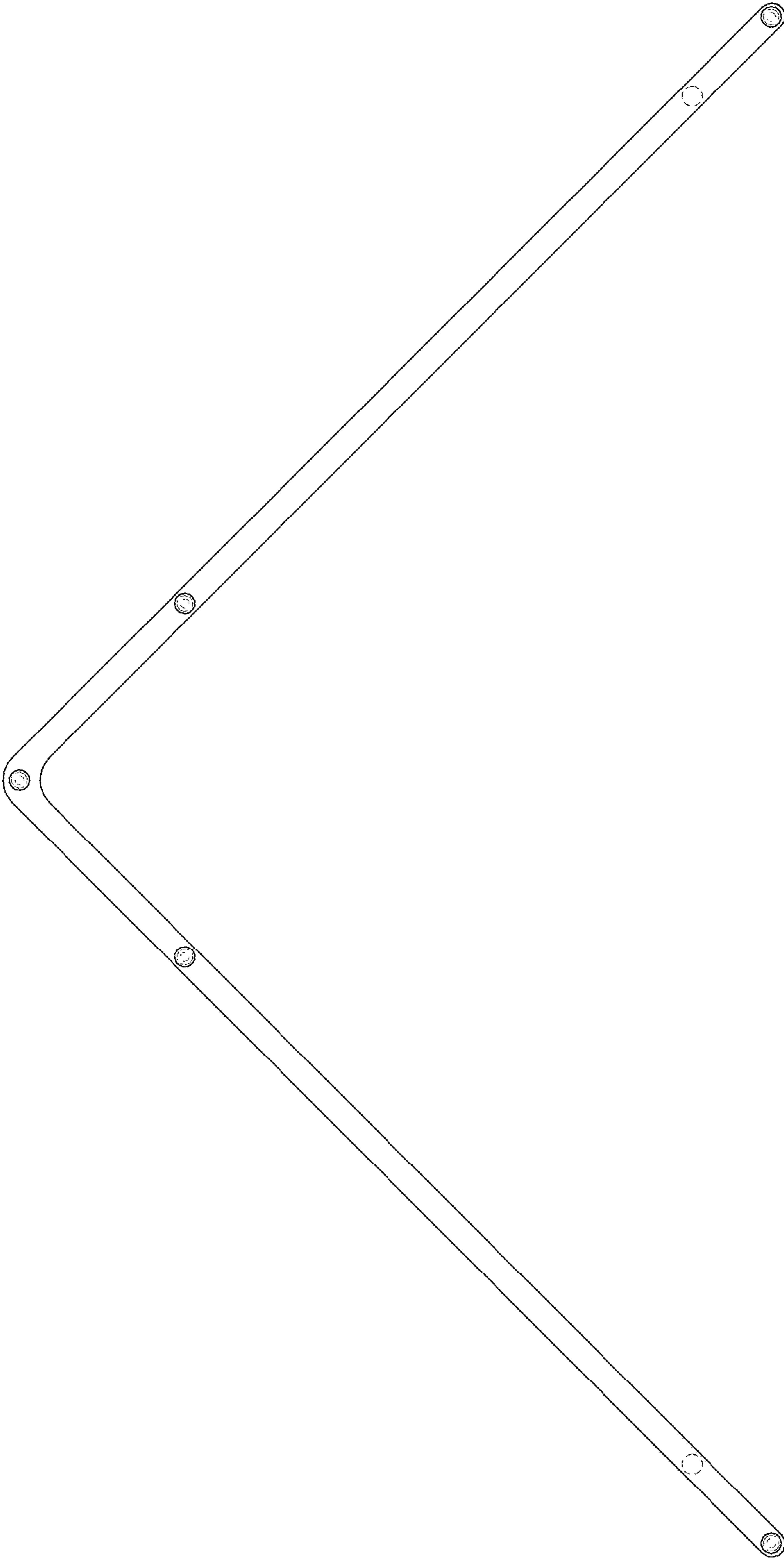


FIG. 2

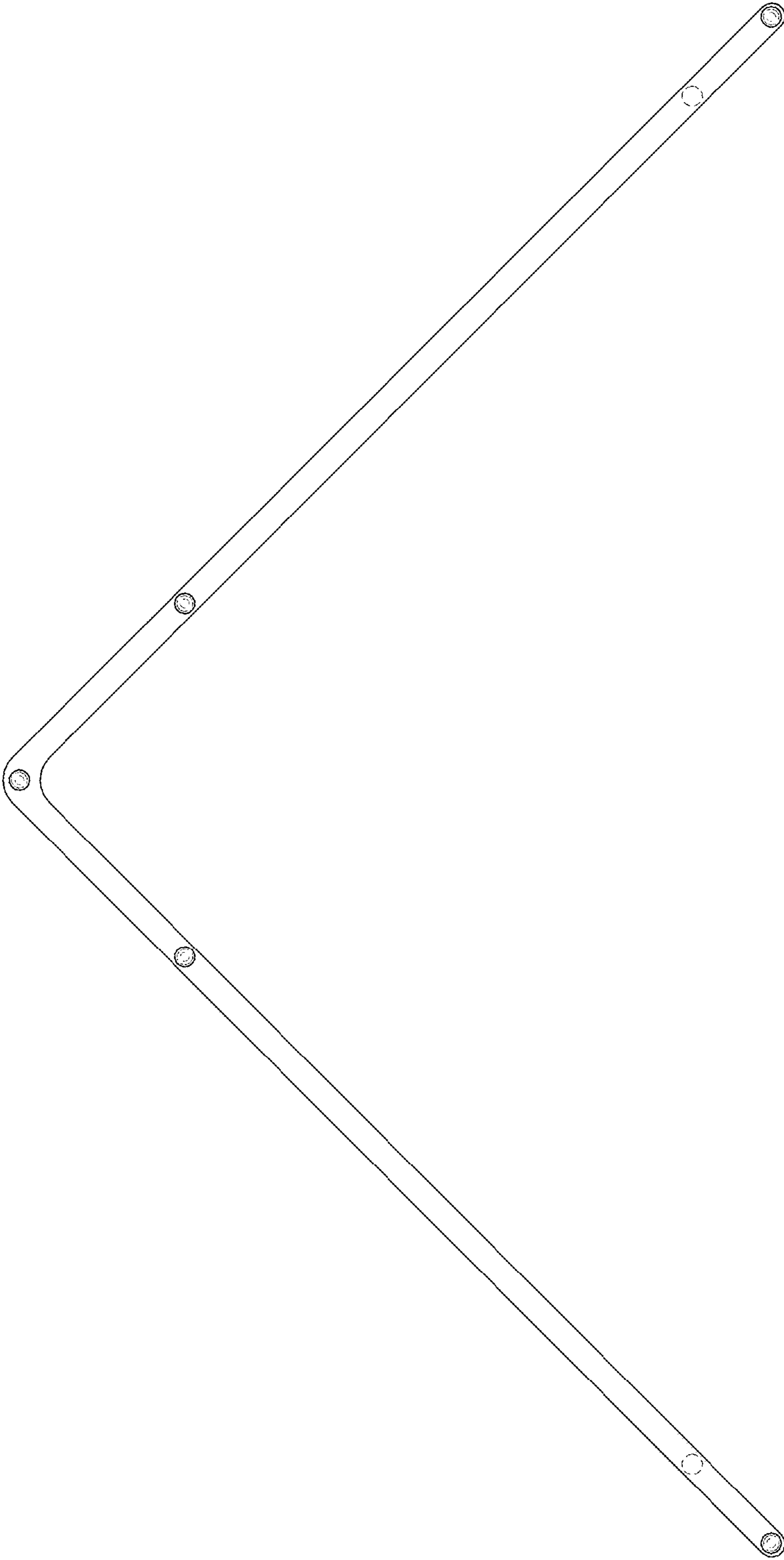


FIG. 3

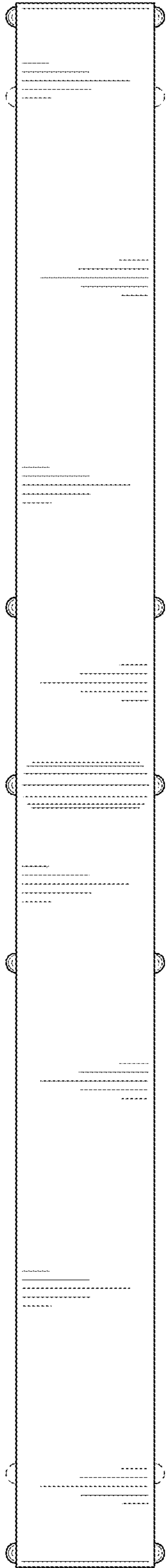


FIG. 4

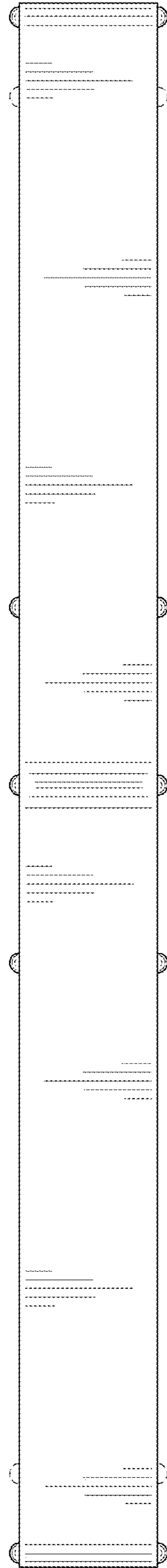


FIG. 5

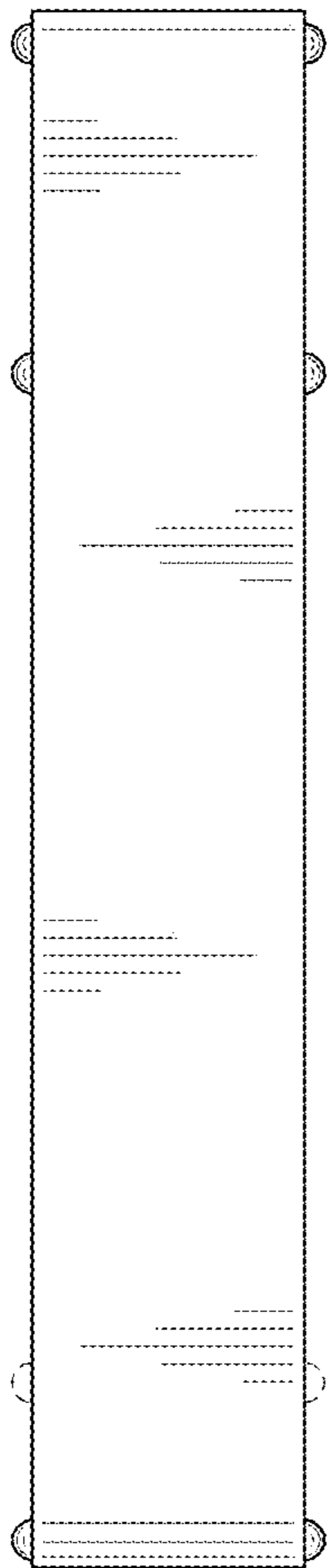


FIG. 6

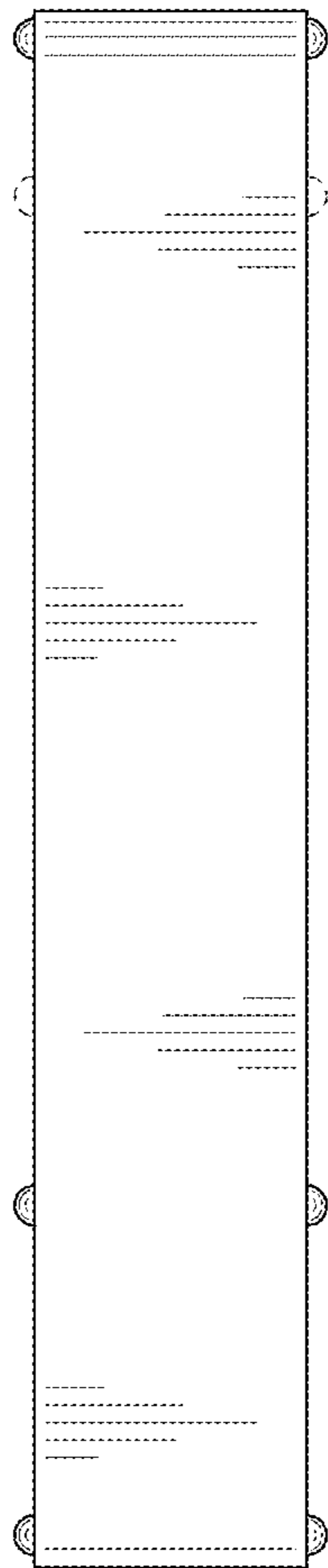


FIG. 7