



US00D919223S

(12) **United States Design Patent**
Karasawa et al.

(10) **Patent No.:** **US D919,223 S**

(45) **Date of Patent:** **** May 11, 2021**

(54) **DOLLY FOR REPLACING REACTOR TUBES**

(71) Applicant: **KOKUSAI ELECTRIC CORPORATION**, Tokyo (JP)

(72) Inventors: **Tadayoshi Karasawa**, Toyama (JP);
Takao Kasamatsu, Toyama (JP)

(73) Assignee: **KOKUSAI ELECTRIC CORPORATION**, Tokyo (JP)

(**) Term: **15 Years**

(21) Appl. No.: **29/670,532**

(22) Filed: **Nov. 16, 2018**

(30) **Foreign Application Priority Data**

May 18, 2018 (JP) 2018-010932

(51) **LOC (13) Cl.** **12-05**

(52) **U.S. Cl.**
USPC **D34/28**

(58) **Field of Classification Search**
USPC D34/12, 17, 20–24, 26, 28, 33, 36
CPC B66F 9/22; B66F 17/003; B60L 2200/42
See application file for complete search history.

(56) **References Cited**

U.S. PATENT DOCUMENTS

D416,369 S * 11/1999 Johansson D34/28
D578,724 S * 10/2008 Mulka D34/21

D585,622 S * 1/2009 Allsop D34/24
D613,022 S * 3/2010 Laursen D34/23
D616,620 S * 5/2010 Carroll D34/24
D640,029 S * 6/2011 Barnes D34/18

FOREIGN PATENT DOCUMENTS

JP 1245457 S 7/2005
JP 1286070 S 11/2006

* cited by examiner

Primary Examiner — Gino Colan

(74) *Attorney, Agent, or Firm* — Fitch, Even, Tabin & Flannery, L.L.P.

(57) **CLAIM**

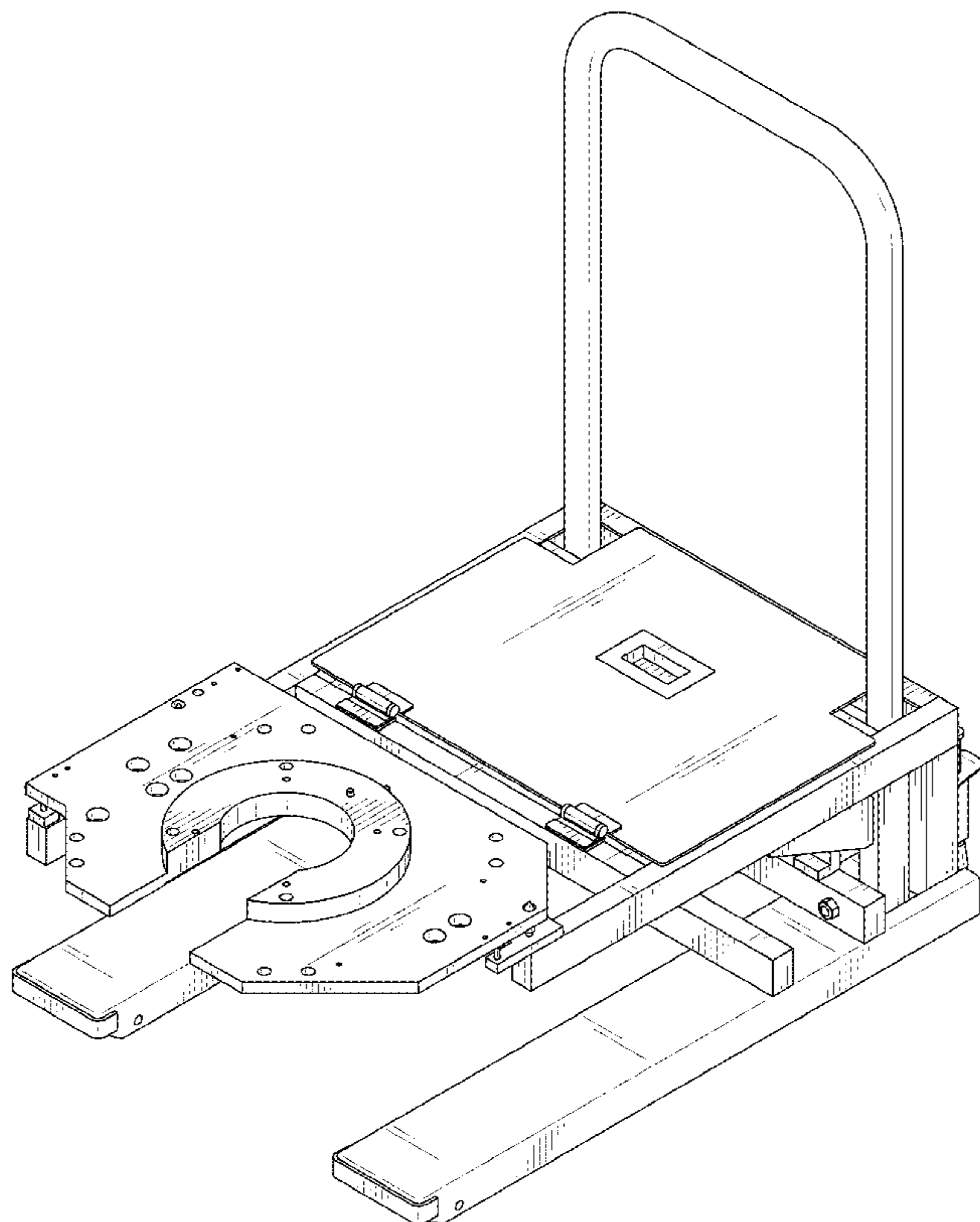
We claim the ornamental design for a dolly for replacing reactor tubes, as shown and described.

DESCRIPTION

FIG. 1 is a front, top and right side perspective view of a dolly for replacing reactor tubes showing our new design; FIG. 2 is a front elevational view thereof; FIG. 3 is a top plan view thereof; FIG. 4 is a right side elevational view thereof; FIG. 5 is a left side elevational view thereof; FIG. 6 is a rear elevational view thereof; and, FIG. 7 is a bottom plan view.

The broken lines are included for the purpose of illustrating portions of the article that form no part of the claimed design.

1 Claim, 7 Drawing Sheets



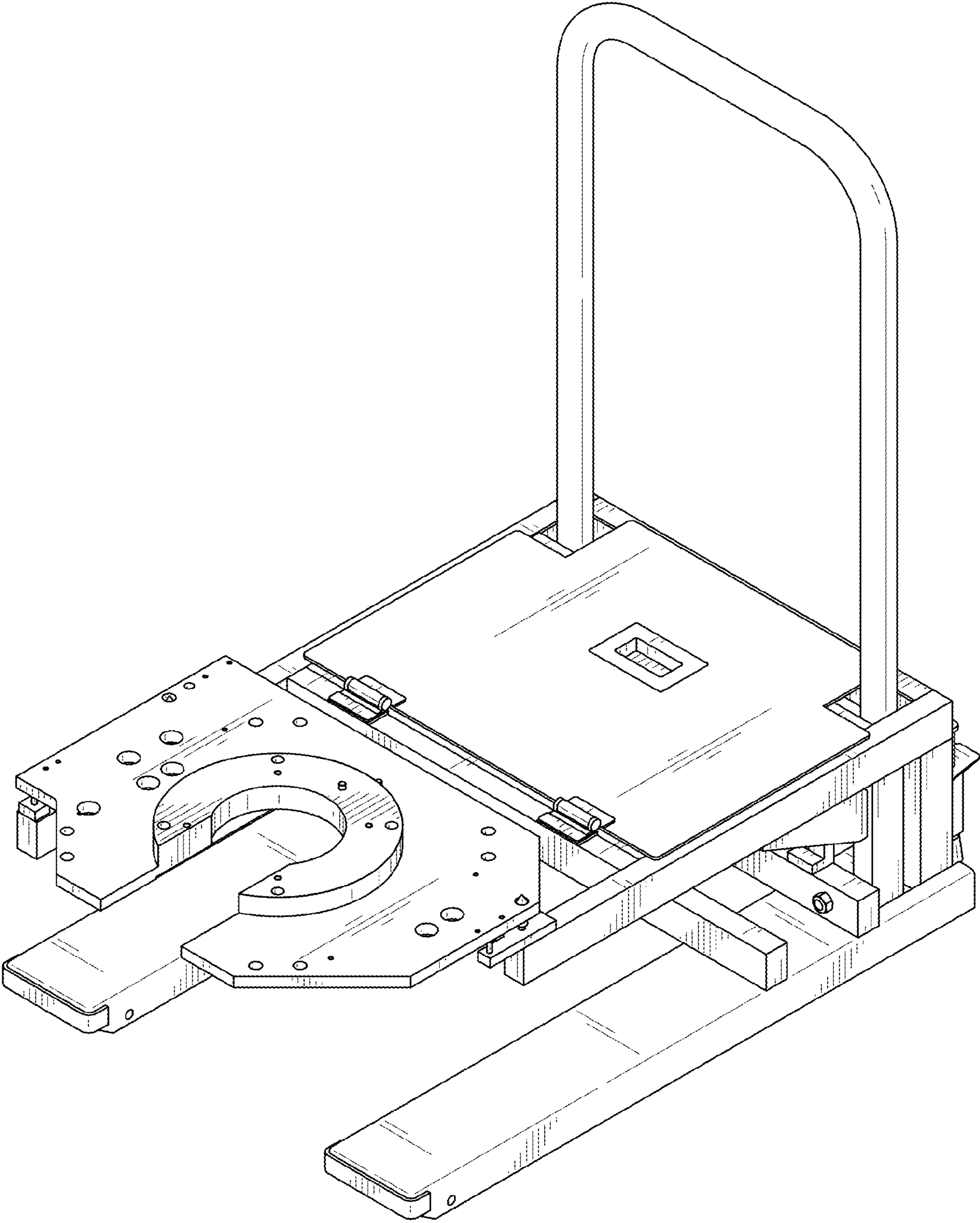


FIG. 1

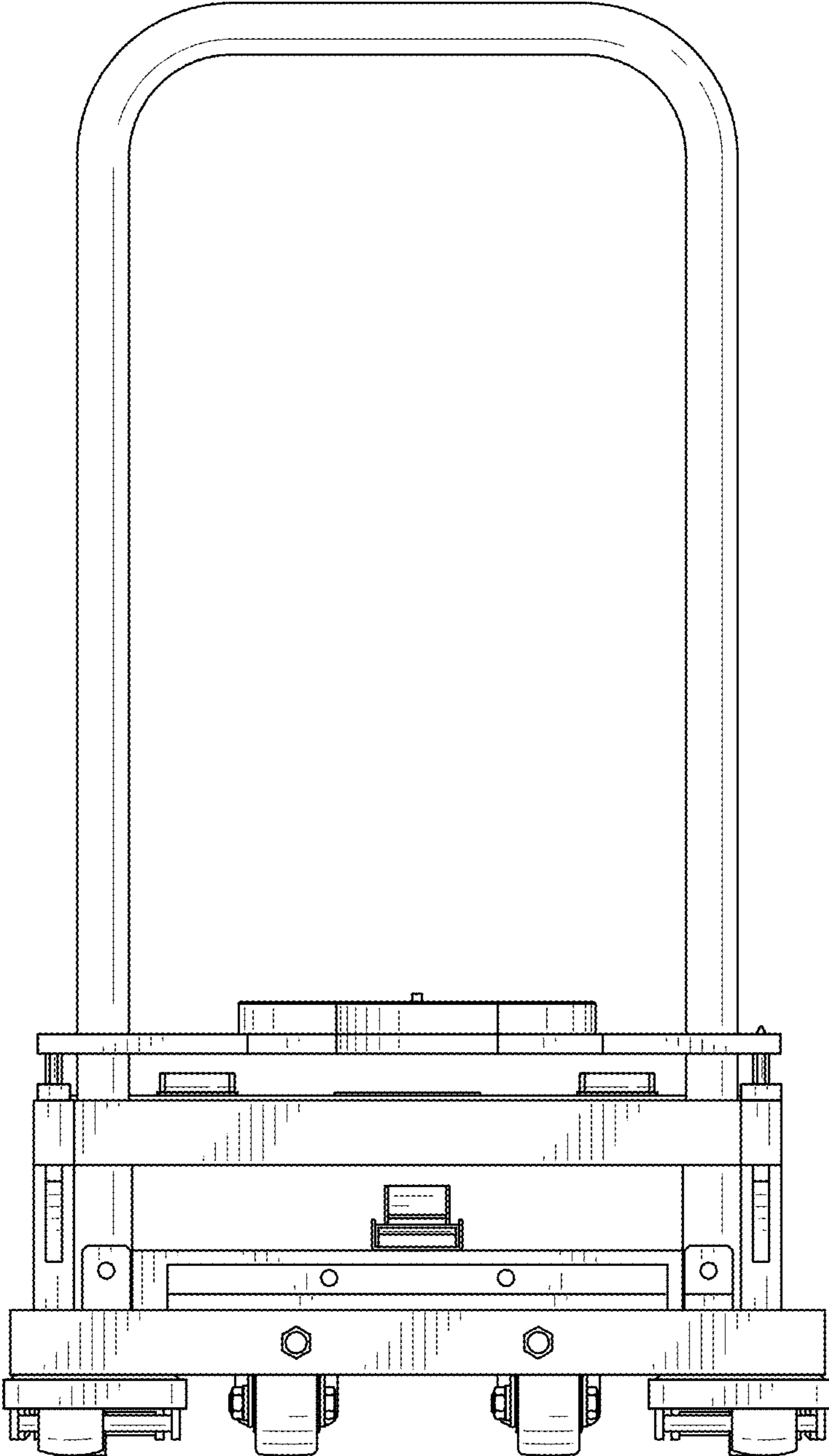


FIG. 2

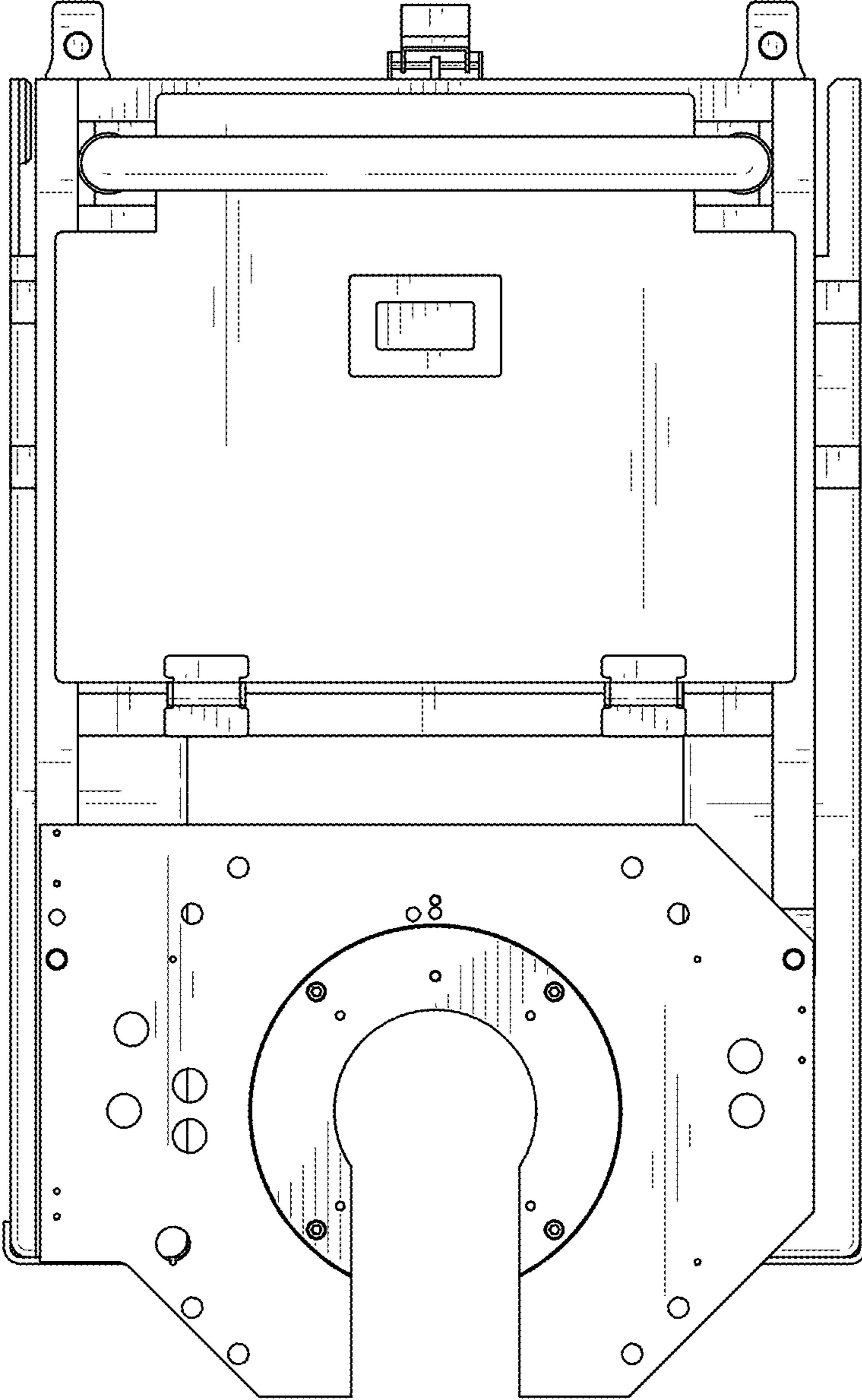


FIG. 3

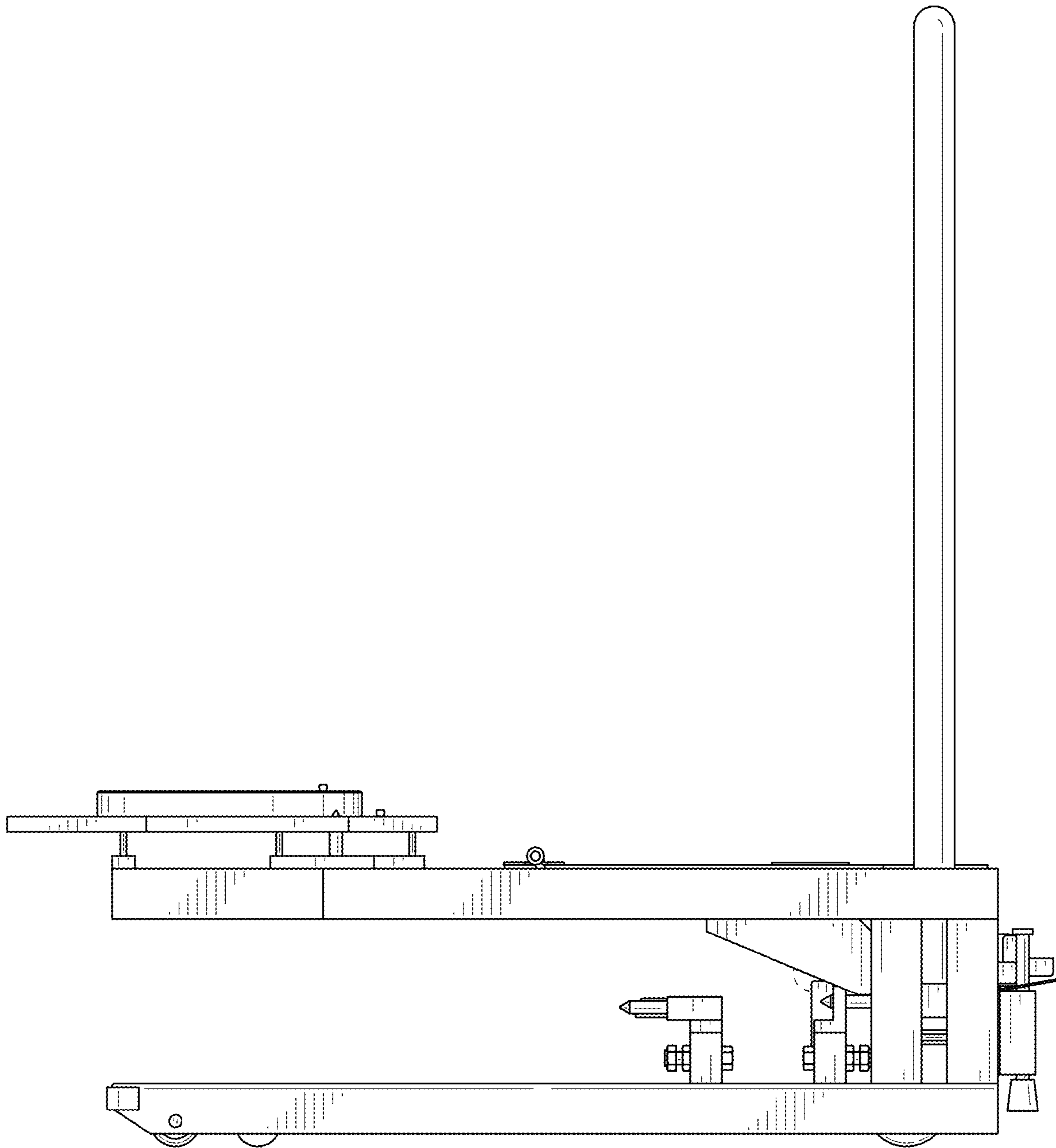


FIG. 4

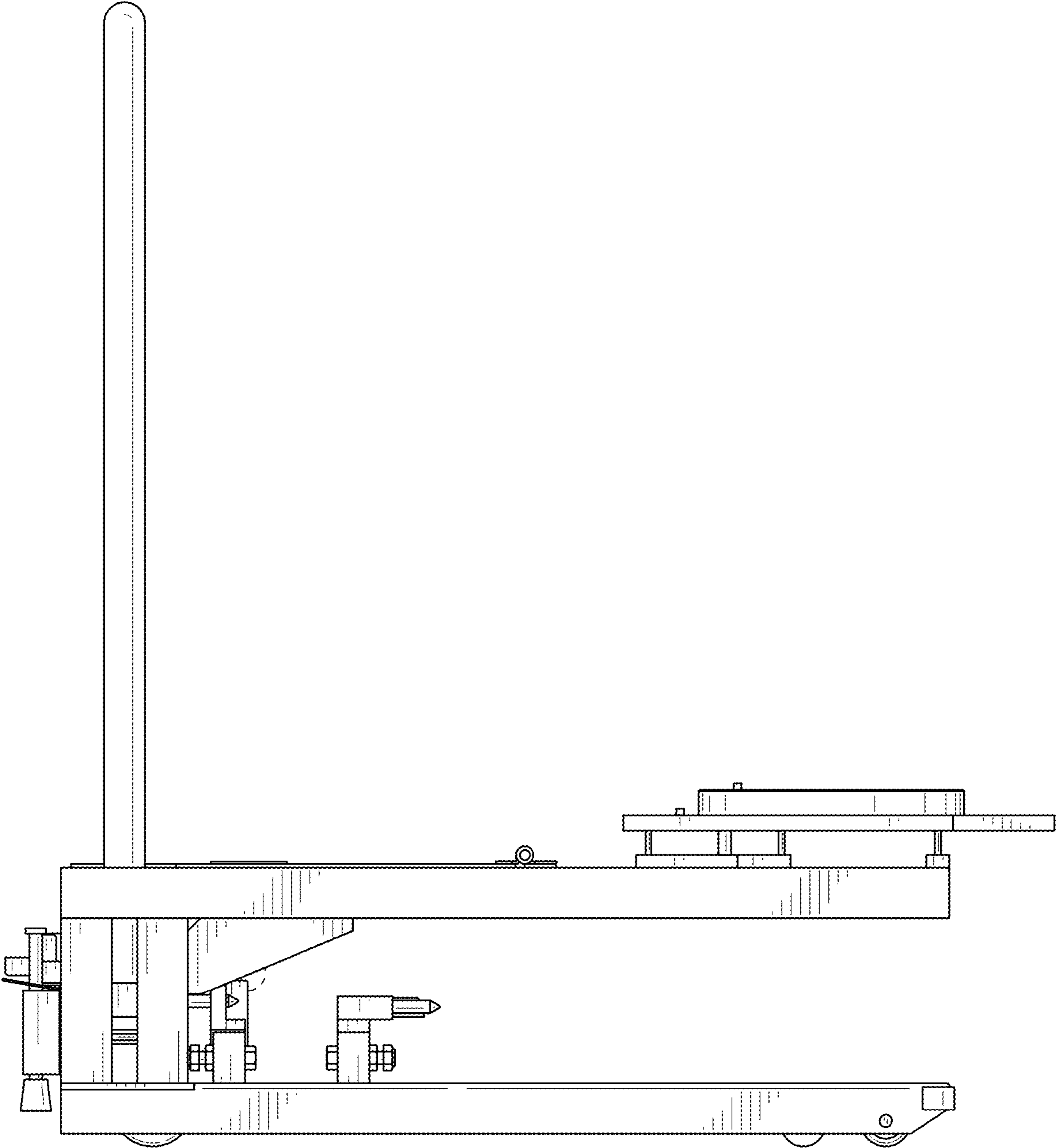


FIG. 5

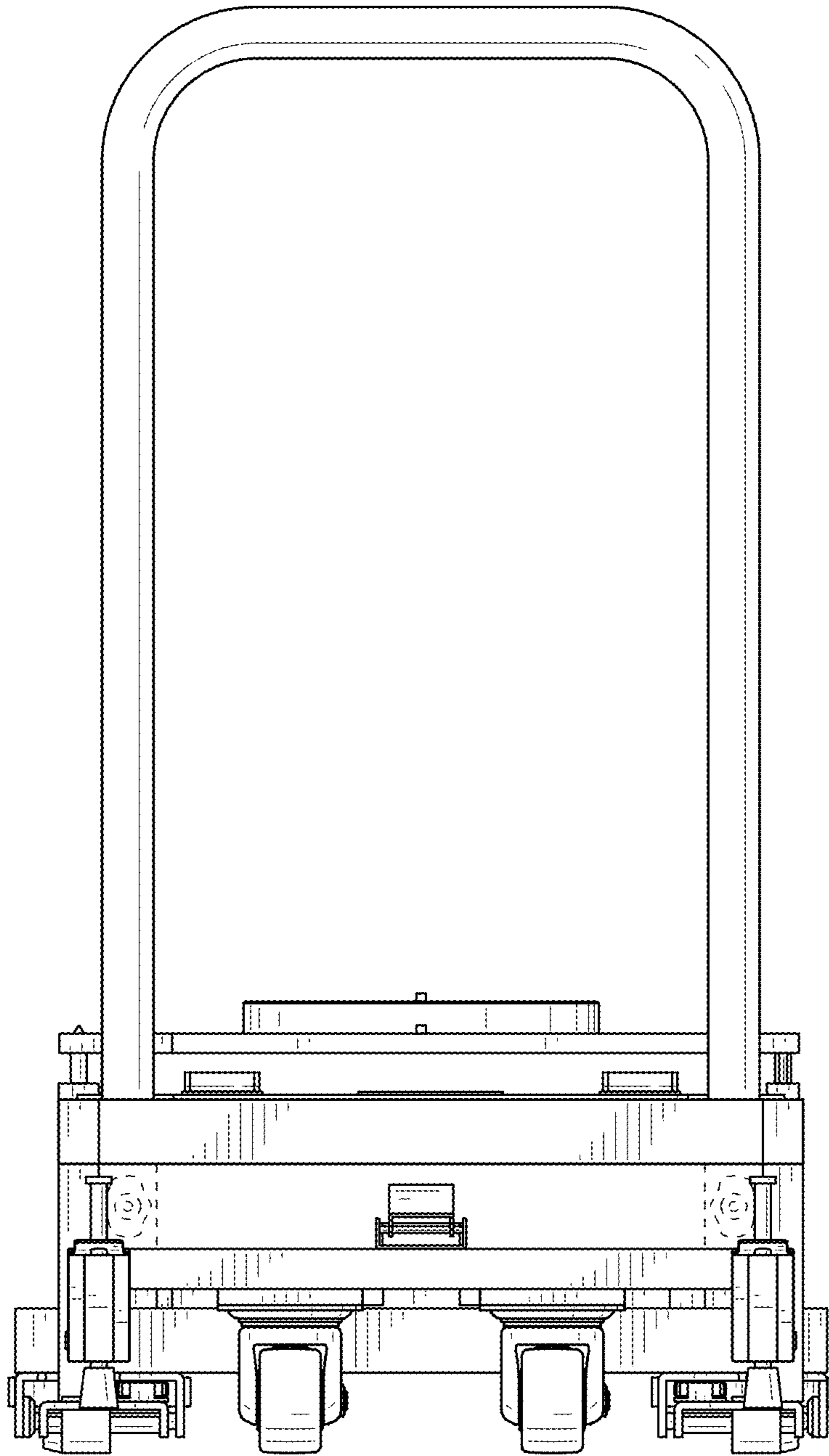


FIG. 6

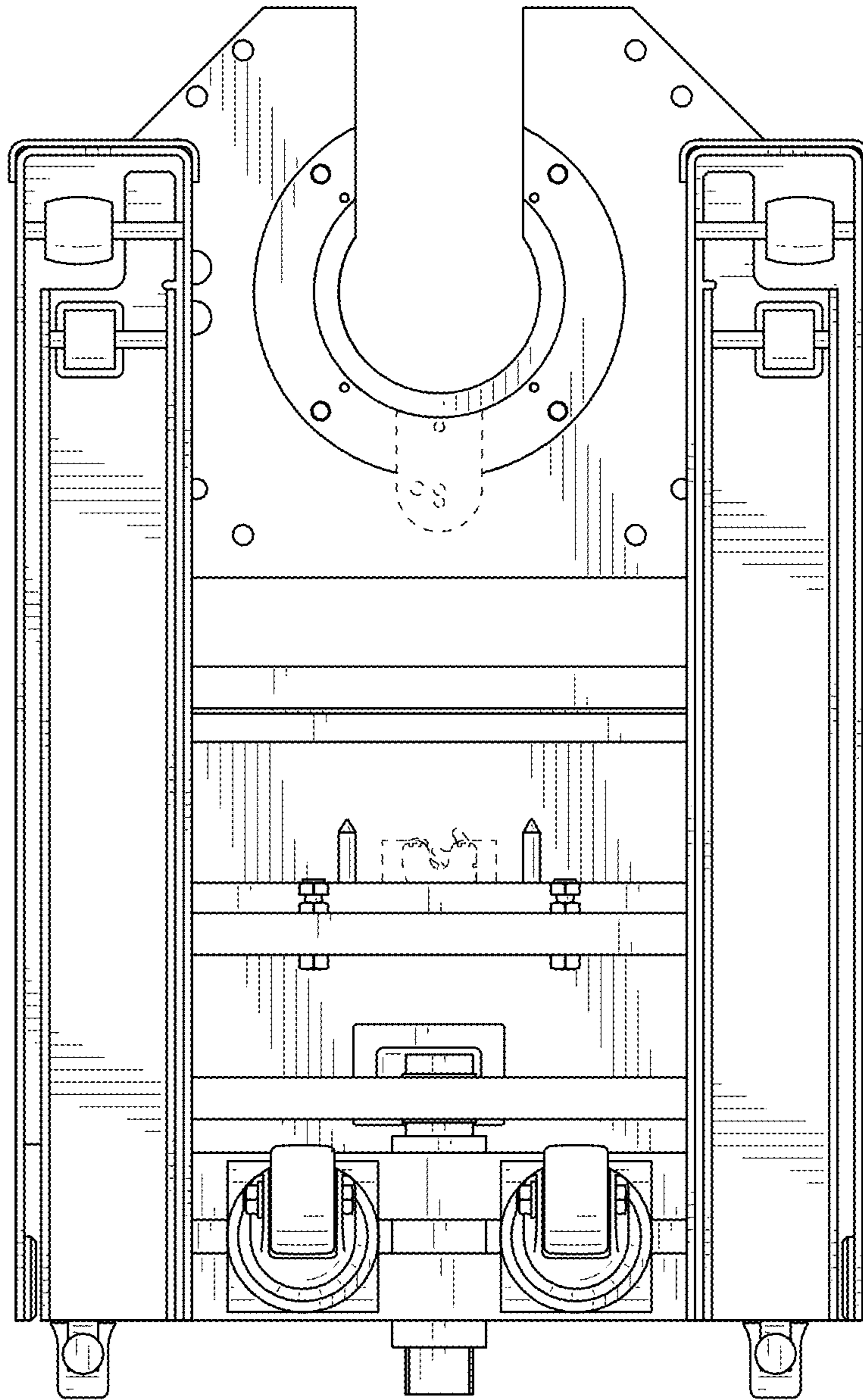


FIG. 7