



US00D919222S

(12) **United States Design Patent**
Shonfeld

(10) **Patent No.:** **US D919,222 S**

(45) **Date of Patent:** **** May 11, 2021**

(54) **WHEELBARROW**

(71) Applicant: **Dean Stephen Shonfeld**, Parkwood
(ZA)

(72) Inventor: **Dean Stephen Shonfeld**, Parkwood
(ZA)

(**) Term: **15 Years**

(21) Appl. No.: **29/723,578**

(22) Filed: **Feb. 7, 2020**

(30) **Foreign Application Priority Data**

Aug. 8, 2019 (ZA) F2019/01094

(51) **LOC (13) Cl.** **12-02**

(52) **U.S. Cl.**
USPC **D34/16**

(58) **Field of Classification Search**
USPC D34/12-22
CPC B62B 1/12; B62B 3/02; B62B 3/06; B62B
3/14; B62B 5/0438; B62B 2200/432;
B62B 1/20; B62B 1/186; B62B 1/125;
B62B 65/06; B62B 65/067
See application file for complete search history.

(56) **References Cited**

U.S. PATENT DOCUMENTS

D564,172 S * 3/2008 Steinhobel D34/12
D628,759 S * 12/2010 Walter D34/27

D742,612 S * 11/2015 Walter D34/21
D838,929 S * 1/2019 Villanova Abadia D34/17
D849,351 S * 5/2019 Harrison D34/27
D895,920 S * 9/2020 Villanova Abadia D34/21
2002/0135144 A1 * 9/2002 Murar B62B 3/1404
280/33.991
2003/0057666 A1 * 3/2003 Murar B62B 3/14
280/33.991
2006/0273535 A1 * 12/2006 O'Quin B62B 3/14
280/33.991
2010/0276899 A1 * 11/2010 Burdwood B62B 3/146
280/33.991
2018/0050713 A1 * 2/2018 Bacallao A47F 13/085
2020/0047787 A1 * 2/2020 Bacallao B62B 3/1472

* cited by examiner

Primary Examiner — Cynthia Ramirez

(74) *Attorney, Agent, or Firm* — Banner & Witcoff, Ltd.

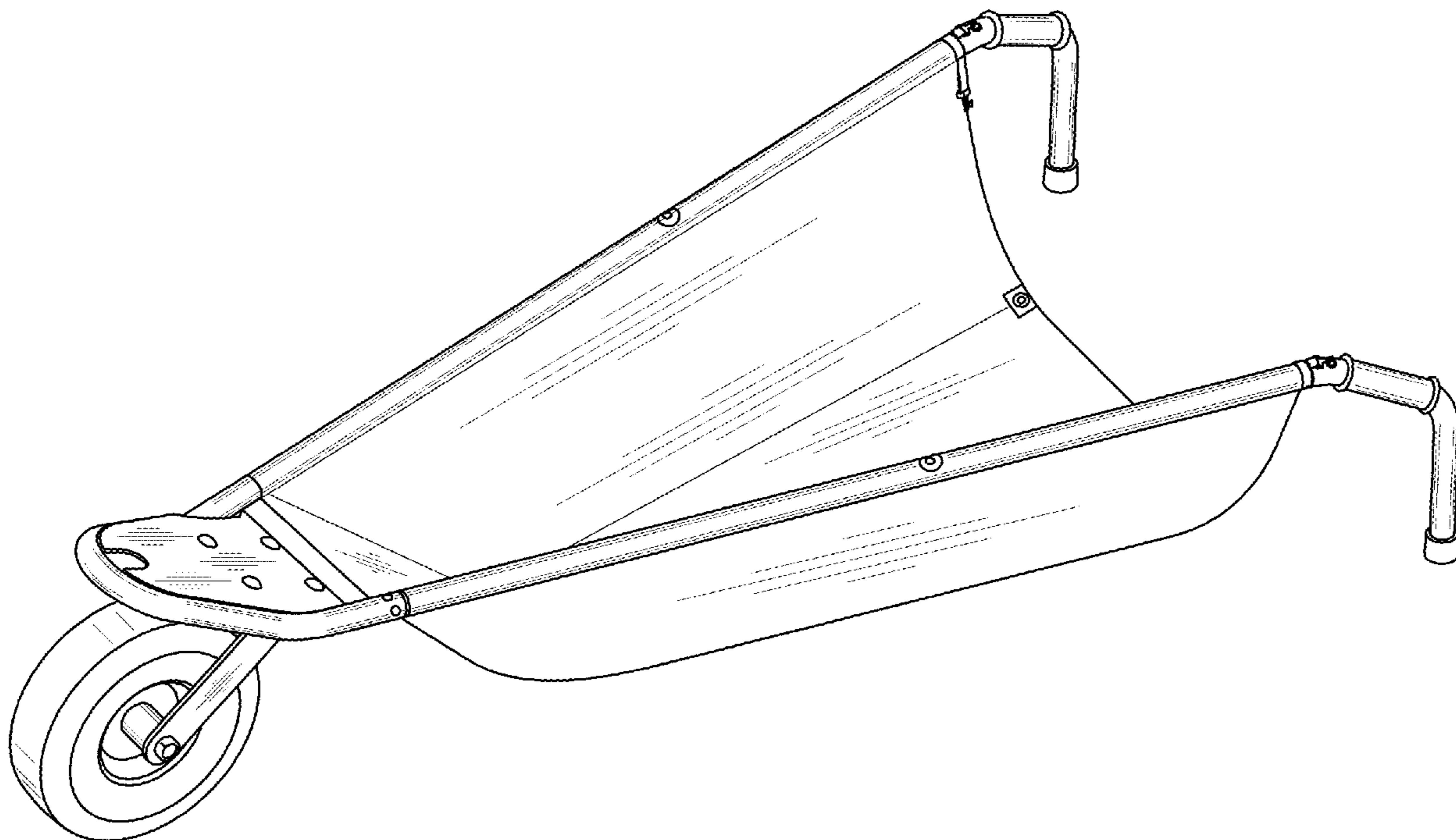
(57) **CLAIM**

The ornamental design for a wheelbarrow, as shown and described.

DESCRIPTION

FIG. 1 is a top, front, right perspective view of the design;
FIG. 2 is a front view thereof;
FIG. 3 is a rear view thereof;
FIG. 4 is a left side view thereof;
FIG. 5 is a right side view thereof;
FIG. 6 is a top view thereof; and,
FIG. 7 is a bottom view thereof.

1 Claim, 3 Drawing Sheets



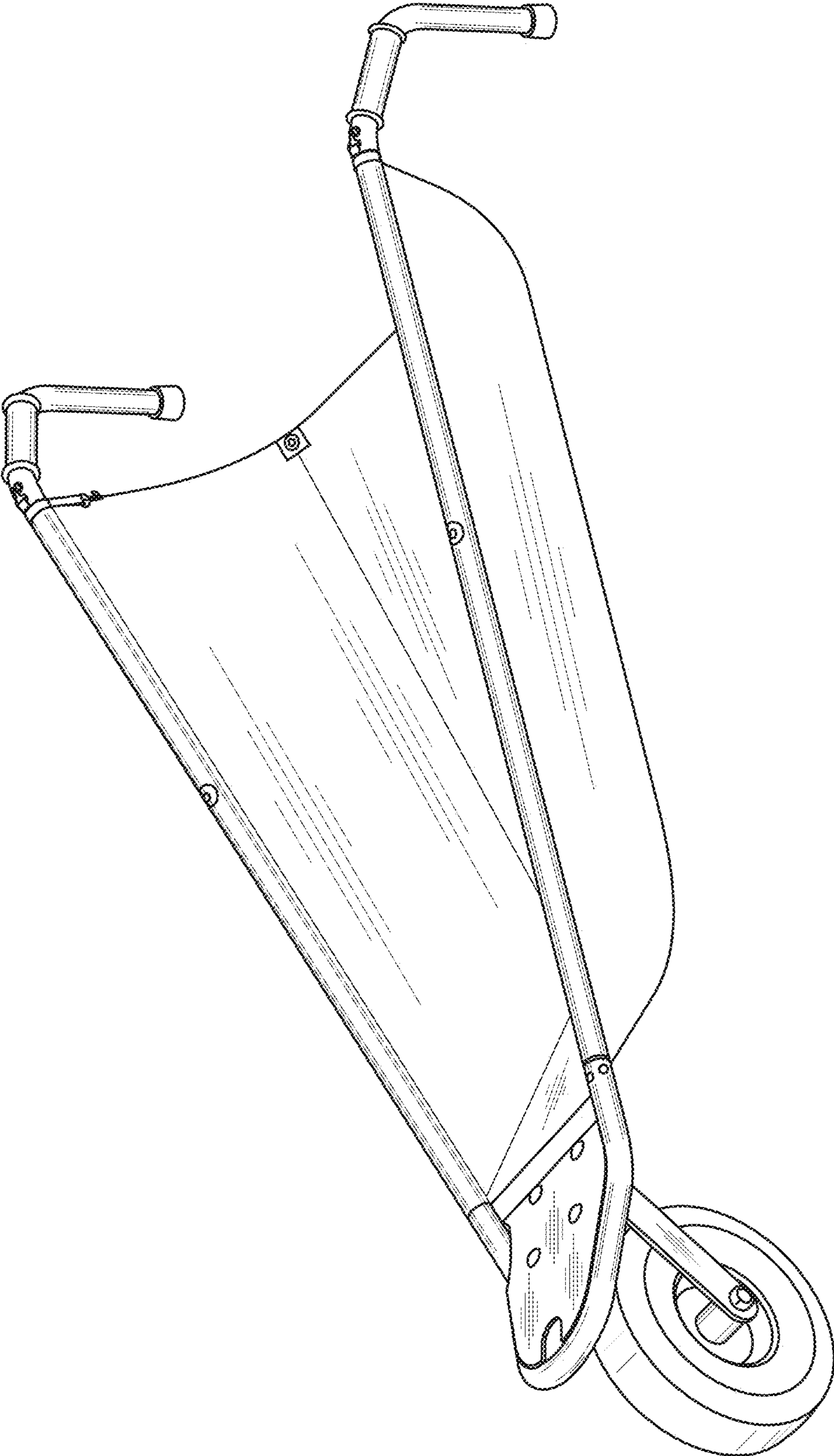


FIG 1

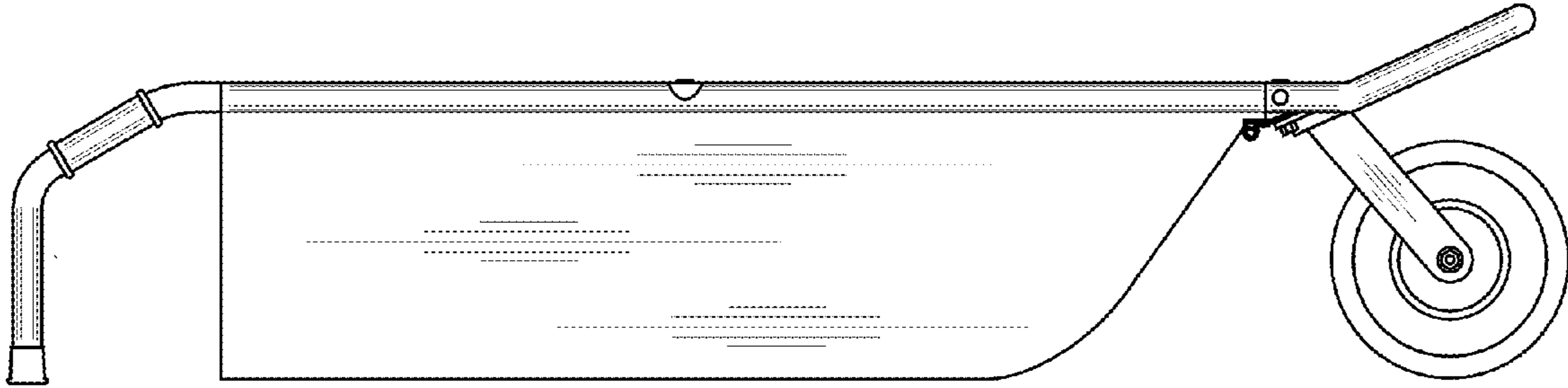


FIG 4

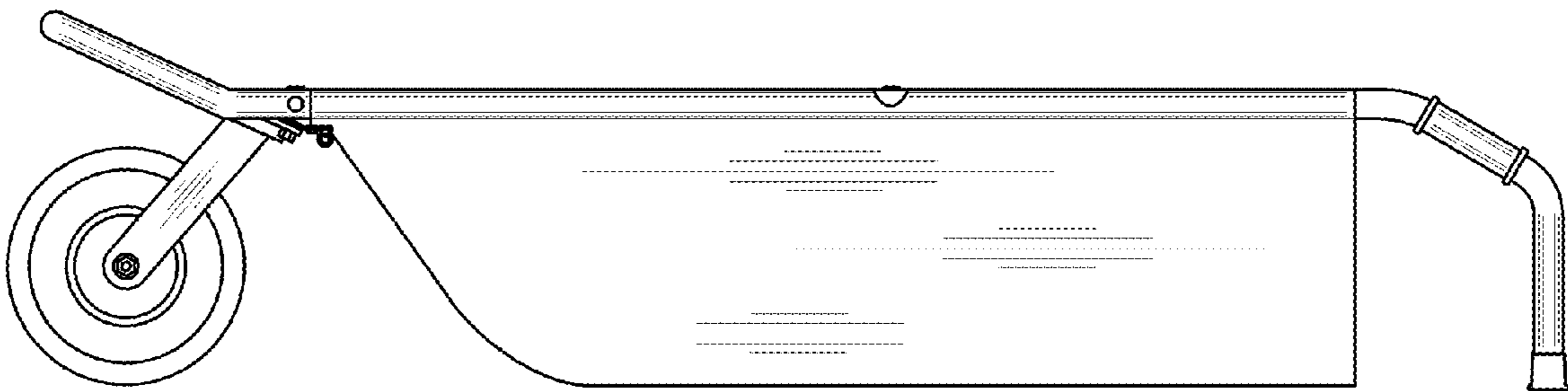


FIG 5

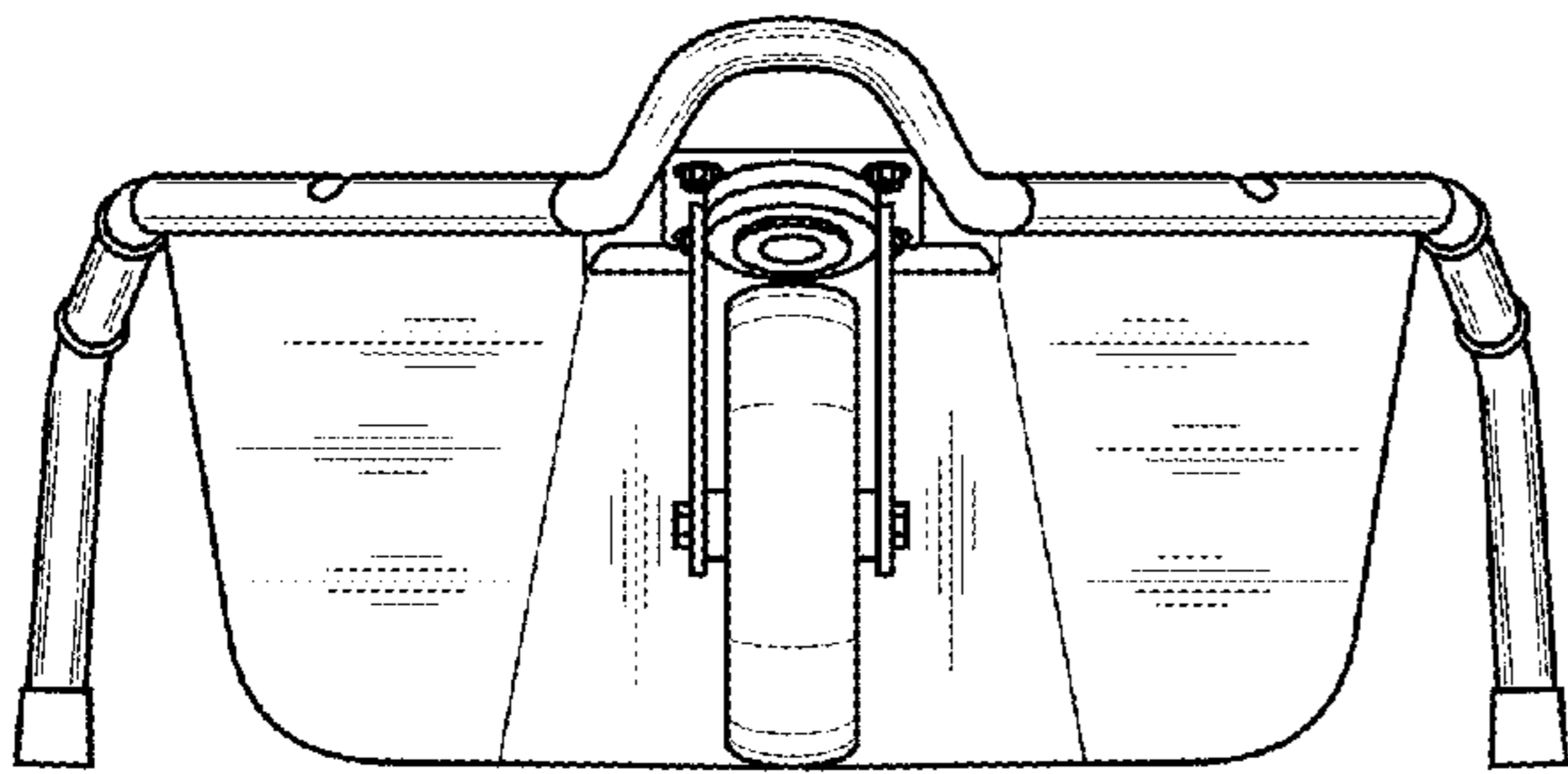


FIG 2

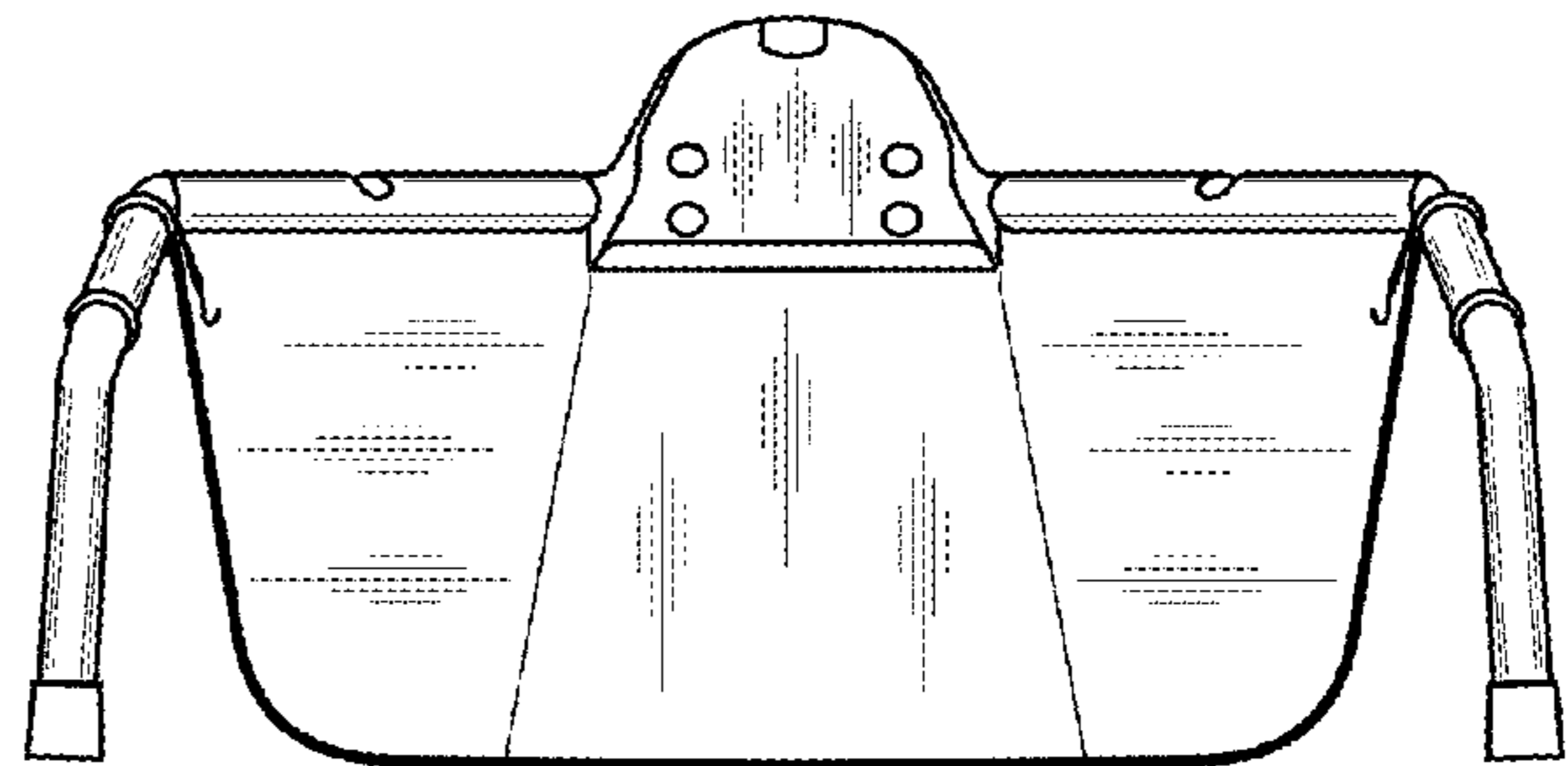


FIG 3

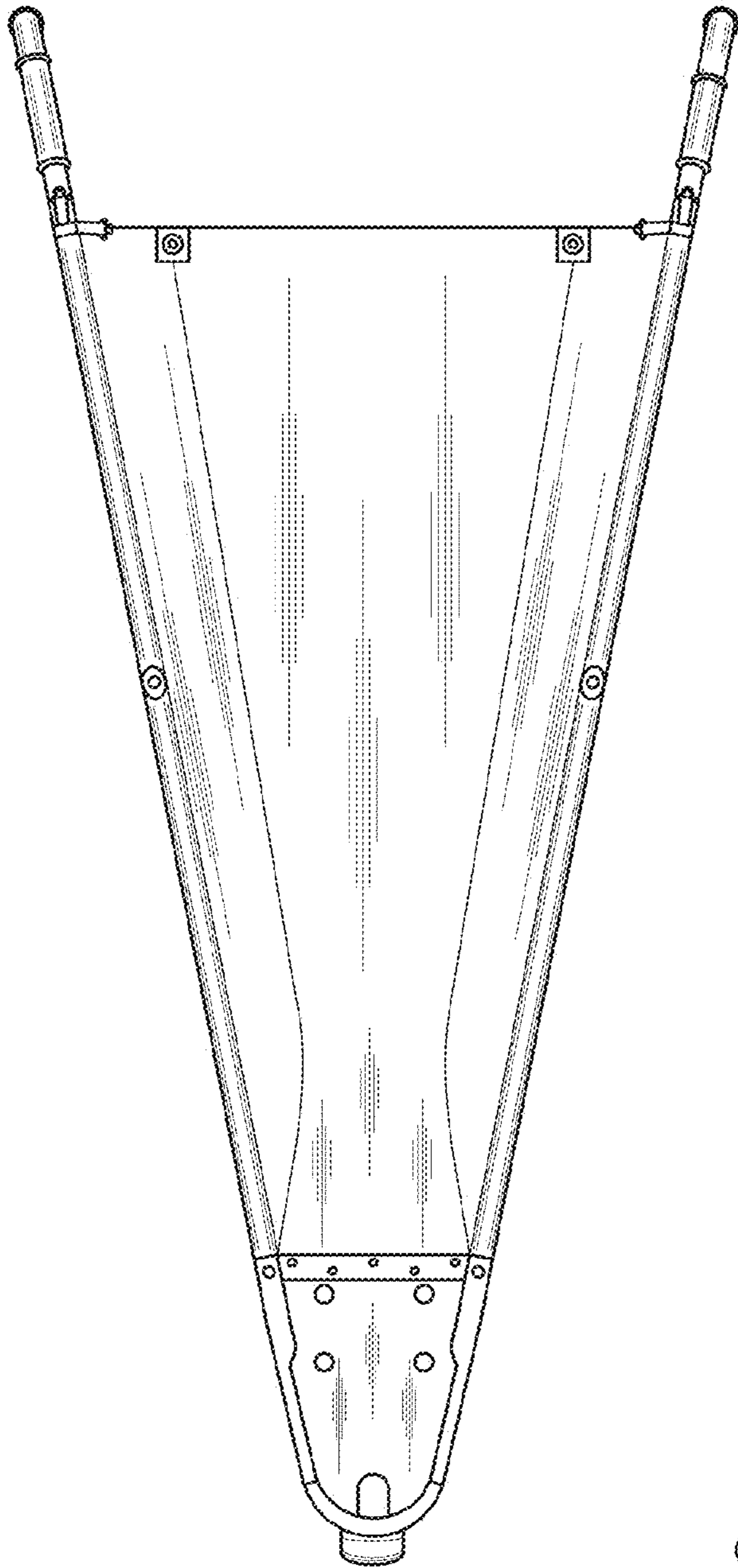


FIG 6

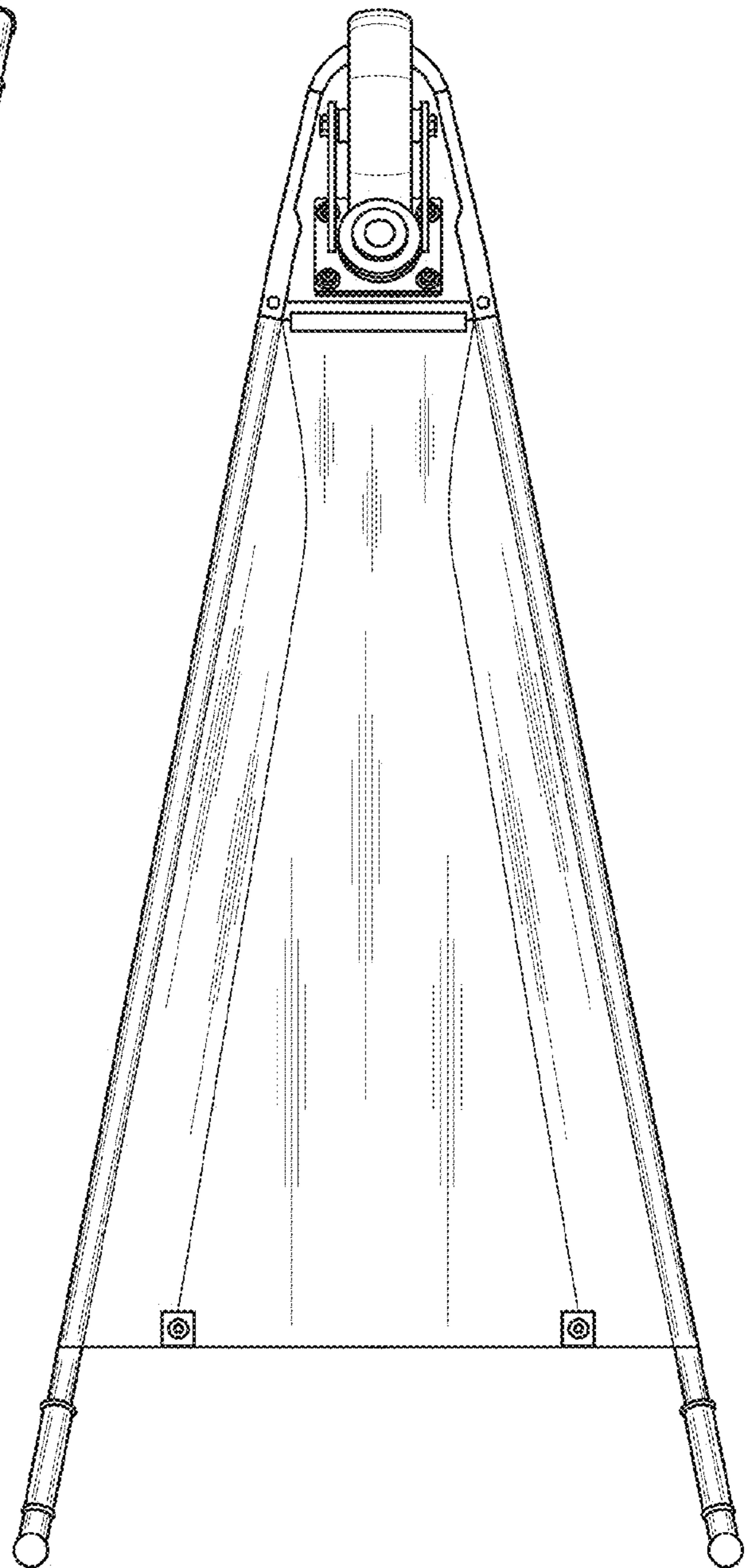


FIG 7