



US00D919221S

(12) **United States Design Patent** (10) **Patent No.:** **US D919,221 S**  
**Perez et al.** (45) **Date of Patent:** **\*\* May 11, 2021**

(54) **WASTE RECEPTACLE CINCH**  
(71) Applicant: **Rubbermaid Commercial Products LLC**, Atlanta, GA (US)  
(72) Inventors: **Juan Carlos Perez**, Huntersville, NC (US); **Ryan Baker**, Charlotte, NC (US); **Christopher Parke**, Huntersville, NC (US); **Wesley Alan Steen**, Charlotte, NC (US)  
(73) Assignee: **Rubbermaid Commercial Products LLC**, Atlanta, GA (US)

(\*\*) Term: **15 Years**

(21) Appl. No.: **29/696,119**

(22) Filed: **Jun. 25, 2019**

(51) **LOC (13) Cl.** ..... **09-09**

(52) **U.S. Cl.**  
USPC ..... **D34/10**

(58) **Field of Classification Search**  
USPC ..... D34/10, 11; D8/107; D32/61  
CPC .... B65F 1/02; B65F 1/16; B65F 1/002; B65F 1/04; B65F 1/0013; B65F 1/067; B65F 1/004; B65F 7/00; B65F 7/14; B65F 1/062; B65F 1/06  
See application file for complete search history.

(56) **References Cited**

U.S. PATENT DOCUMENTS

- 2,457,274 A \* 12/1948 Rifken ..... A47K 10/14 248/314
- 4,697,312 A \* 10/1987 Freyer ..... B65D 33/1625 24/30.5 R
- 4,884,717 A \* 12/1989 Bussard ..... A47G 19/30 220/229
- 4,964,523 A \* 10/1990 Bieltvedt ..... B65F 1/004 220/254.2
- D337,181 S \* 7/1993 Warman ..... D30/121

- 5,381,588 A \* 1/1995 Nelson ..... B65D 73/0064 24/30.55
- D383,277 S \* 9/1997 Peters ..... D34/1
- 5,695,088 A \* 12/1997 Kasbohm ..... B65D 25/16 220/495.11
- D445,980 S \* 7/2001 Tjugum ..... D32/61
- D542,002 S \* 5/2007 Yang ..... D34/10
- D568,572 S \* 5/2008 Yang ..... D34/10

(Continued)

*Primary Examiner* — Cynthia Ramirez  
(74) *Attorney, Agent, or Firm* — Eversheds Sutherland (US) LLP

(57) **CLAIM**

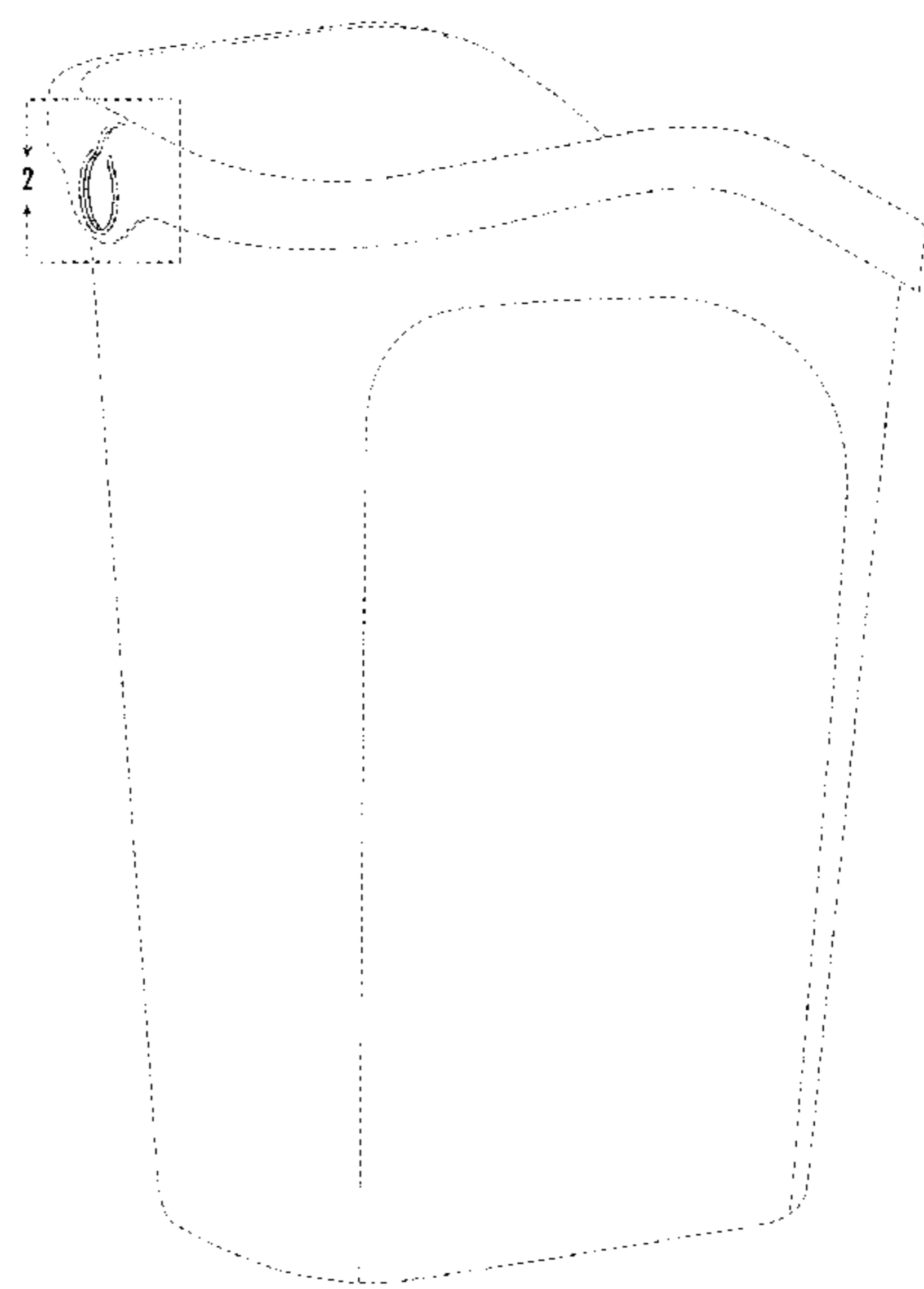
We claim the ornamental design for a waste receptacle cinch, as shown and described.

**DESCRIPTION**

FIG. 1 is a perspective view of a waste receptacle cinch showing our new design;  
FIG. 2 is an enlarged perspective view thereof;  
FIG. 3 is a front view thereof;  
FIG. 4 is a rear view thereof;  
FIG. 5 is a bottom view thereof;  
FIG. 6 is a top view thereof;  
FIG. 7 is a side view thereof;  
FIG. 8 is the other side view thereof;  
FIG. 9 is another perspective view of the waste receptacle cinch showing our new design;  
FIG. 10 is an enlarged perspective view thereof;  
FIG. 11 is a front view thereof;  
FIG. 12 is a rear view thereof;  
FIG. 13 is a bottom view thereof;  
FIG. 14 is a top view thereof;  
FIG. 15 is a side view thereof; and,  
FIG. 16 is the other side view thereof.

The broken lines in the figures are for the purpose of illustrating environment and form no part of the claimed design. The dash-dot broken lines in the figures define the bounds of the claimed design and form no part thereof.

**1 Claim, 16 Drawing Sheets**



(56)

**References Cited**

U.S. PATENT DOCUMENTS

7,404,499	B1 *	7/2008	Ramsey	.....	B65F 1/062 220/495.06
D578,265	S *	10/2008	Presnell	.....	D34/1
D585,618	S *	1/2009	Yang	.....	D34/1
D687,611	S *	8/2013	MacLean	.....	D32/61
D714,510	S *	9/2014	Yang	.....	D34/10
D810,375	S *	2/2018	Cramer	.....	D34/10
2006/0056741	A1 *	3/2006	Yang	.....	B65F 1/06 383/33
2007/0289972	A1 *	12/2007	Wynn	.....	B65F 1/06 220/495.06
2008/0011754	A1 *	1/2008	Ramsey	.....	B65F 1/062 220/495.06
2008/0197136	A1 *	8/2008	Dukes	.....	B65F 1/06 220/495.11
2008/0256759	A1 *	10/2008	Kasbohm	.....	B65F 7/00 24/30.55
2008/0257889	A1 *	10/2008	Kovacevich	.....	B65F 1/08 220/495.11
2009/0230131	A1 *	9/2009	McDuffie	.....	B65F 1/163 220/495.06
2012/0118895	A1 *	5/2012	Lin	.....	B65F 1/08 220/495.11
2013/0098913	A1 *	4/2013	Yang	.....	B65F 7/00 220/263

\* cited by examiner

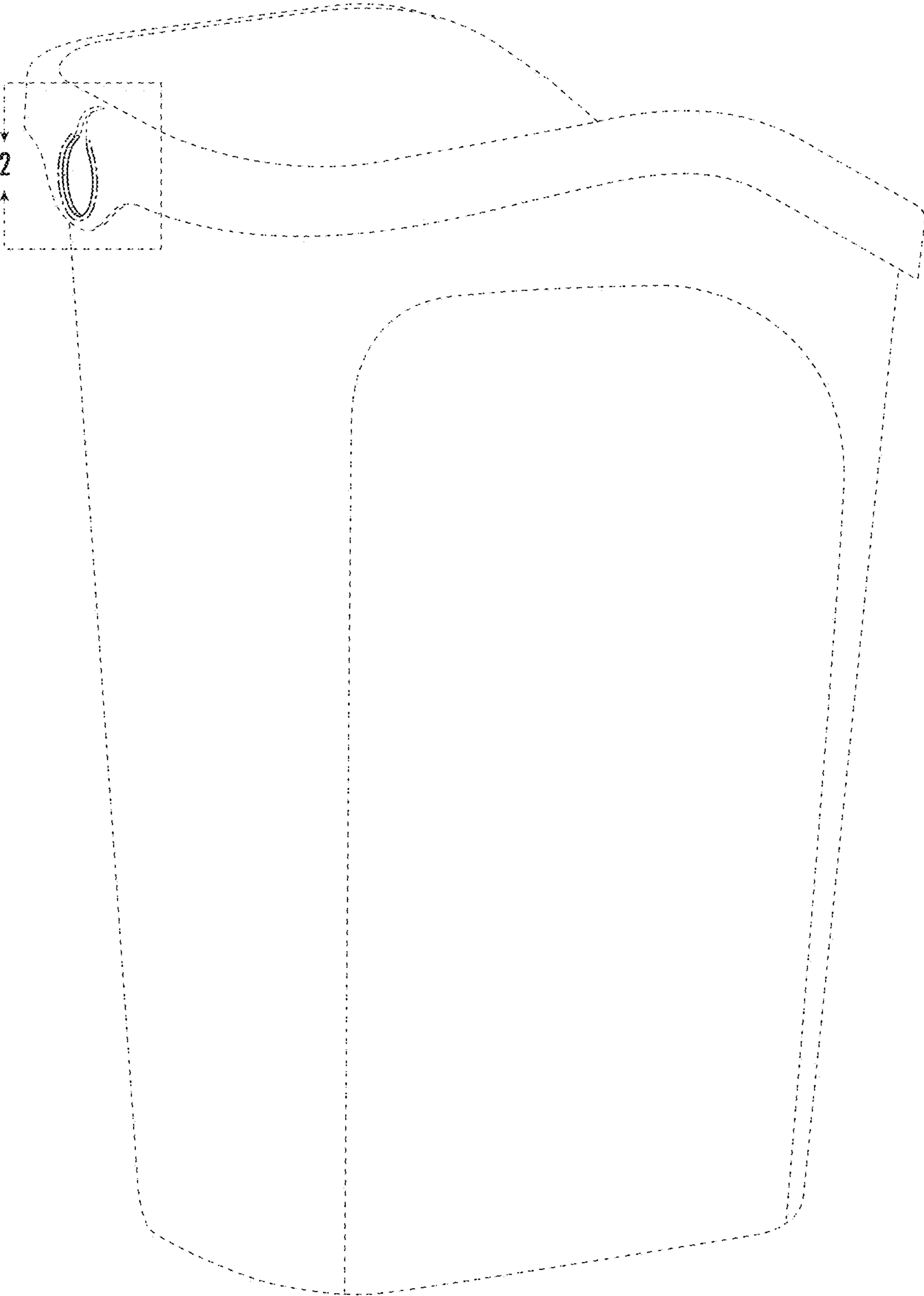


FIG. 1

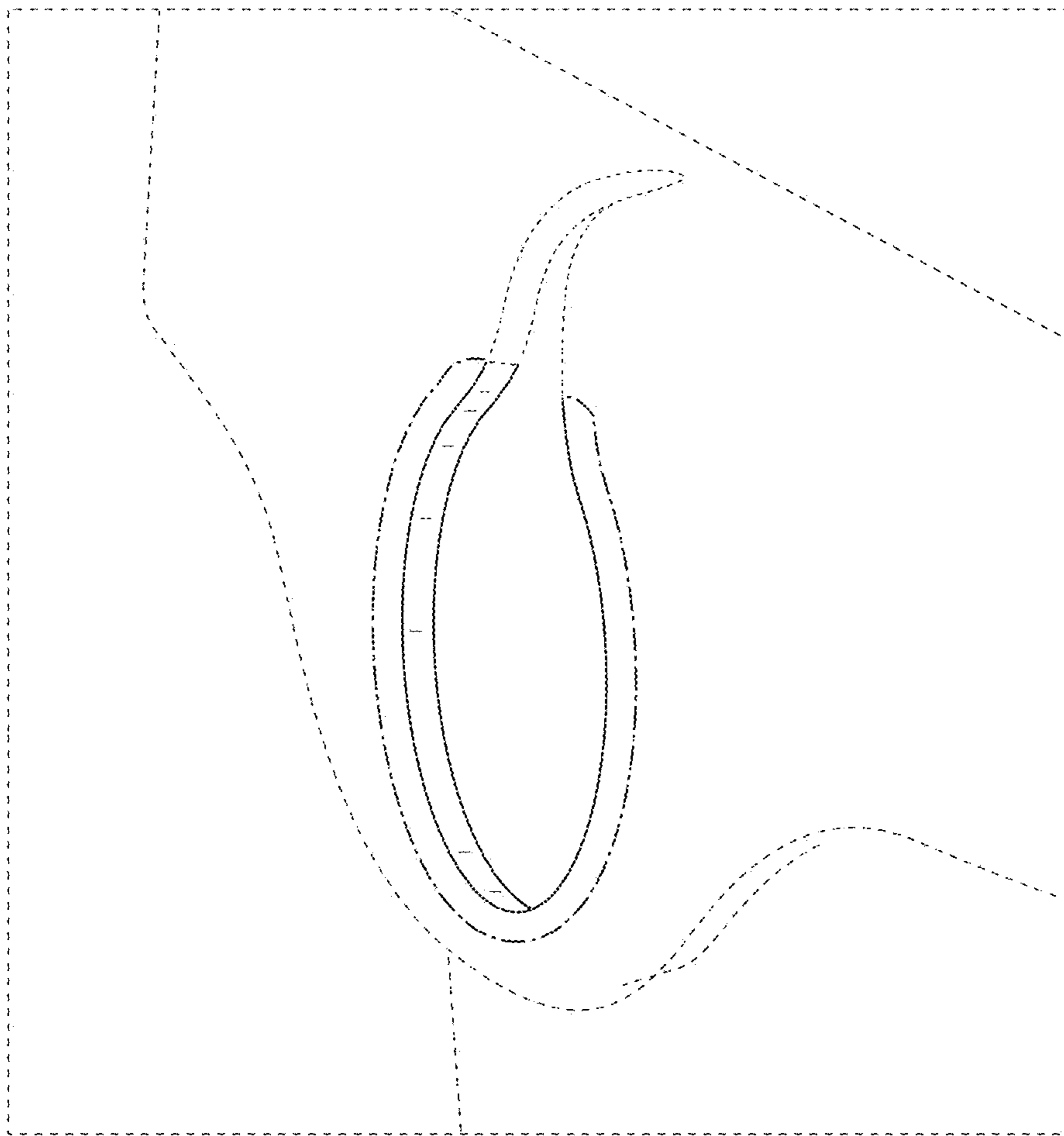


FIG. 2

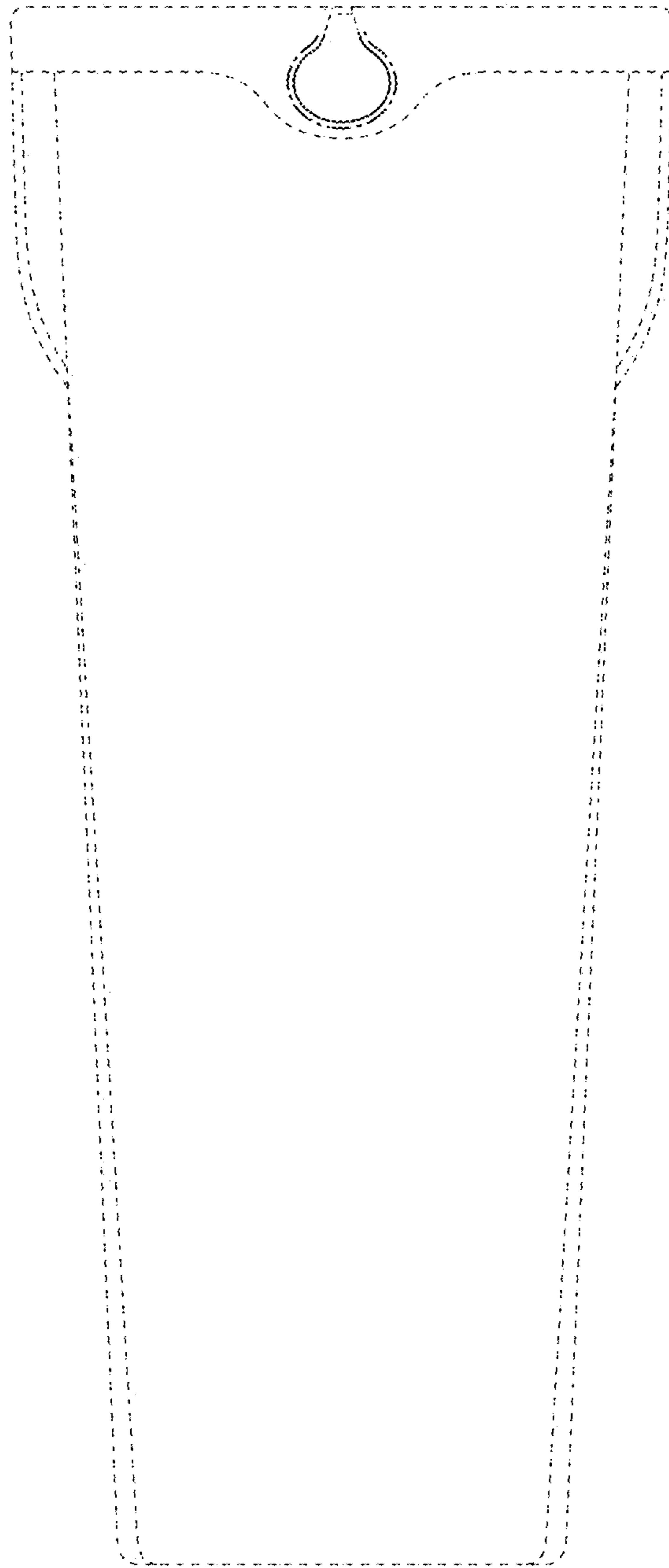


FIG. 3

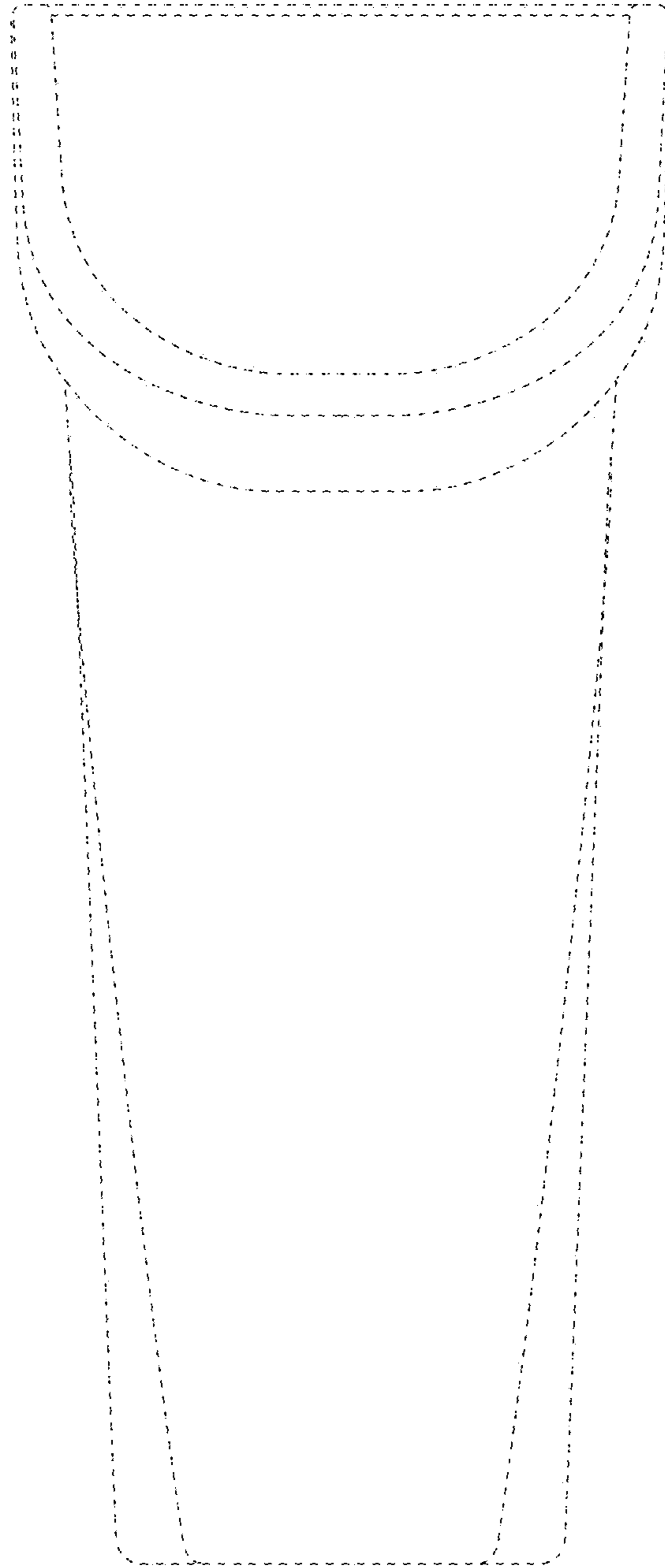


FIG. 4

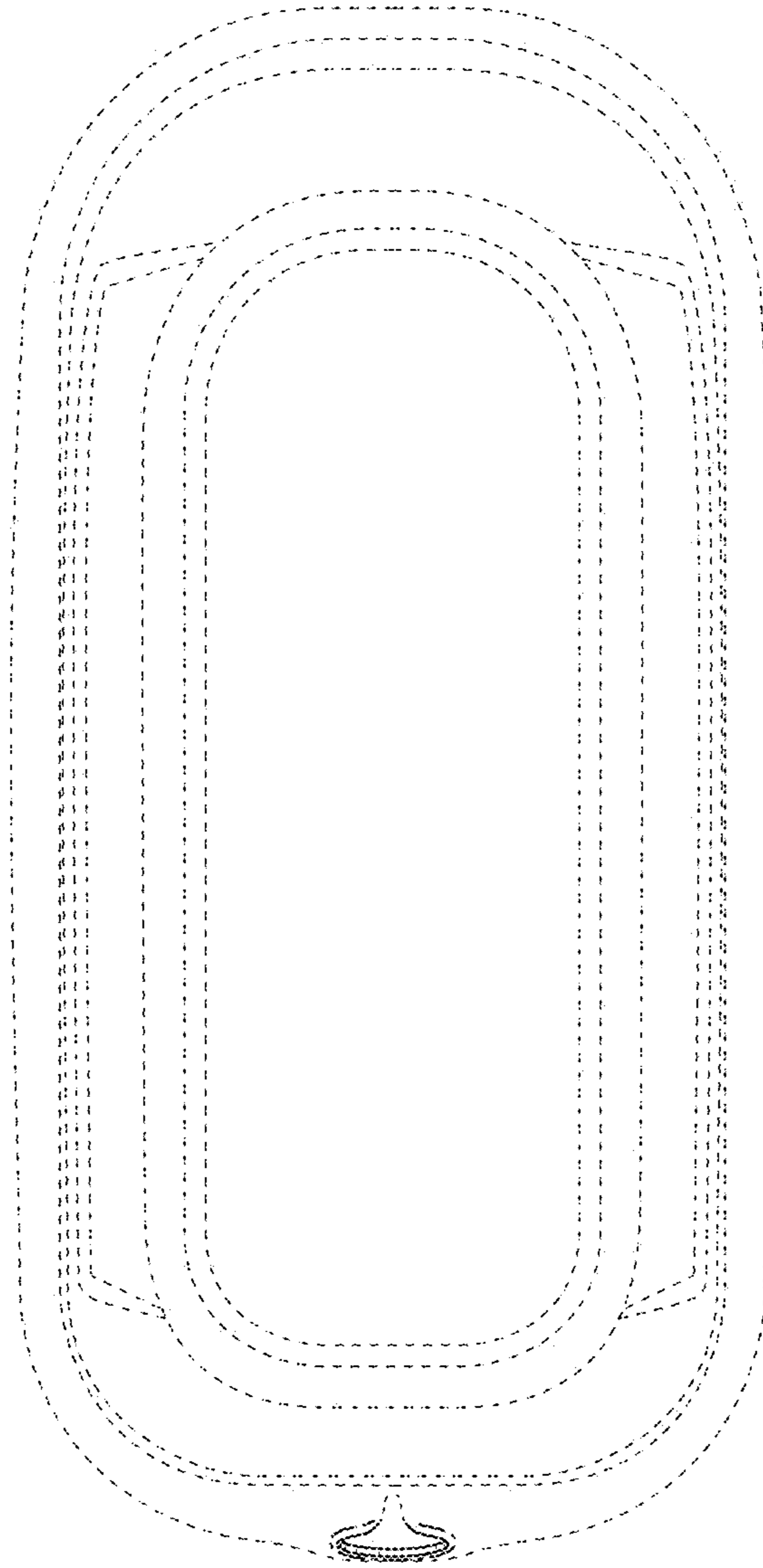


FIG. 5

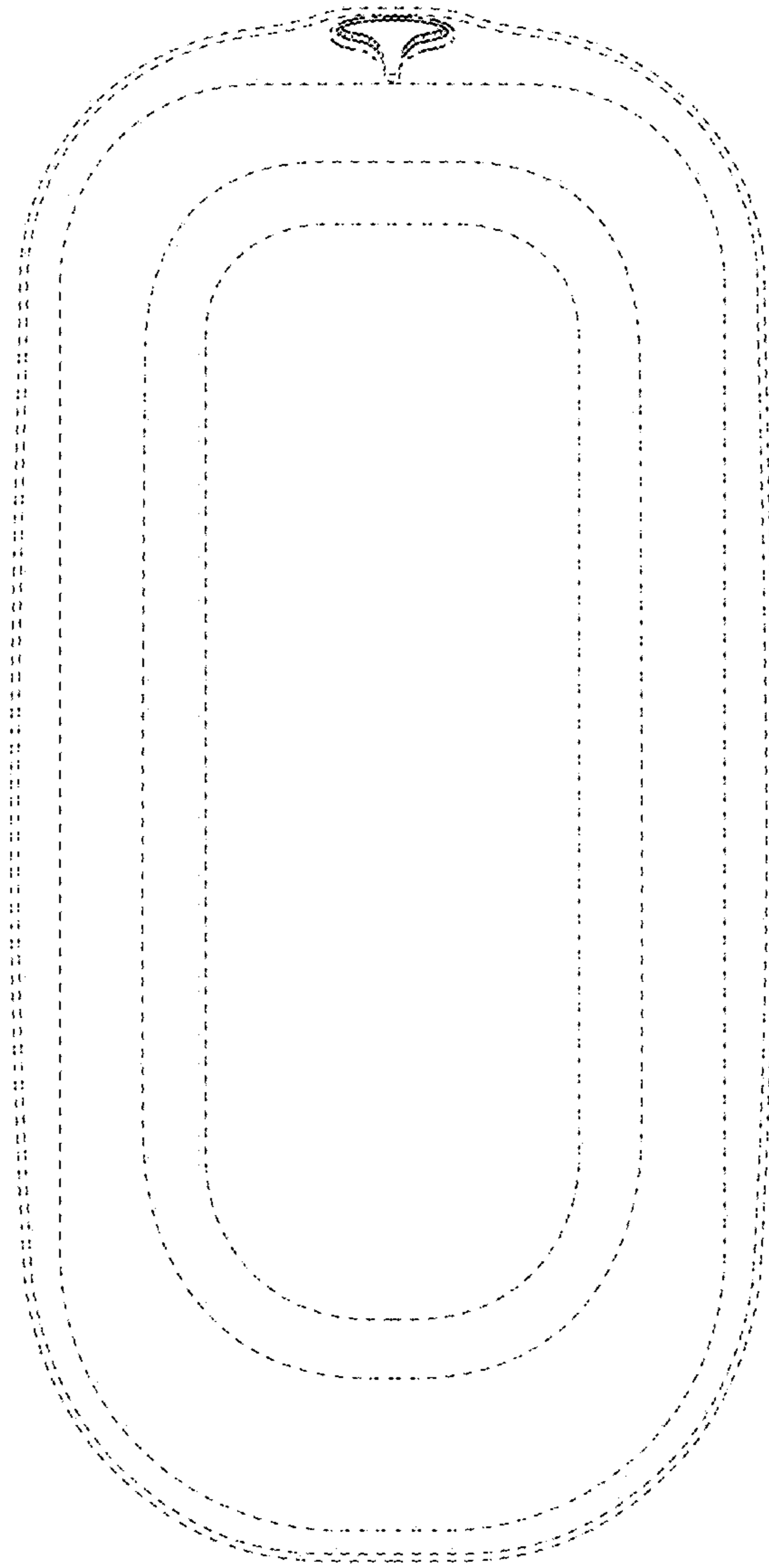


FIG. 6



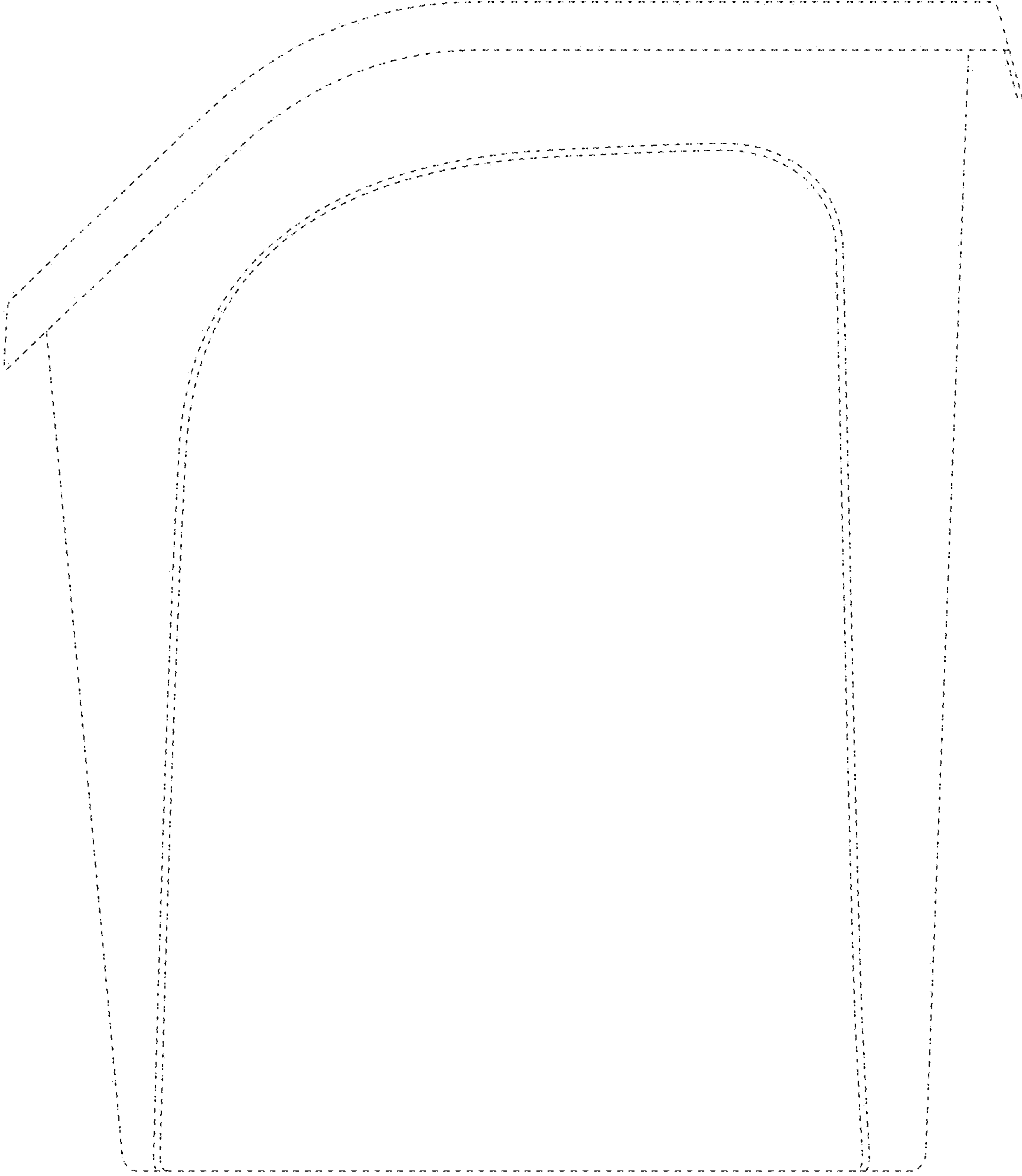


FIG. 7

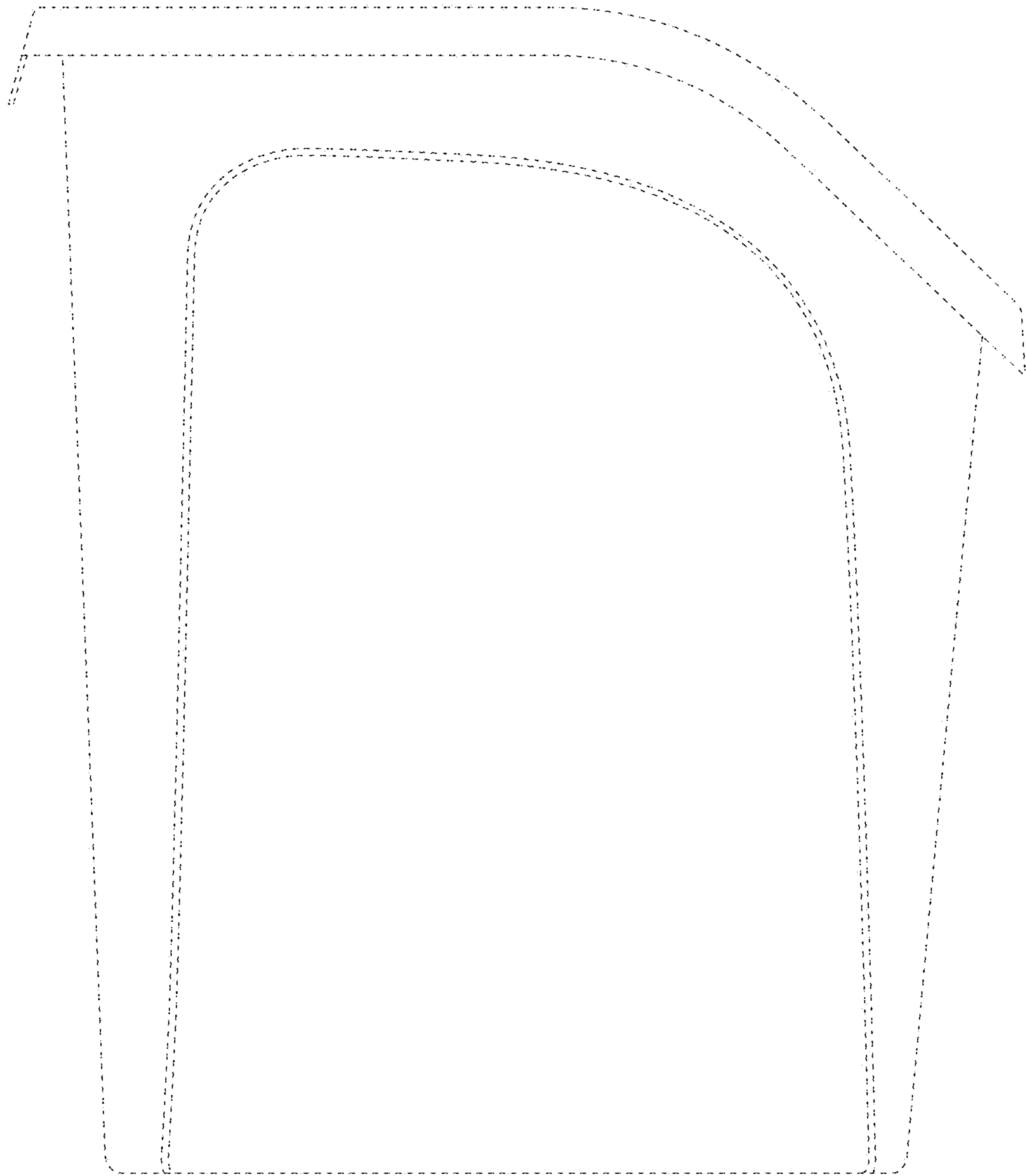


FIG. 8

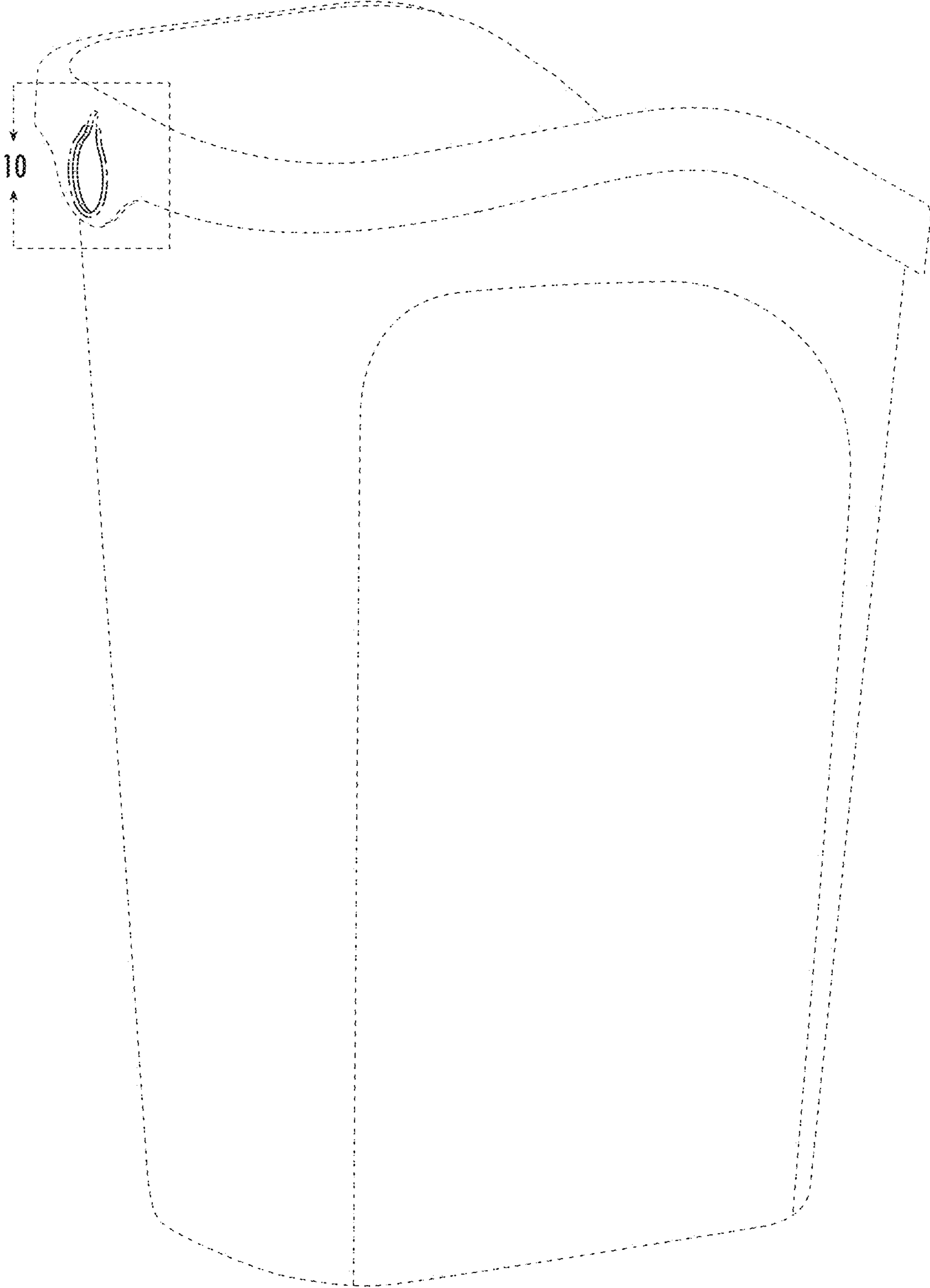


FIG. 9

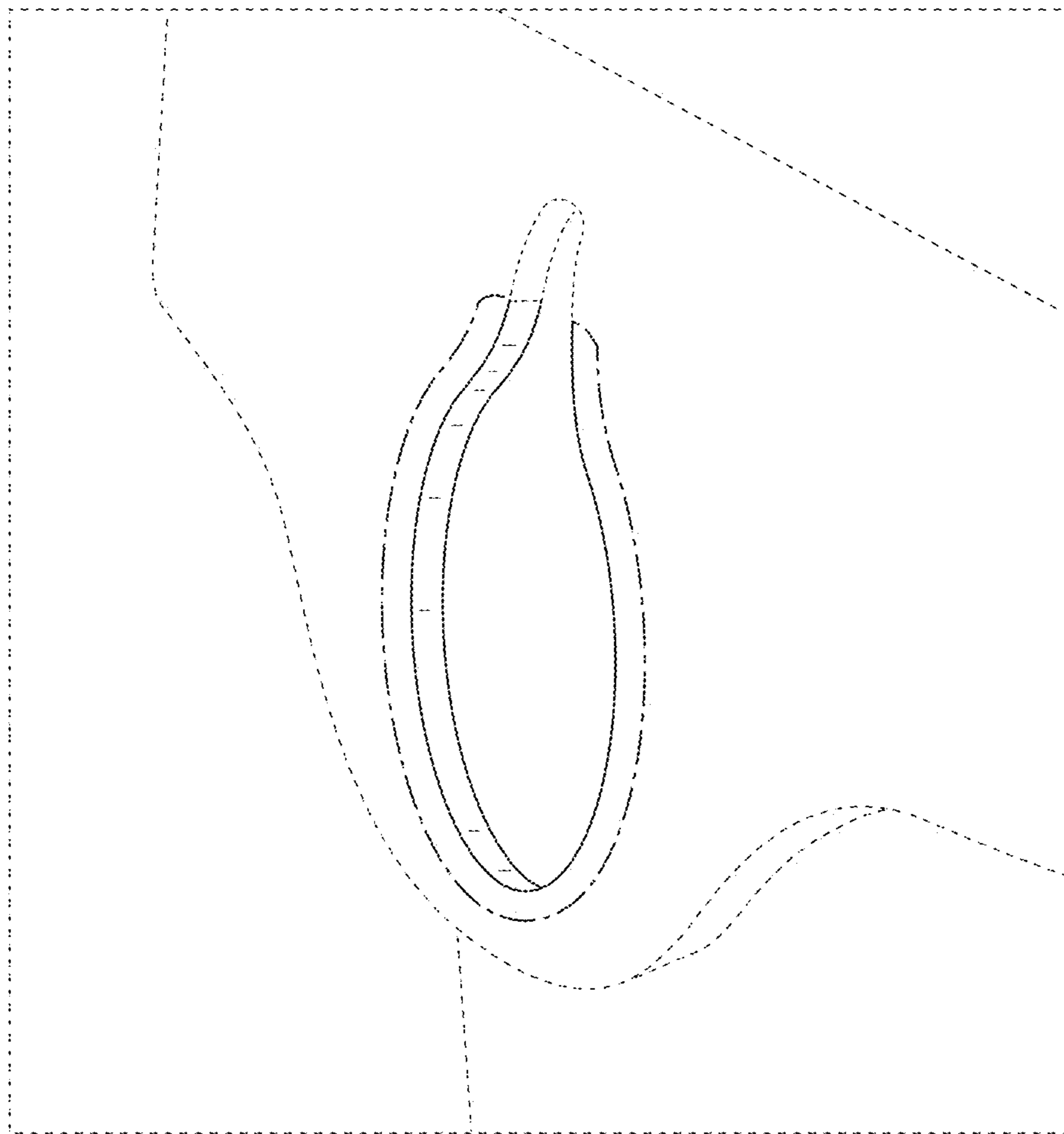


FIG. 10

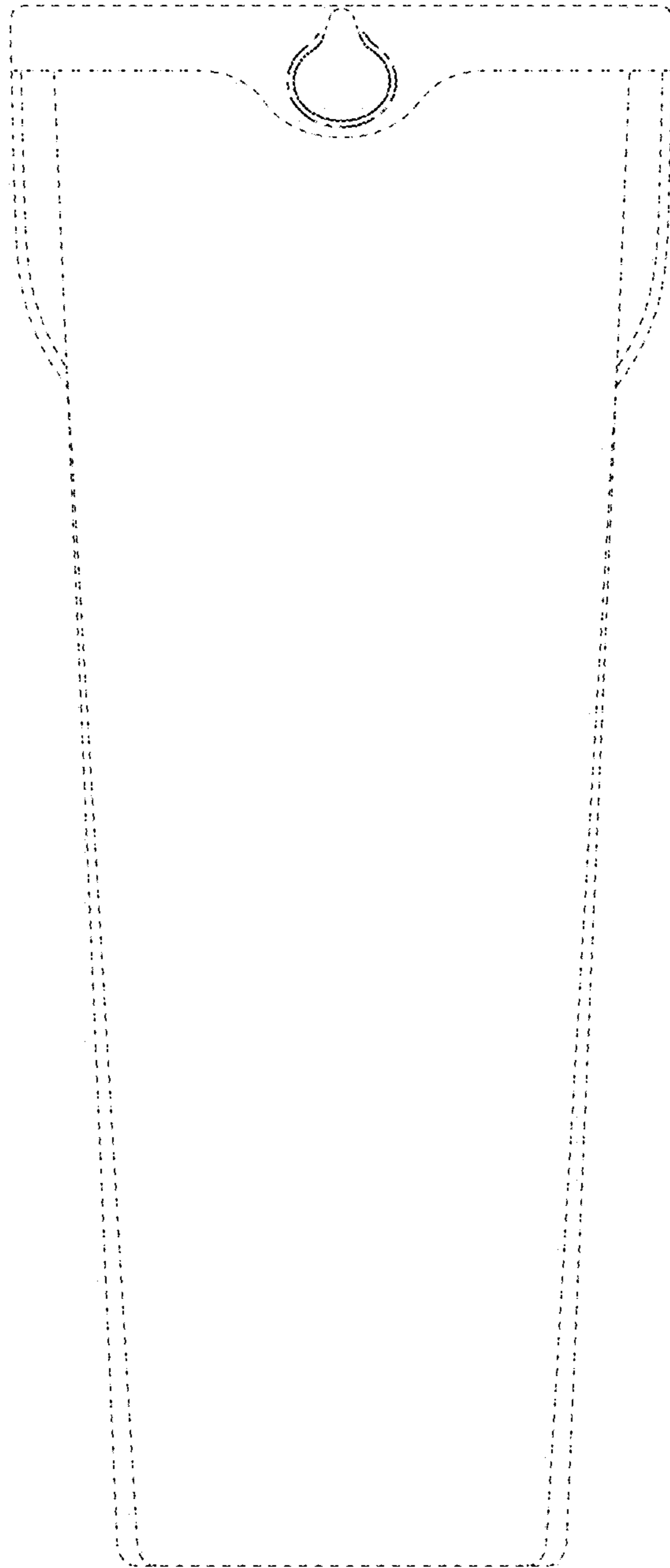


FIG. 11

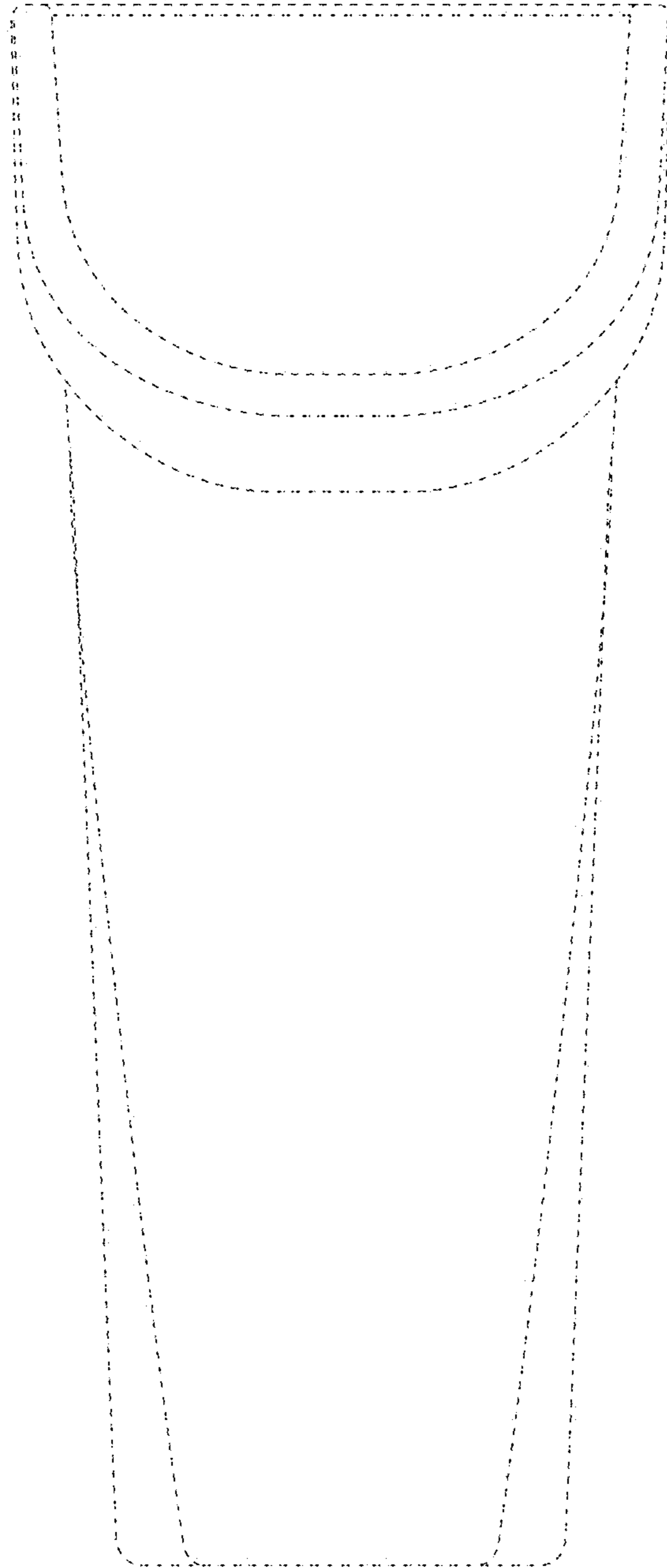


FIG. 12

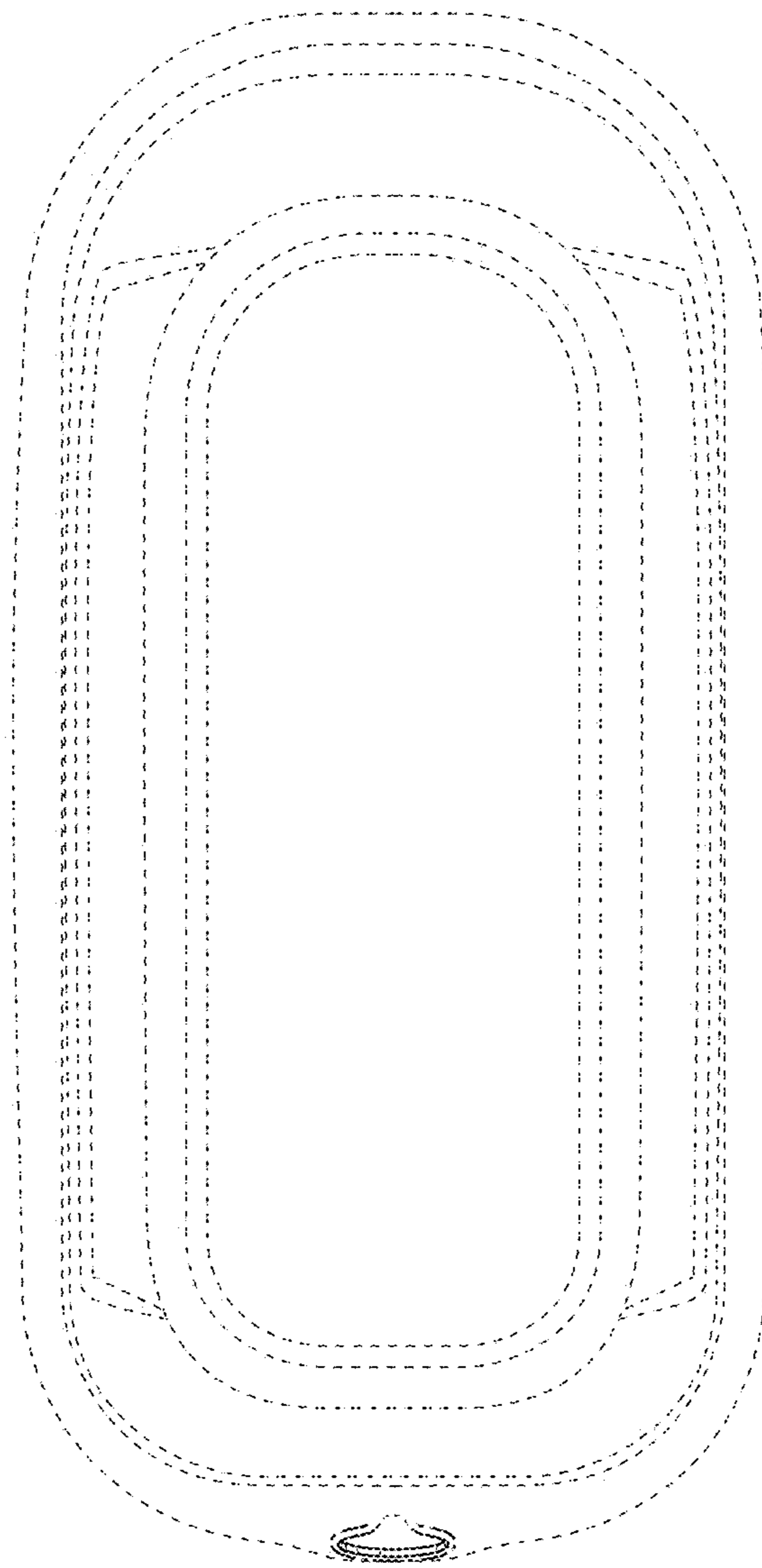


FIG. 13

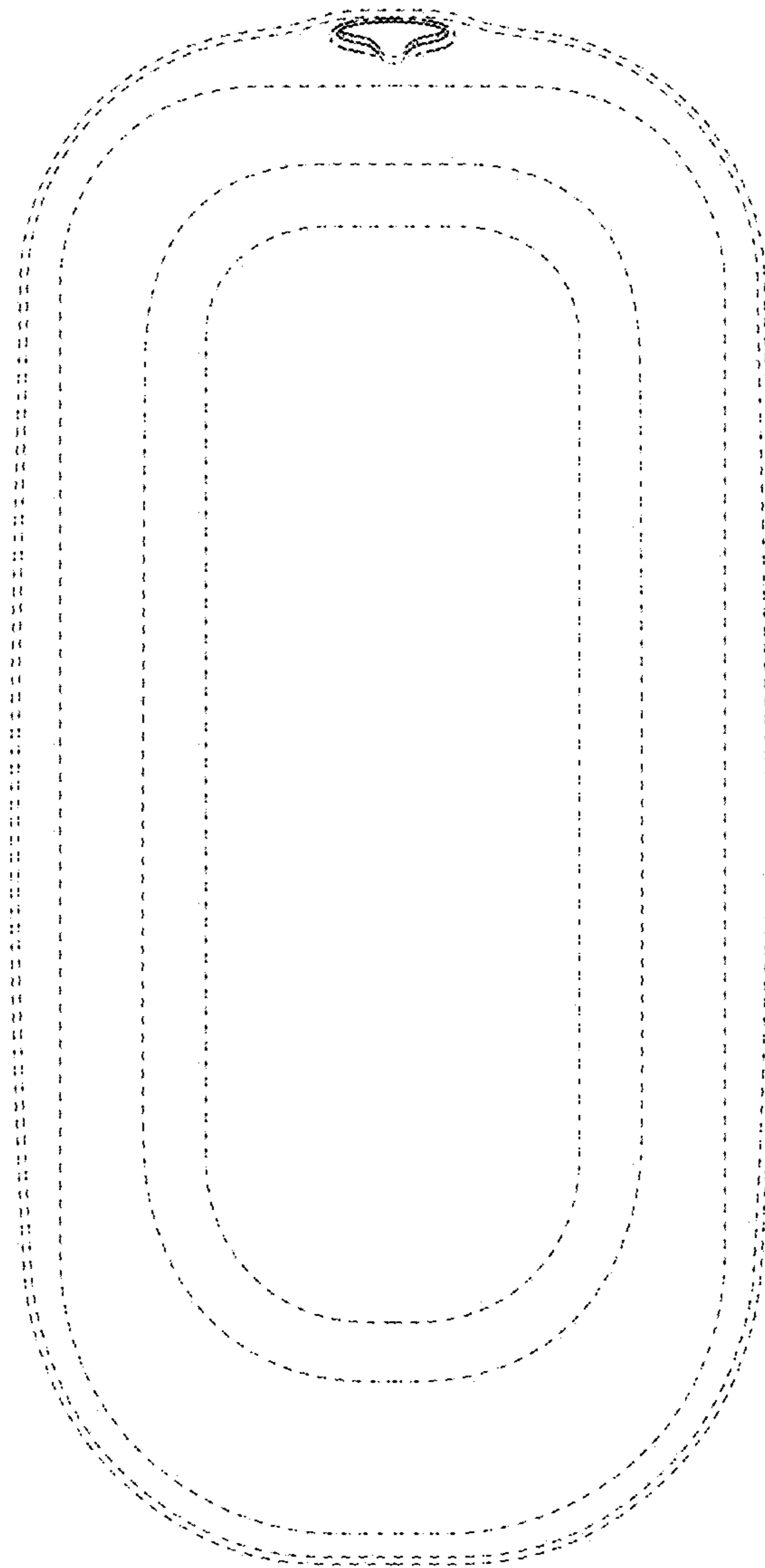


FIG. 14



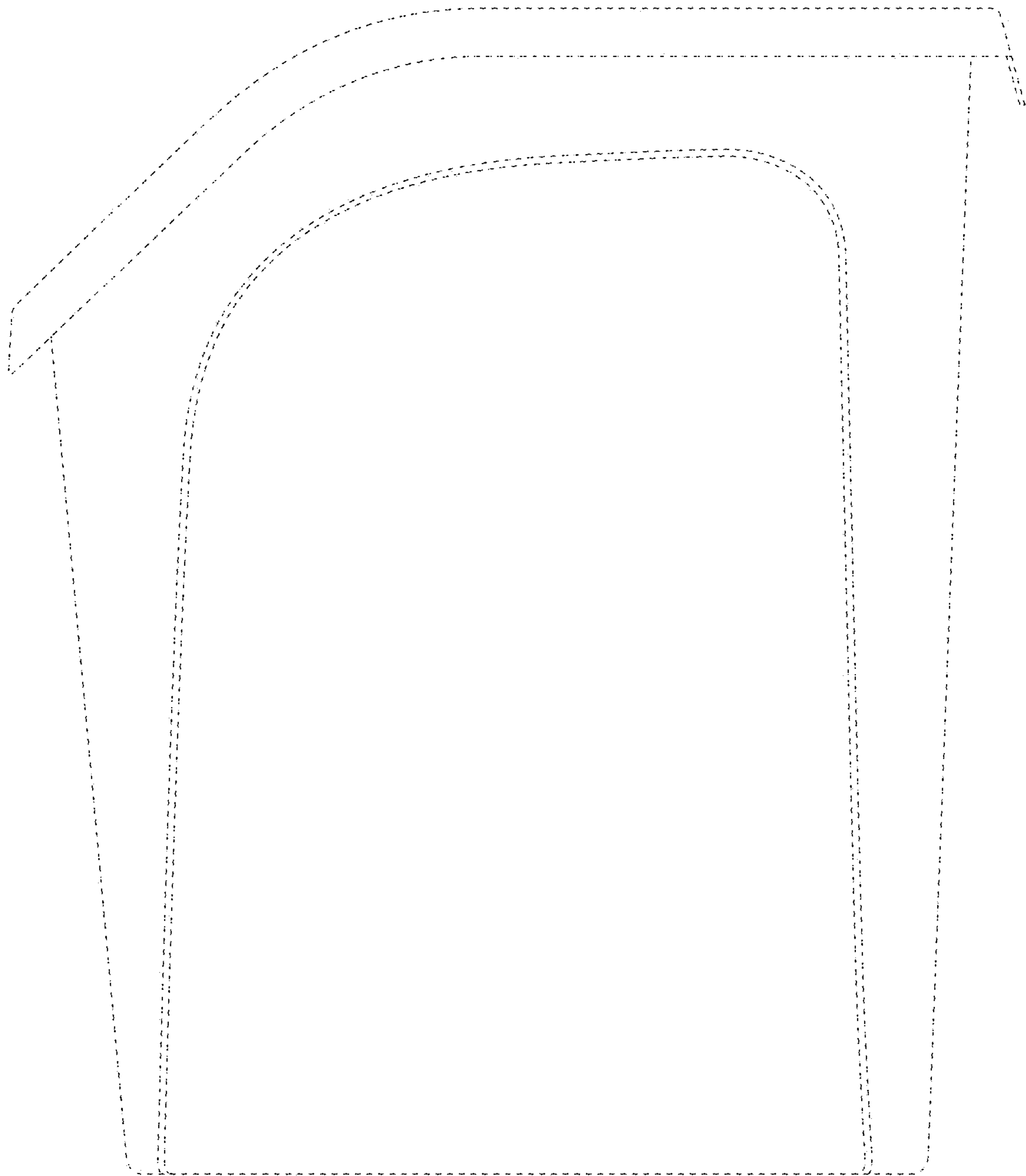


FIG. 15

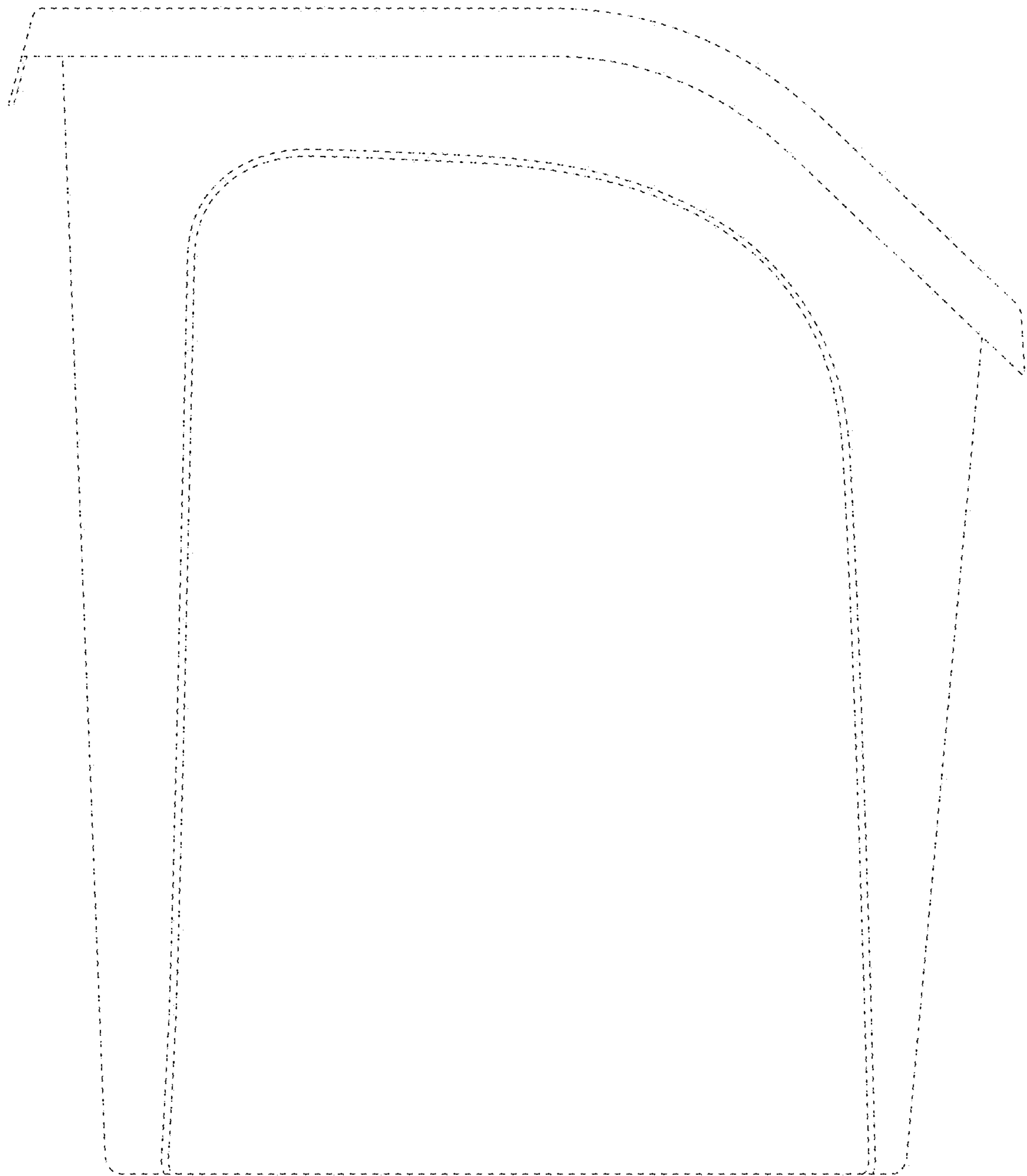


FIG. 16