

US00D919220S

(12) **United States Design Patent** (10) **Patent No.:** **US D919,220 S**  
**Schwalbach** (45) **Date of Patent:** **\*\* May 11, 2021**

(54) **ROLL OUT CART**

FOREIGN PATENT DOCUMENTS

(71) Applicant: **Sierra Container Group LLC**,  
Pasadena, CA (US)

CA 2915390 7/2017  
CA 2852877 9/2017

(Continued)

(72) Inventor: **Michael Joseph Schwalbach**, La  
Canada, CA (US)

OTHER PUBLICATIONS

(73) Assignee: **Sierra Container Group LLC**,  
Pasadena, CA (US)

U.S. Appl. No. 29/625,087, filed Nov. 7, 2017, Roll Out Cart, now  
U.S. Pat. No. D. 868,410, Nov. 26, 2019.

(\*\*) Term: **15 Years**

*Primary Examiner* — Cynthia Ramirez

(21) Appl. No.: **29/714,597**

(74) *Attorney, Agent, or Firm* — Knobbe Martens Olson  
& Bear, LLP

(22) Filed: **Nov. 25, 2019**

**Related U.S. Application Data**

(57) **CLAIM**

(62) Division of application No. 29/625,087, filed on Nov.  
7, 2017, now Pat. No. Des. 868,410.

The ornamental design for a roll out cart, as shown and  
described.

(51) **LOC (13) Cl.** ..... **09-09**

(52) **U.S. Cl.**  
USPC ..... **D34/5**

**DESCRIPTION**

(58) **Field of Classification Search**  
USPC ..... D34/1, 5, 6, 7, 8, 9  
CPC ..... B65F 1/06; B65F 1/067; B65F 1/1607;  
B65F 1/163; B65F 1/062; B65F 1/1623  
See application file for complete search history.

FIG. 1 is a left, front, and top perspective view of a roll out  
cart showing my new design.

FIG. 2 is a right, back, and bottom perspective view of the  
roll out cart of FIG. 1;

FIG. 3 is a top plan view of the roll out cart of FIG. 1;

FIG. 4 is a bottom plan view of the roll out cart of FIG. 1;

FIG. 5 is a front elevational view of the roll out cart of FIG.  
1;

FIG. 6 is a back elevational view of the roll out cart of FIG.  
1;

FIG. 7 is a right elevational view of the roll out cart of FIG.  
1; and,

FIG. 8 is a left elevational view of the roll out cart of FIG.  
1.

The broken lines in the figures are included for the purpose  
of illustrating portions of the roll out cart and form no part  
of the claimed design.

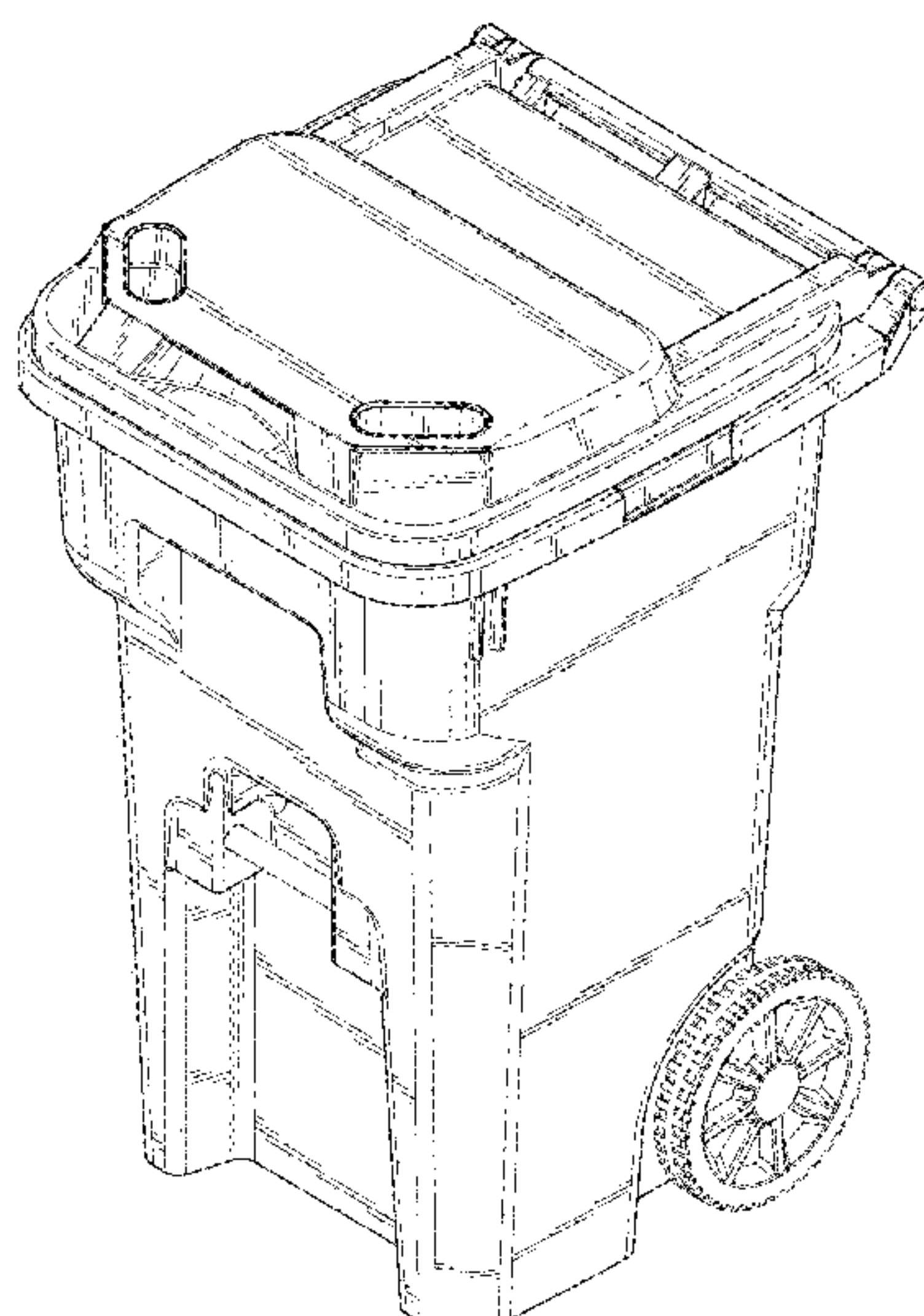
(56) **References Cited**

U.S. PATENT DOCUMENTS

D347,095 S \* 5/1994 Apps ..... D34/5  
D388,577 S 12/1997 Rehrig et al.  
D398,120 S 9/1998 Rehrig et al.  
D410,125 S 5/1999 Rehrig et al.  
D429,398 S 8/2000 Wysocki  
D445,228 S 7/2001 Apps et al.  
D448,535 S 9/2001 Delmerico  
D458,724 S 6/2002 Delmerico  
D478,197 S 8/2003 Raghunathan  
D491,328 S 6/2004 Aiken et al.  
D532,173 S 11/2006 Aiken et al.

(Continued)

**1 Claim, 8 Drawing Sheets**



(56)

References Cited

U.S. PATENT DOCUMENTS

D535,448 S 1/2007 Kilduff et al.  
 D554,821 S 11/2007 Blanchard et al.  
 D554,824 S 11/2007 Blanchard et al.  
 D562,523 S 2/2008 Blanchard et al.  
 D571,070 S 6/2008 Blanchard et al.  
 D573,322 S 7/2008 Blanchard et al.  
 D577,170 S 9/2008 Meers  
 D586,972 S 2/2009 Yang et al.  
 D591,859 S 5/2009 Stark et al.  
 D617,971 S 6/2010 Van Ledingham, Jr. et al.  
 D624,723 S 9/2010 Raghunathan et al.  
 D643,174 S 8/2011 Raghunathan et al.  
 D643,988 S 8/2011 Arthurson  
 D646,037 S 9/2011 Arthurson  
 8,141,921 B2 3/2012 Apps et al.  
 D657,106 S 4/2012 Talbot et al.  
 8,449,008 B2 5/2013 Apps et al.  
 8,631,940 B2 1/2014 Hay et al.  
 8,714,404 B2\* 5/2014 Raghunathan ..... B65F 1/1468  
 220/770  
 D707,905 S \* 6/2014 Nolet ..... D34/5  
 D707,906 S \* 6/2014 Nolet ..... D34/5  
 D707,907 S \* 6/2014 Nolet ..... D34/5  
 D707,908 S 6/2014 Nolet et al.  
 8,770,641 B2 7/2014 Hassell et al.  
 8,944,742 B2 2/2015 Hill  
 8,997,643 B2 4/2015 Hallman et al.  
 D756,052 S 5/2016 Del Rosario et al.  
 D756,053 S 5/2016 Nolet  
 9,346,616 B2 5/2016 Foster  
 9,365,346 B2 6/2016 Mcdade et al.  
 D771,893 S 11/2016 Del Rosario et al.  
 D782,758 S 3/2017 Bu et al.  
 9,611,095 B2 4/2017 Huff  
 9,611,096 B2 4/2017 Brokaw  
 D789,012 S 6/2017 Labrecque et al.  
 9,688,470 B2 6/2017 Kirby  
 D793,022 S 7/2017 Liao  
 9,718,615 B2 8/2017 Ragunathan et al.  
 9,738,444 B1 8/2017 Uffner et al.  
 9,738,445 B2 8/2017 Foster  
 9,745,129 B2 8/2017 Brokaw  
 D796,765 S \* 9/2017 Uffner ..... D34/5  
 9,783,362 B2 10/2017 Boyea  
 9,821,956 B2 11/2017 Wright  
 9,938,078 B2 4/2018 Yamada  
 9,963,276 B1 5/2018 Arthurs et al.  
 9,975,694 B1 5/2018 Foster  
 9,975,695 B2 5/2018 Reeb et al.  
 D820,544 S 6/2018 Joseph  
 10,035,529 B2 7/2018 DePadro  
 D826,506 S 8/2018 Labrecque et al.  
 D827,967 S 9/2018 Foster  
 D829,399 S 9/2018 Genois et al.  
 10,173,835 B2 1/2019 Lappeman  
 10,189,307 B2 1/2019 Morris  
 10,203,237 B2 2/2019 Gwon et al.

10,208,512 B1 2/2019 Arthurs et al.  
 10,221,011 B2 3/2019 Stone  
 D845,577 S 4/2019 Foster  
 10,266,340 B2 4/2019 Uffner et al.  
 10,273,006 B2 4/2019 Reiss et al.  
 10,273,082 B2 4/2019 Lounsbury  
 10,285,395 B1 5/2019 Ehrenberg  
 10,301,110 B2 5/2019 Parker  
 10,370,188 B2 8/2019 Foster  
 10,377,567 B1 8/2019 Jones  
 10,414,583 B2 9/2019 Mallett et al.  
 D868,410 S 11/2019 Schwalbach  
 2009/0127809 A1 5/2009 Meers  
 2015/0274416 A1 10/2015 Garcia et al.  
 2016/0068339 A1 3/2016 Mcdade et al.  
 2016/0159571 A1 6/2016 Arrez  
 2017/0183149 A1 6/2017 Aponte et al.  
 2017/0190508 A1 7/2017 Mallett et al.  
 2017/0190509 A1 7/2017 Reeb et al.  
 2017/0197787 A1 7/2017 Reeb  
 2017/0210558 A1 7/2017 Boyea  
 2017/0305667 A1 10/2017 Nakib  
 2017/0313510 A1 11/2017 Peckham  
 2017/0320667 A1 11/2017 Stone  
 2017/0334642 A1 11/2017 Martin, Jr. et al.  
 2017/0341858 A1 11/2017 Cramer et al.  
 2017/0341859 A1 11/2017 Boyea  
 2017/0341860 A1 11/2017 Dodds et al.  
 2017/0341861 A1 11/2017 Uffner et al.  
 2017/0349198 A1 12/2017 DePadro  
 2018/0093826 A1 4/2018 Boyea  
 2018/0105359 A1 4/2018 Chapman  
 2018/0118457 A1 5/2018 Seiffert  
 2018/0134486 A1 5/2018 Parker  
 2018/0170667 A1 6/2018 Marcrander  
 2018/0208396 A1 7/2018 Schoonmaker  
 2018/0229931 A1 8/2018 Shek  
 2018/0257858 A1 9/2018 Apps et al.  
 2018/0282058 A1 10/2018 Rana  
 2018/0305120 A1 10/2018 Yang et al.  
 2018/0319589 A1 11/2018 Foster  
 2018/0339856 A1 11/2018 Reeb et al.  
 2018/0362251 A1 12/2018 Randall  
 2019/0001029 A1 1/2019 Davie et al.  
 2019/0002198 A1 1/2019 Lounsbury  
 2019/0070550 A1 3/2019 Lalomia et al.  
 2019/0079190 A1 3/2019 Shetty et al.  
 2019/0106144 A1 4/2019 McCall  
 2019/0106277 A1 4/2019 Reyes  
 2019/0161271 A1 5/2019 Dworkin  
 2019/0168962 A1 6/2019 Smith  
 2019/0202633 A1 7/2019 Cohan  
 2019/0225420 A1 7/2019 Lounsbury

FOREIGN PATENT DOCUMENTS

CA 2928276 10/2017  
 CA 2982790 6/2018

\* cited by examiner



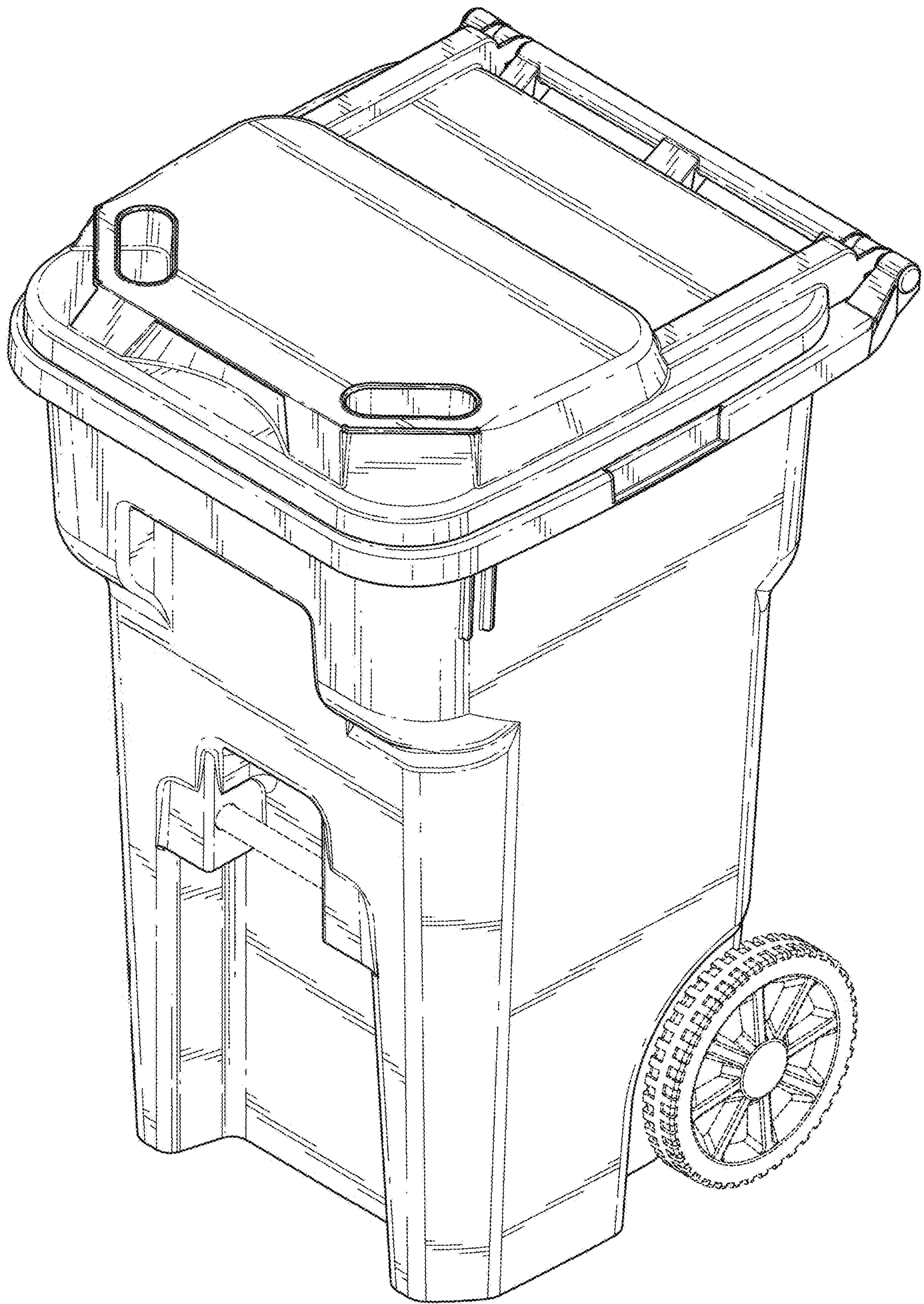


FIG. 1



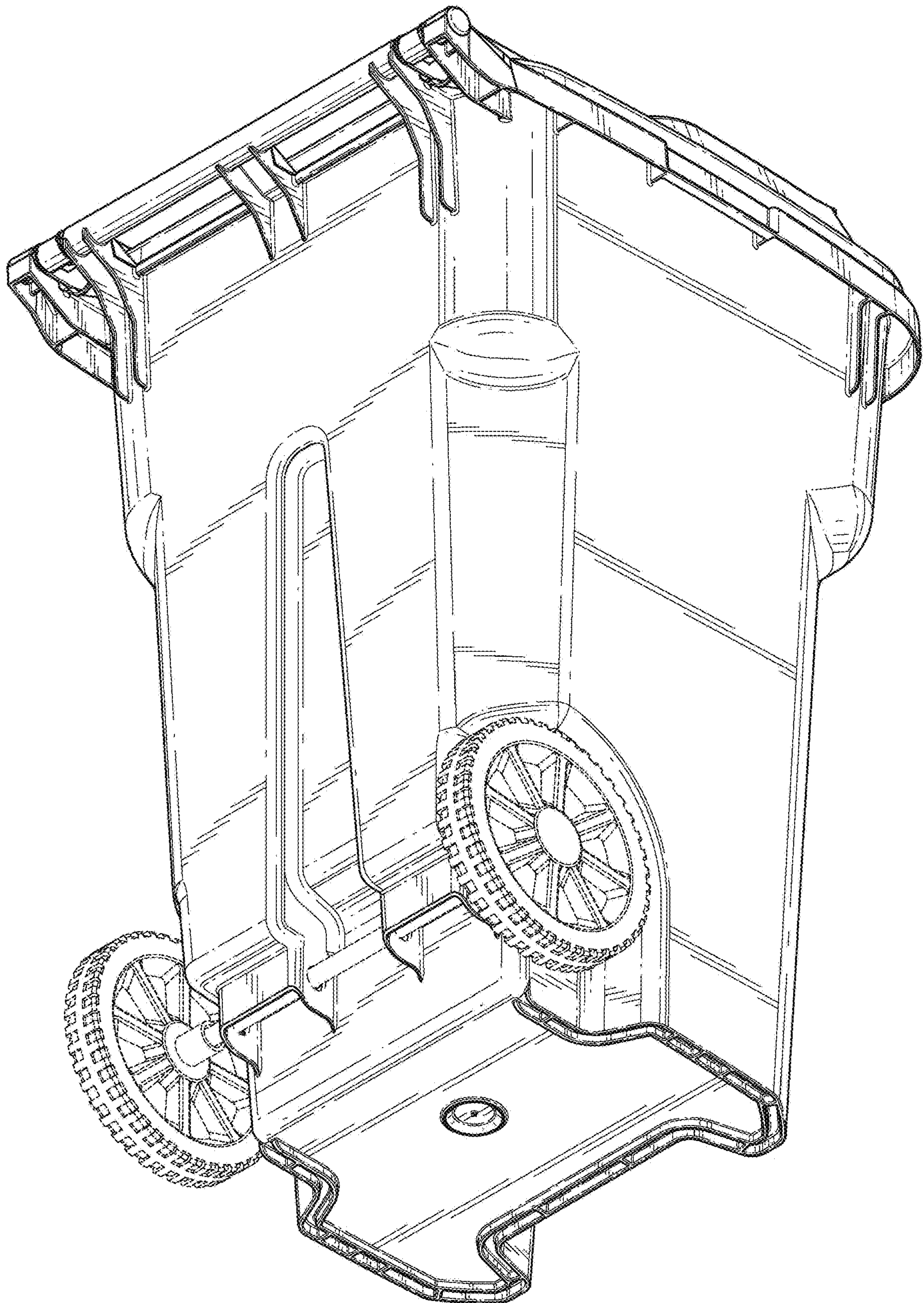


FIG. 2

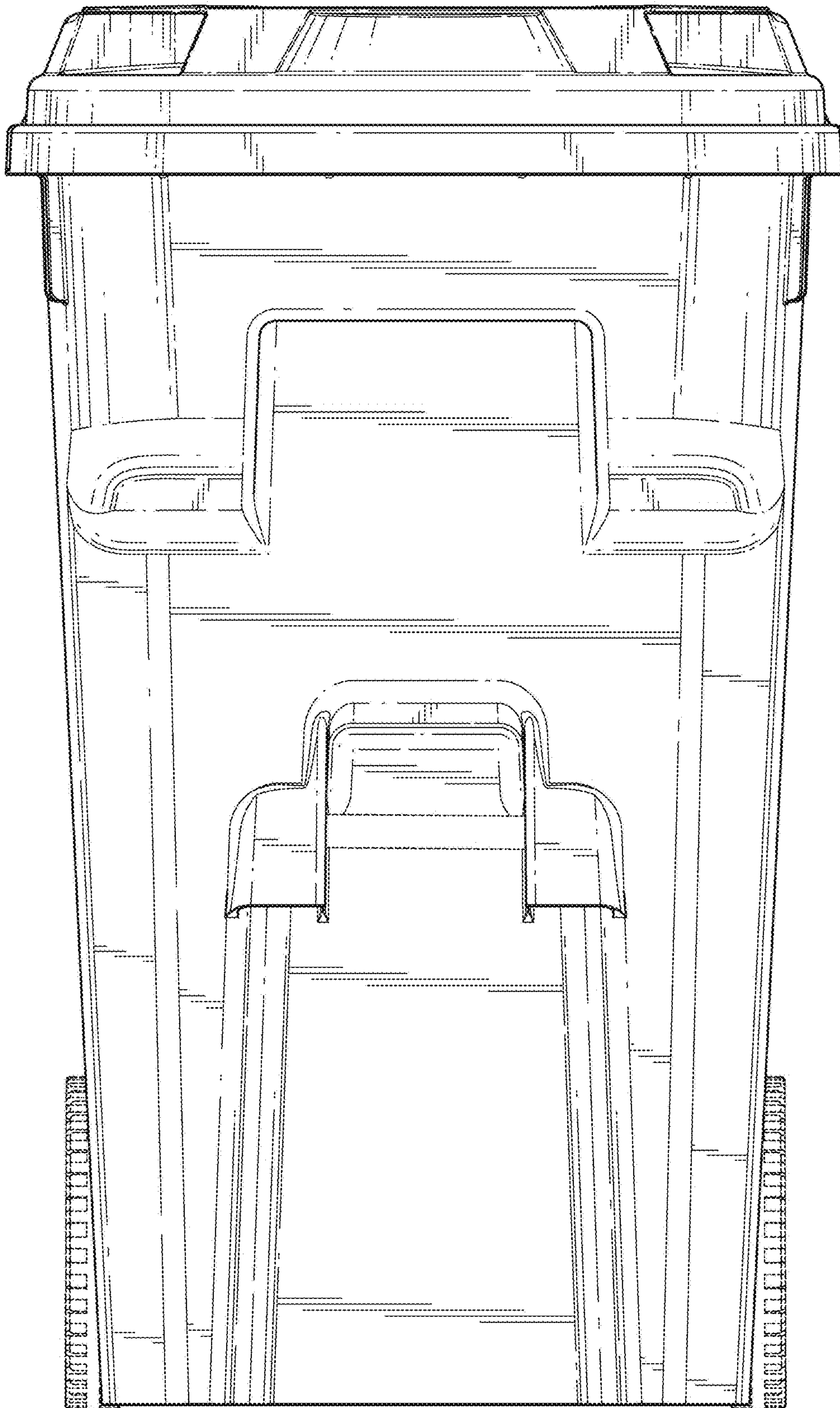


FIG. 3



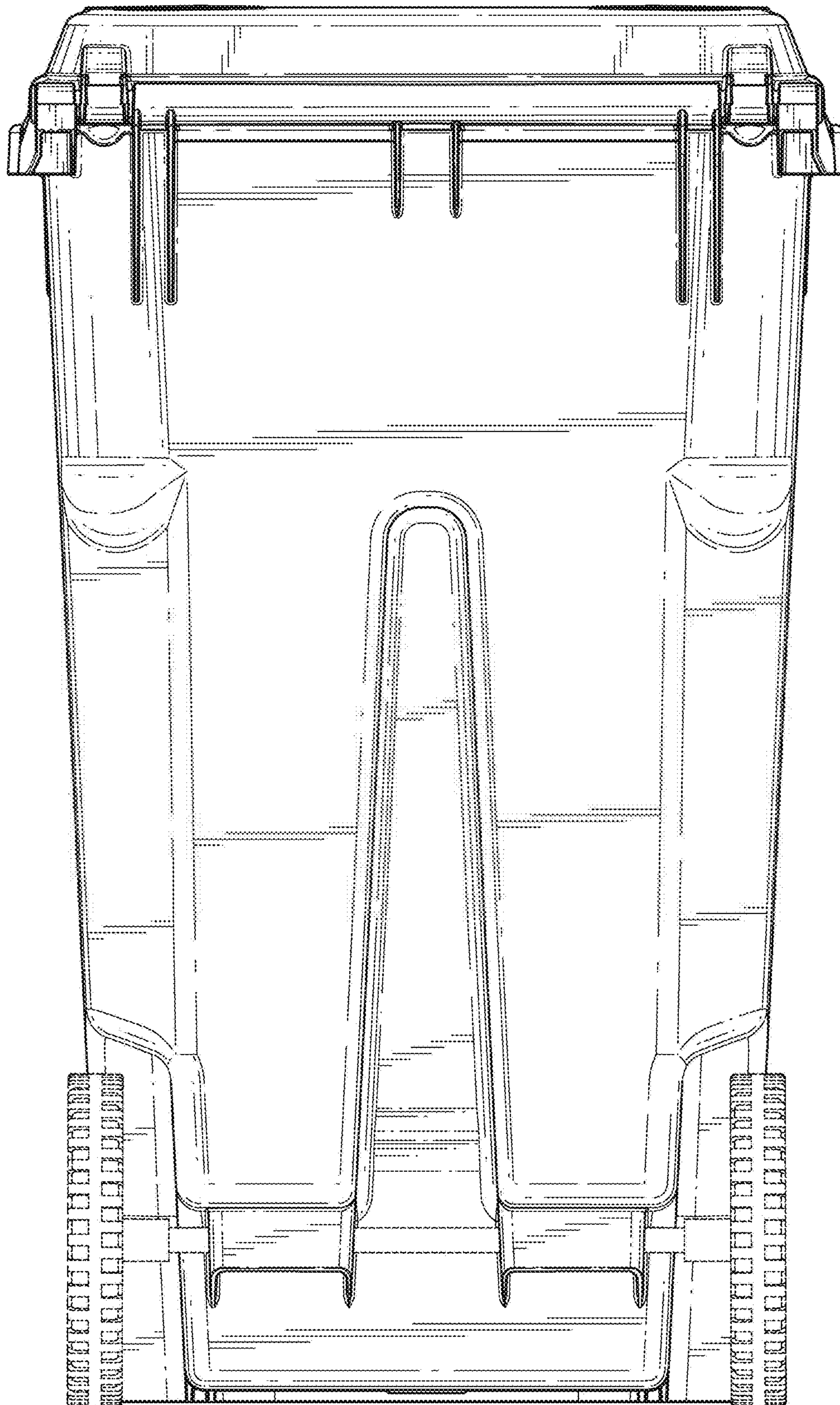


FIG. 4

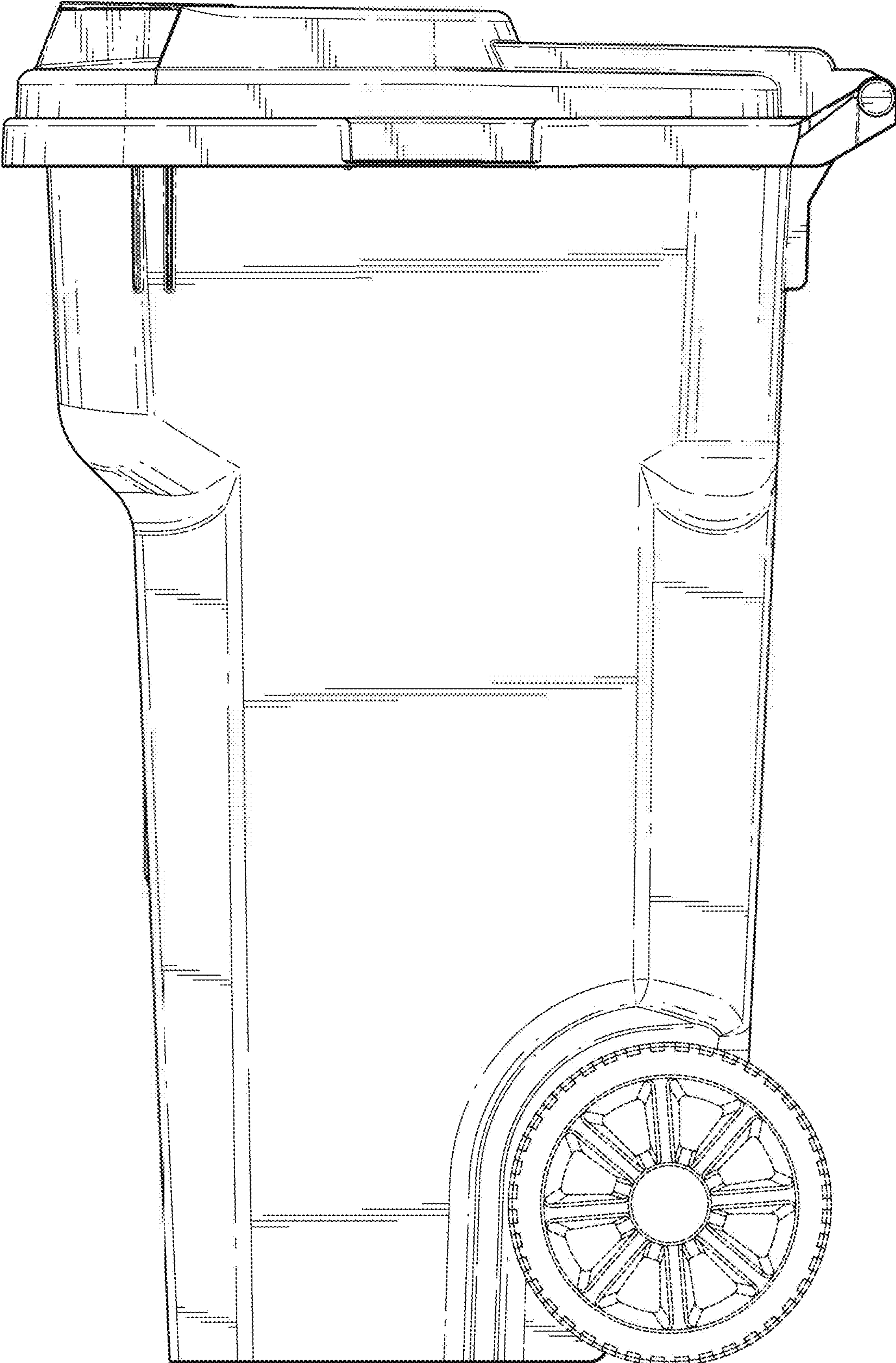


FIG. 5



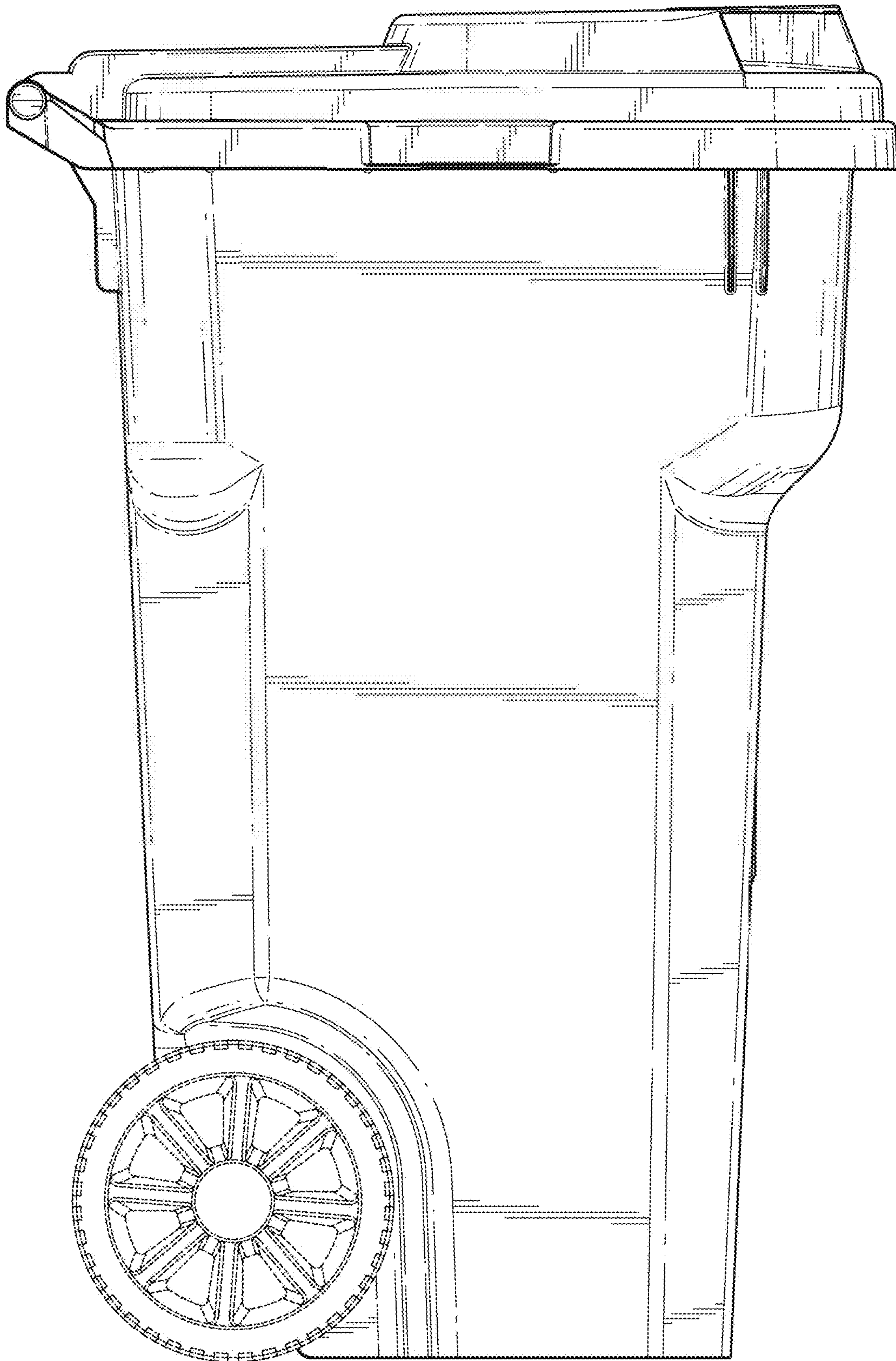


FIG. 6



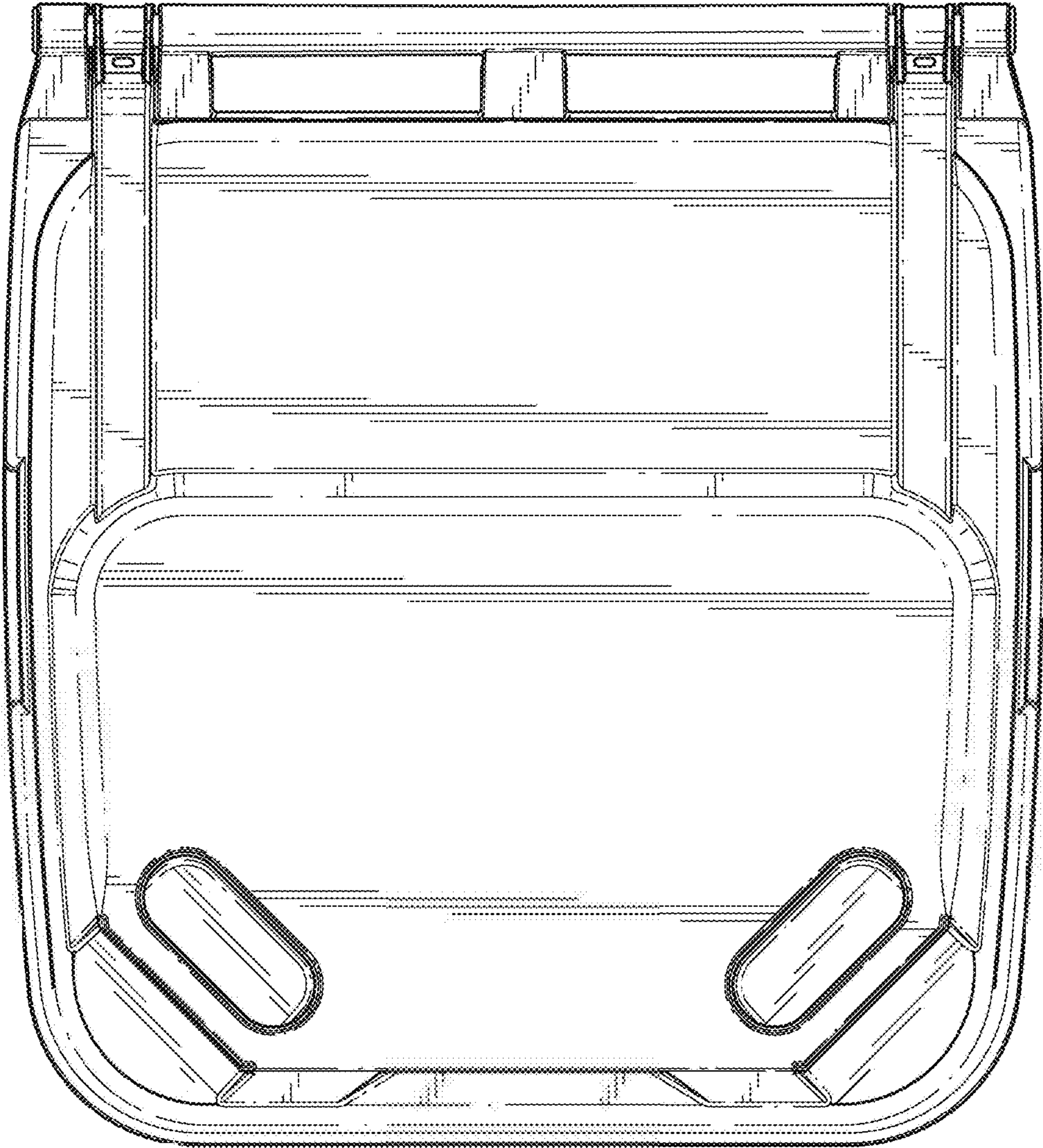


FIG. 7

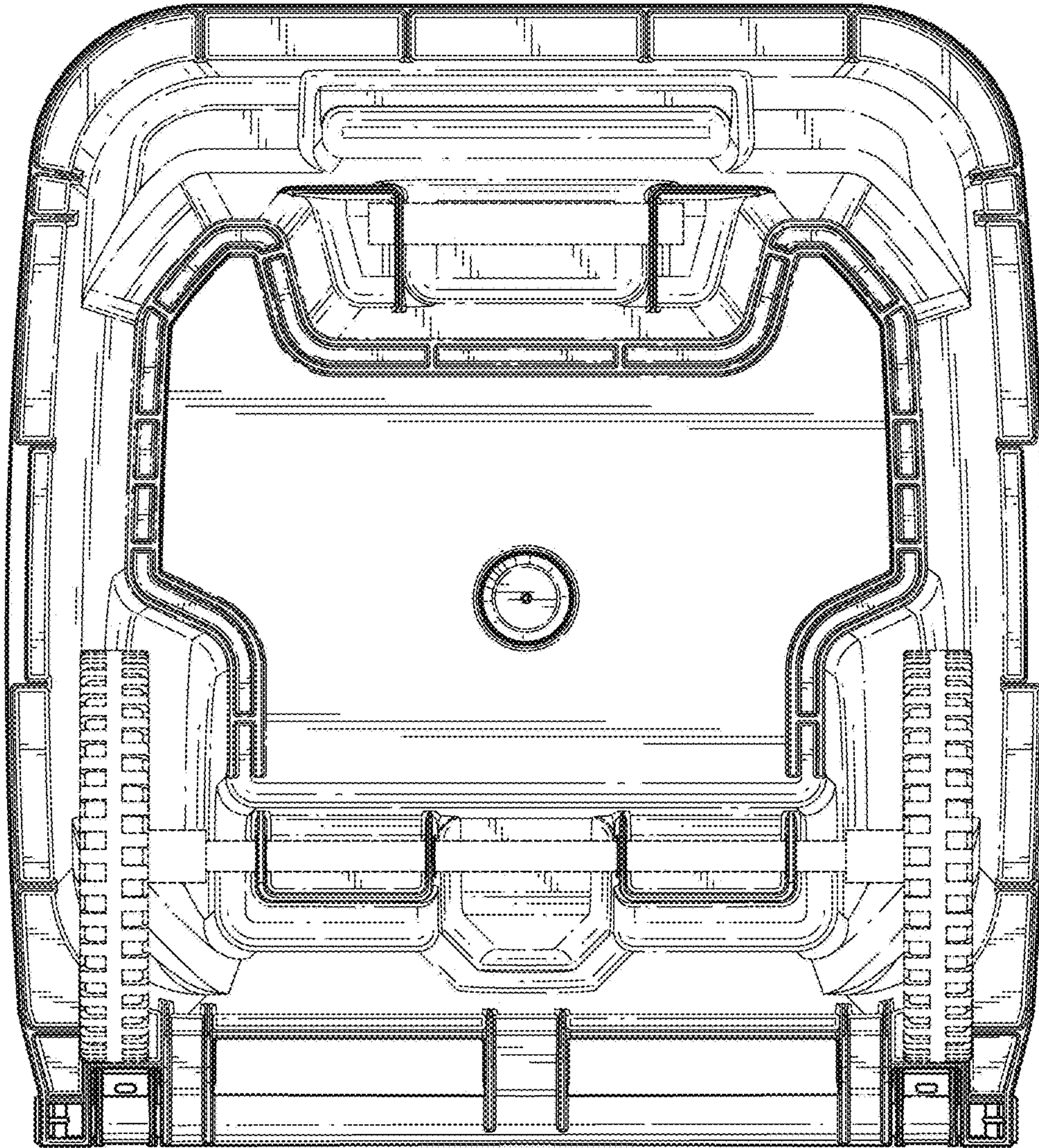


FIG. 8