



US00D919219S

(12) **United States Design Patent** (10) **Patent No.:** **US D919,219 S**
Greenspon et al. (45) **Date of Patent:** **** May 11, 2021**

- (54) **COLLAPSIBLE TRASH CAN**
- (71) Applicant: **Honey-Can-Do International, LLC**,
Berkeley, IL (US)
- (72) Inventors: **Steven Greenspon**, Burr Ridge, IL
(US); **Valerie Snow**, Chicago, IL (US);
Kristina Tarasova, Oak Park, IL (US)
- (73) Assignee: **Honey-Can-Do International, LLC**,
Berkeley, IL (US)
- (**) Term: **15 Years**
- (21) Appl. No.: **29/714,370**
- (22) Filed: **Nov. 22, 2019**
- (51) **LOC (13) Cl.** **09-09**
- (52) **U.S. Cl.**
USPC **D34/1; D7/512**
- (58) **Field of Classification Search**
USPC D34/1, 10, 11; D9/683; D7/532, 612,
D7/512; D11/152; D19/85
CPC B65D 41/26; B65D 21/086; A61J 7/0046;
B65F 1/06; B65F 1/067; B65F 1/1607;
B65F 1/163; B65F 1/062; B65F 1/1623
See application file for complete search history.

Primary Examiner — Cynthia Ramirez
(74) *Attorney, Agent, or Firm* — Adam K. Sacharoff;
Much Shelist, P.C.

(57) **CLAIM**
The collapsible trash can, as shown and described.

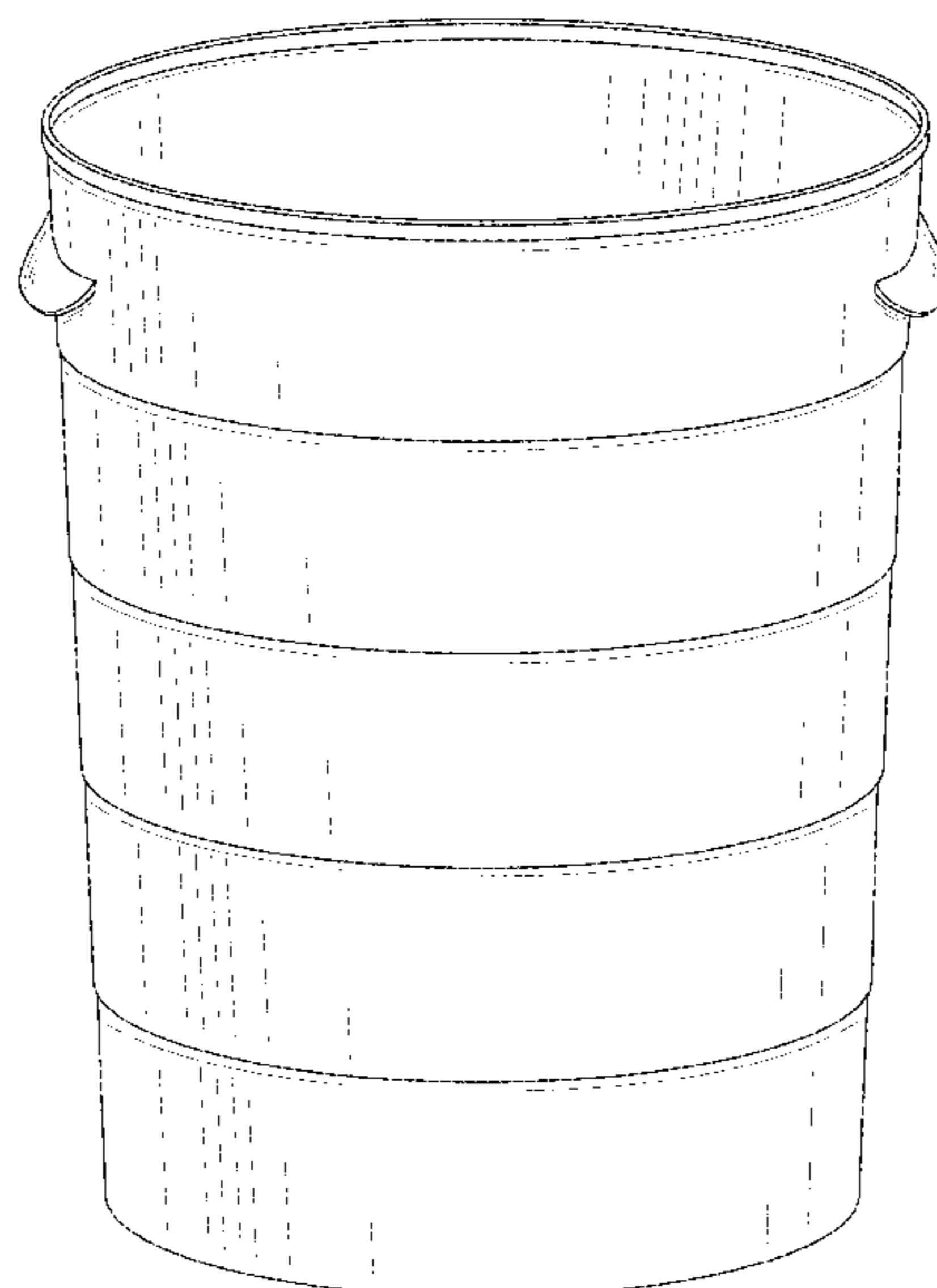
DESCRIPTION

FIG. 1 is a front perspective view showing the new design for a collapsible trash can in the expanded position; FIG. 2 is a front left side perspective view thereof; FIG. 3 is a front perspective view thereof, taken from underneath the collapsible trash can; FIG. 4 is a front left side perspective view thereof, taken from underneath the collapsible trash can; FIG. 5 is a front view thereof, the rear view being a mirror image thereof; FIG. 6 is a left side view thereof, the right side view being a mirror image thereof; FIG. 7 is a top plan view thereof; FIG. 8 is a bottom plan view thereof; FIG. 9 is a front perspective view thereof, taken from above collapsible trash can; FIG. 10 is a front perspective view showing the new design for a collapsible trash can in the collapsed position; FIG. 11 is a front left side perspective view thereof; FIG. 12 is a front perspective view thereof, taken from underneath the collapsible trash can; FIG. 13 is a front left side perspective view thereof, taken from underneath the collapsible trash can; FIG. 14 is a front view thereof, the rear view being a mirror image thereof; FIG. 15 is a left side view thereof, the right side view being a mirror image thereof; FIG. 16 is a top plan view thereof; FIG. 17 is a bottom plan view thereof; and, FIG. 18 is a front perspective view thereof, taken from above collapsible trash can.

- (56) **References Cited**
U.S. PATENT DOCUMENTS
3,285,459 A * 11/1966 Gahm A61J 7/0046
220/8
3,471,058 A * 10/1969 Latham B65D 21/086
222/92
3,872,994 A * 3/1975 Hyde B65D 11/20
220/667
3,939,888 A * 2/1976 Scarnato B65D 1/0292
220/666
D323,048 S * 1/1992 Juul D34/1
D332,203 S * 1/1993 Fernandez-Guthrie D7/512
5,862,932 A 1/1999 Walsh et al.

(Continued)

1 Claim, 18 Drawing Sheets



(56)

References Cited

U.S. PATENT DOCUMENTS

D434,890 S * 12/2000 Cooper D34/1
D538,992 S * 3/2007 Snell D19/85
D538,993 S * 3/2007 Cabeza D34/1
D544,303 S * 6/2007 Strepkoff D7/512
D553,322 S * 10/2007 Naber D34/9
D574,192 S * 8/2008 Schosser D7/509
D643,172 S * 8/2011 Kraemer D34/1
D654,645 S * 2/2012 Meyer D34/1
D656,697 S * 3/2012 McNeil D32/53
D659,337 S * 5/2012 Bradley D34/1
8,556,099 B2 * 10/2013 Perlman B65D 21/086
220/8
D706,010 S * 5/2014 Bijanfar D34/6
D707,413 S * 6/2014 Lin D34/1
D709,660 S * 7/2014 Deen D34/1
D710,650 S * 8/2014 Blum D7/512
D728,183 S * 4/2015 Harris D34/1
D739,782 S * 9/2015 Pettigrew D11/152
D740,162 S * 10/2015 Pettigrew D11/152
D862,023 S * 10/2019 Feng D34/1
D862,029 S * 10/2019 Blakely D34/35
D867,606 S * 11/2019 Shapiro D24/197
D871,151 S * 12/2019 Hudson D7/532
D895,372 S * 9/2020 Loudenslager D7/584
D903,424 S * 12/2020 Scott B65D 1/00
D7/532
2002/0130224 A1 * 9/2002 Asaro B65F 1/06
248/95
2013/0264340 A1 * 10/2013 Zens B65B 1/02
220/8
2015/0253055 A1 * 9/2015 Tsui B62B 5/066
62/62
2016/0272418 A1 * 9/2016 Han B65F 1/06

* cited by examiner

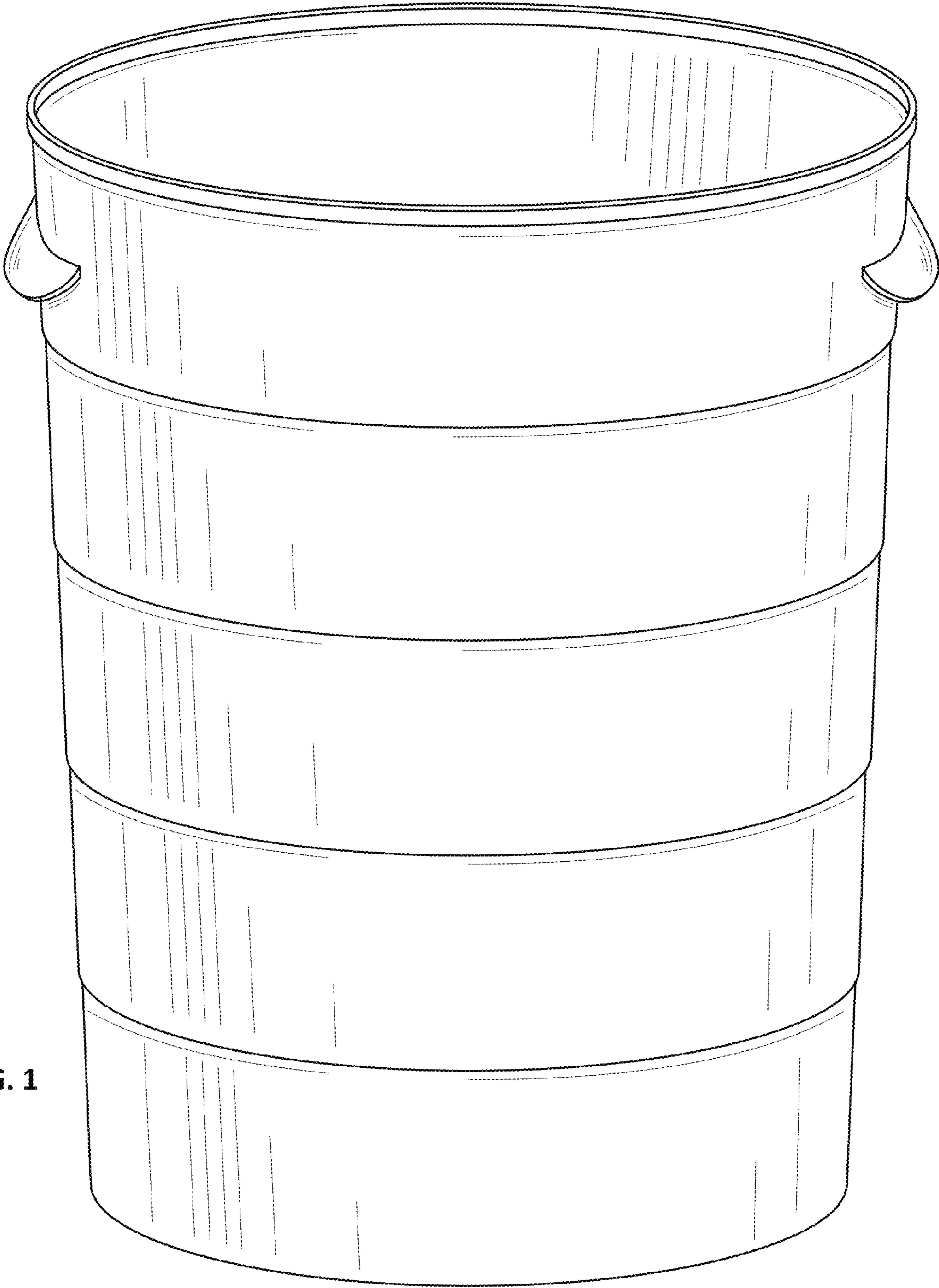


FIG. 1

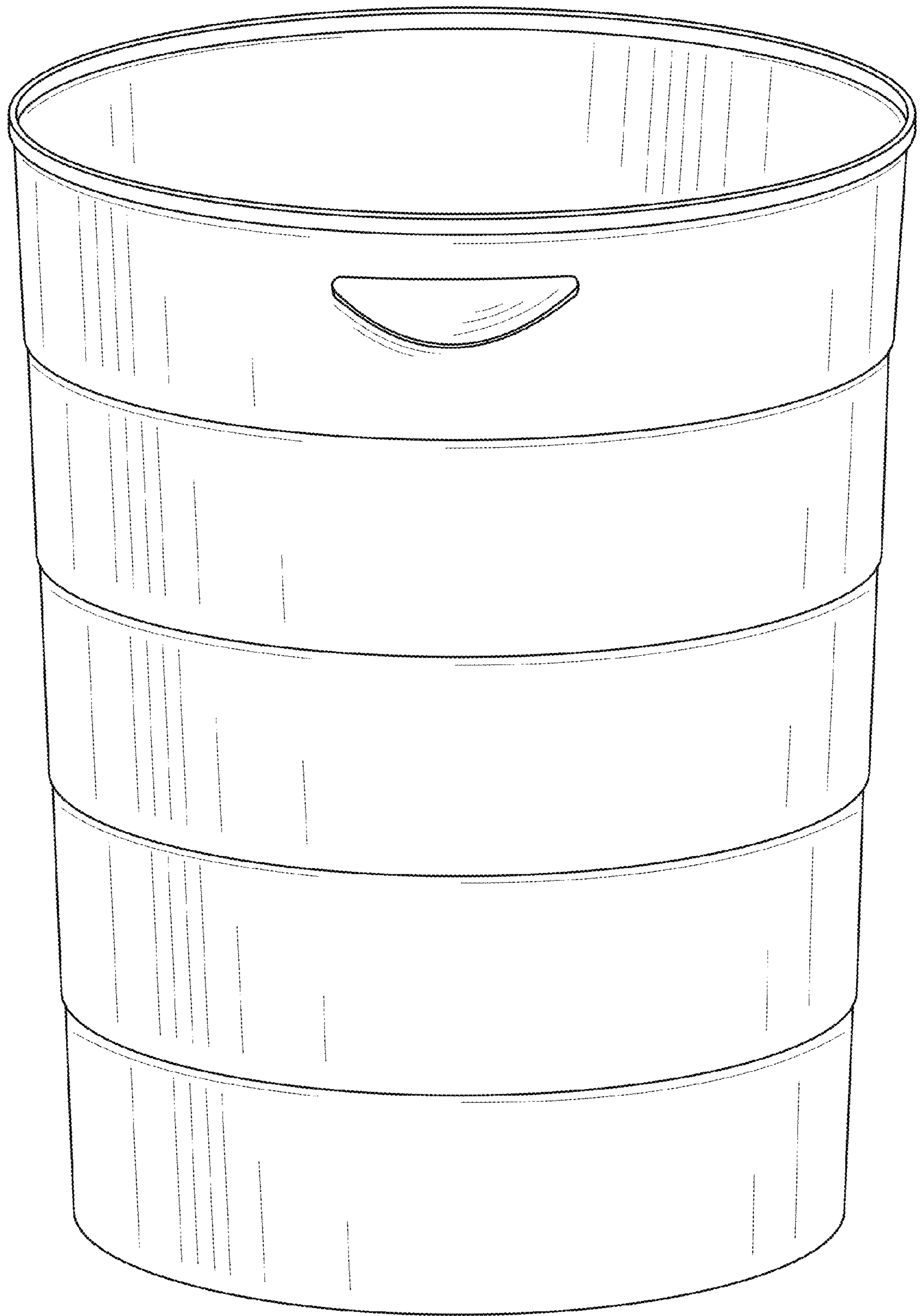


FIG. 2

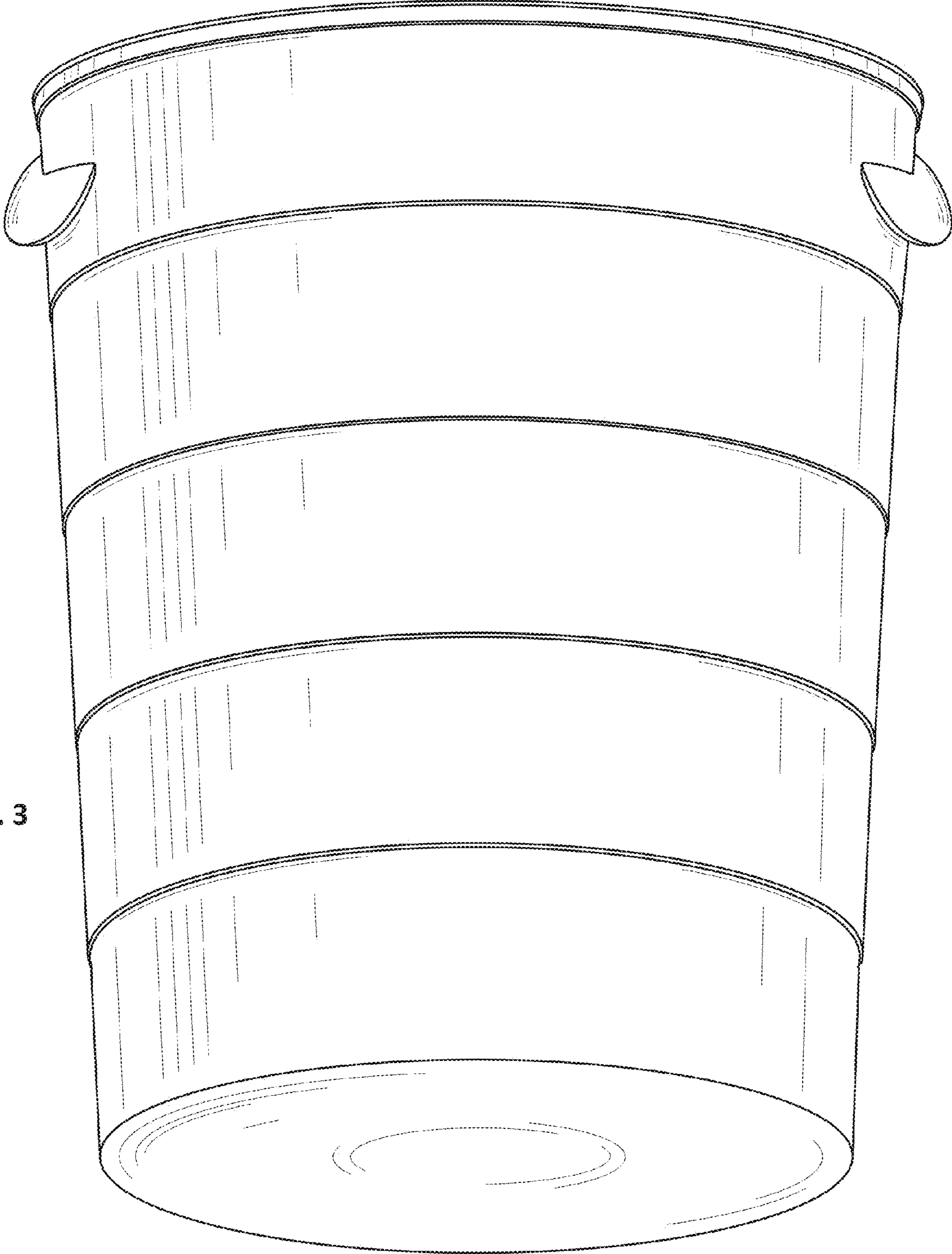


FIG. 3

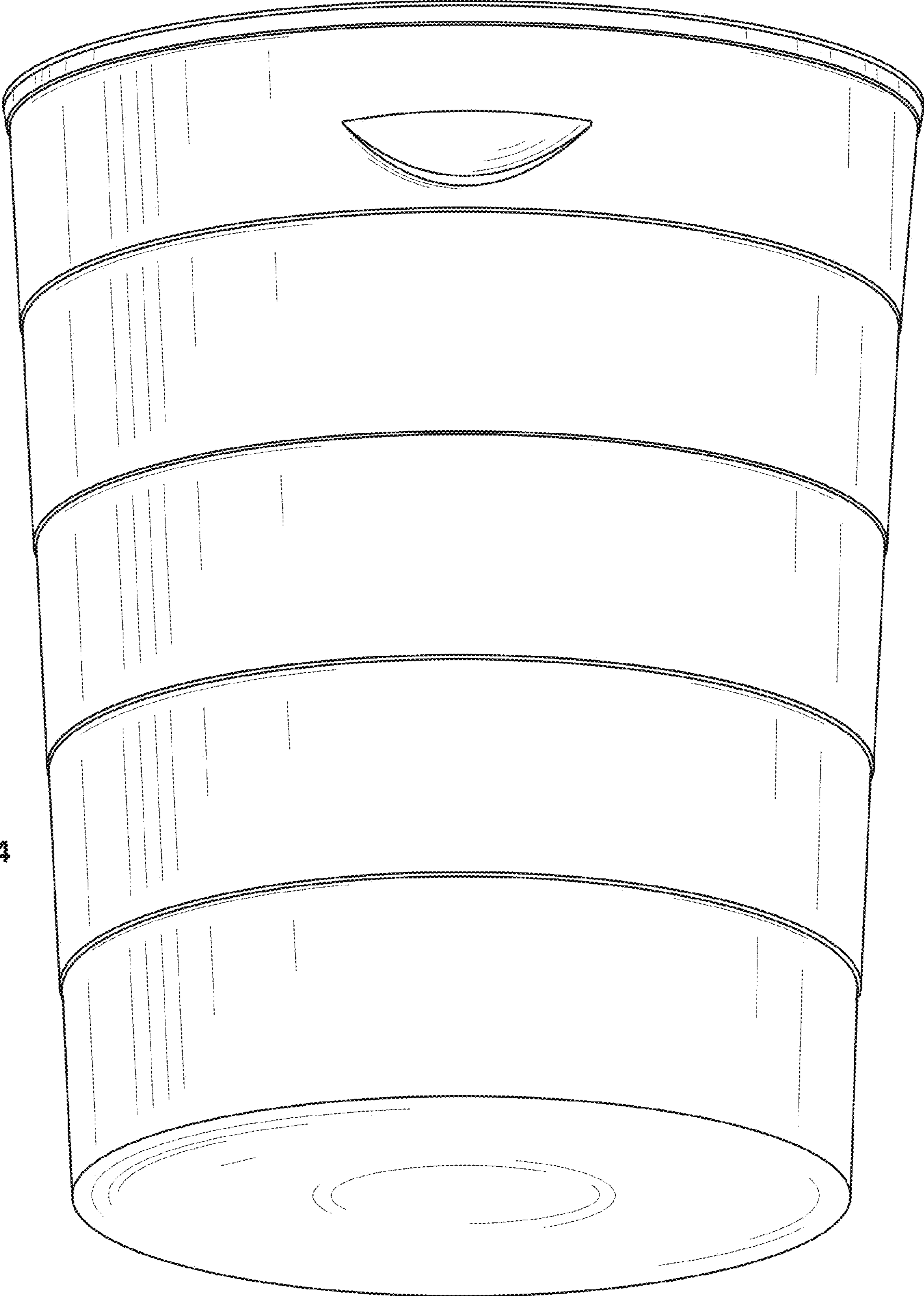


FIG. 4

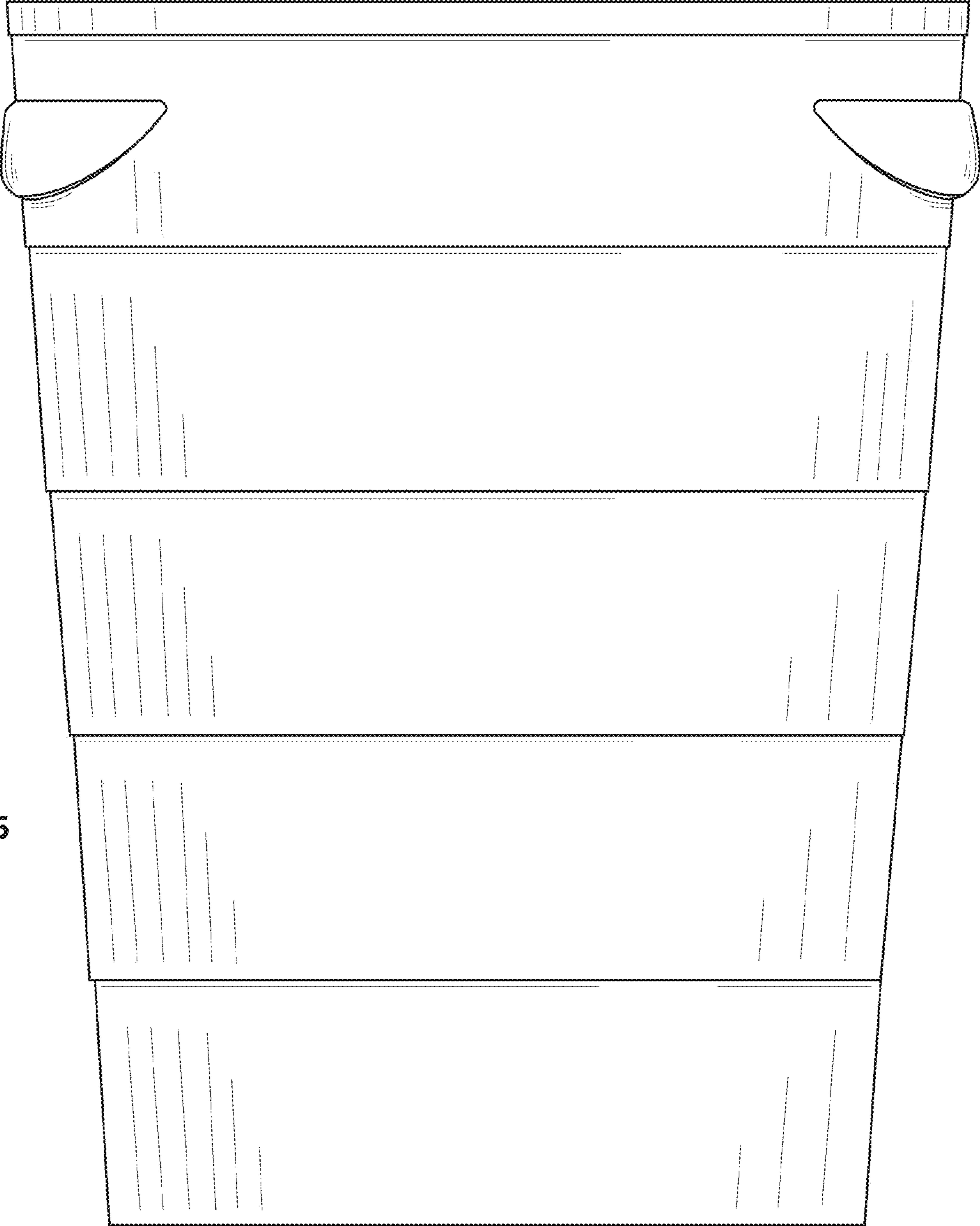


FIG. 5

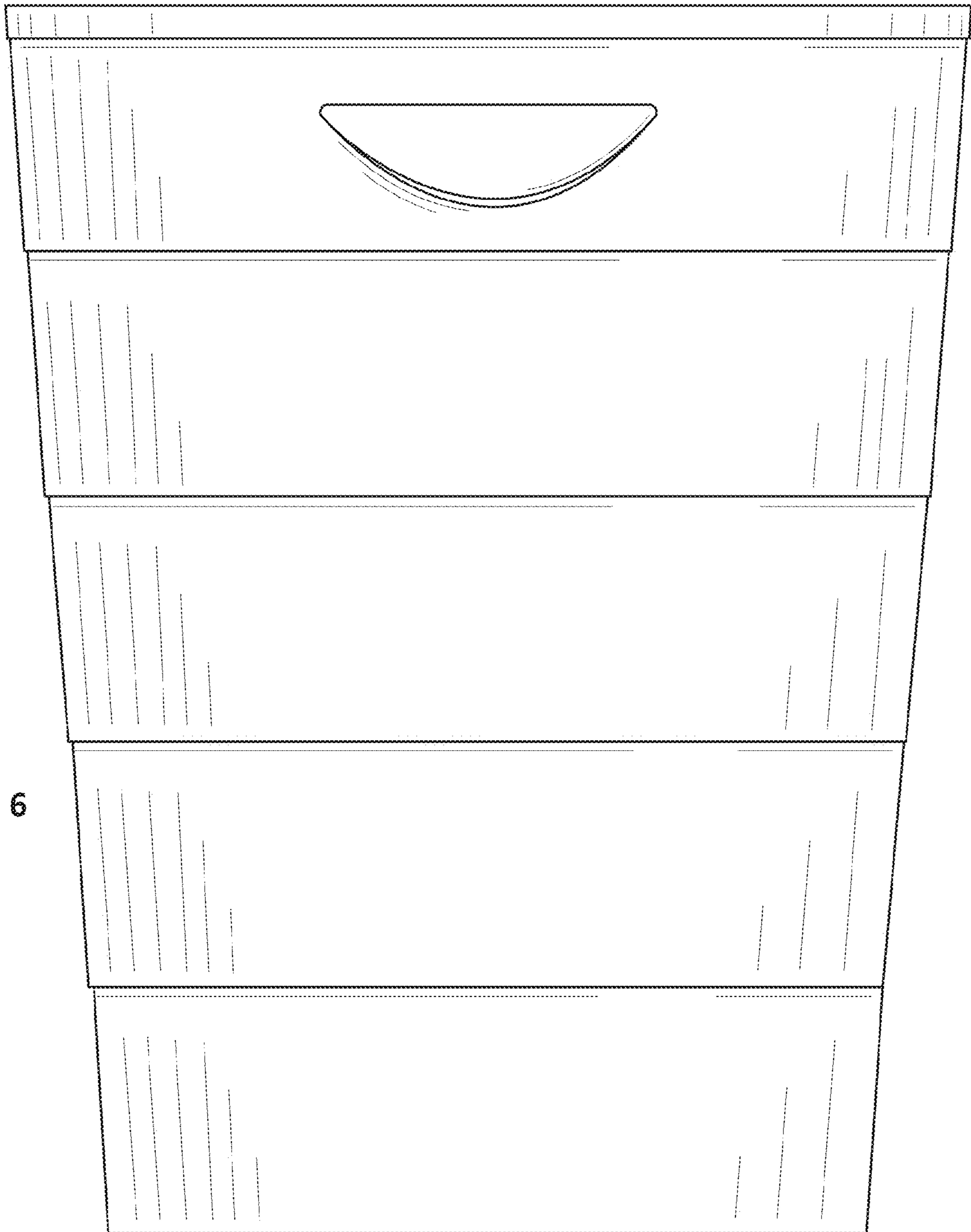


FIG. 6

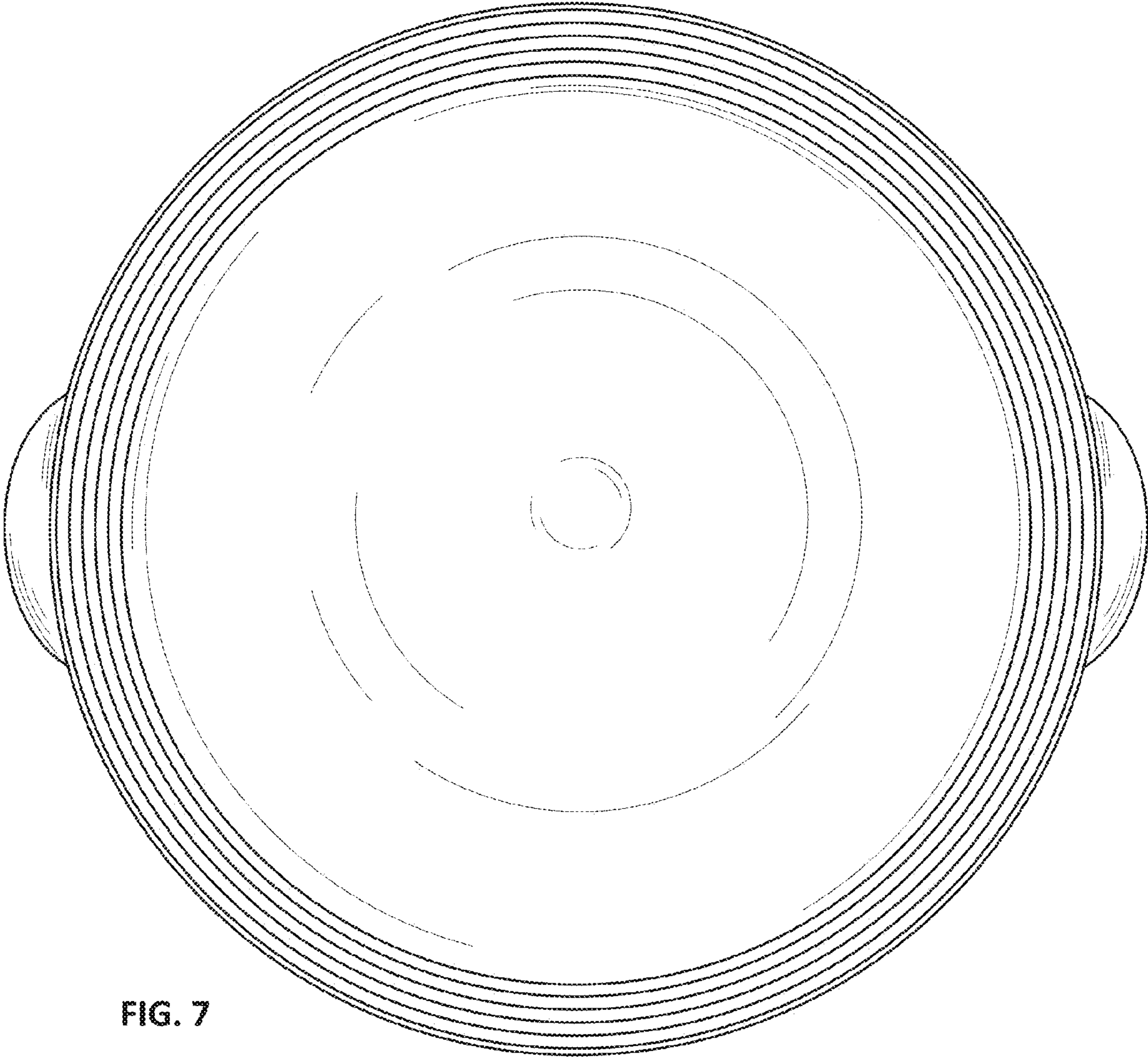


FIG. 7

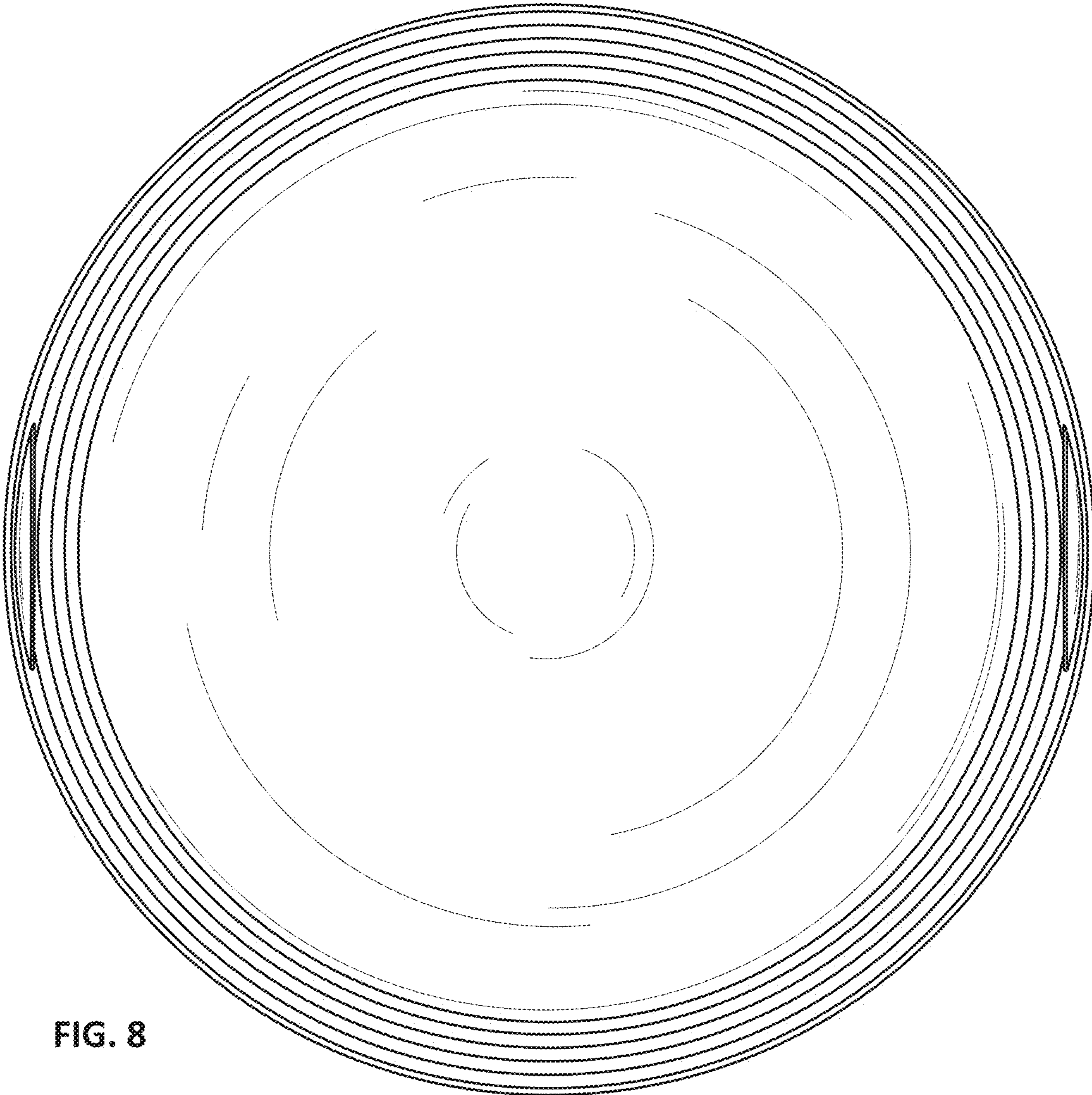


FIG. 8

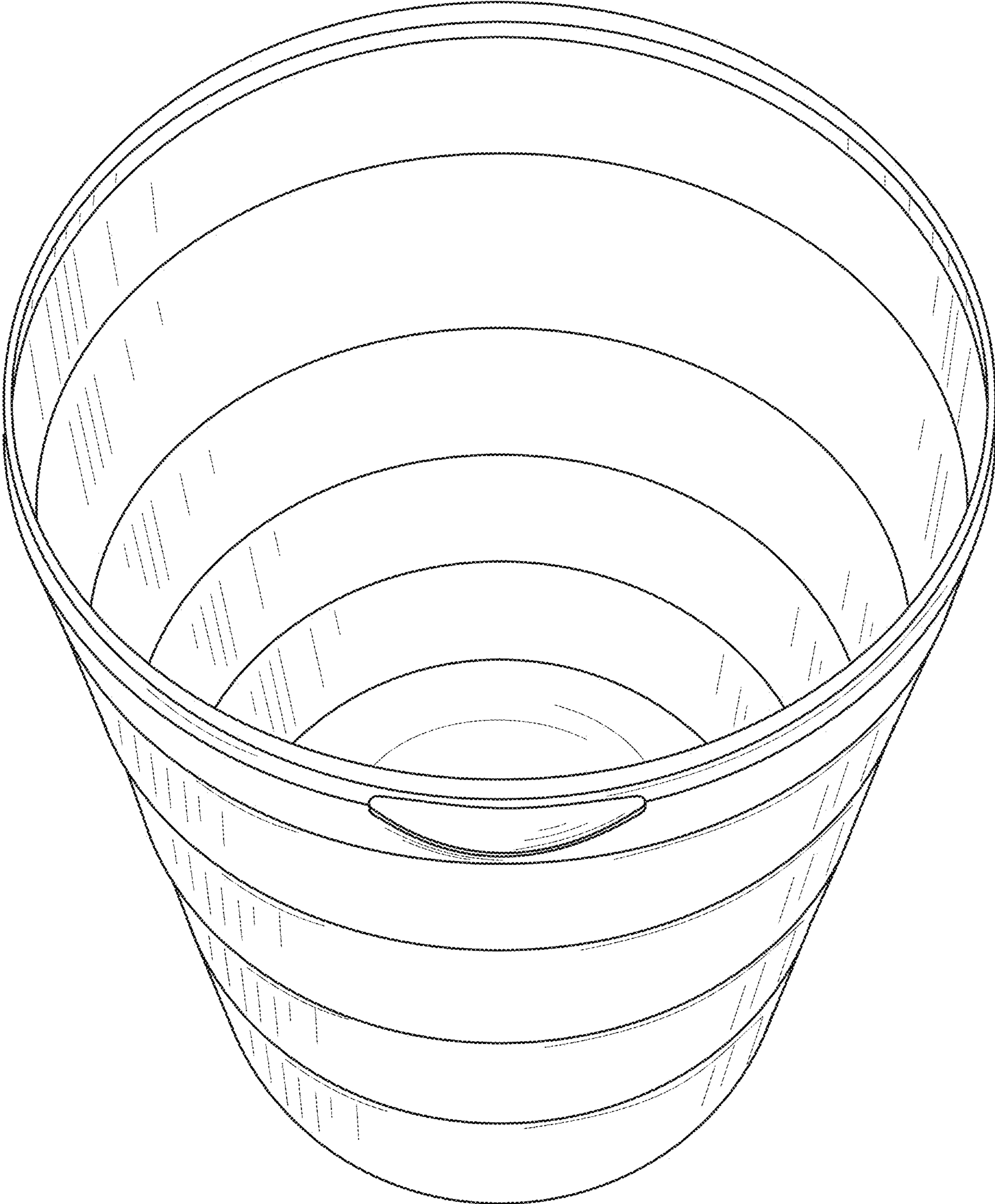


FIG. 9

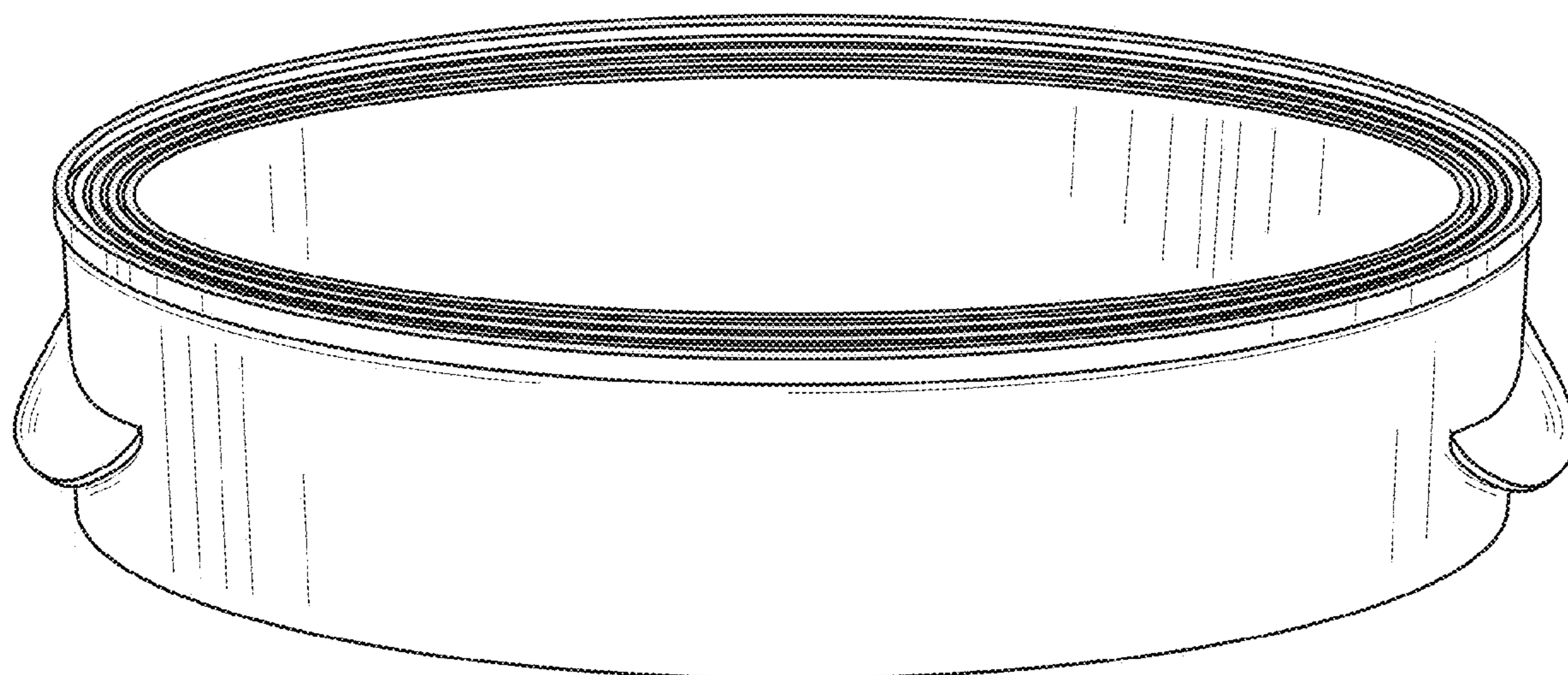


FIG. 10

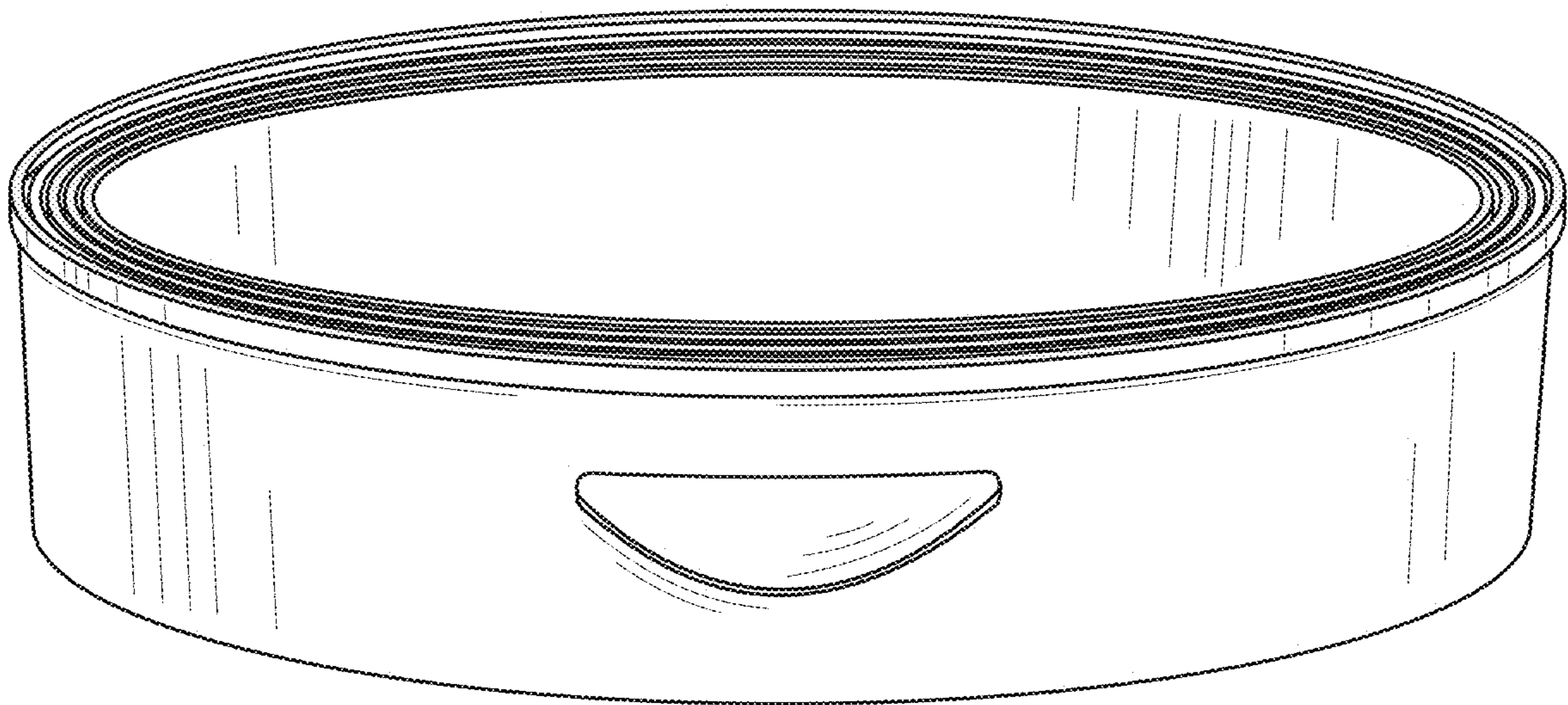


FIG. 11

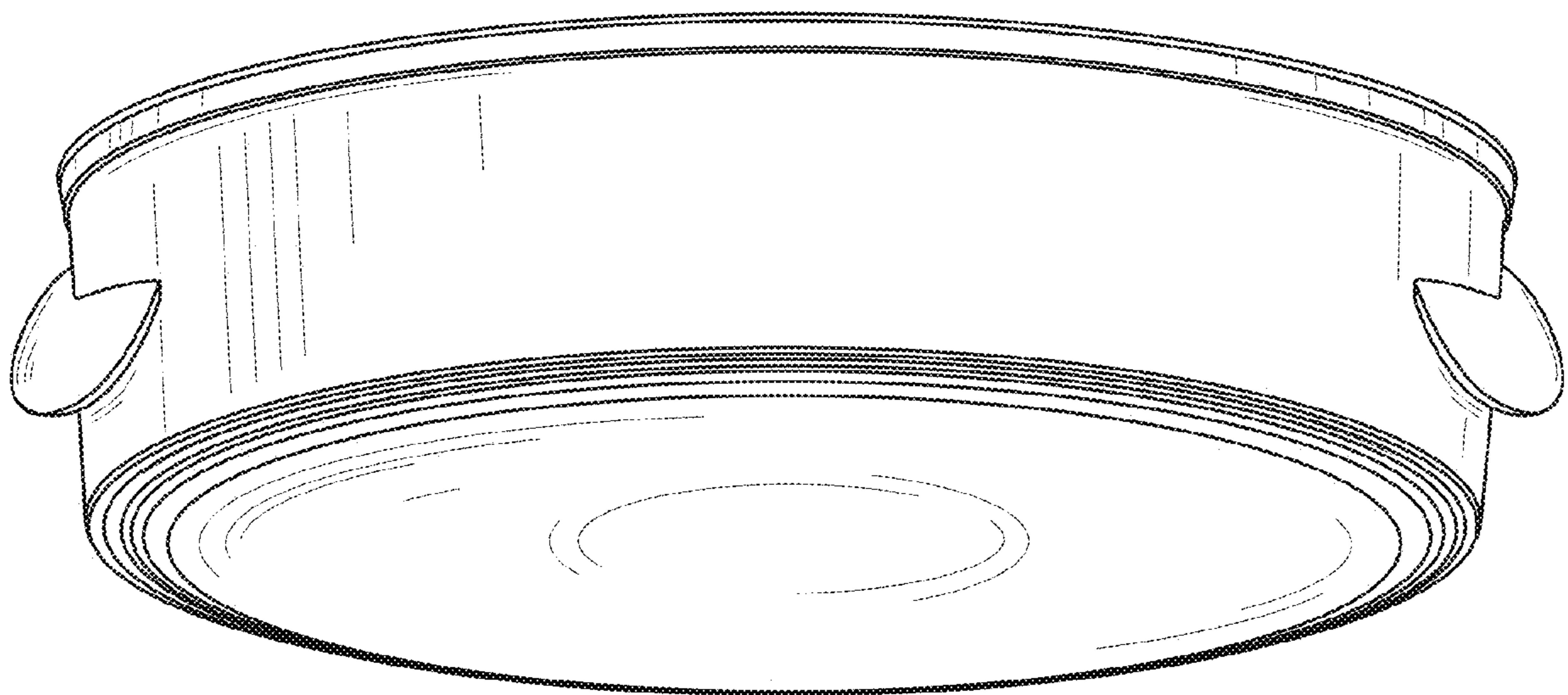


FIG. 12

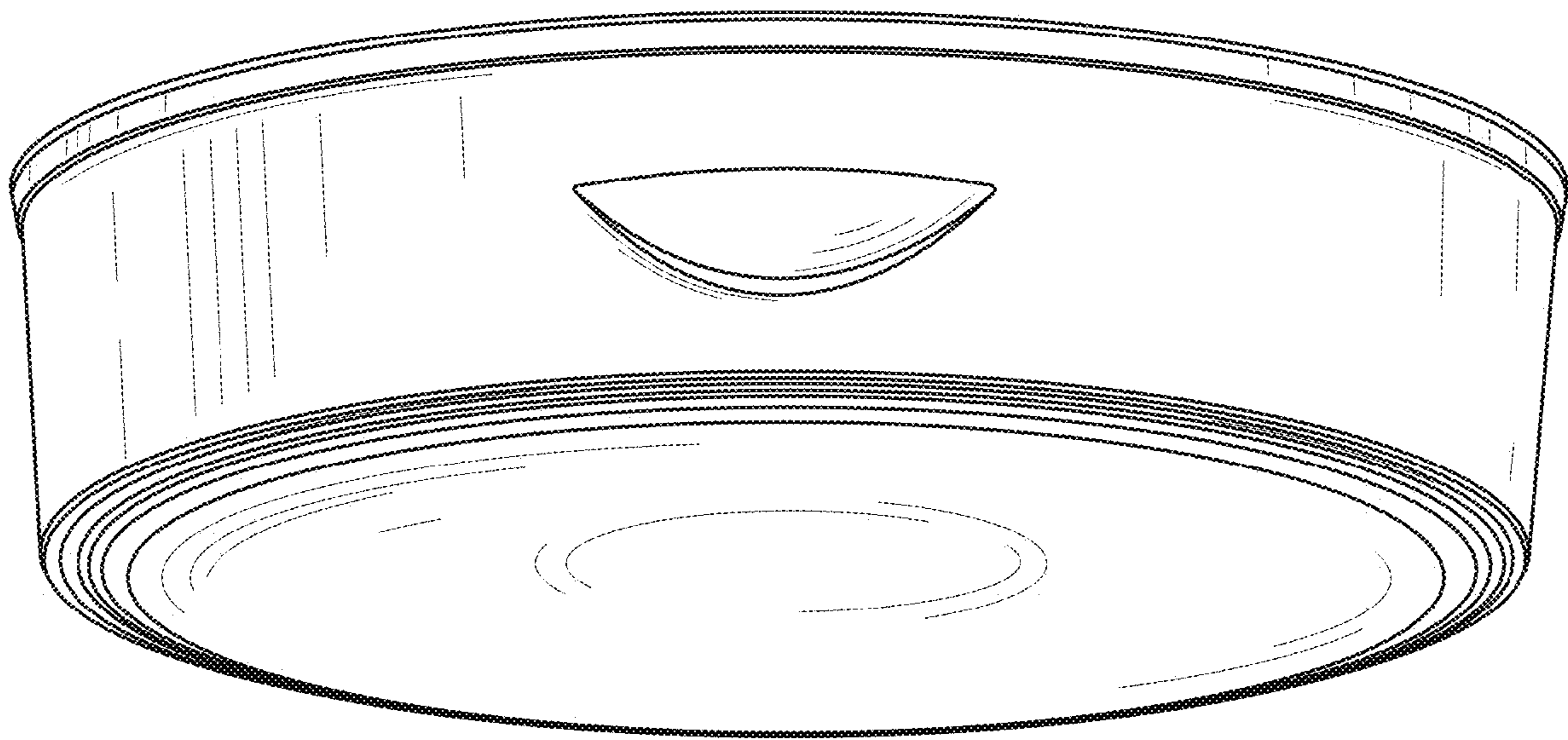


FIG. 13

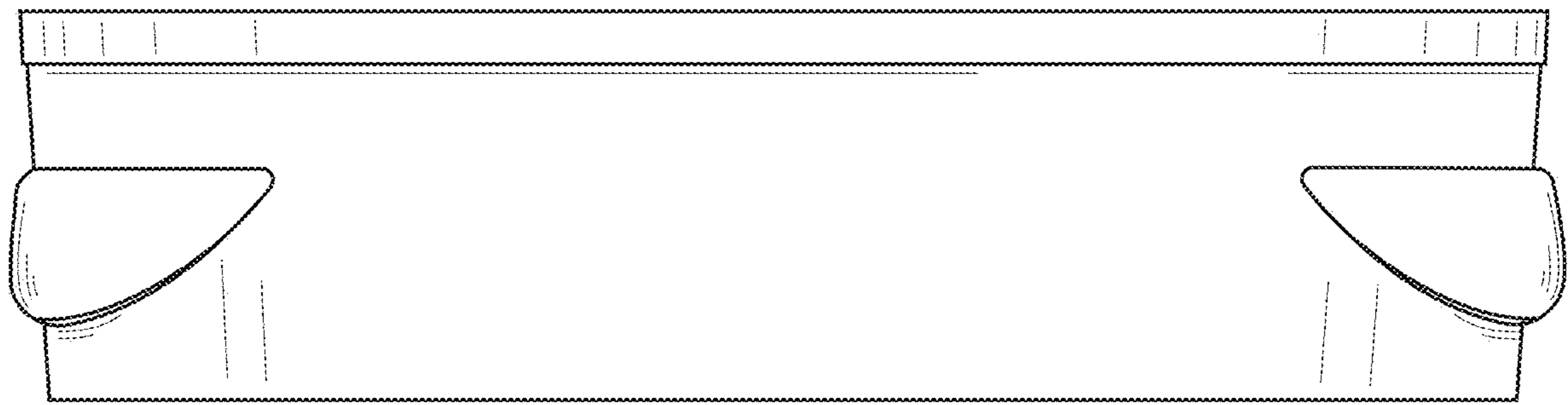


FIG. 14

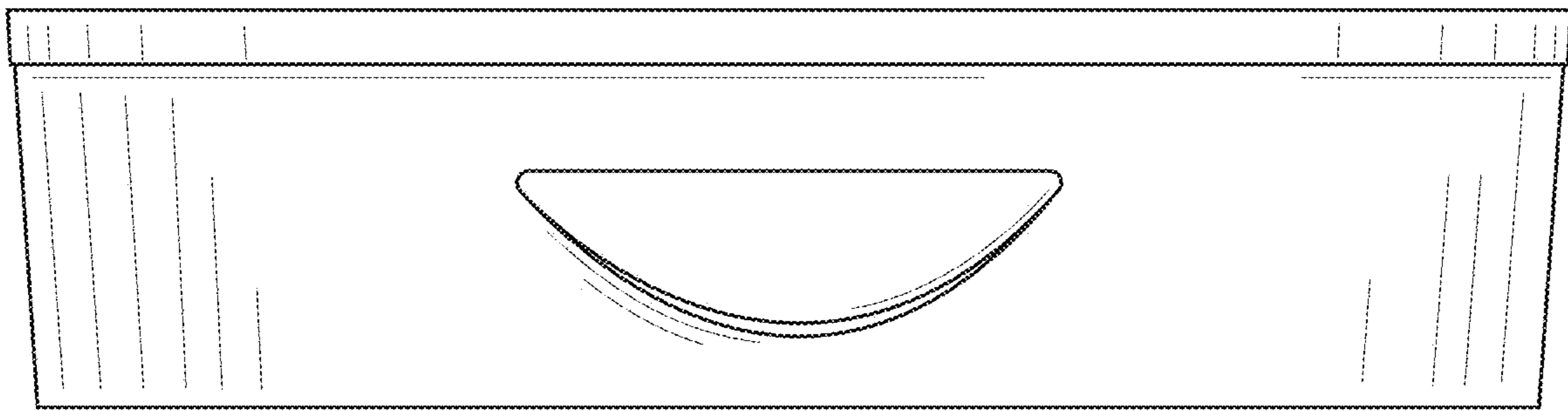


FIG. 15

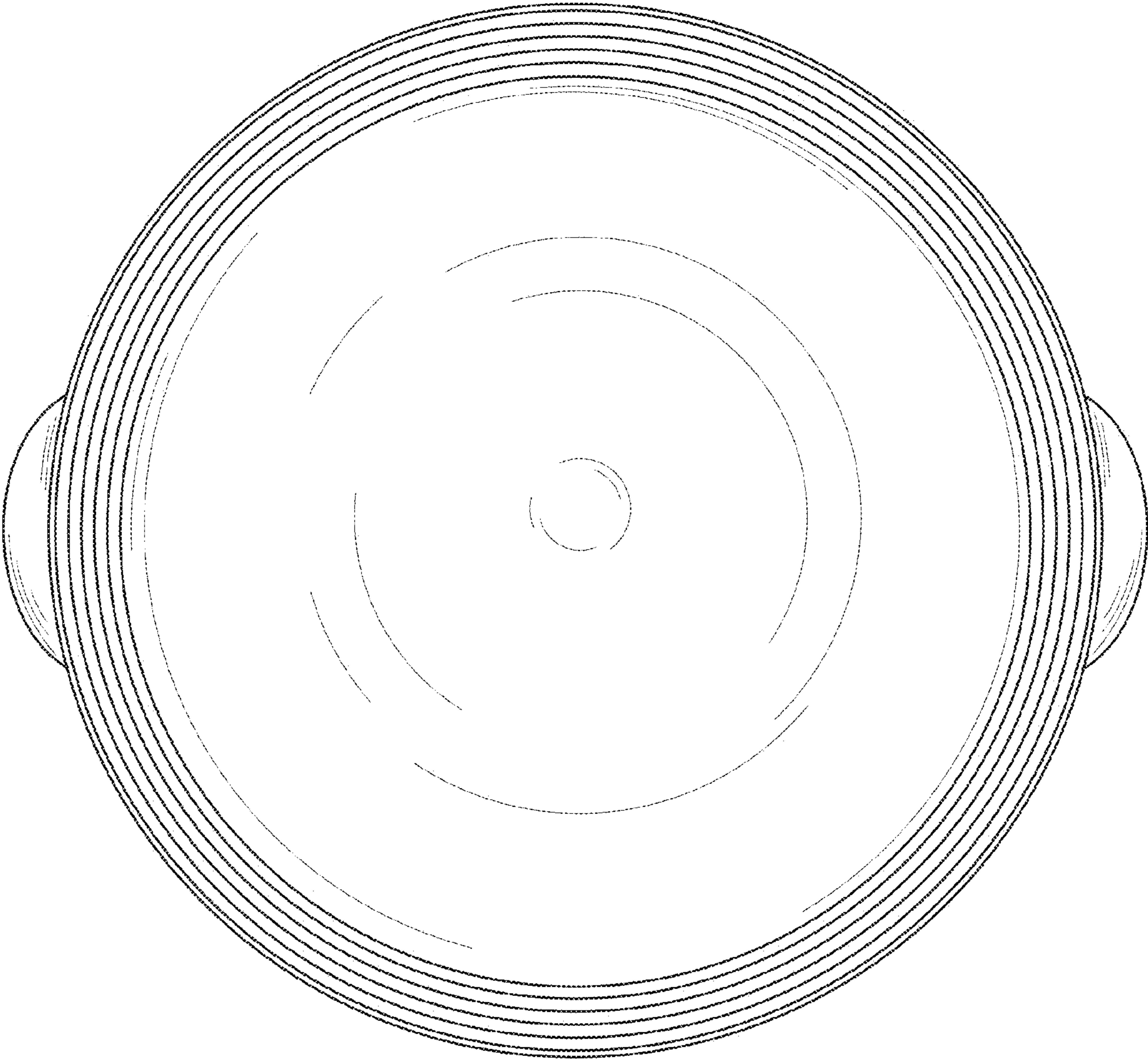


FIG. 16

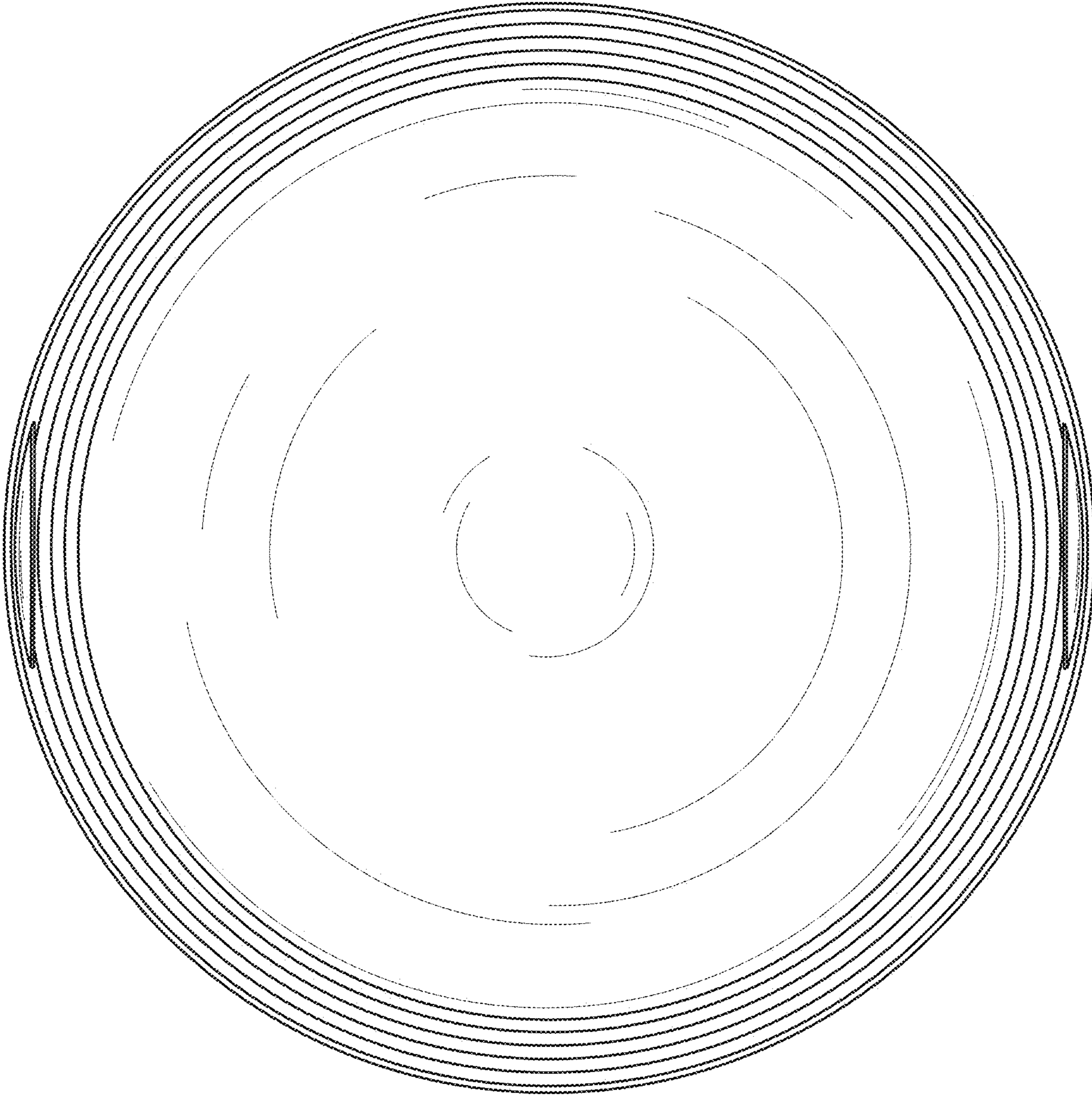


FIG. 17

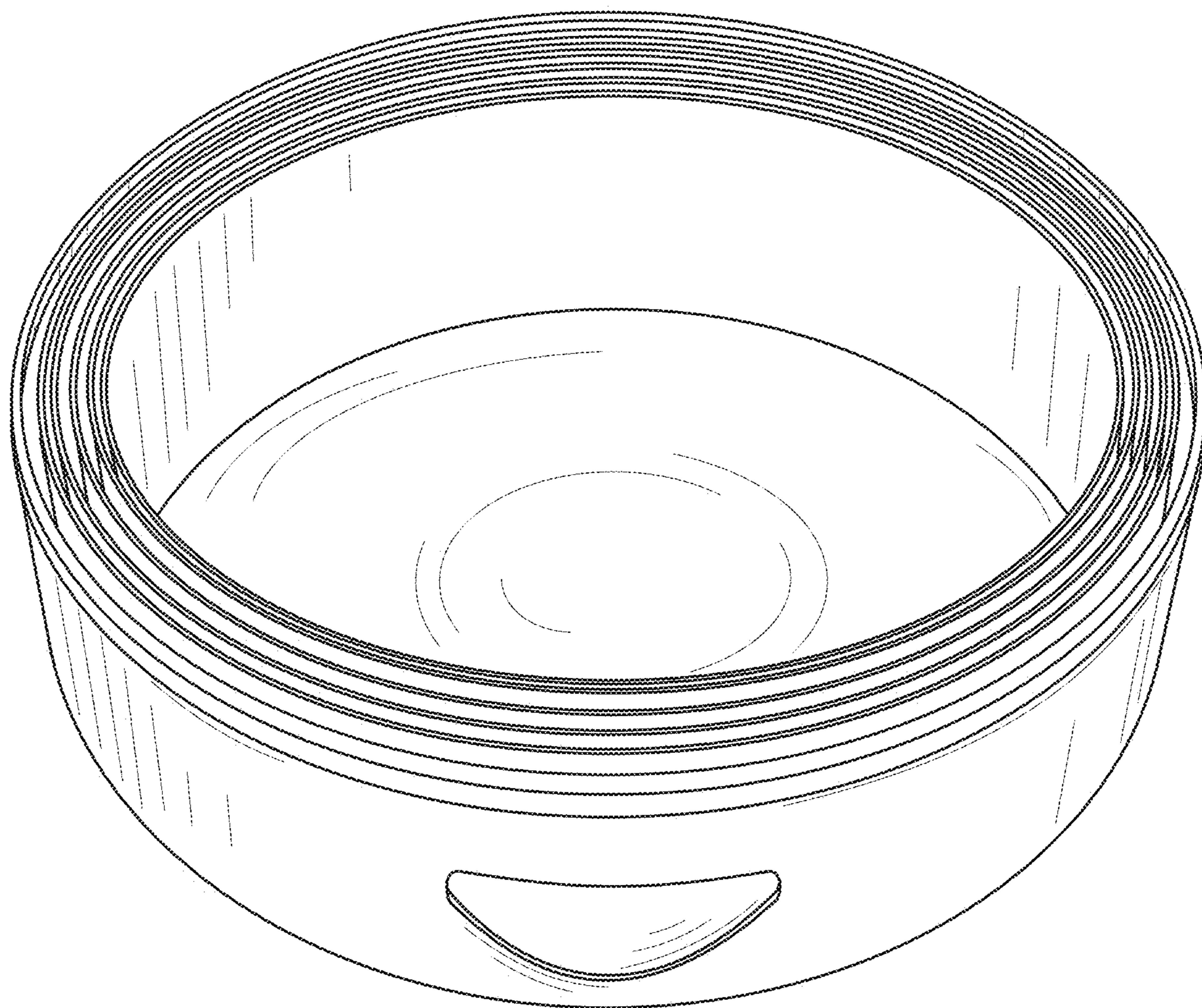


FIG. 18