



US00D919217S

(12) **United States Design Patent** (10) **Patent No.:** **US D919,217 S**
Wilson (45) **Date of Patent:** **** May 11, 2021**

(54) **SINK CRADLE**
(71) Applicant: **Spectrum Diversified Designs, LLC**,
Streetsboro, OH (US)
(72) Inventor: **Courtney Wilson**, Chardon, OH (US)
(73) Assignee: **SPECTRUM DIVERSIFIED
DESIGNS, LLC**, Streetsboro, OH (US)
(**) Term: **15 Years**
(21) Appl. No.: **29/701,114**
(22) Filed: **Aug. 8, 2019**
(51) **LOC (13) Cl.** **07-05**
(52) **U.S. Cl.**
USPC **D32/55**
(58) **Field of Classification Search**
USPC D32/585, 276, 3; D6/510, 525;
D30/133; 211/41.5, 41.4, 41.3, 41.8;
312/311, 333, 334.4; D7/354, 629
CPC .. A47L 15/505; A47L 15/503; A47L 15/0013;
A47L 19/02; A47L 19/04; A47J 47/20
See application file for complete search history.

D813,484 S * 3/2018 Goodman D32/55
D826,502 S * 8/2018 Goodman D32/55
D832,614 S * 11/2018 Jun D6/566
D844,989 S * 4/2019 Wilson D3/306
D877,439 S * 3/2020 Stevens D32/55

OTHER PUBLICATIONS

Spectrum Steel Grid Medium Over-the-Door Basket in Satin Nickel, Amazon website, <https://www.amazon.com/Spectrum-Diversified-Storage-Basket-Cabinet/dp/B00CLFKTU8>, dated Jul. 18, 2019, 1 page.

* cited by examiner

Primary Examiner — Austin Murphy
(74) *Attorney, Agent, or Firm* — Tucker Ellis LLP

(57) **CLAIM**

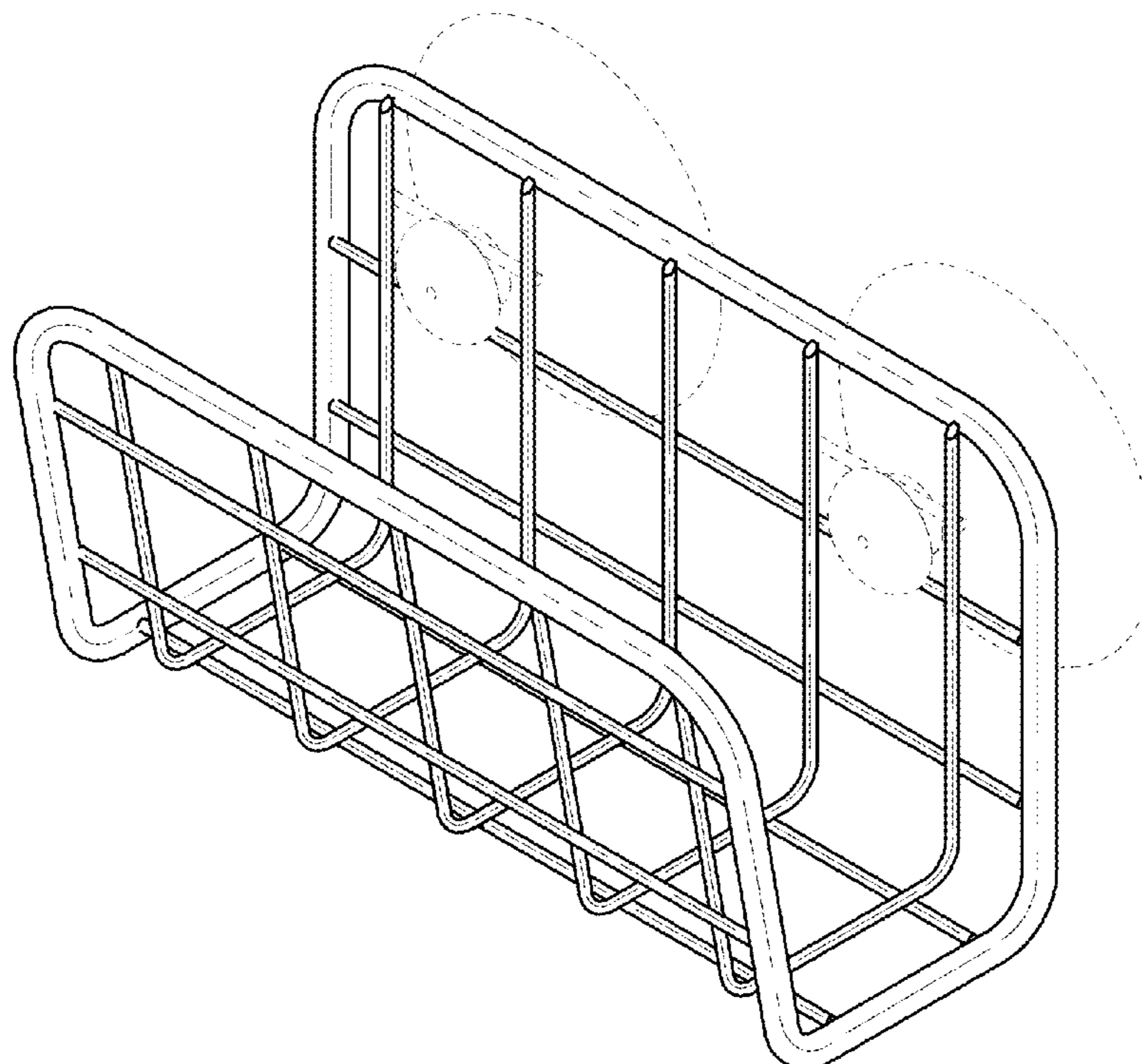
The ornamental design for a sink cradle, as shown and described.

DESCRIPTION

FIG. 1 is a perspective view of a sink cradle showing my new design.
FIG. 2 is a front view thereof.
FIG. 3 is a rear view thereof.
FIG. 4 is a left side view thereof.
FIG. 5 is a right side view thereof.
FIG. 6 is a top view thereof; and,
FIG. 7 is a bottom view thereof.
The broken lines show portions of the design that form no part of the claimed design.

1 Claim, 4 Drawing Sheets

(56) **References Cited**
U.S. PATENT DOCUMENTS
D563,708 S * 3/2008 Snell D6/566
D718,510 S * 11/2014 Goodman D32/55
D762,397 S * 8/2016 Goodman D6/566
D773,846 S * 12/2016 Chang D6/540
D808,603 S * 1/2018 Yuan D32/55
D808,604 S * 1/2018 Yuan D32/55
D811,677 S * 2/2018 Goodman D32/55



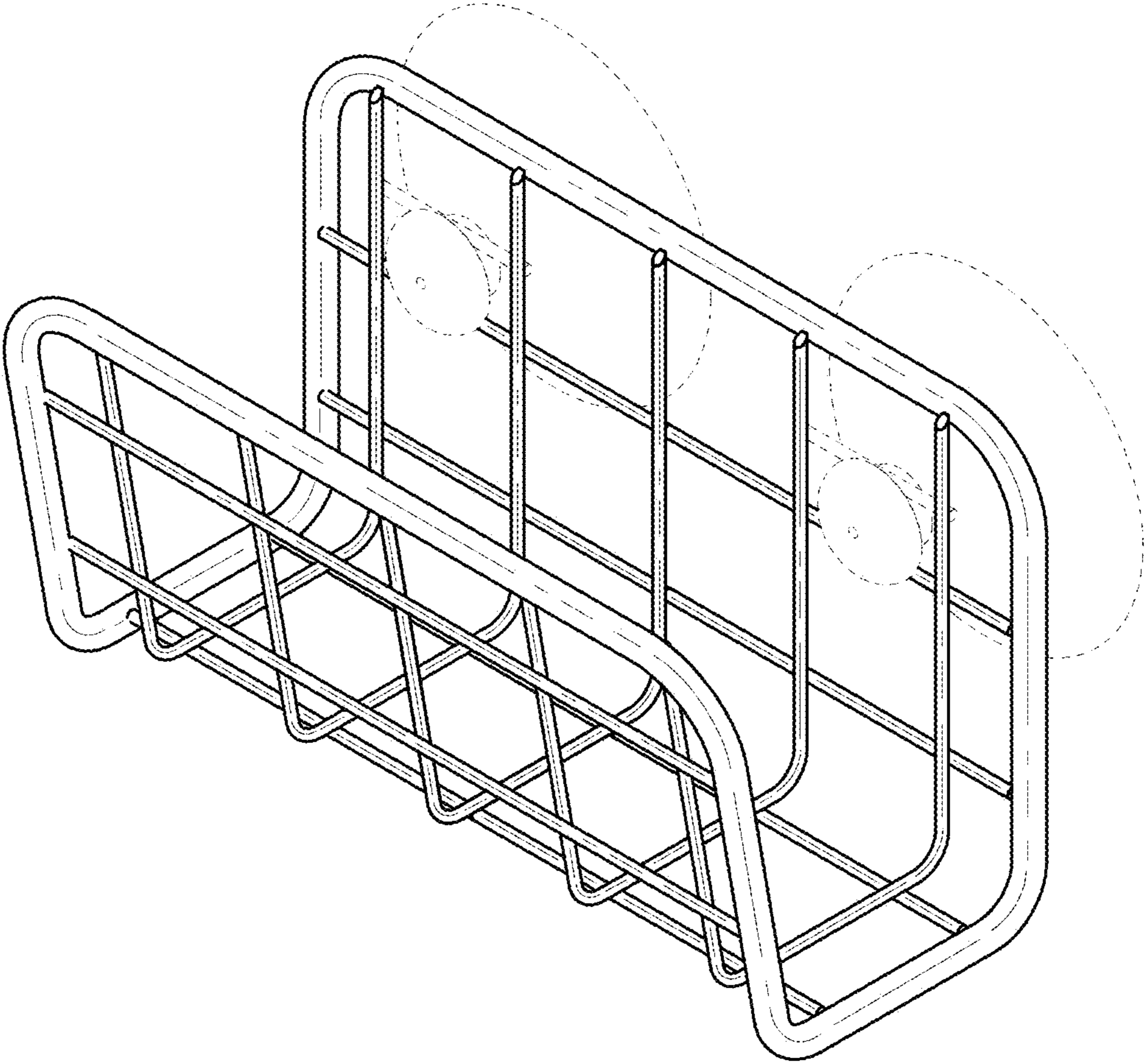


FIG. 1

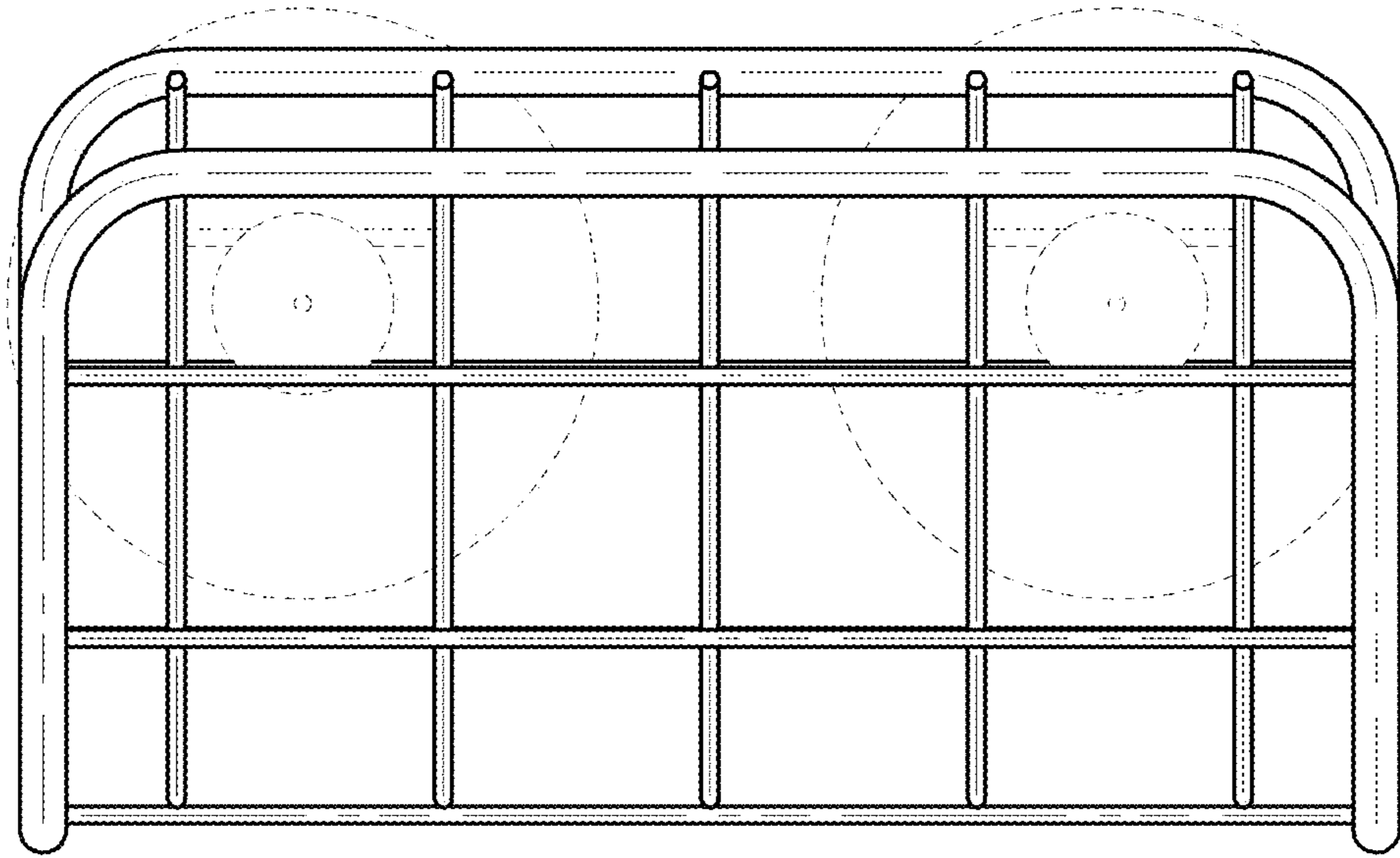


FIG. 2

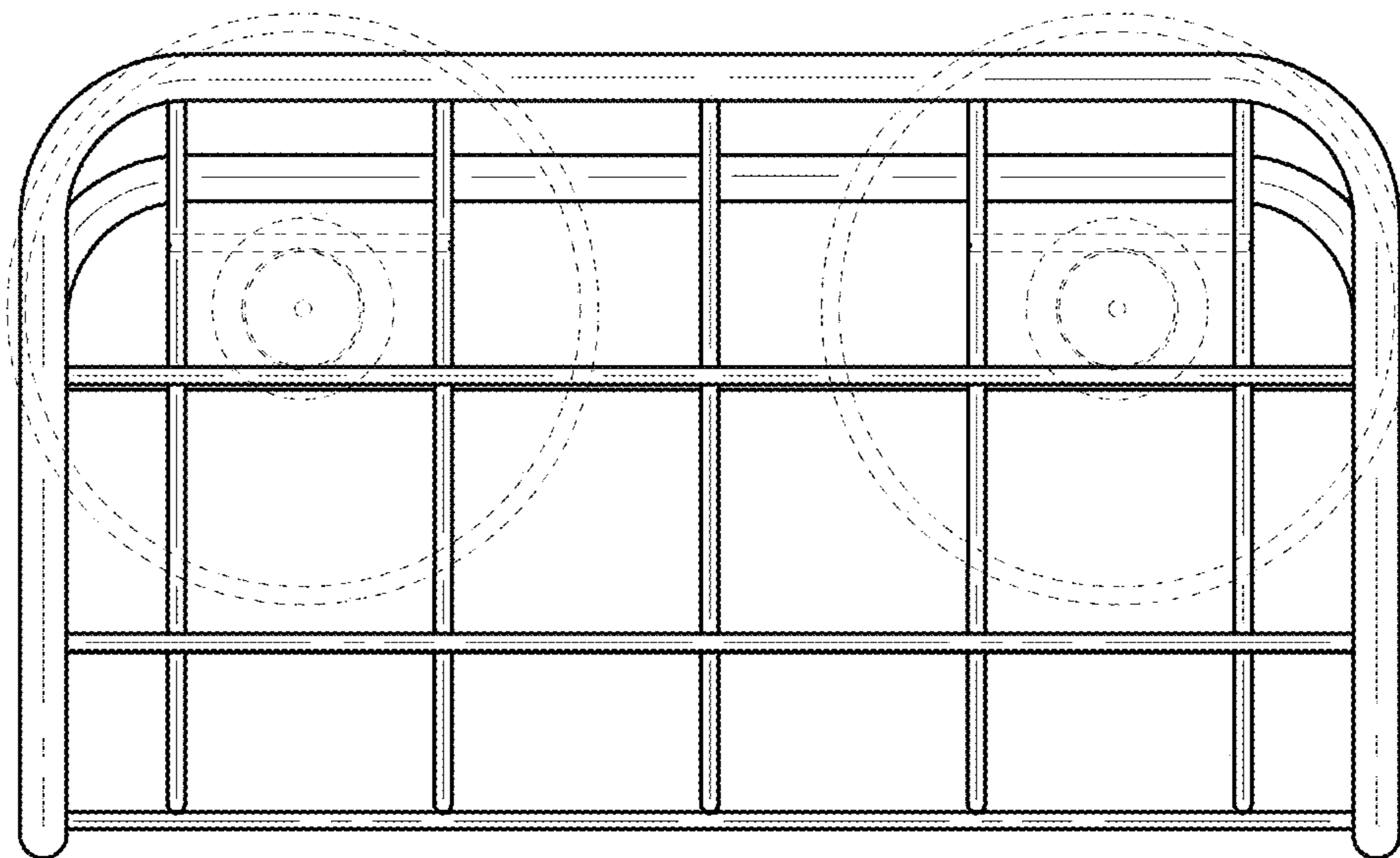


FIG. 3

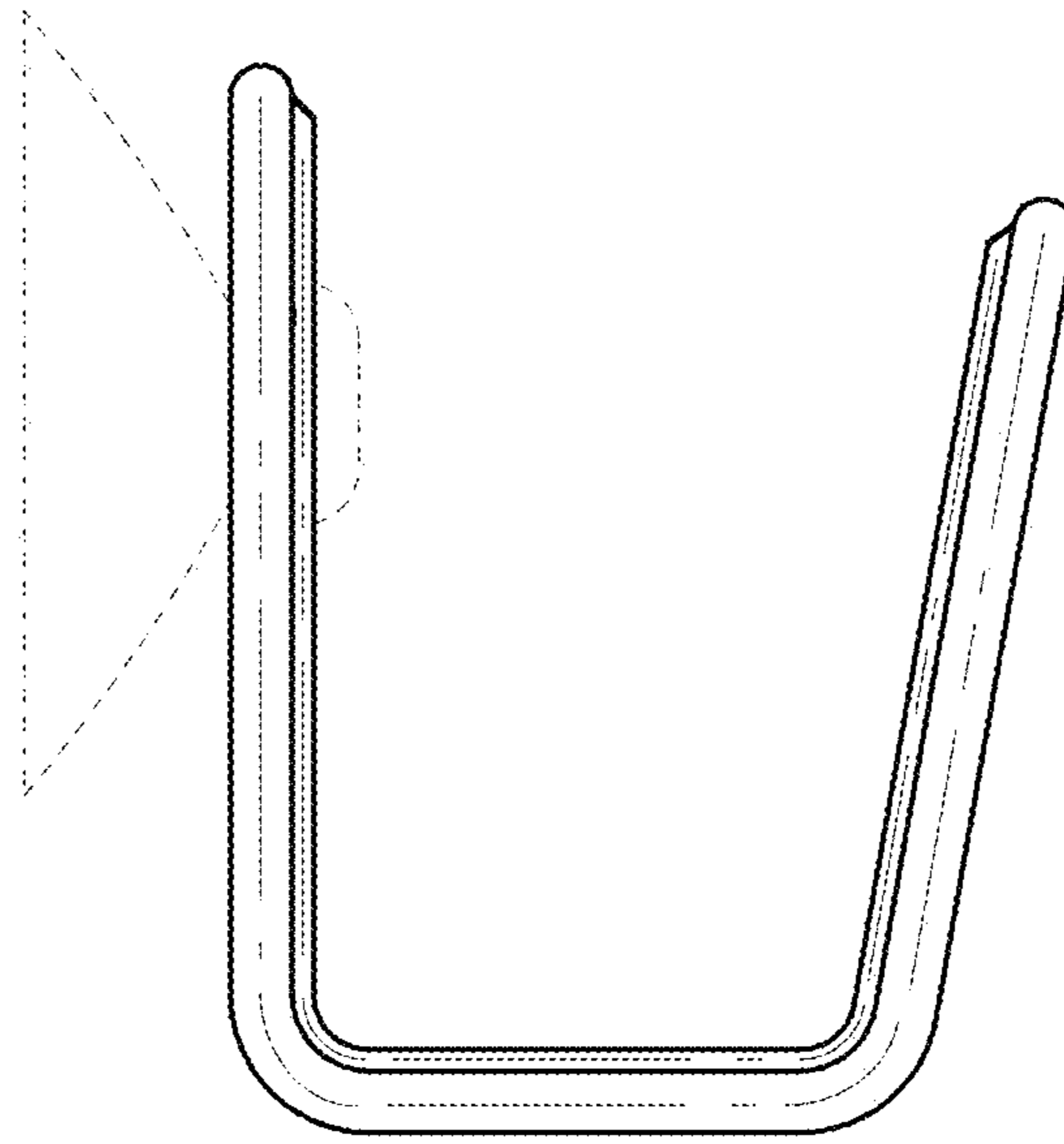


FIG. 4

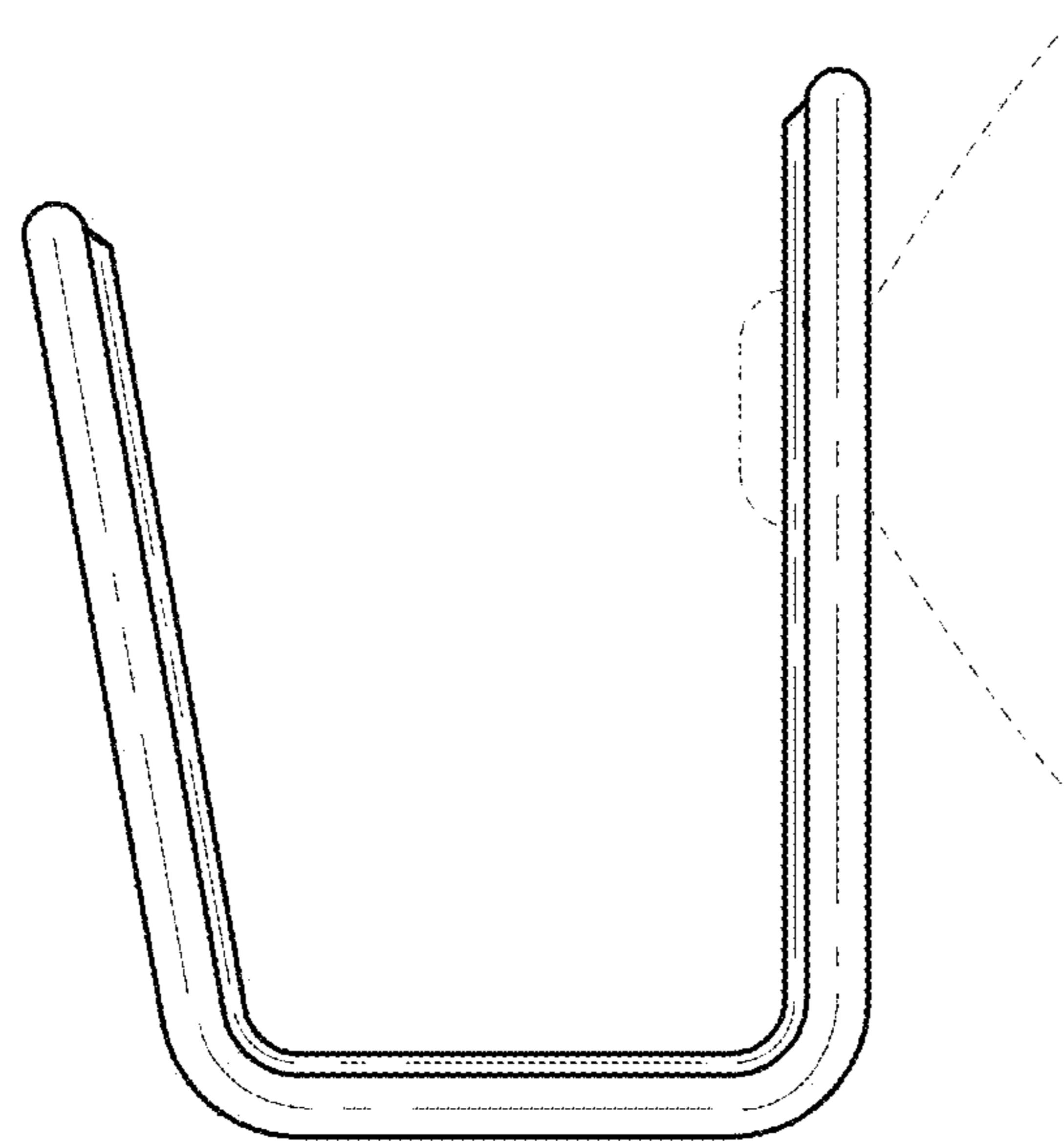


FIG. 5

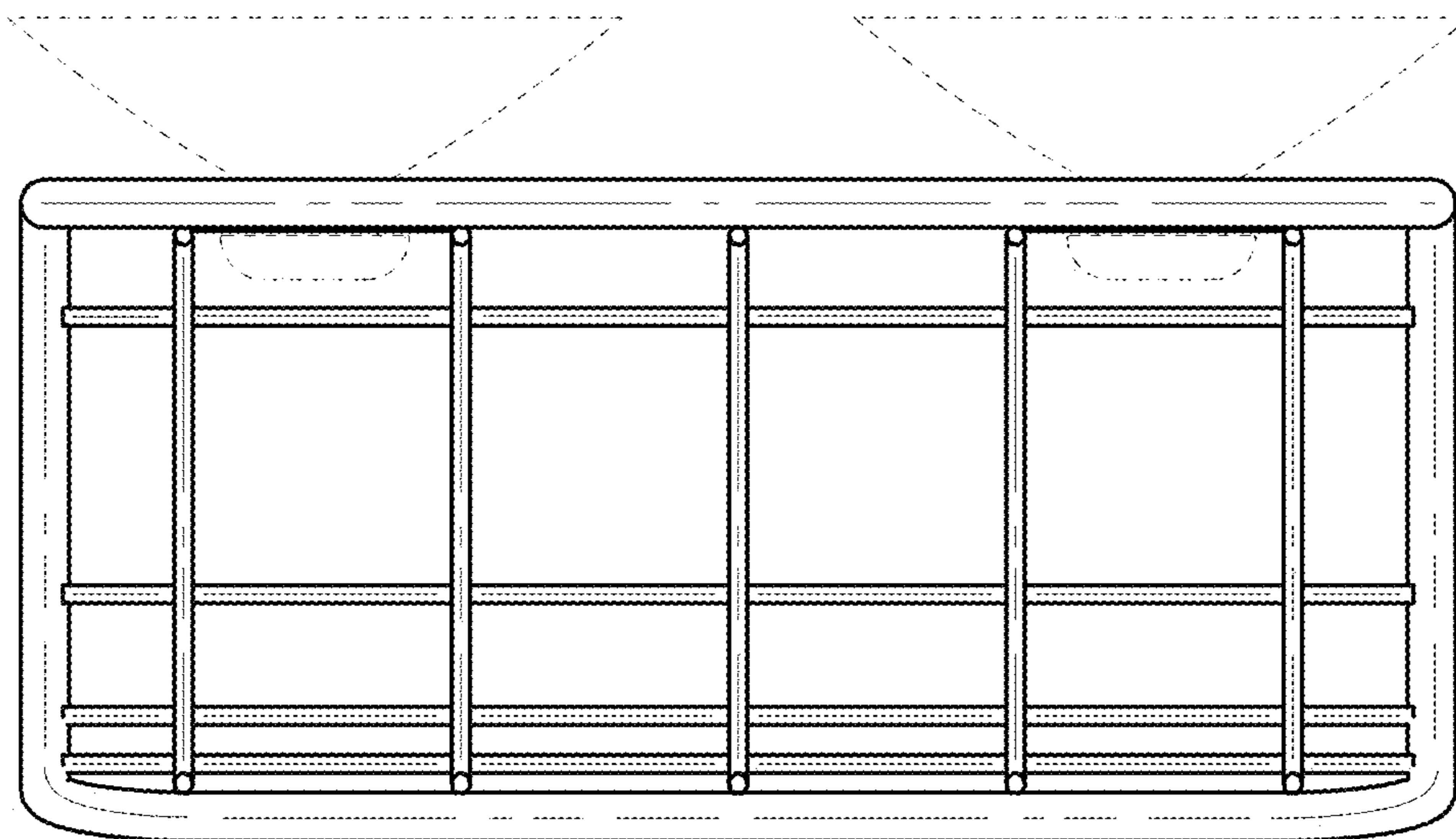


FIG. 6

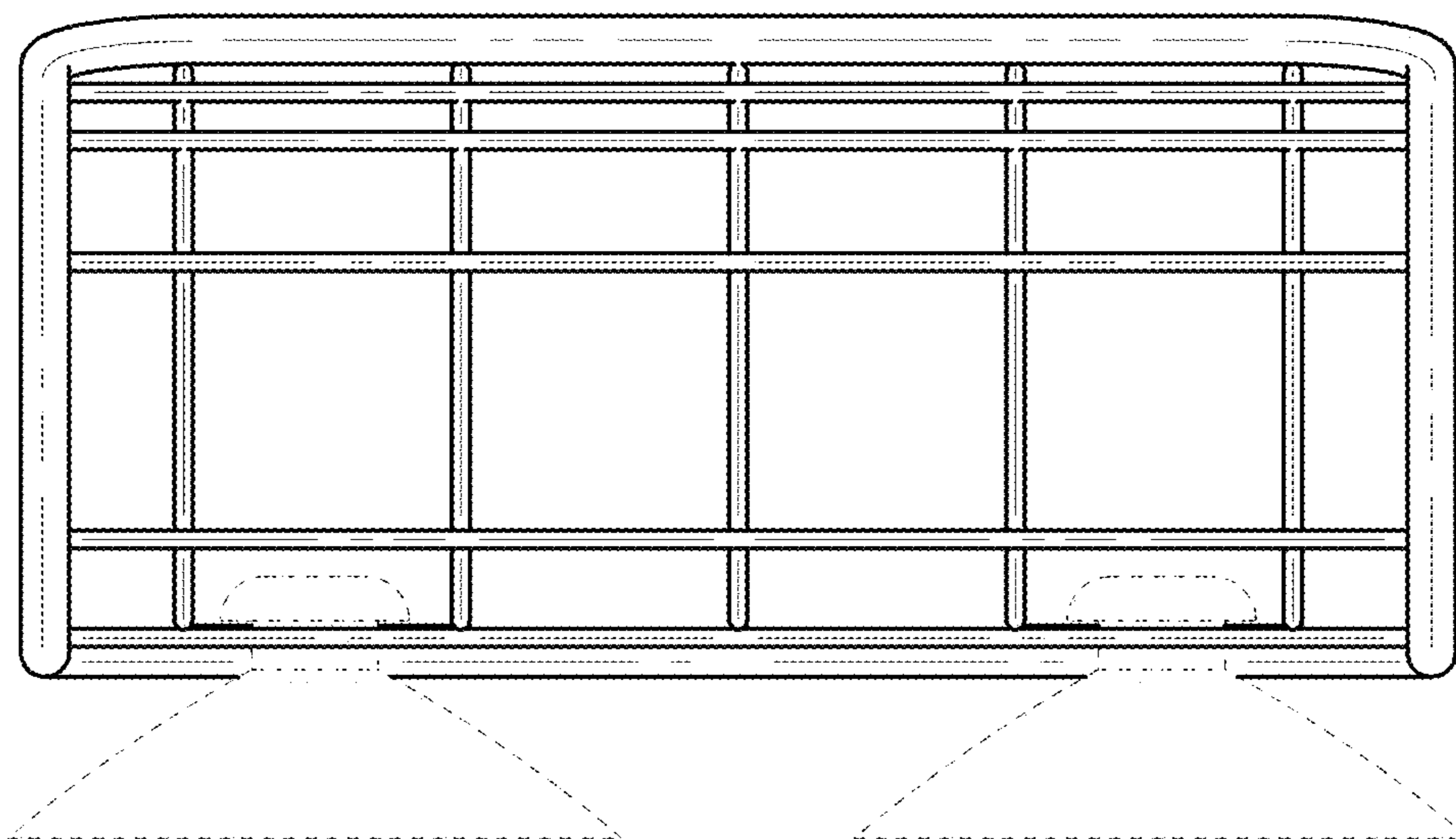


FIG. 7