



US00D919216S

(12) **United States Design Patent** (10) **Patent No.:** **US D919,216 S**  
**Lin et al.** (45) **Date of Patent:** **\*\* May 11, 2021**

(54) **SQUEEZE WATER MOP BUCKET**  
(71) Applicants: **Dandan Lin**, Ningbo (CN); **Hui Mao**, Ningbo (CN)  
(72) Inventors: **Dandan Lin**, Ningbo (CN); **Hui Mao**, Ningbo (CN)  
(\*\*) Term: **15 Years**  
(21) Appl. No.: **29/751,482**  
(22) Filed: **Sep. 22, 2020**  
(51) **LOC (13) Cl.** ..... **07-05**  
(52) **U.S. Cl.**  
USPC ..... **D32/53**  
(58) **Field of Classification Search**  
USPC .... D32/53, 53.1, 54; D3/304, 305, 315–316  
CPC ..... A47L 13/59; A47L 13/58; A47L 13/12;  
A47J 47/18; B44D 3/128; B44D 3/12;  
B44D 3/126; B65D 35/22; B65D 25/14  
See application file for complete search history.

D641,116 S \* 7/2011 Jones ..... D32/53  
D643,982 S \* 8/2011 Franklin ..... D32/53  
D645,628 S \* 9/2011 Tseng ..... D32/53  
D693,080 S \* 11/2013 Shao ..... D32/53  
D698,512 S 1/2014 Howard  
D723,757 S \* 3/2015 Lentine ..... D32/53  
D723,758 S \* 3/2015 Lentine ..... D32/53  
D727,580 S \* 4/2015 Lentine ..... D32/53  
D728,882 S \* 5/2015 Tsai ..... A47L 13/59  
D32/53  
D741,561 S \* 10/2015 Zeng ..... D32/53  
D748,880 S \* 2/2016 Lentine ..... D32/53

(Continued)

Primary Examiner — Michelle E. Wilson

(57) **CLAIM**

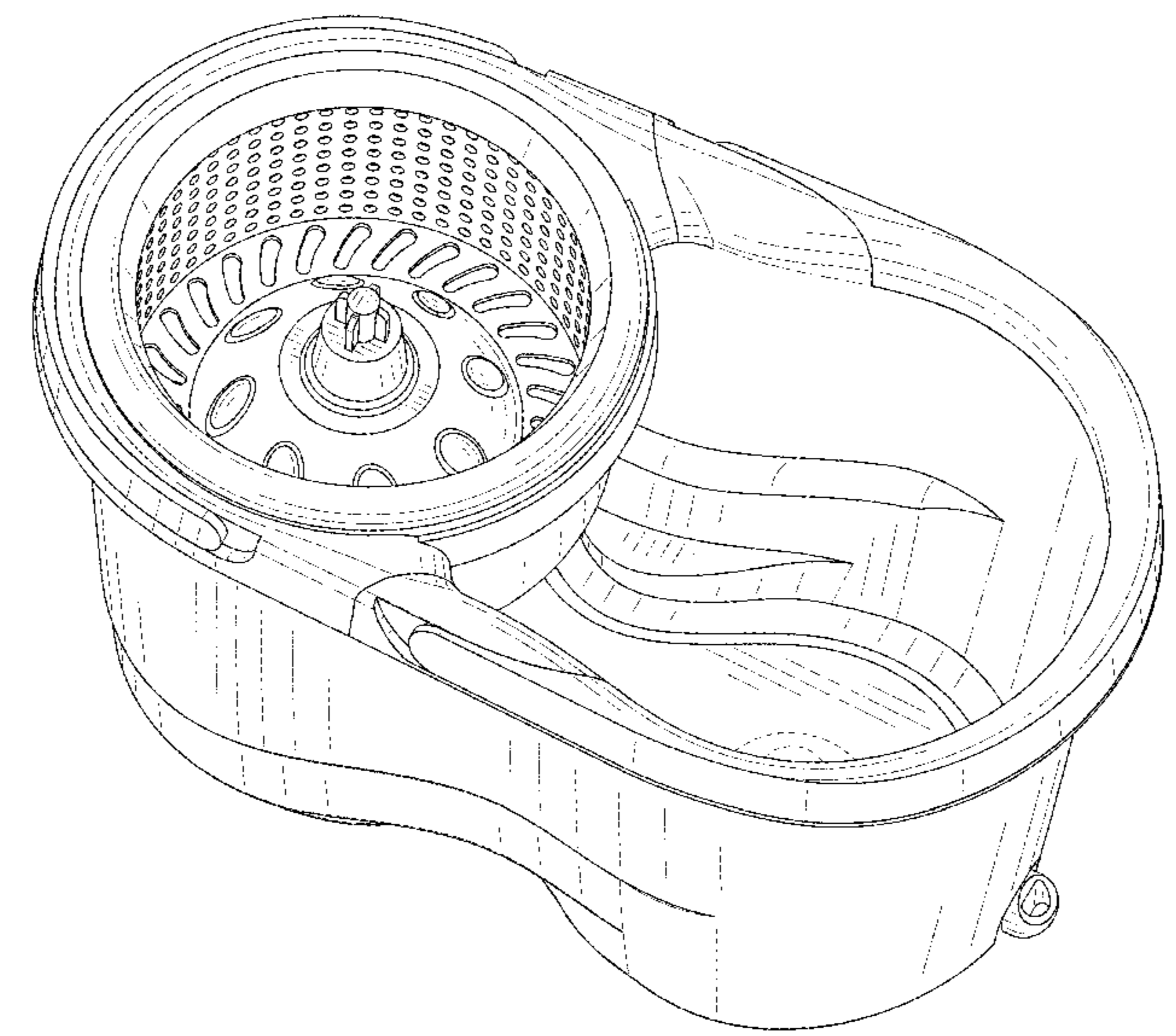
The ornamental design for a squeeze water mop bucket, as shown and described.

**DESCRIPTION**

FIG. 1 is a front and top perspective view of a squeeze water mop bucket, showing our new design; FIG. 2 is a rear and bottom perspective view thereof; FIG. 3 is a front elevational view thereof; FIG. 4 is a rear elevational view thereof; FIG. 5 is a left side elevational view thereof; FIG. 6 is a right side elevational view thereof; FIG. 7 is a top plan view thereof; FIG. 8 is a bottom plan view thereof; FIG. 9 is a perspective view thereof, showing a mop connected with the squeeze water mop bucket; and, FIG. 10 is an enlarged view of a portion labeled, 'FIG. 10' in FIG. 9. The dash dot dash lines in FIG. 9 and 10 are for the purpose of depicting the cut line of the enlarged view and form no part of the claim. The dashed broken lines in the figures illustrate portions of the article that form no part of the claimed design.

**1 Claim, 10 Drawing Sheets**

(56) **References Cited**  
U.S. PATENT DOCUMENTS  
1,722,130 A \* 7/1929 Finstad ..... A47L 13/58  
15/263  
D255,976 S \* 7/1980 Maza ..... D32/54  
D362,941 S \* 10/1995 Delmerico ..... D32/53  
5,983,441 A \* 11/1999 Williams ..... A47L 13/58  
15/260  
6,065,175 A \* 5/2000 Tejerina ..... A47L 13/12  
15/116.1  
6,389,638 B1 \* 5/2002 Dickinson ..... A47L 13/59  
15/261  
6,671,923 B2 \* 1/2004 Gromnicki ..... A47L 13/59  
15/261  
D499,223 S \* 11/2004 Libman ..... D32/53  
D518,262 S \* 3/2006 Jurgens ..... D32/53  
D525,404 S \* 7/2006 Petner ..... D32/53  
7,318,247 B2 \* 1/2008 Libman ..... A47J 47/18  
15/260  
D578,263 S \* 10/2008 Pho ..... D32/53



(56)

**References Cited**

U.S. PATENT DOCUMENTS

D756,582 S *	5/2016	Libman .....	D32/53
D789,638 S *	6/2017	Rueckheim .....	D32/53
D804,125 S *	11/2017	Rueckheim .....	D32/53
D818,235 S *	5/2018	Luedke .....	D32/53

\* cited by examiner

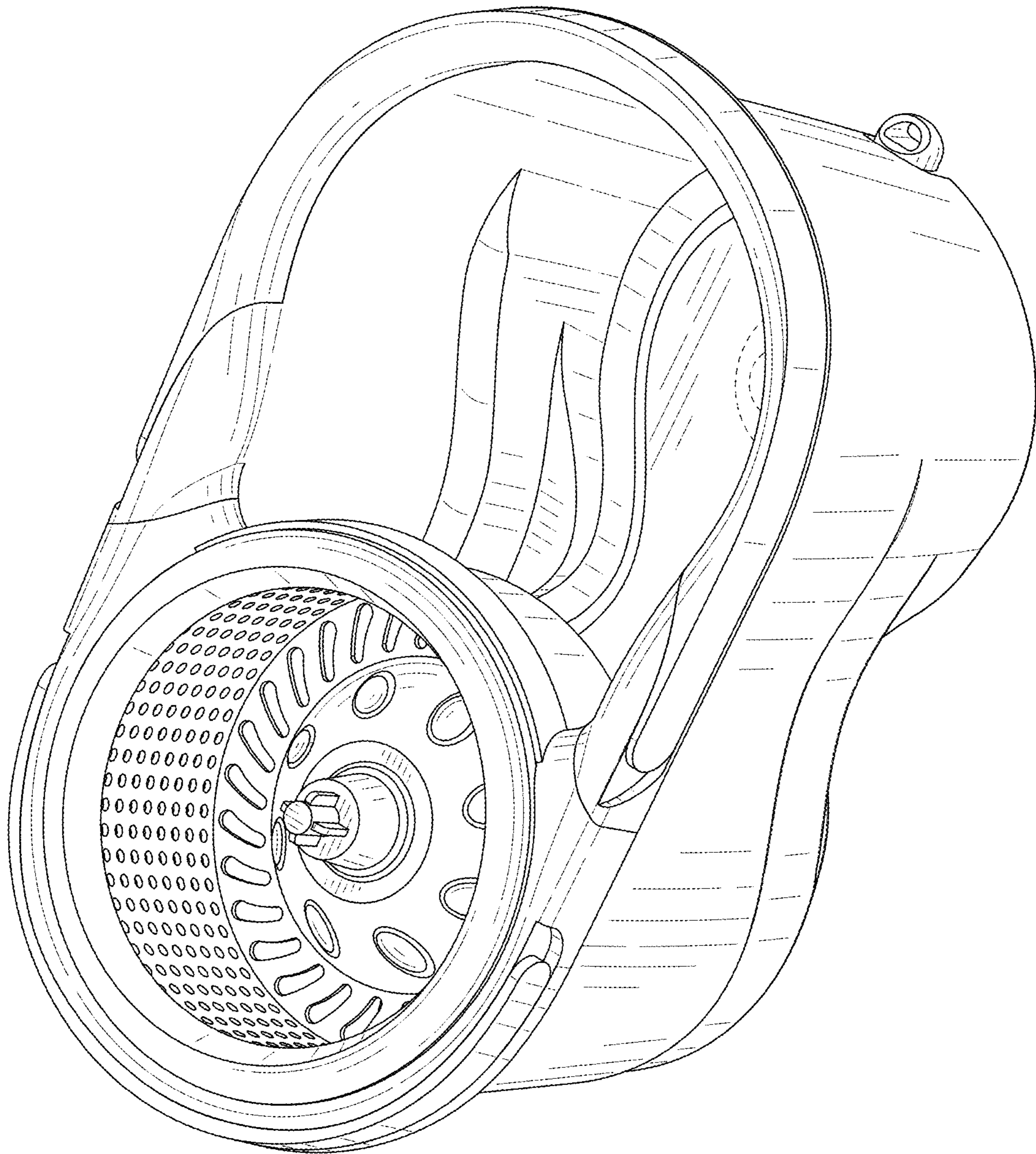


FIG. 1





FIG. 2

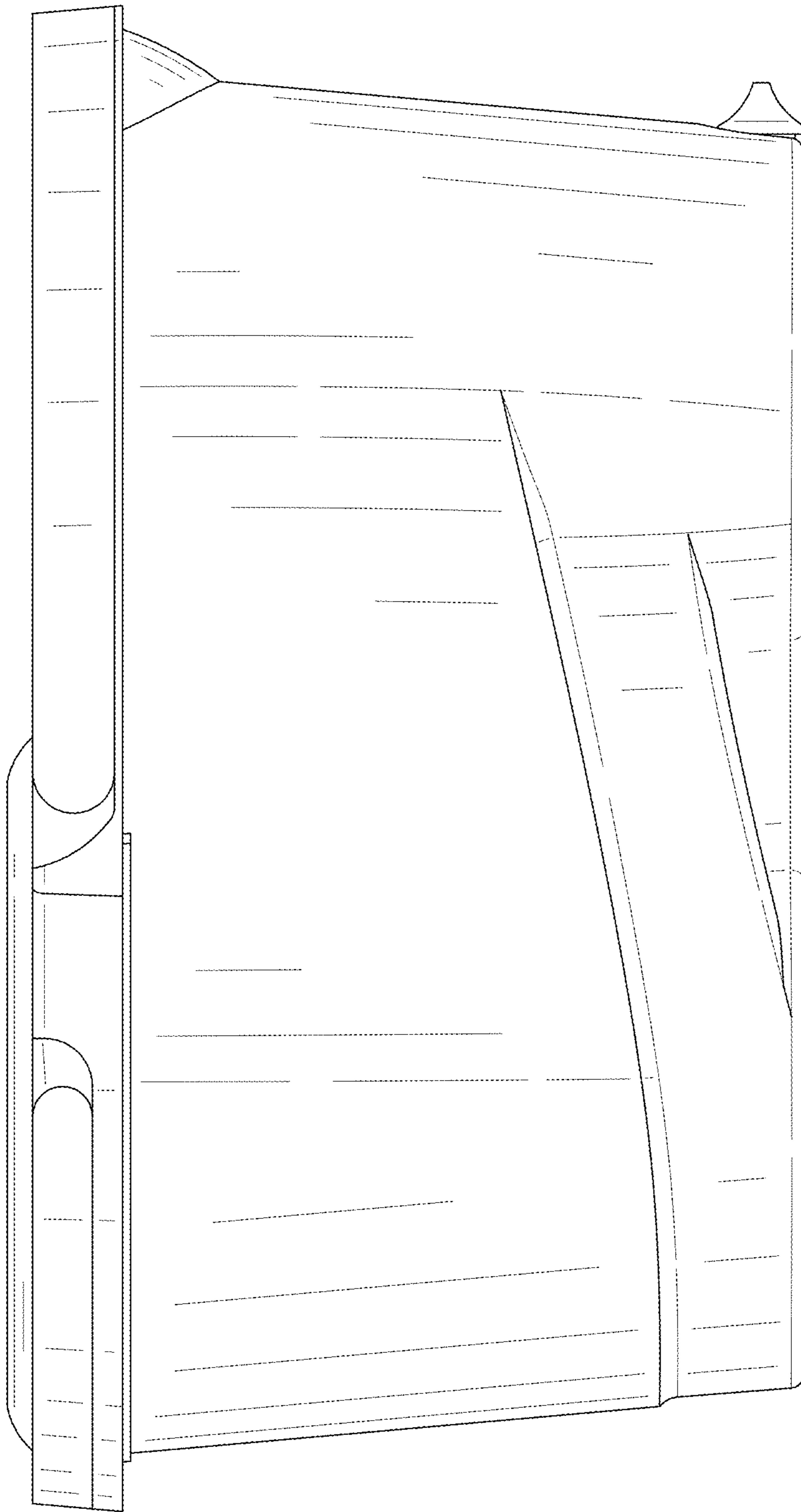


FIG. 3

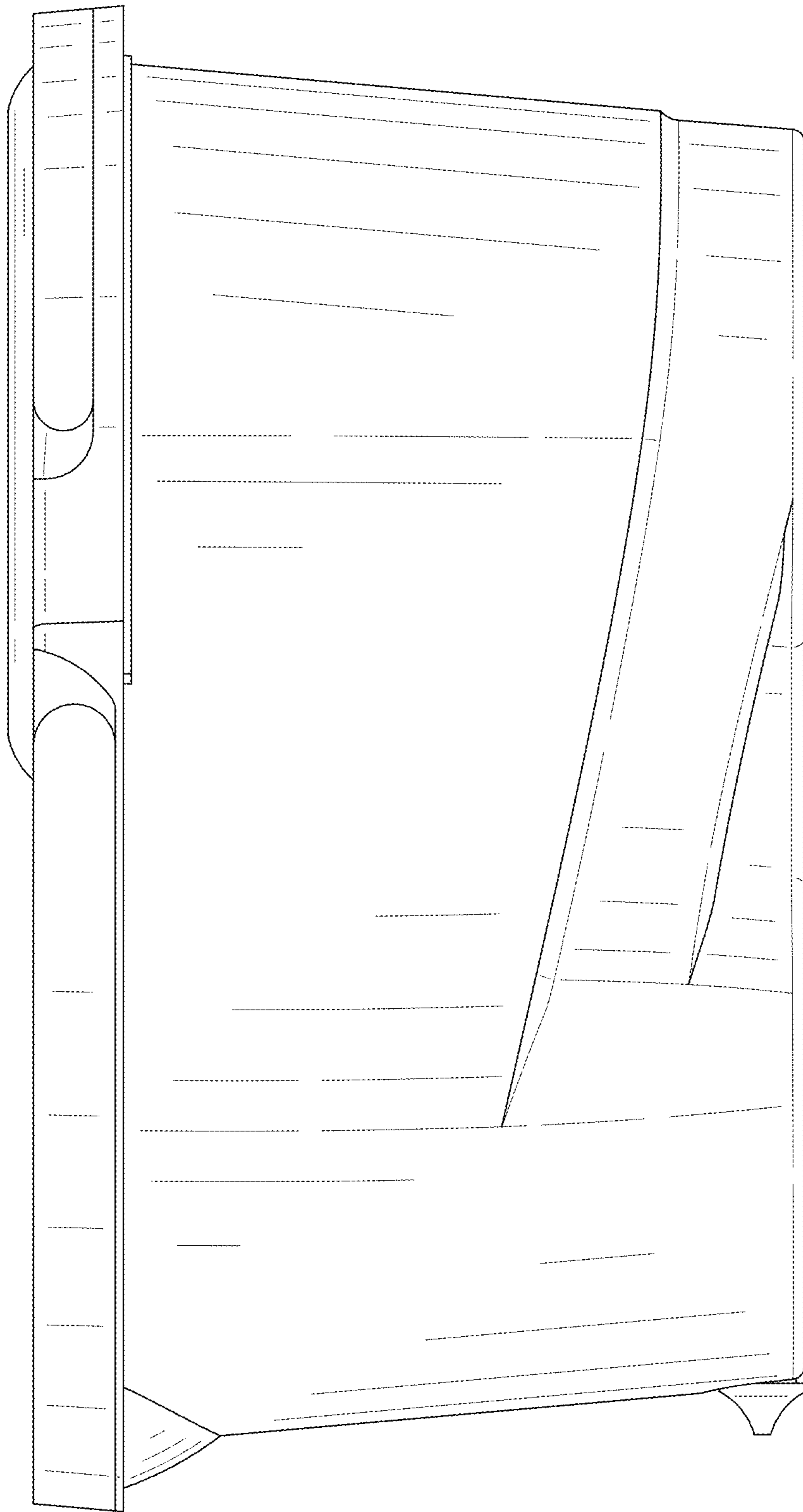


FIG. 4

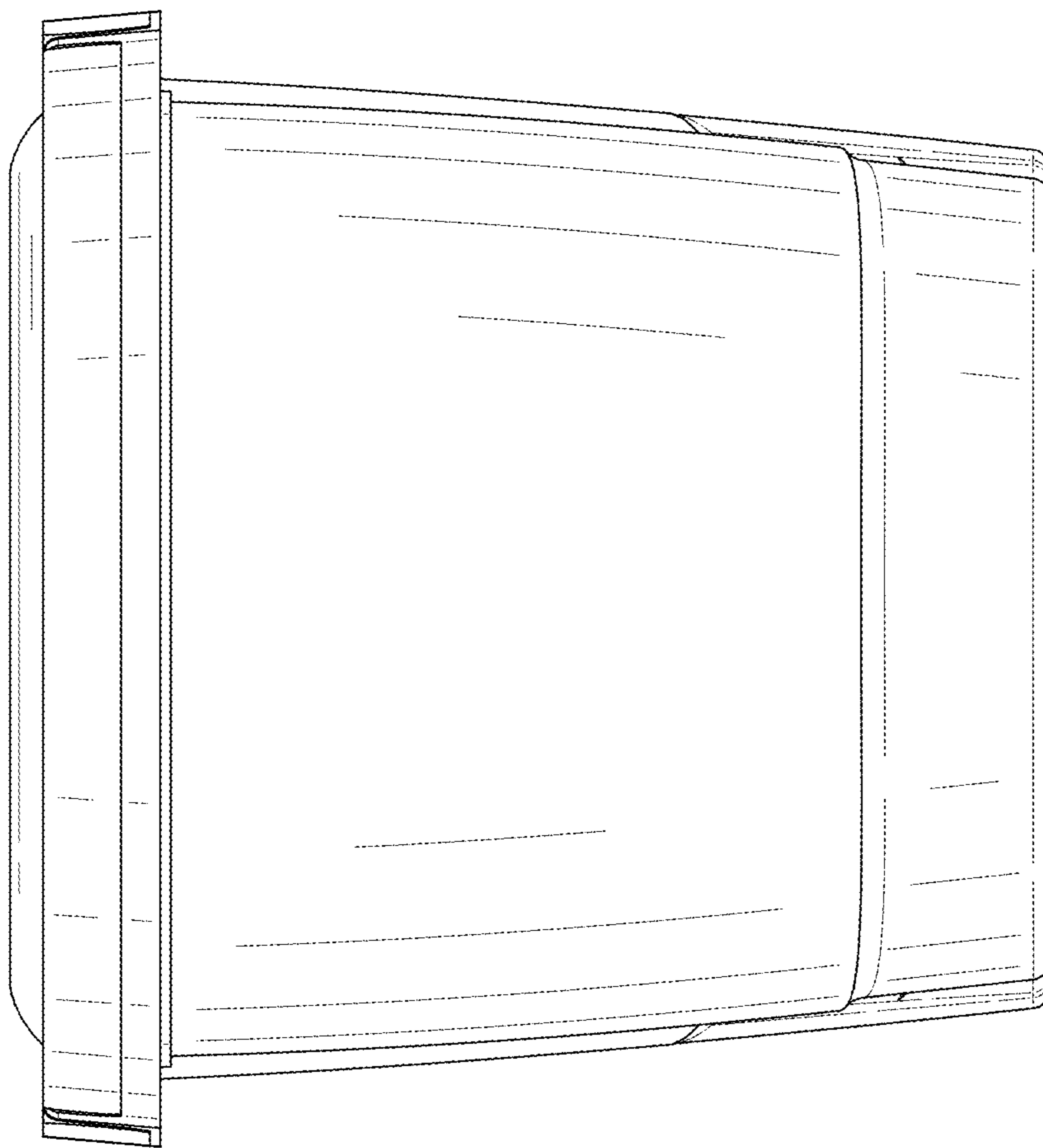


FIG. 5

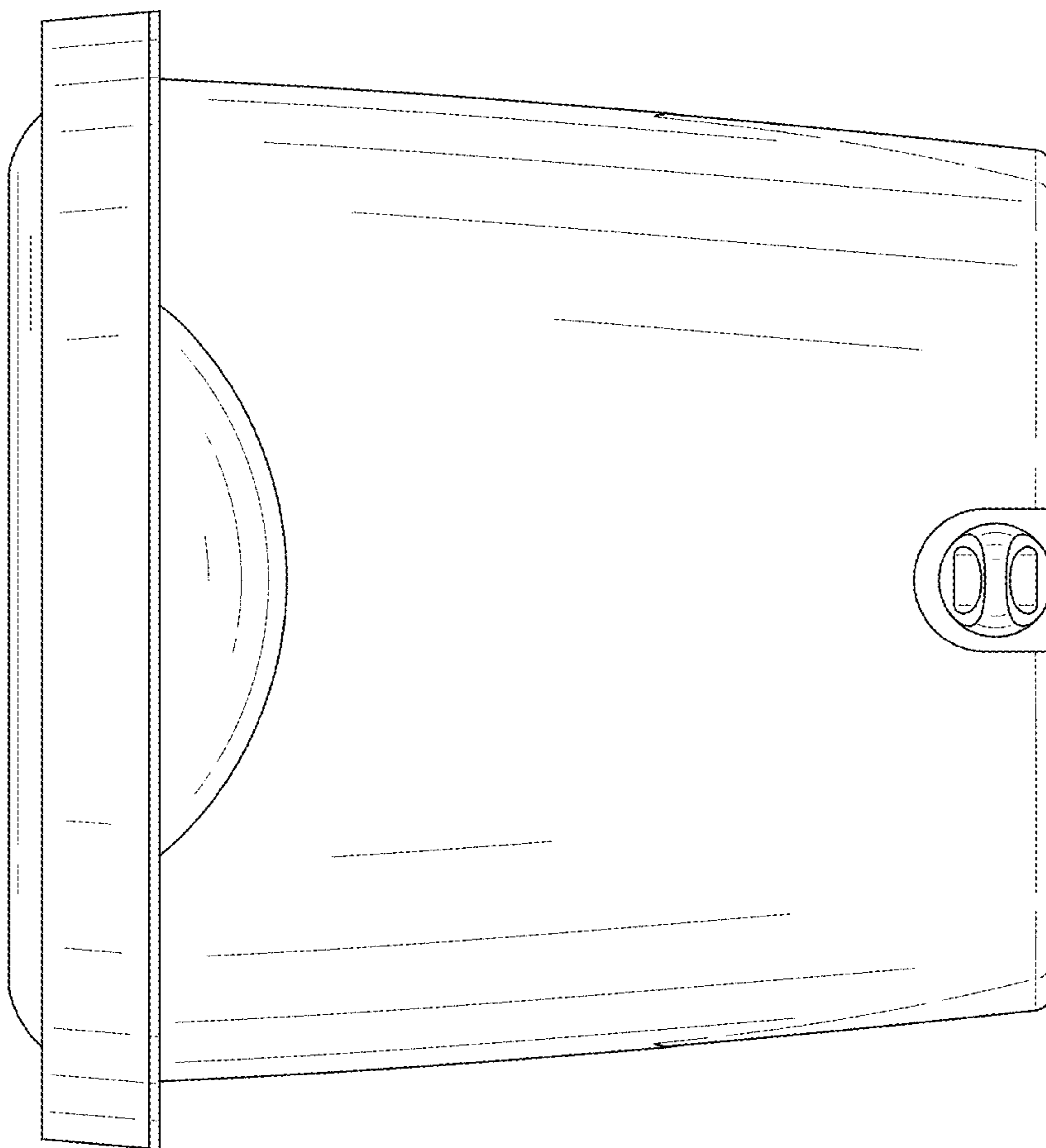


FIG. 6



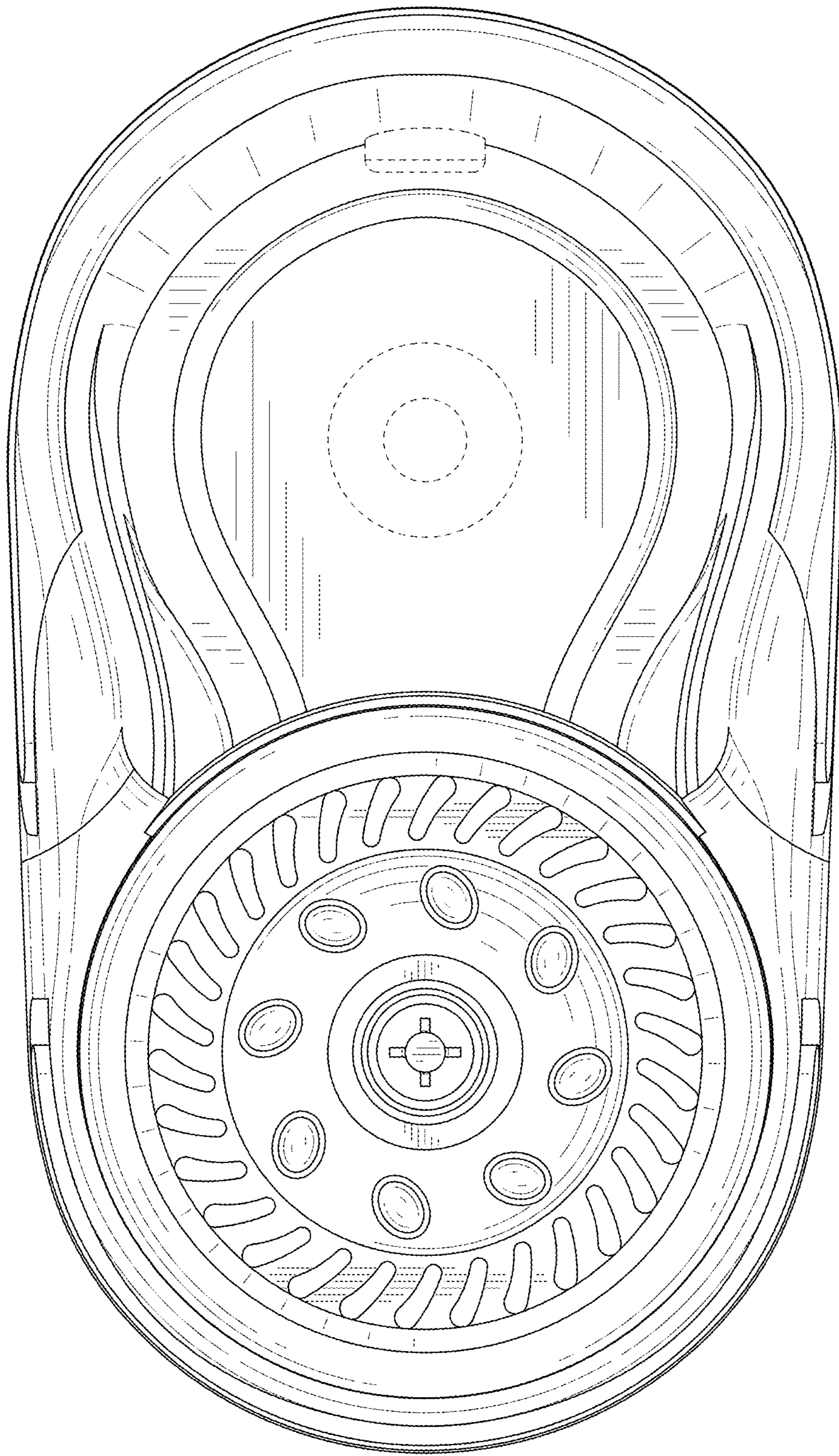


FIG. 7

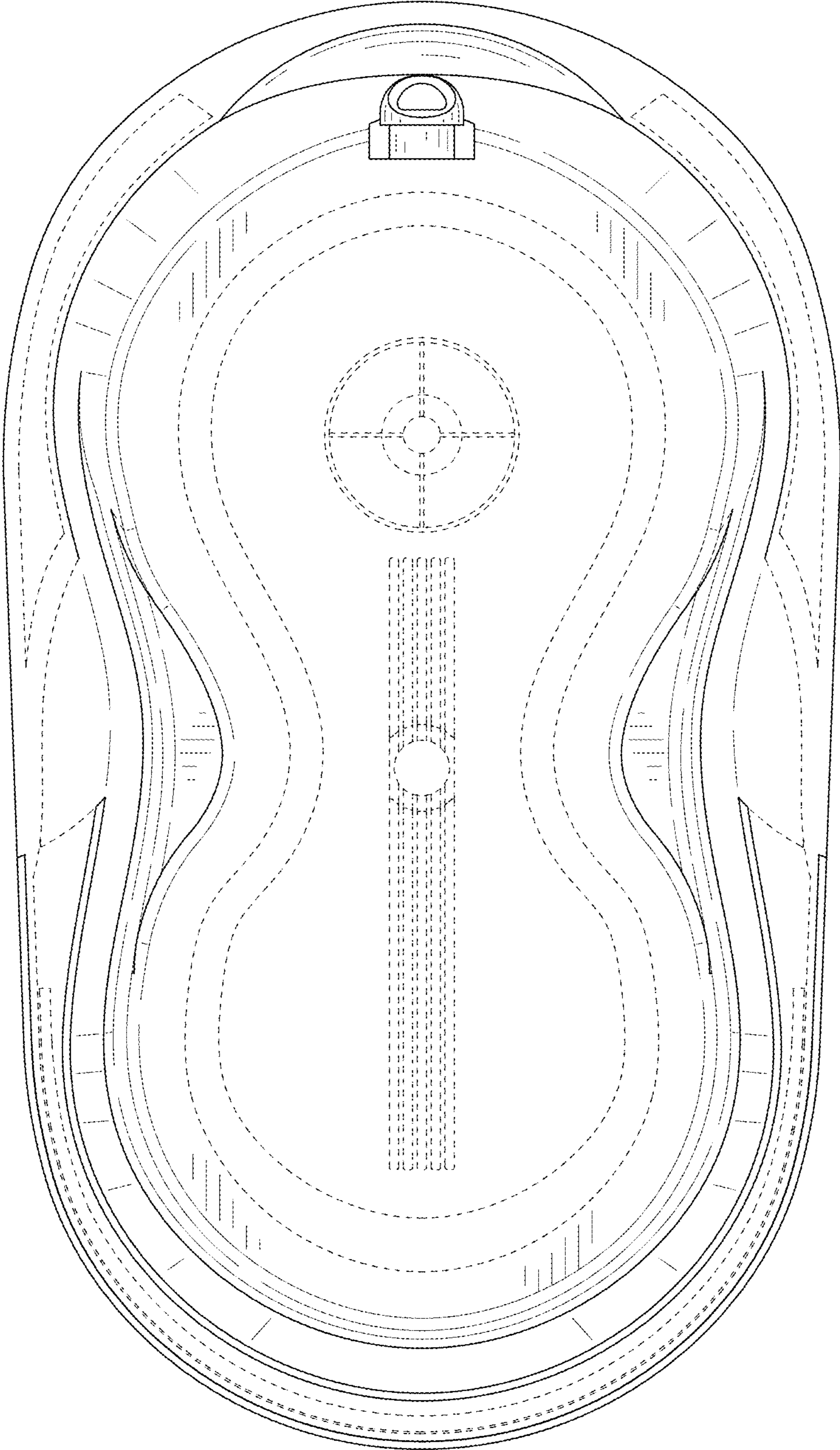


FIG. 8

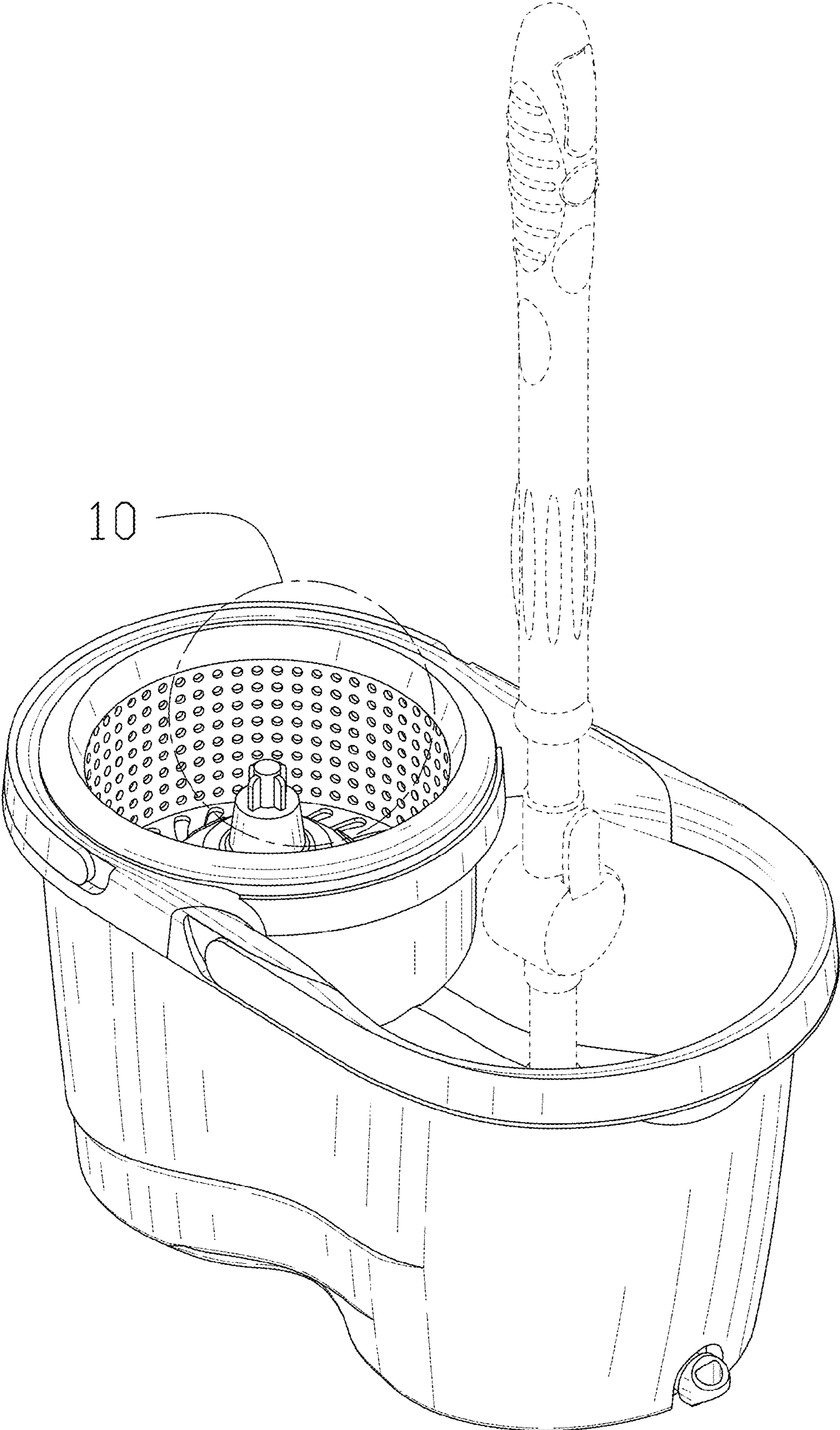


FIG. 9



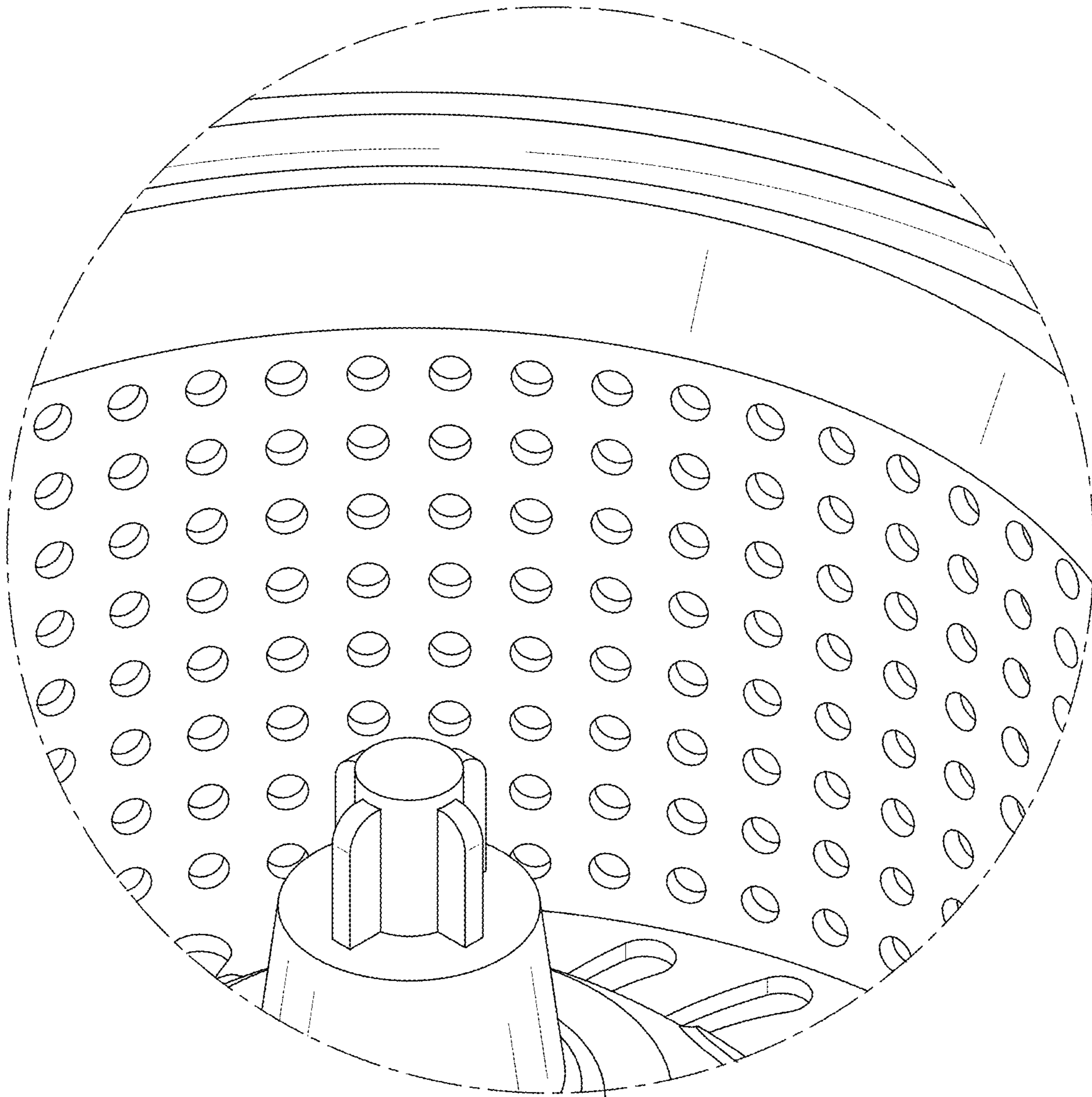


FIG. 10