



US00D919209S

(12) **United States Design Patent** (10) **Patent No.:** **US D919,209 S**  
**Suzuki et al.** (45) **Date of Patent:** **\*\* May 11, 2021**

(54) **HIGH-PRESSURE CLEANER**

(71) Applicant: **MAKITA CORPORATION**, Anjo (JP)

(72) Inventors: **Wataru Suzuki**, Anjo (JP); **Hideaki Sugiura**, Anjo (JP)

(73) Assignee: **MAKITA CORPORATION**, Anjo (JP)

(\*\*) Term: **15 Years**

(21) Appl. No.: **29/700,888**

(22) Filed: **Aug. 6, 2019**

(30) **Foreign Application Priority Data**

Feb. 8, 2019 (JP) ..... 2019-002575

(51) **LOC (13) Cl.** ..... **15-05**

(52) **U.S. Cl.**  
USPC ..... **D32/15; D32/16**

(58) **Field of Classification Search**  
USPC ..... D15/3; D16/219; D26/48; D32/15, 16,  
D32/21, 25  
CPC ..... G03B 15/03; H04N 5/232; B05B 1/302;  
B05B 7/2443; B05B 7/12; B01J 47/002;  
A62C 13/76  
See application file for complete search history.

(56) **References Cited**

**U.S. PATENT DOCUMENTS**

D394,322 S *	5/1998	Dalton	.....	D26/48
D605,797 S *	12/2009	Baker	.....	D26/48
8,955,531 B2	2/2015	Hou et al.		
D737,528 S *	8/2015	Dammkoehler	.....	D32/25
D749,284 S *	2/2016	Renner	.....	D32/25
D781,920 S *	3/2017	Hsu	.....	D15/3
9,616,444 B2	4/2017	Hou et al.		
D806,330 S *	12/2017	Moriya	.....	D32/15
D827,956 S *	9/2018	Spratt	.....	D32/21
D870,184 S *	12/2019	Sheng	.....	D16/219
D909,452 S *	2/2021	Sheng	.....	D16/219

(Continued)

**OTHER PUBLICATIONS**

Ultimate Washer <http://www.ultimatewasher.com/pressure-washers-electric/index.htm> (Year: 2021).\*

*Primary Examiner* — Michelle E. Wilson

*Assistant Examiner* — Richard E Yenchesky

(74) *Attorney, Agent, or Firm* — Global IP Counselors, LLP

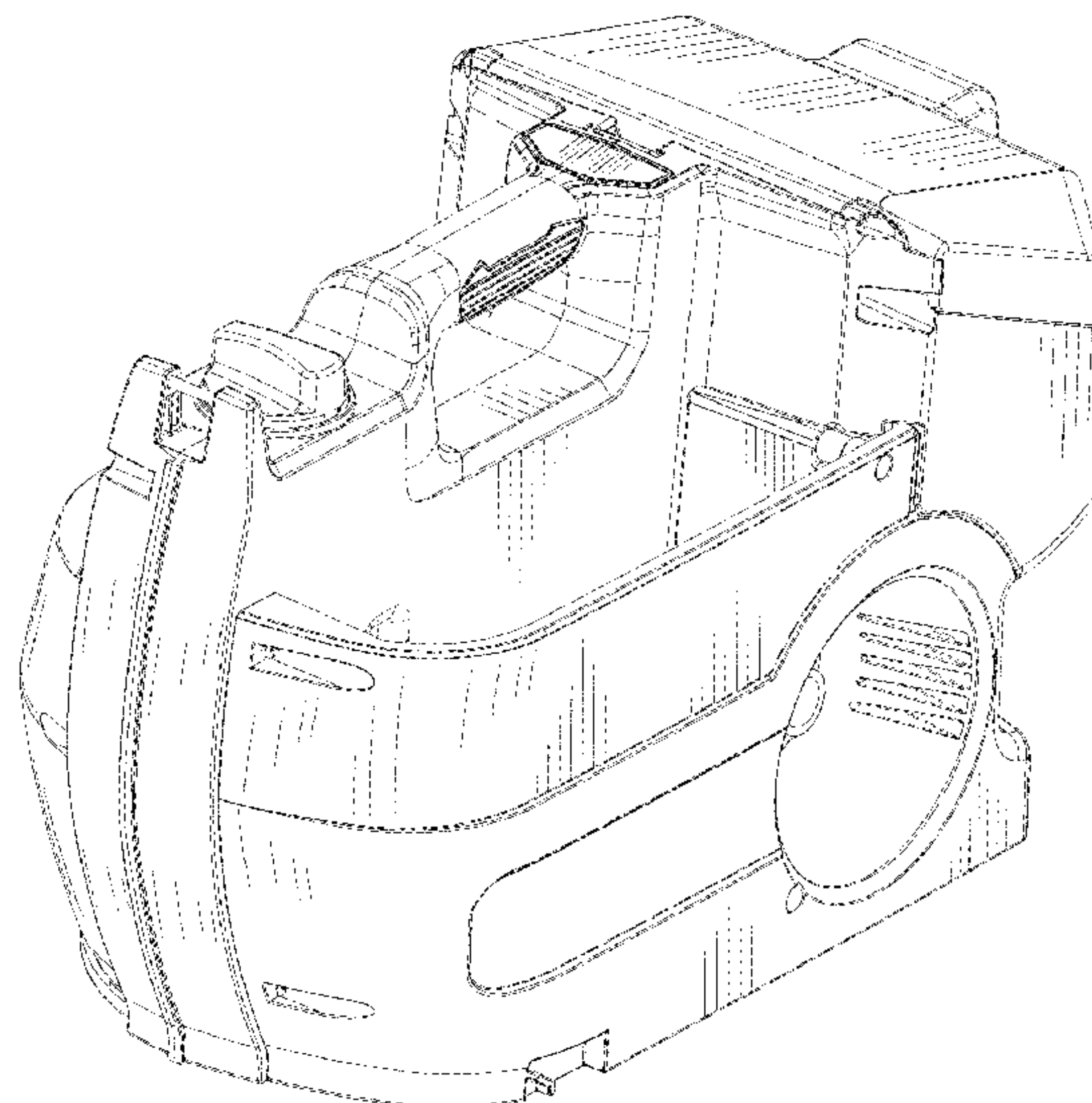
(57) **CLAIM**

The ornamental design for a high-pressure cleaner, as shown and described.

**DESCRIPTION**

FIG. 1 is a front perspective view of a high-pressure cleaner in accordance with our new design;  
FIG. 2 is a rear perspective view of the high-pressure cleaner in accordance with our new design;  
FIG. 3 is a front elevational view of the high-pressure cleaner in accordance with our new design;  
FIG. 4 is a rear elevational view of the high-pressure cleaner in accordance with our new design;  
FIG. 5 is a top plan view of the high-pressure cleaner in accordance with our new design;  
FIG. 6 is a bottom plan view of the high-pressure cleaner in accordance with our new design;  
FIG. 7 is a right side elevational view of the high-pressure cleaner in accordance with our new design;  
FIG. 8 is a left side elevational view of the high-pressure cleaner in accordance with our new design; and,  
FIG. 9 is a front perspective view showing a state in which a hose and an attachment are attached to the high-pressure cleaner in accordance with our new design.  
The broken line showing of environmental structures in the drawings forms no part of the claimed design.

**1 Claim, 9 Drawing Sheets**



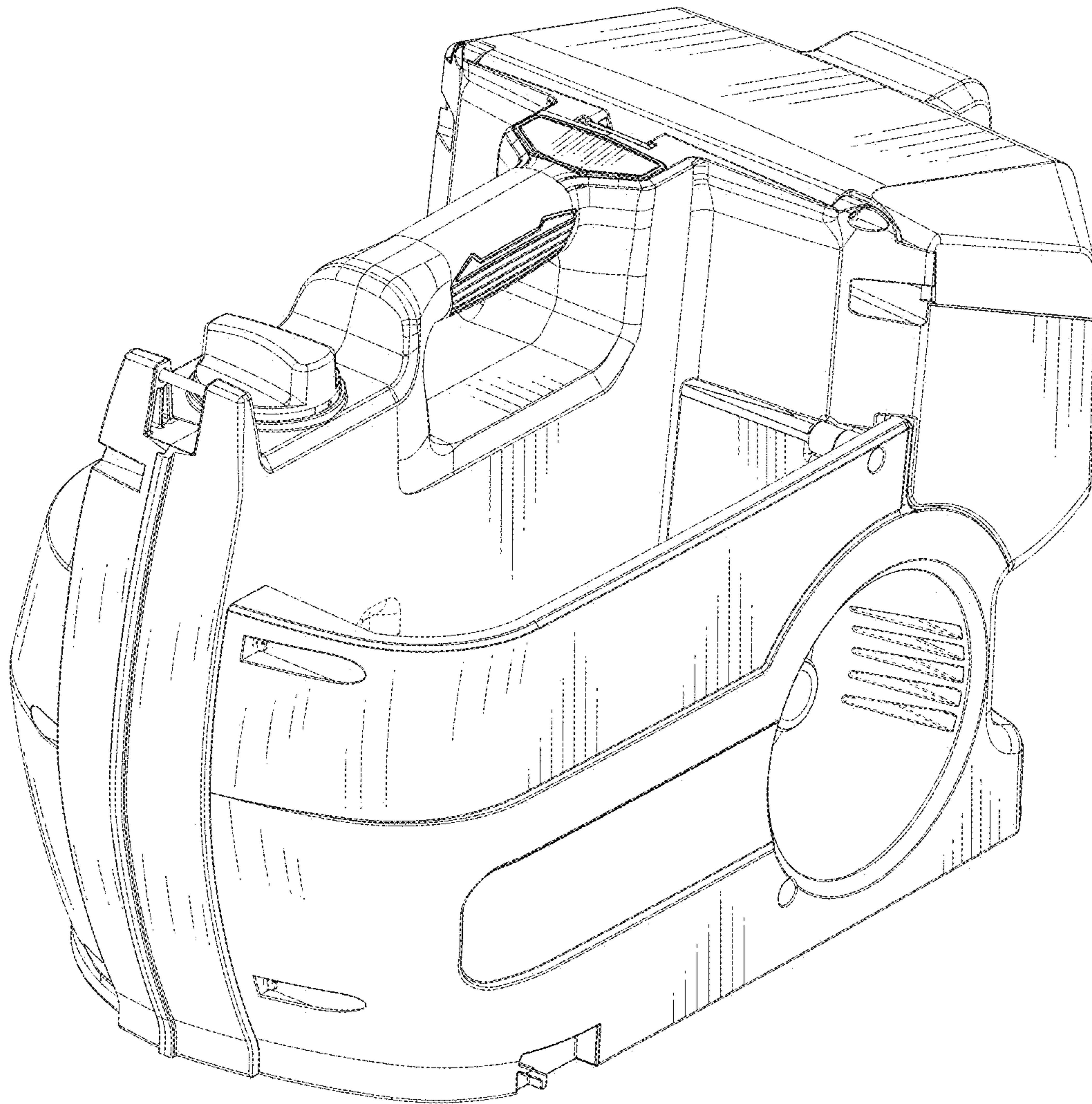
(56)

**References Cited**

U.S. PATENT DOCUMENTS

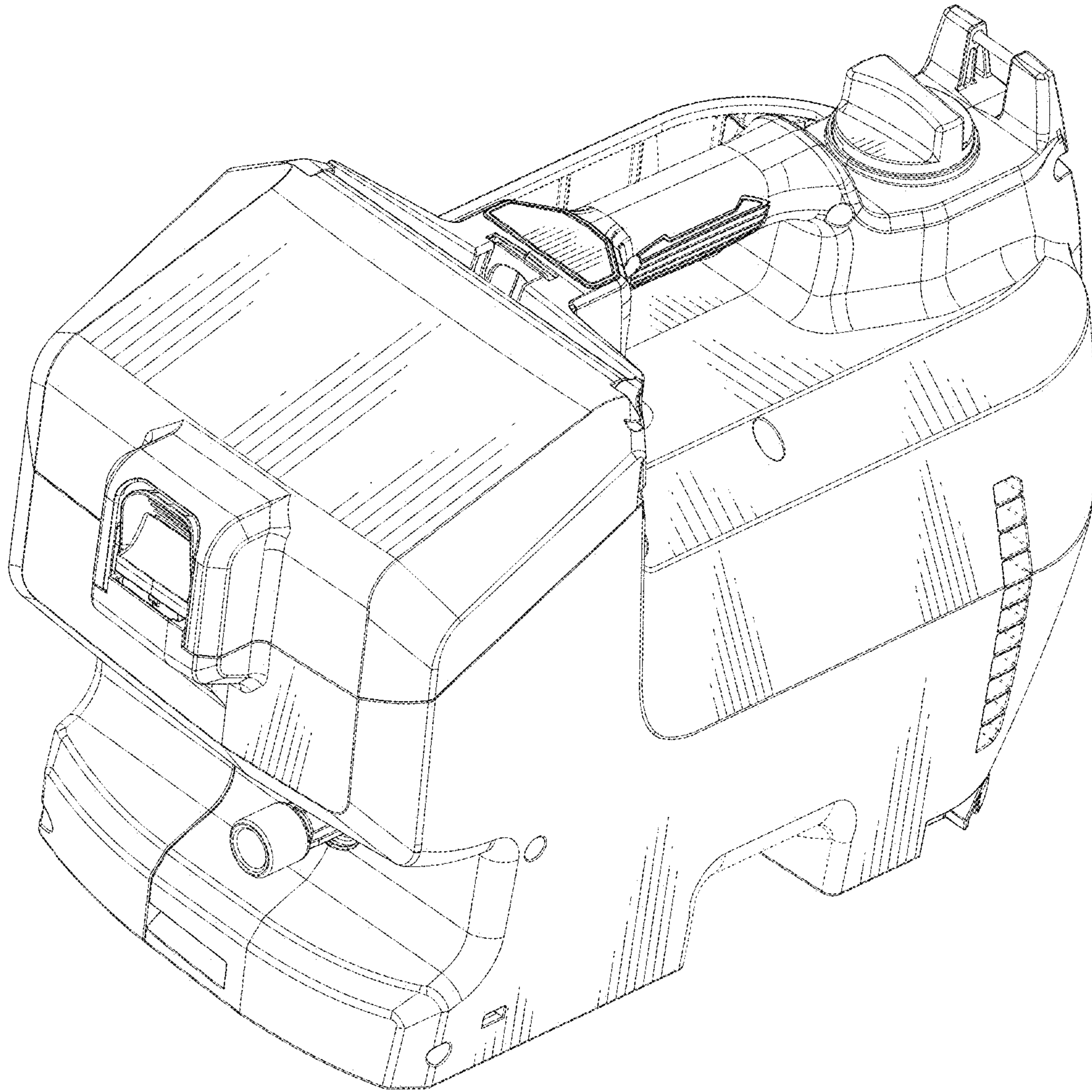
2019/0204715 A1\* 7/2019 Sheng ..... G03B 15/03  
2019/0204720 A1\* 7/2019 Sheng ..... H04N 5/232

\* cited by examiner

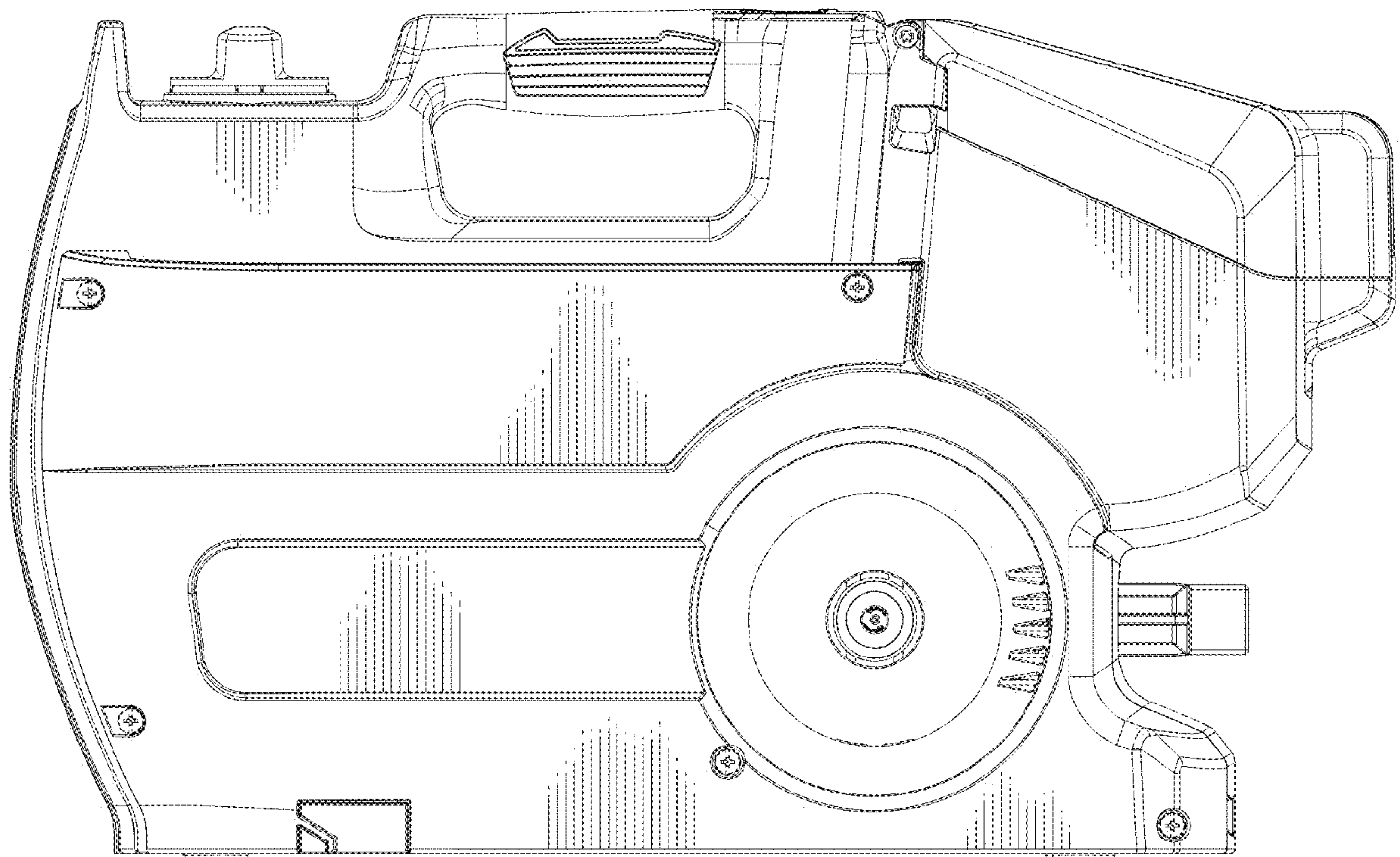


**FIG. 1**

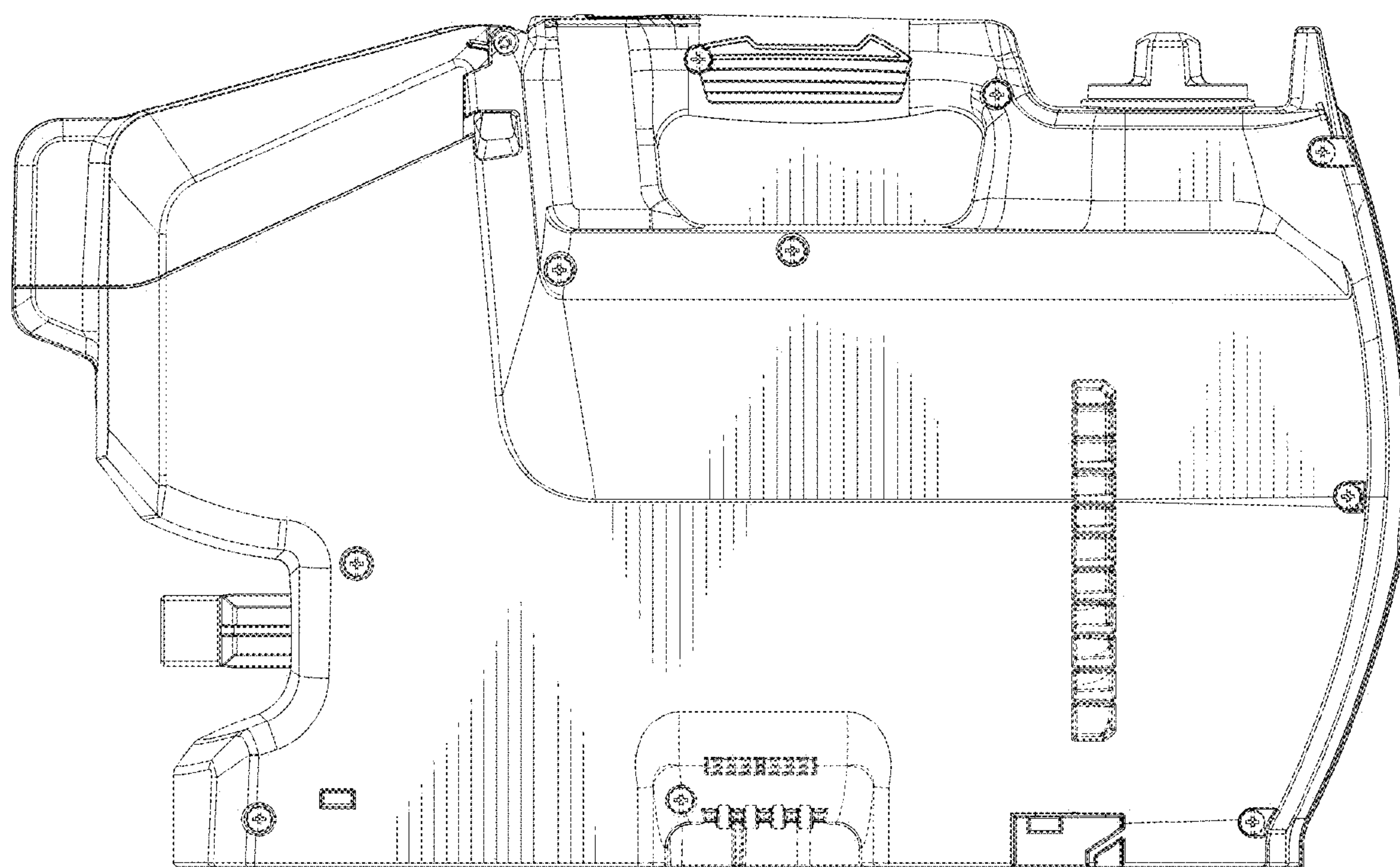




**FIG. 2**

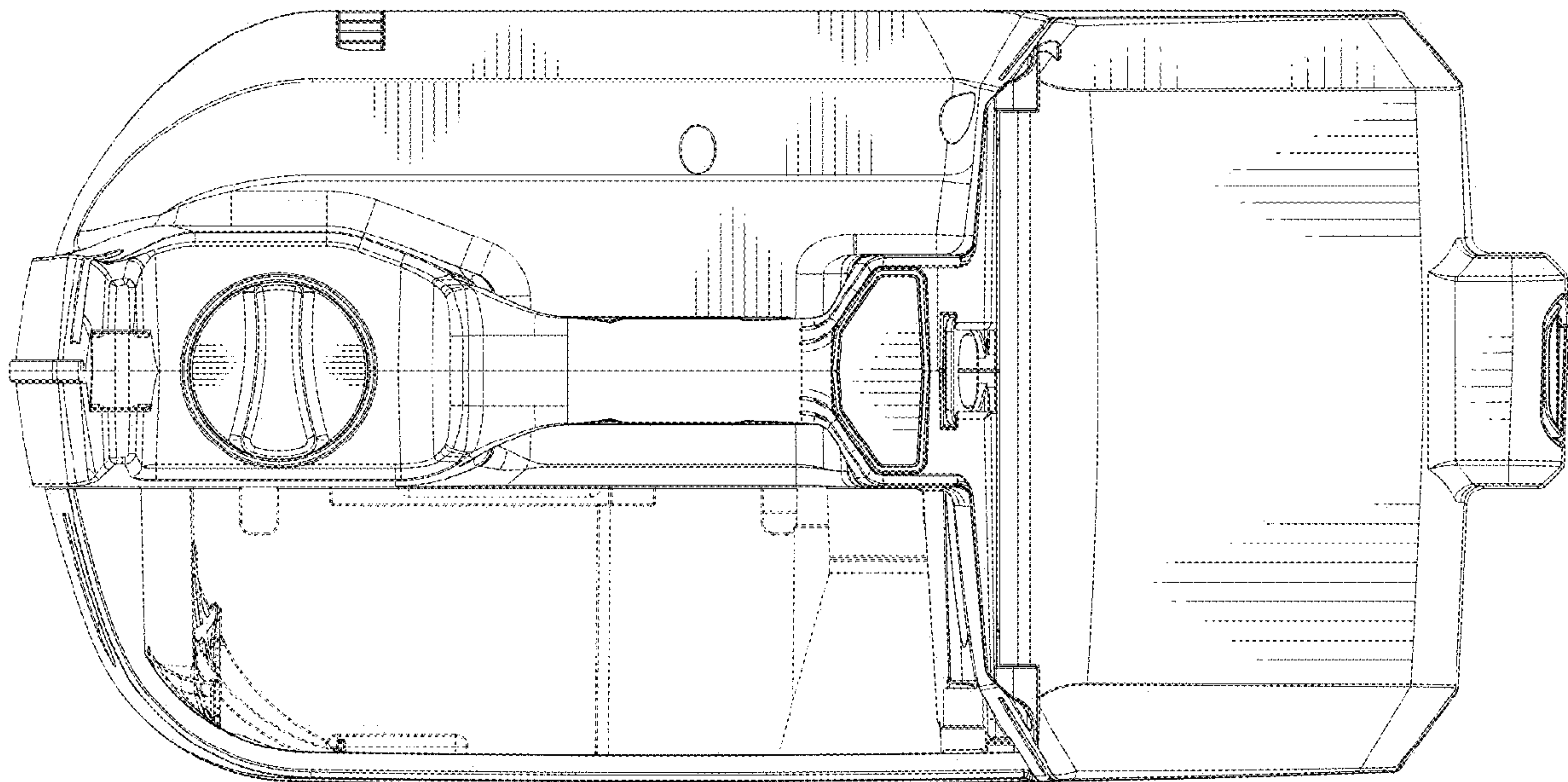


**FIG. 3**

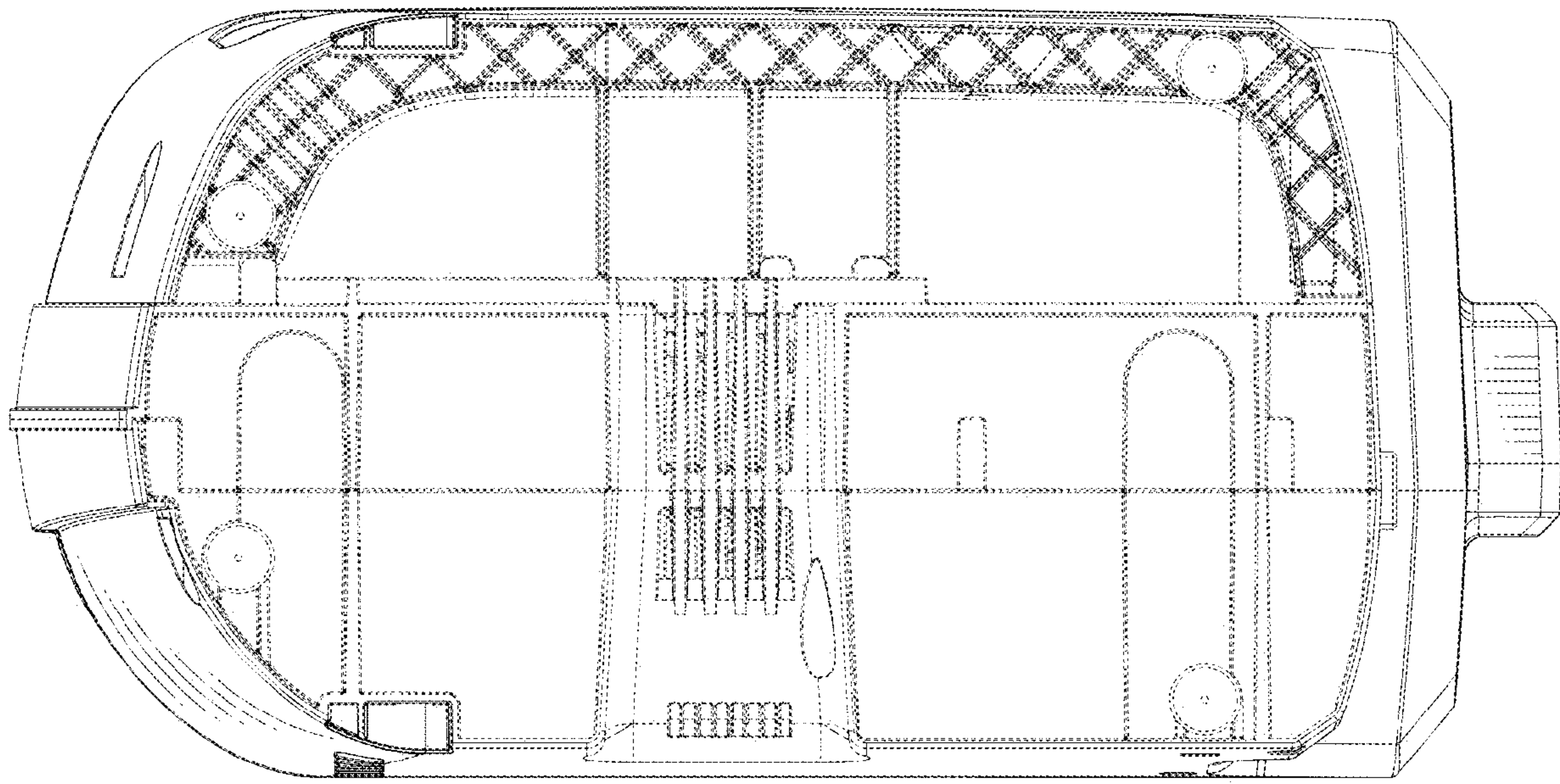


**FIG. 4**



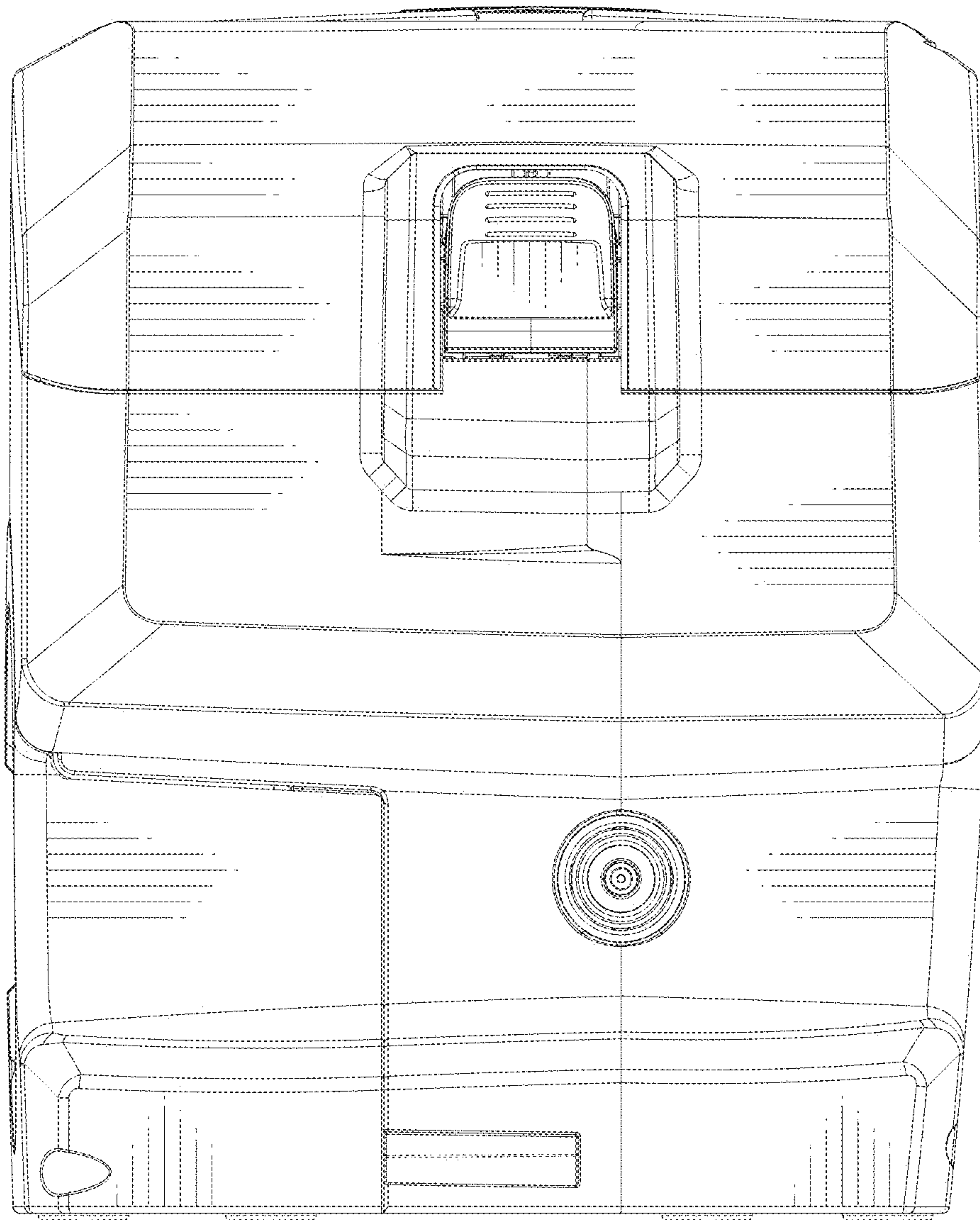


**FIG. 5**

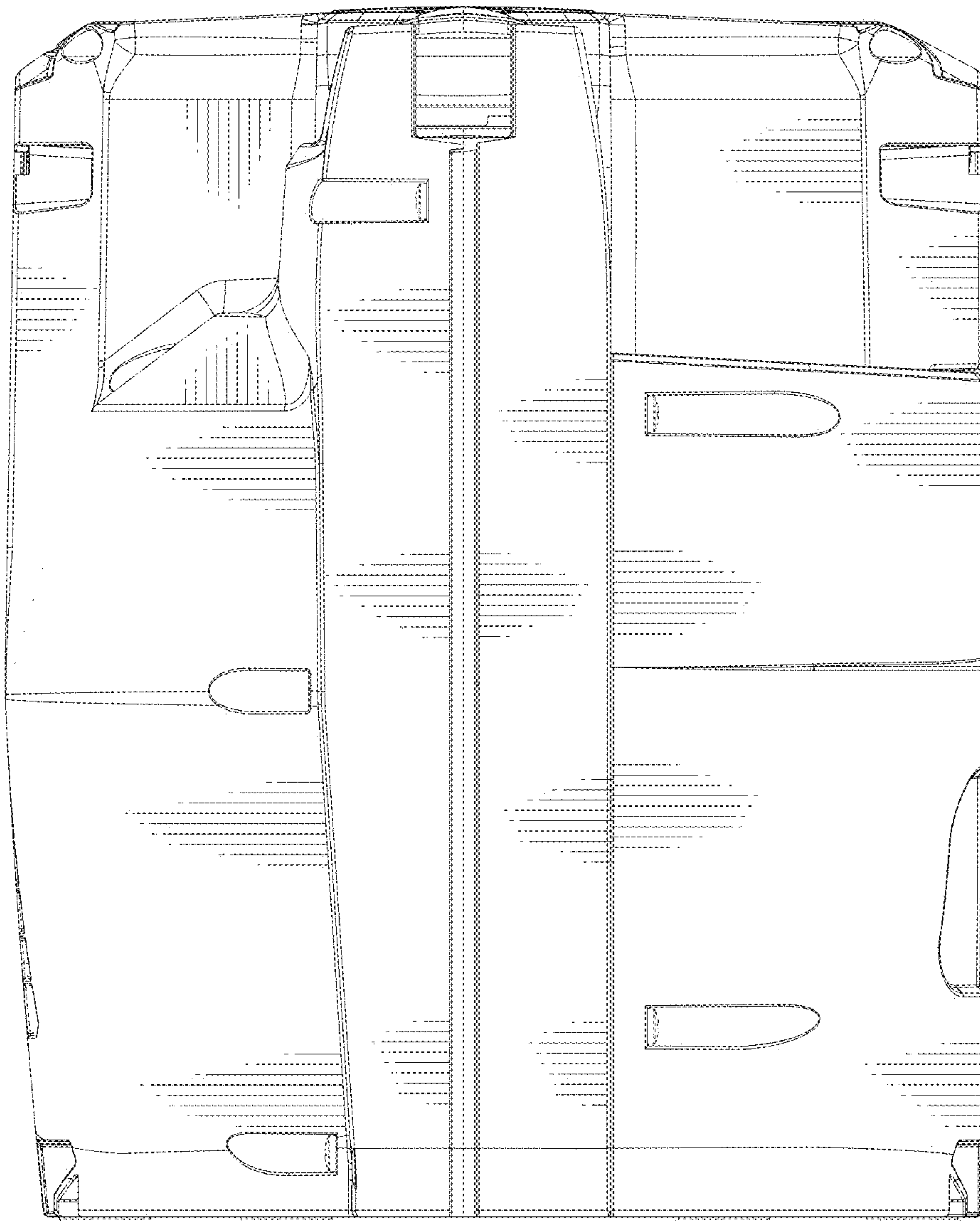


**FIG. 6**

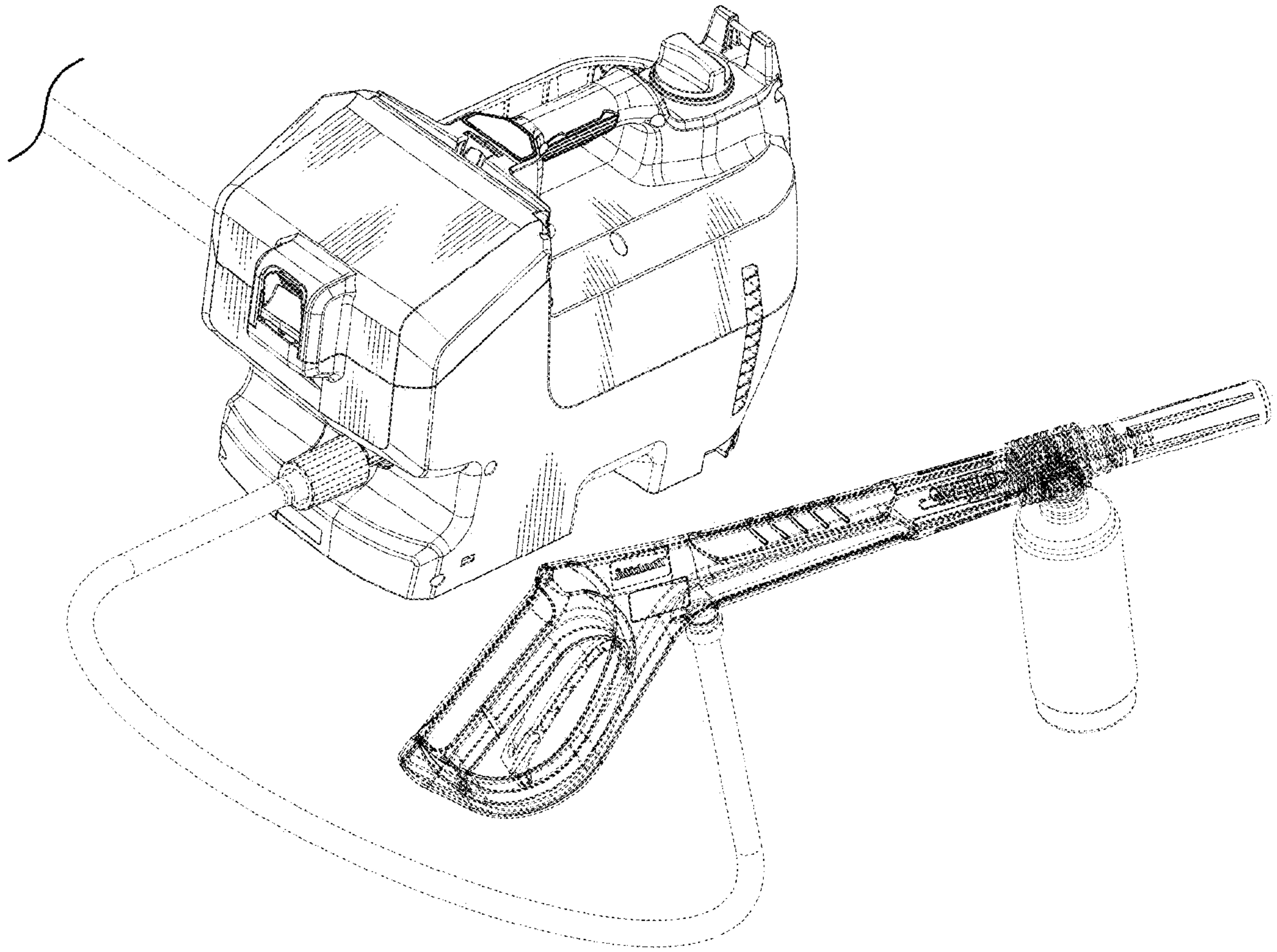




**FIG. 7**



**FIG. 8**



**FIG. 9**