



US00D919207S

(12) **United States Design Patent** (10) **Patent No.:** **US D919,207 S**
Dammkoehler et al. (45) **Date of Patent:** **** May 11, 2021**

(54) **CLEANING MACHINE**
(71) Applicant: **Alfred Kaercher SE & Co. KG**,
Winnenden (DE)
(72) Inventors: **Denis Dammkoehler**, Backnang (DE);
Yunjin Zhao, Winnenden (DE)
(73) Assignee: **Alfred Kaercher SE & Co. KG**,
Winnenden (DE)

D712,605 S * 9/2014 Dammkoehler D32/21
D714,501 S * 9/2014 Dammkoehler D32/22
D720,900 S * 1/2015 Hickmott D32/21
D779,138 S * 2/2017 Jin D32/16
D782,759 S * 3/2017 Mathiassen D32/21
D785,254 S * 4/2017 Dammkoehler D32/16
D793,635 S * 8/2017 Dammkoehler D32/16
D835,369 S * 12/2018 Thakur D32/15
10,555,657 B2 * 2/2020 Pedlar A47L 11/24
D894,505 S * 8/2020 Yang D32/15
2011/0030724 A1 * 2/2011 Alexander B08B 3/026
134/6

(**) Term: **15 Years**

(21) Appl. No.: **29/680,371**

(22) Filed: **Feb. 15, 2019**

(30) **Foreign Application Priority Data**

Aug. 23, 2018 (WO) DM/102 689

(51) **LOC (13) Cl.** **15-05**

(52) **U.S. Cl.**
USPC **D32/15**

(58) **Field of Classification Search**
USPC D32/15-16, 1, 20-21
CPC B05B 9/04; B05B 7/24
See application file for complete search history.

(56) **References Cited**

U.S. PATENT DOCUMENTS

D221,021 S * 6/1971 Jones D32/21
D337,185 S * 7/1993 Wulff D32/15
D370,320 S * 5/1996 Hachtmann D32/16
5,890,258 A * 4/1999 Lee A47L 11/30
15/320
D525,000 S * 7/2006 Williams D32/15
D542,988 S * 5/2007 Dammkoehler D32/16
D549,405 S * 8/2007 Dammkoehler D32/16
D568,009 S * 4/2008 Lam D32/21
D570,058 S * 5/2008 Watson D32/1
D571,512 S * 6/2008 Dammkoehler D32/15
D581,608 S * 11/2008 Dammkoehler D32/21

OTHER PUBLICATIONS

Extract from catalog of Alfred Kaercher GmbH & Co. KG, "Programme 2014 Kaercher Professional", cover, pp. 394, 532 and last page (Nov. 2013).

* cited by examiner

Primary Examiner — John R Yeh

(74) *Attorney, Agent, or Firm* — Lipsitz & McAllister, LLC

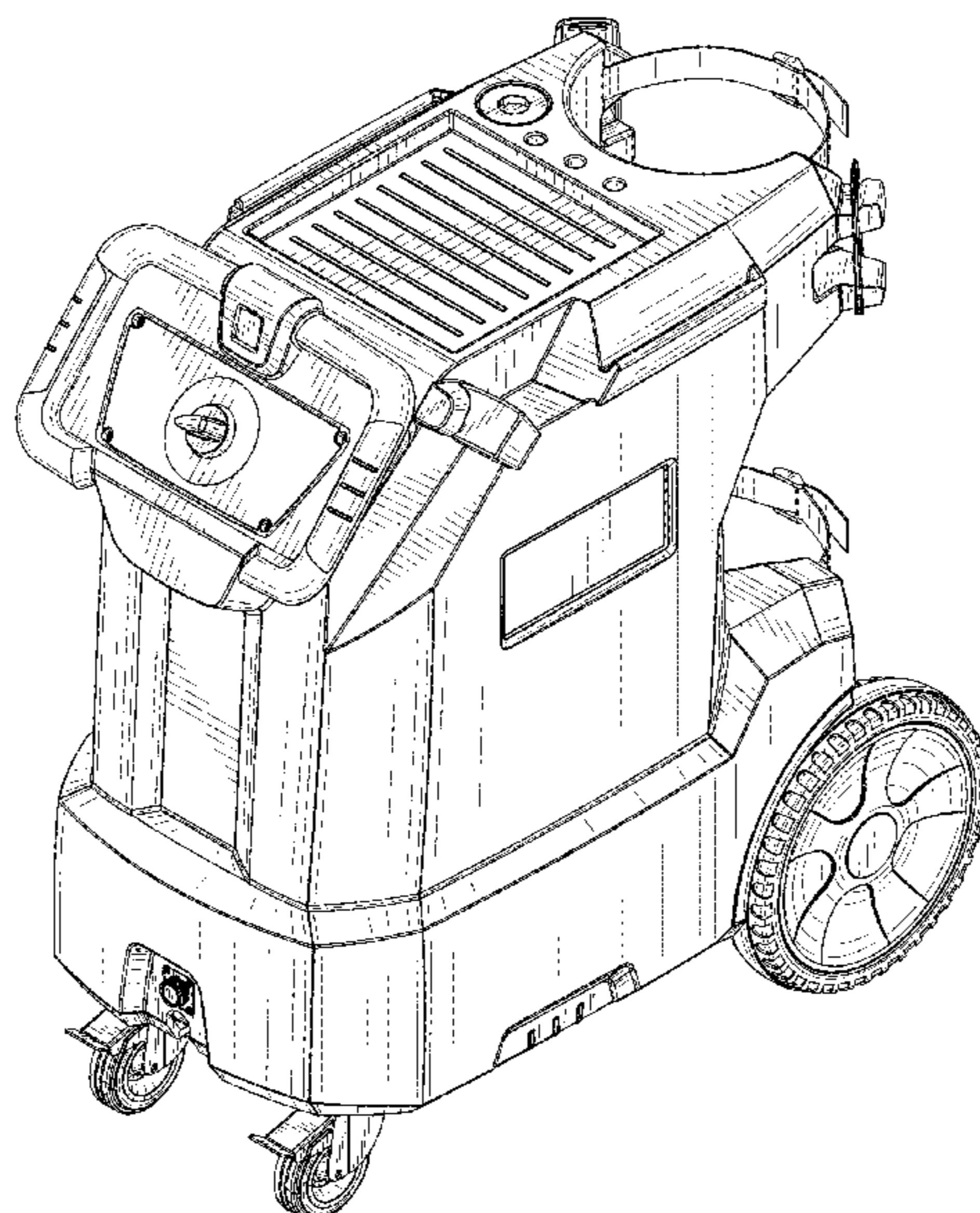
(57) **CLAIM**

The ornamental design for a cleaning machine, as shown and described.

DESCRIPTION

FIG. 1 is a front, top and left side perspective view of a cleaning machine showing the new design;
FIG. 2 is a front, top and right side perspective view thereof;
FIG. 3 is a front elevational view thereof;
FIG. 4 is a left side elevational view thereof;
FIG. 5 is a rear elevational view thereof;
FIG. 6 is a right side elevational view thereof; and,
FIG. 7 is a top plan view thereof.
The broken line showing of various elements in the Figures forms no part of the claimed design.

1 Claim, 7 Drawing Sheets



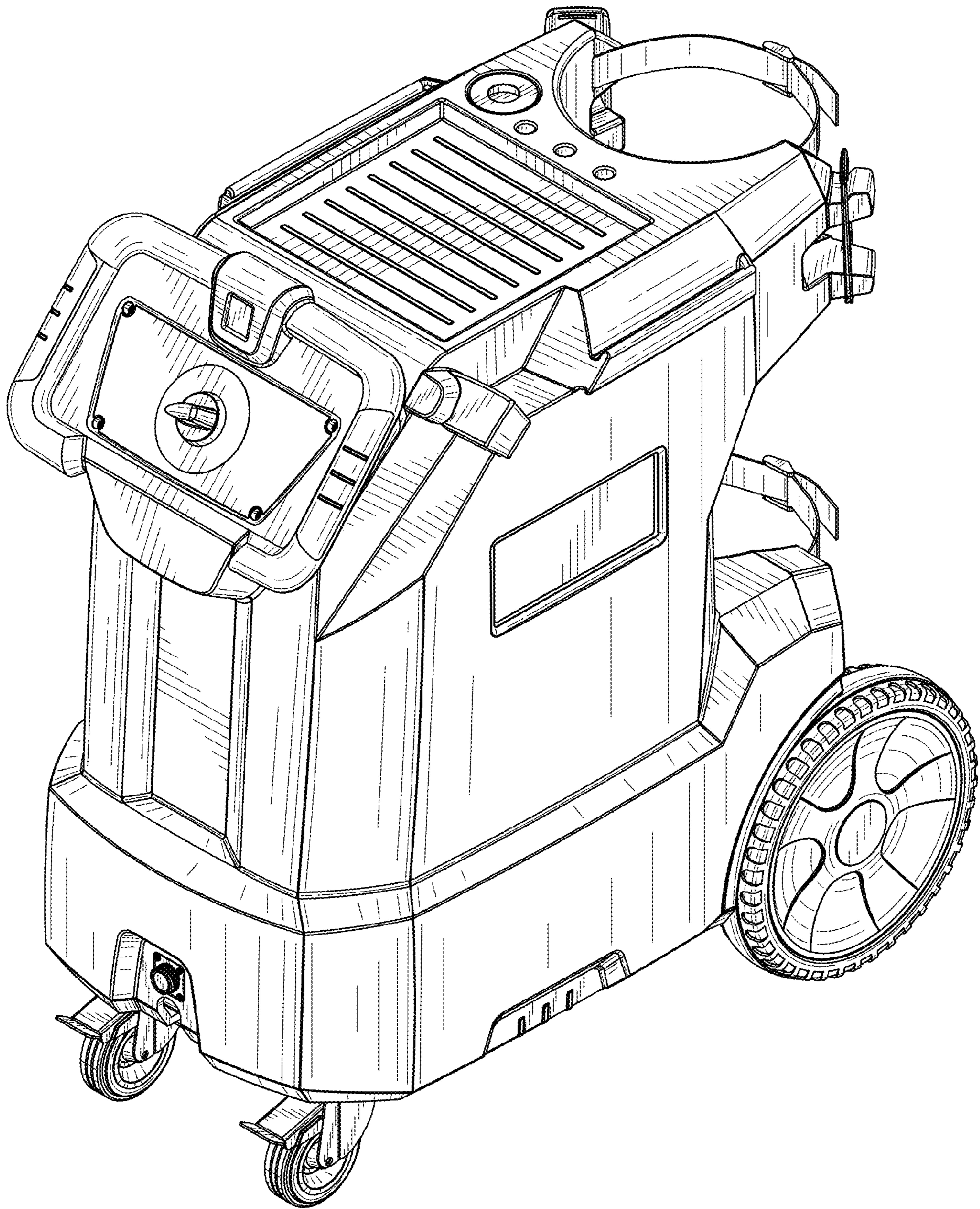


FIG. 1

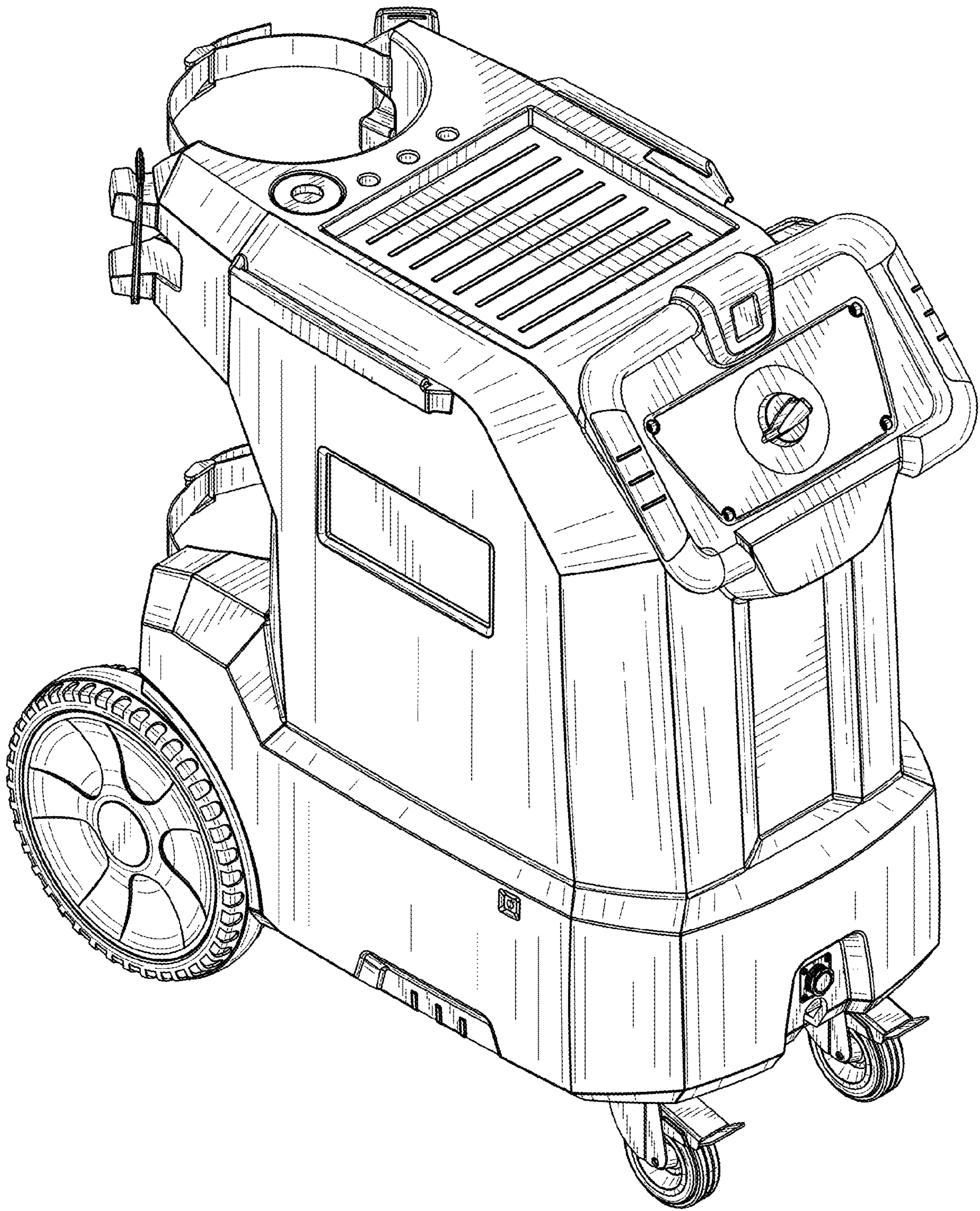


FIG.2

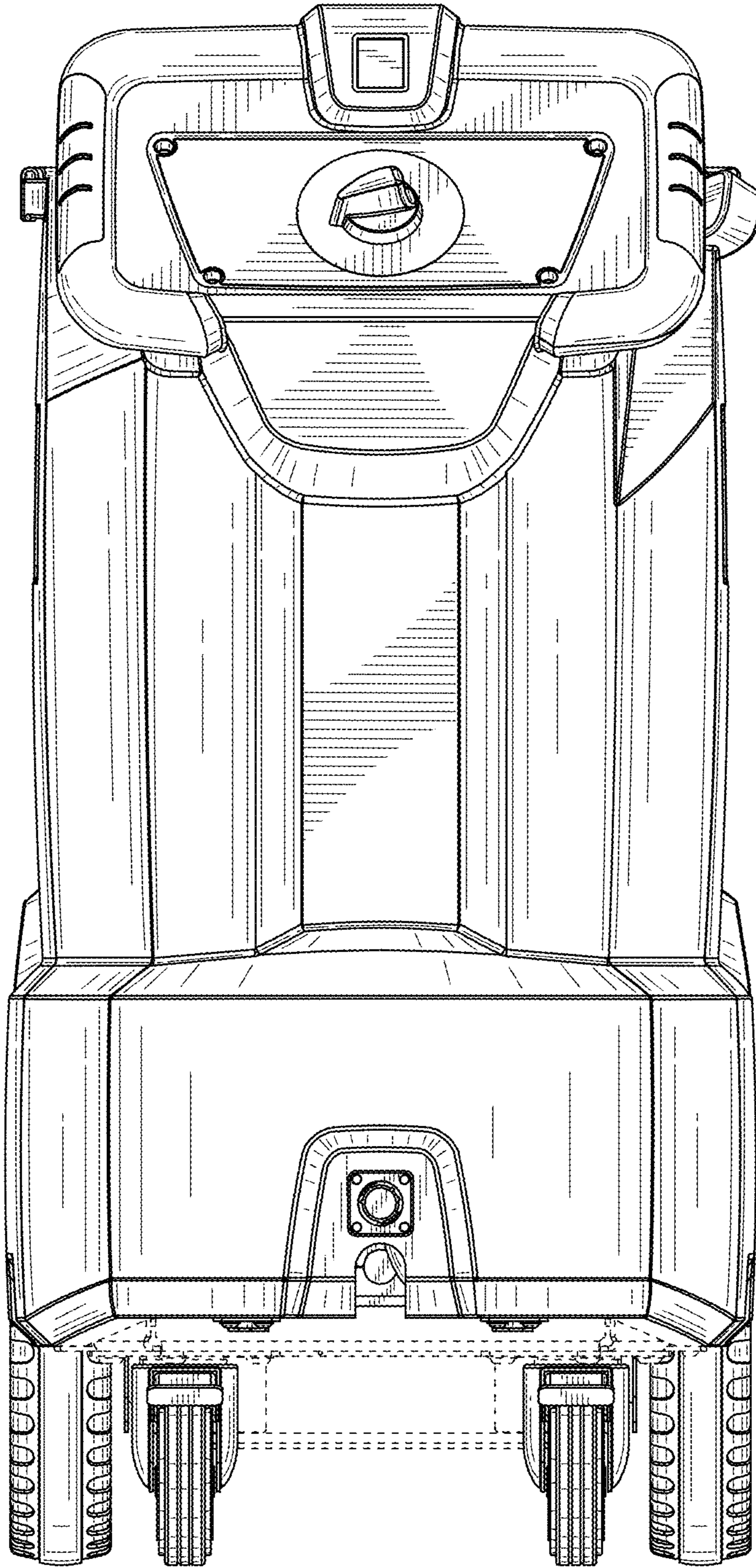


FIG. 3

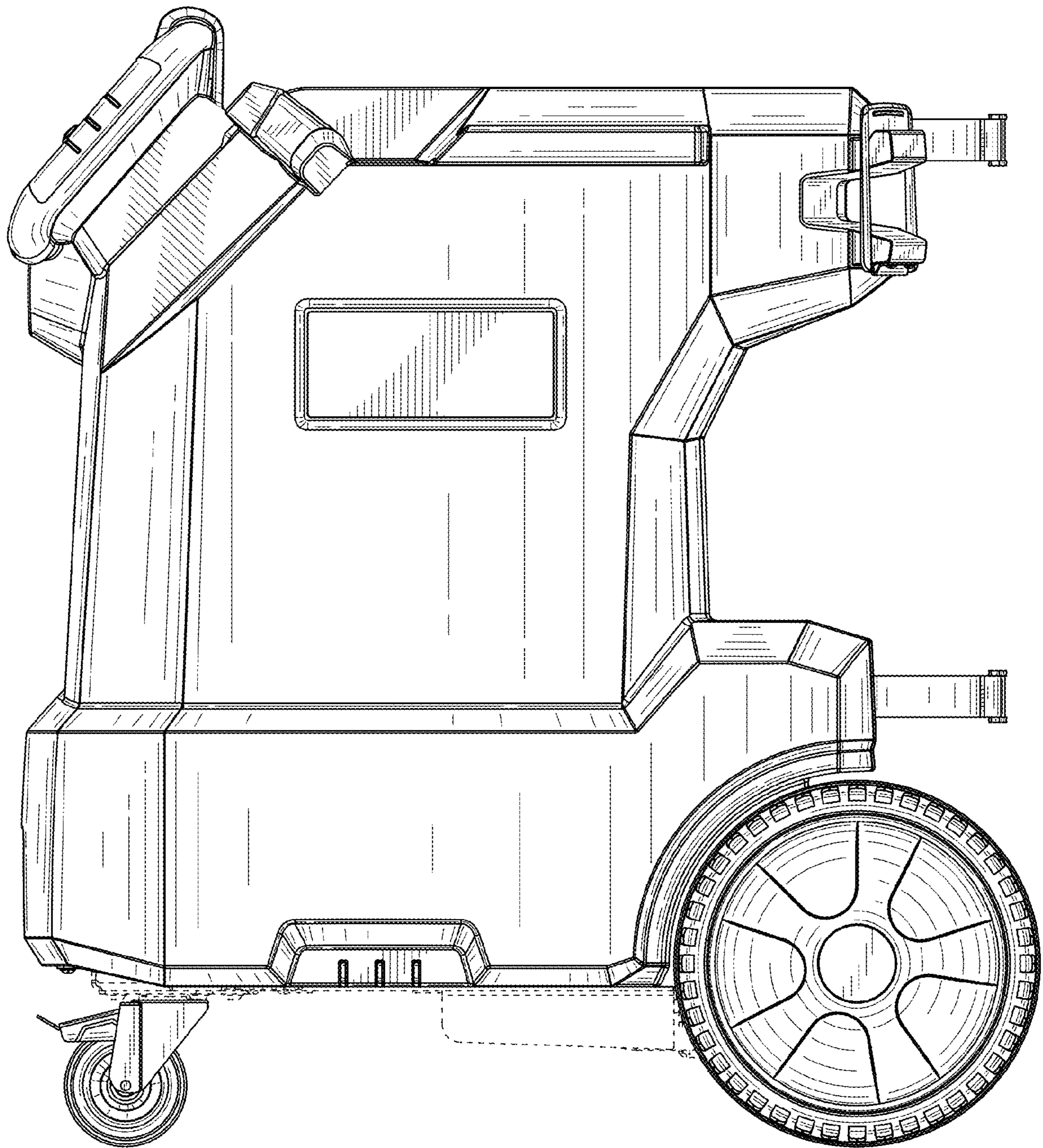


FIG.4

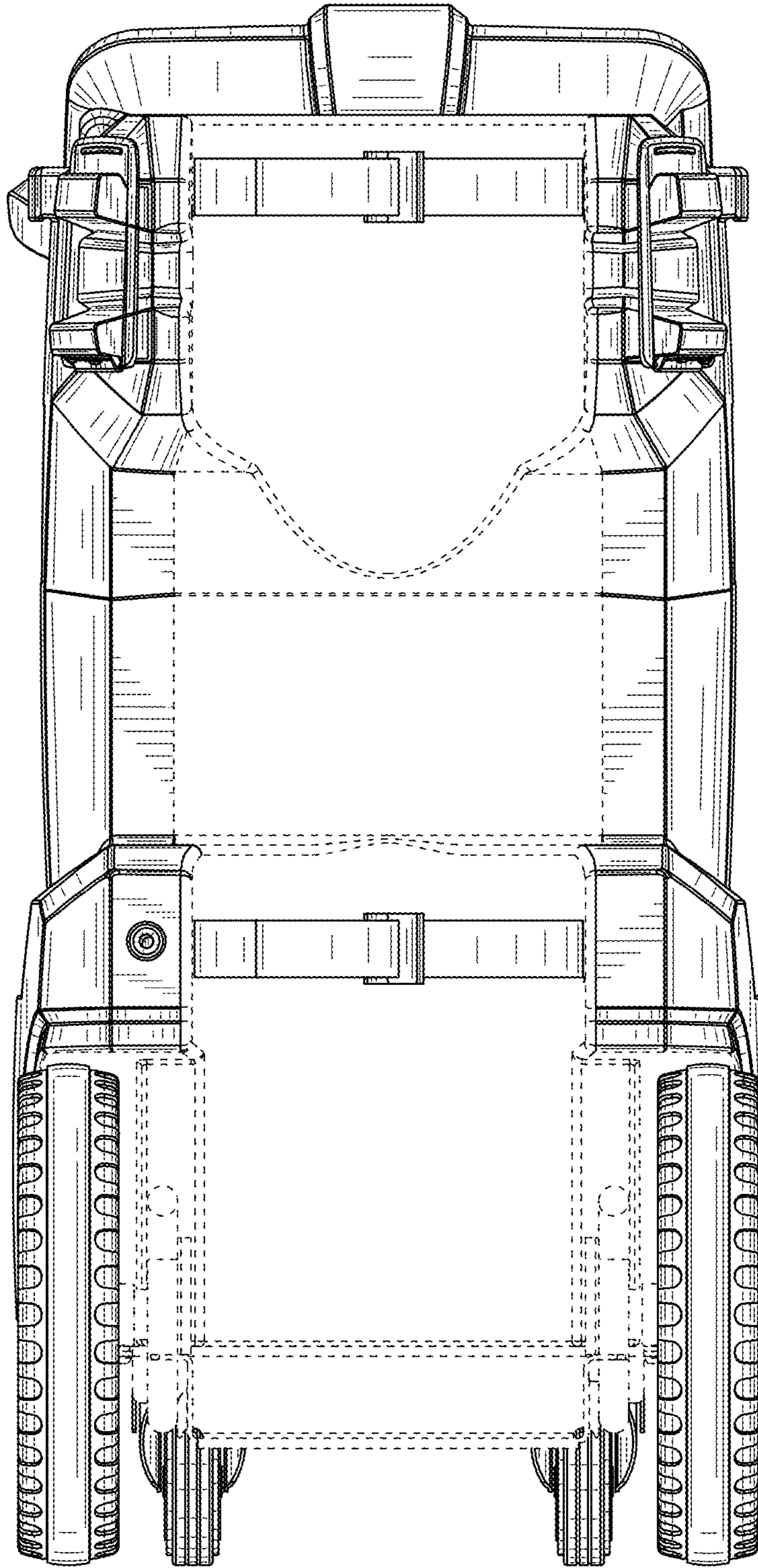


FIG. 5

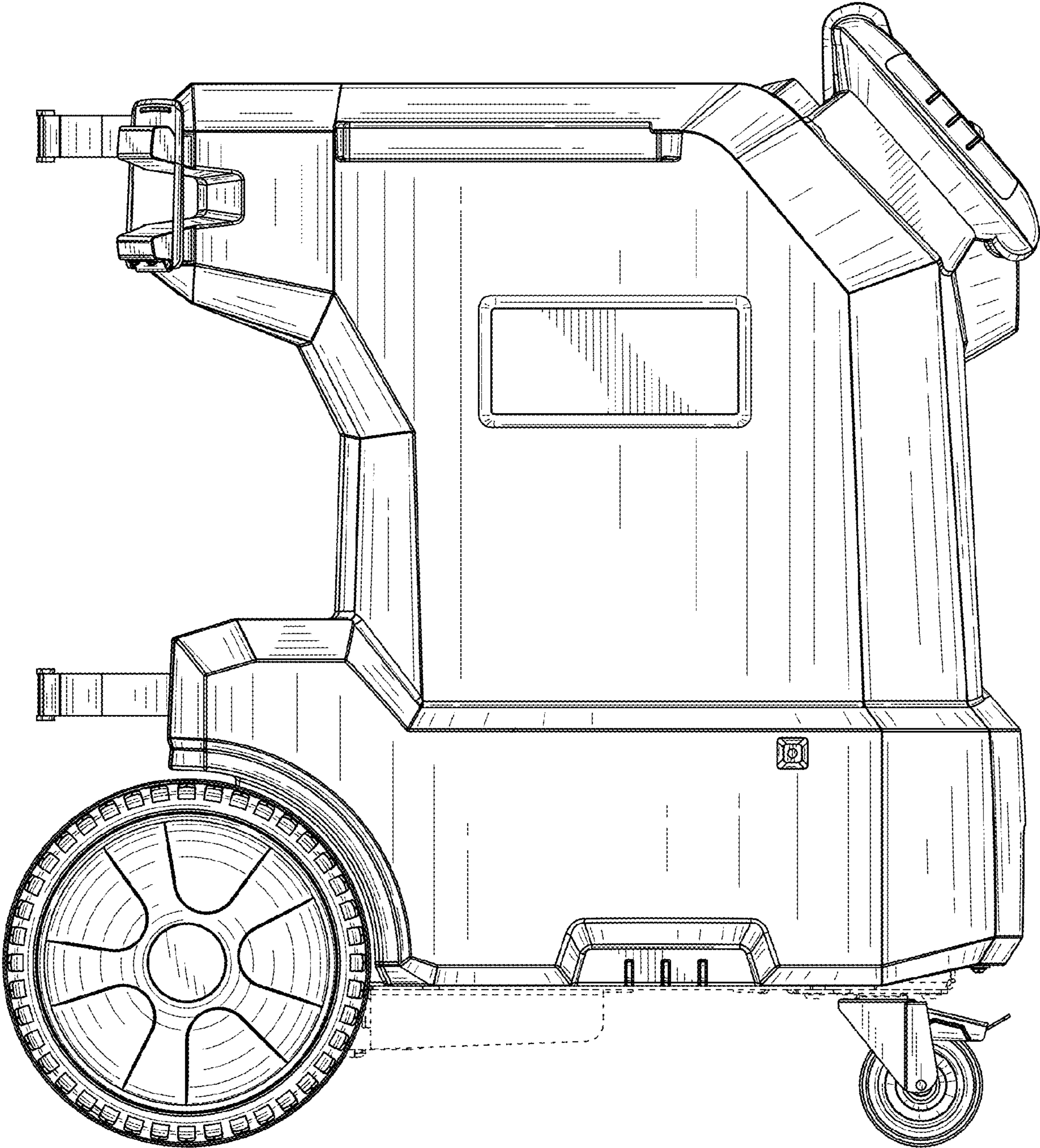


FIG.6

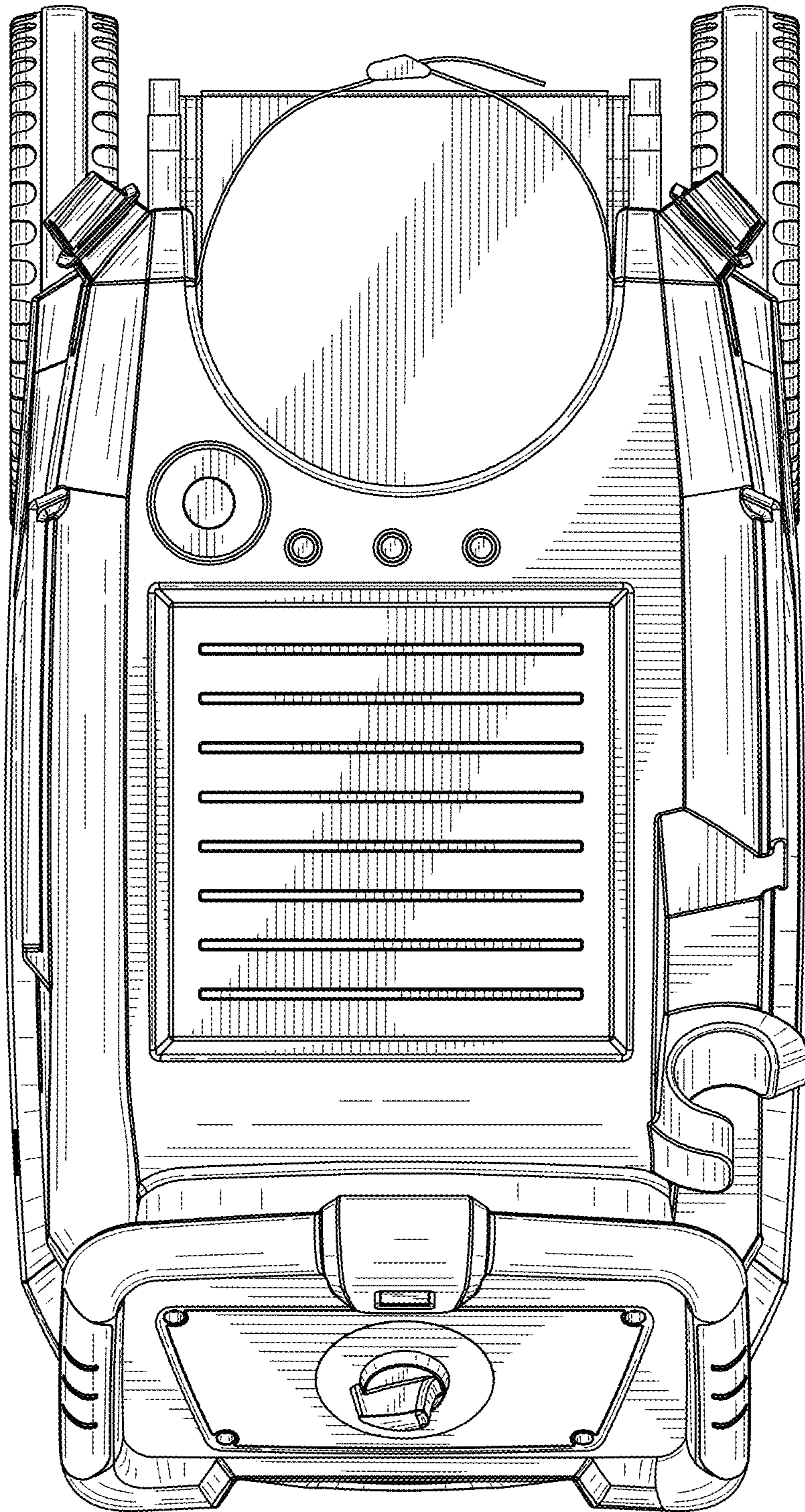


FIG.7