



US00D919206S

(12) **United States Design Patent** (10) **Patent No.:** **US D919,206 S**
Lee et al. (45) **Date of Patent:** **** May 11, 2021**

(54) **DRUM TYPE WASHING MACHINE**

39/005; D06F 39/006; D06F 39/007;
D06F 39/024; D06F 39/12; D06F 39/14;
D06F 58/20

(71) Applicant: **LG ELECTRONICS INC.**, Seoul
(KR)

See application file for complete search history.

(72) Inventors: **Junghwan Lee**, Seoul (KR); **Eunyoung Chee**, Seoul (KR); **Sojin Park**, Seoul (KR)

(56) **References Cited**

U.S. PATENT DOCUMENTS

(73) Assignee: **LG ELECTRONICS INC.**, Seoul
(KR)

D517,255 S *	3/2006	Kim	D32/5
D517,257 S *	3/2006	Kim	D32/6
D544,658 S *	6/2007	Kim	D32/6
D549,896 S *	8/2007	Suh	D32/6
D549,897 S *	8/2007	Suh	D32/6
D549,902 S *	8/2007	Suh	D32/8
D559,480 S *	1/2008	Kwon	D32/6
D565,809 S *	4/2008	Eicher	D32/6
D579,610 S *	10/2008	Jeon	D32/6
D697,678 S *	1/2014	Jeon	D32/6
D869,792 S *	12/2019	Lee	D32/6
D901,108 S *	11/2020	Ma	D32/6

(**) Term: **15 Years**

(21) Appl. No.: **35/508,483**

(22) Filed: **Jun. 21, 2019**

(80) **Hague Agreement Data**

Int. Filing Date: **Jun. 21, 2019**
Int. Reg. No.: **DM/205383**
Int. Reg. Date: **Jun. 21, 2019**
Int. Reg. Pub. Date: **Jan. 31, 2020**

* cited by examiner

Primary Examiner — Khawaja Anwar

(74) *Attorney, Agent, or Firm* — Birch, Stewart, Kolasch & Birch LLP

(51) **LOC (13) Cl.** **32-03**

(52) **U.S. Cl.**
USPC **D32/6**

(57) **CLAIM**

The ornamental design for drum type washing machine, as shown and described.

(58) **Field of Classification Search**

USPC D32/1, 5, 6, 8, 10, 25, 28, 29, 29.1
CPC D06F 33/02; D06F 37/22; D06F 39/02;
D06F 2058/2864; D06F 2058/287; D06F
2204/086; D06F 35/006; D06F 37/265;
D06F 37/268; D06F 58/206; D06F 58/28;
D06F 13/00; D06F 13/02; D06F 17/06;
D06F 17/10; D06F 2202/085; D06F
2202/10; D06F 2202/12; D06F 2204/04;
D06F 2204/065; D06F 2204/082; D06F
2222/00; D06F 23/04; D06F 25/00; D06F
29/005; D06F 37/02; D06F 37/04; D06F
37/14; D06F 37/203; D06F 37/206; D06F
37/225; D06F 37/24; D06F 37/267; D06F
37/28; D06F 37/36; D06F 37/40; D06F

DESCRIPTION

1. Drum type washing machine

1.1 : Perspective

1.2 : Front

1.3 : Back

1.4 : Left

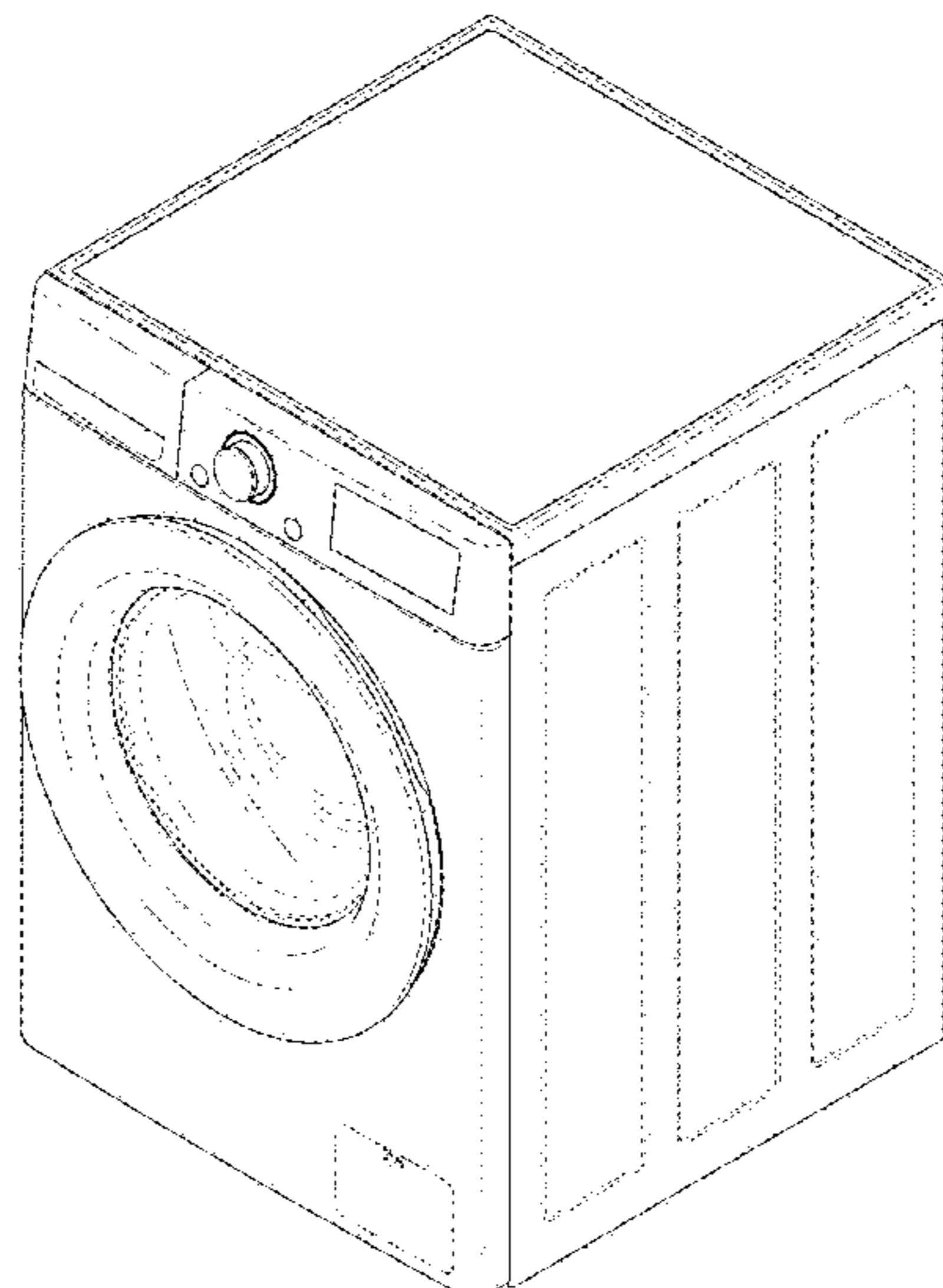
1.5 : Right

1.6 : Top

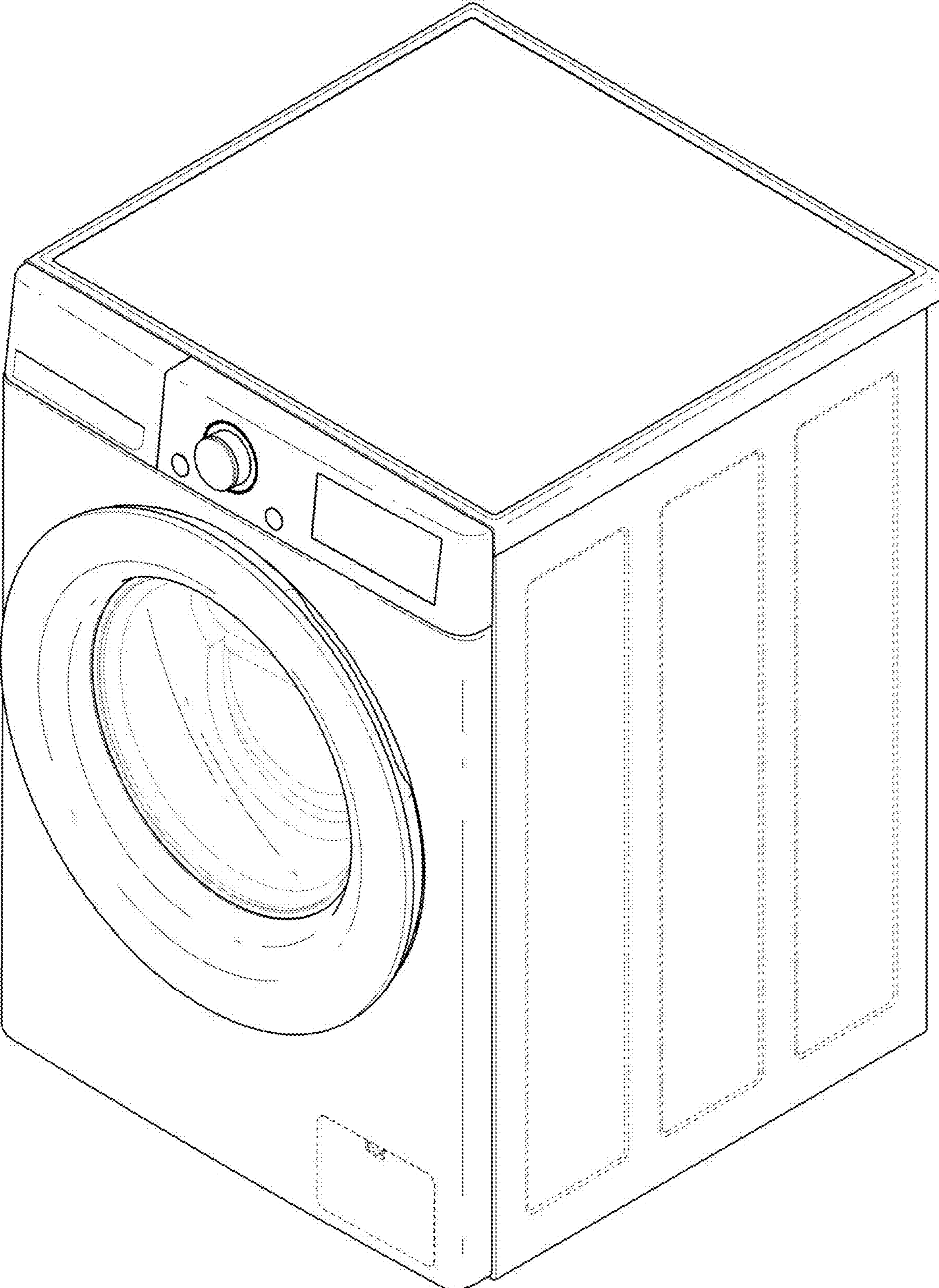
1.7 : Bottom

The broken lines indicate portions of the article that form no part of the claimed design.

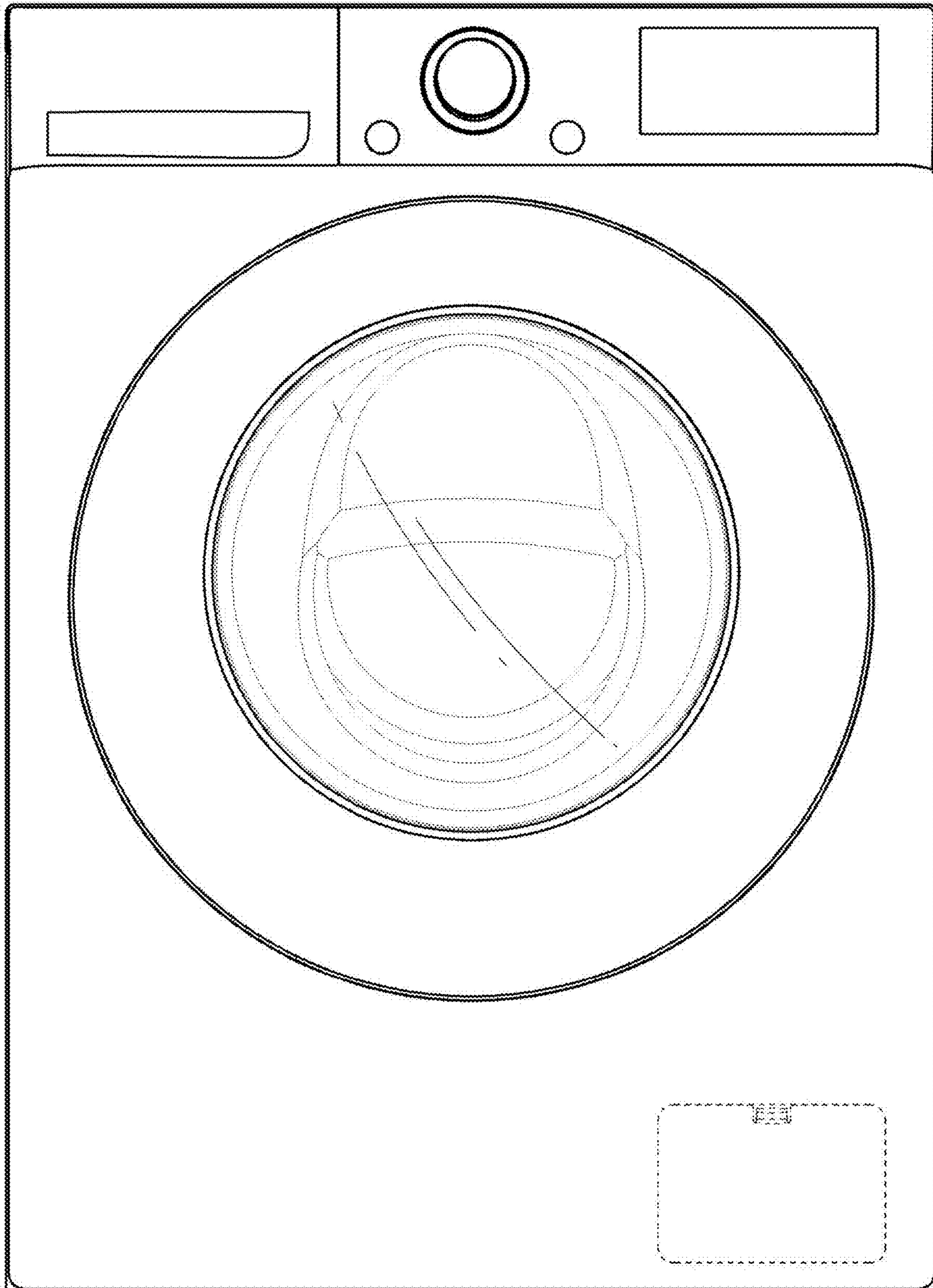
1 Claim, 7 Drawing Sheets



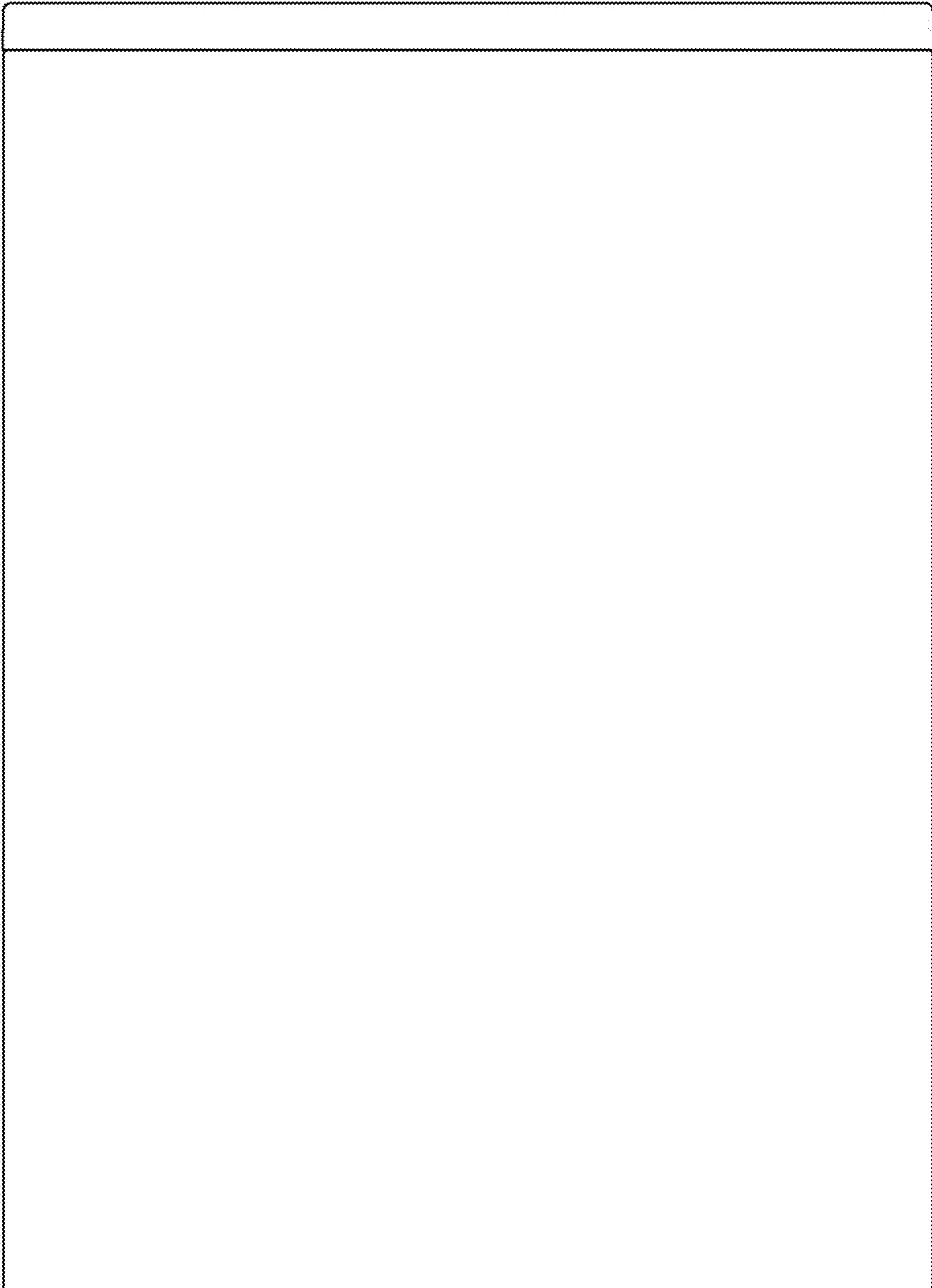
1.1



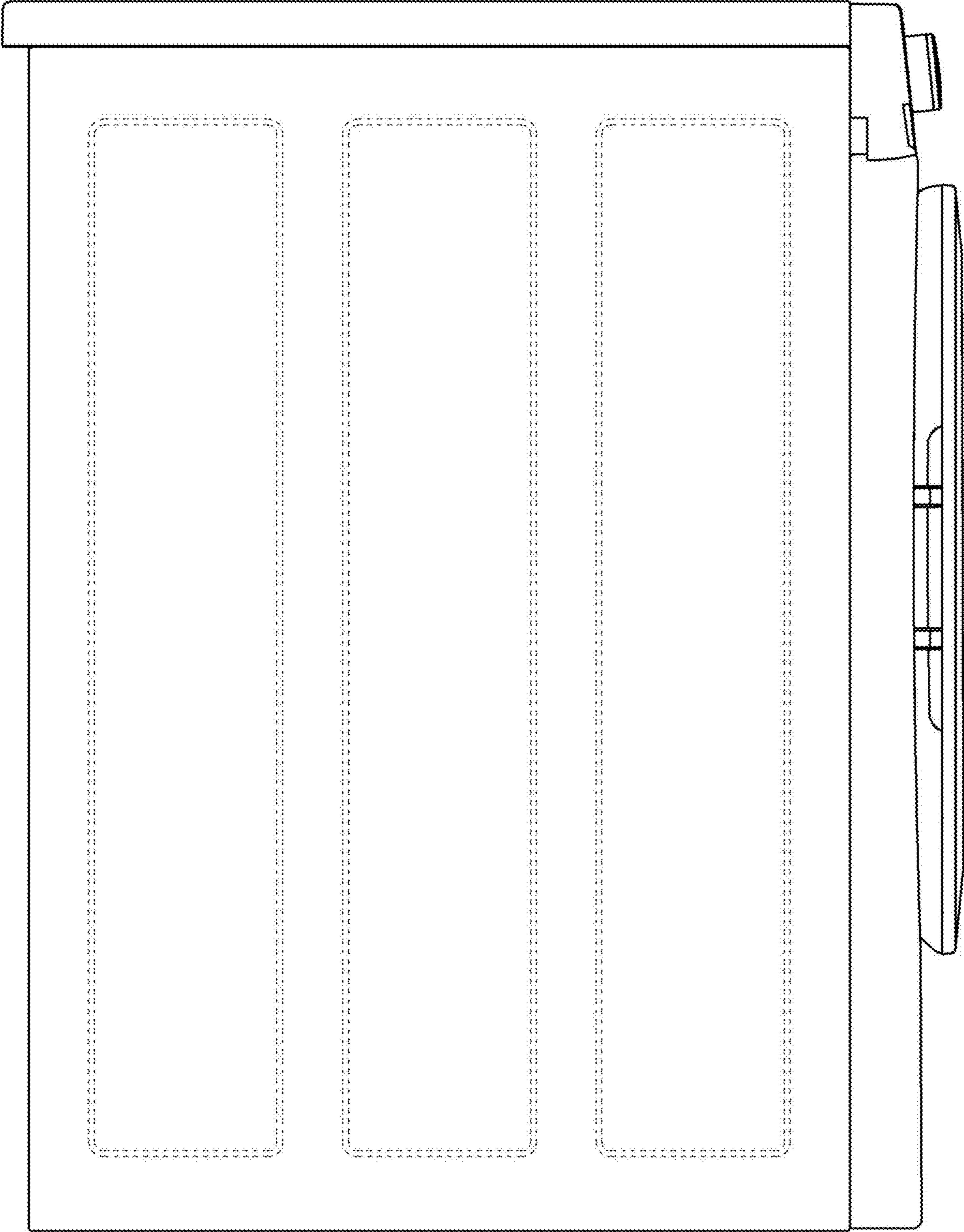
1.2



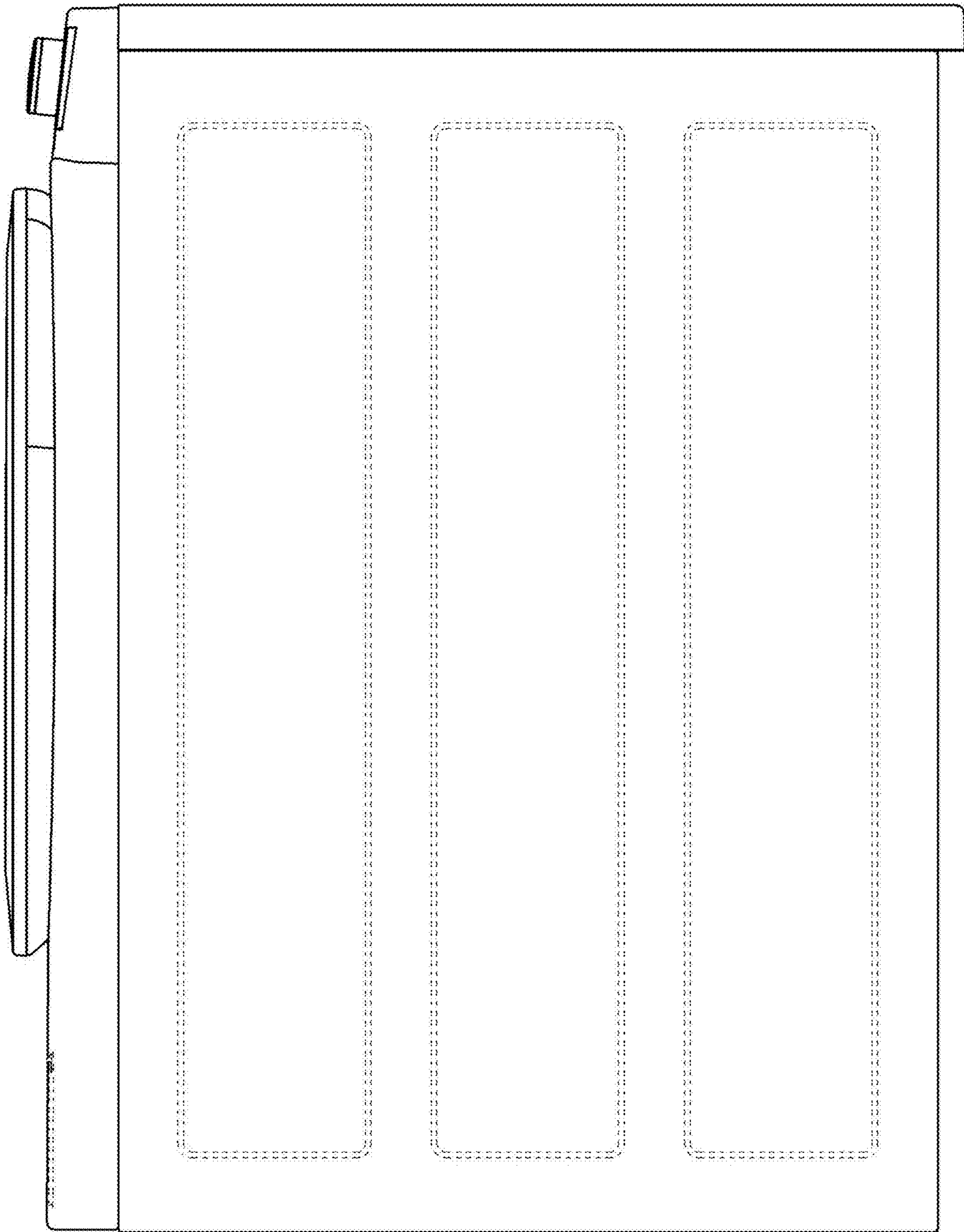
1.3



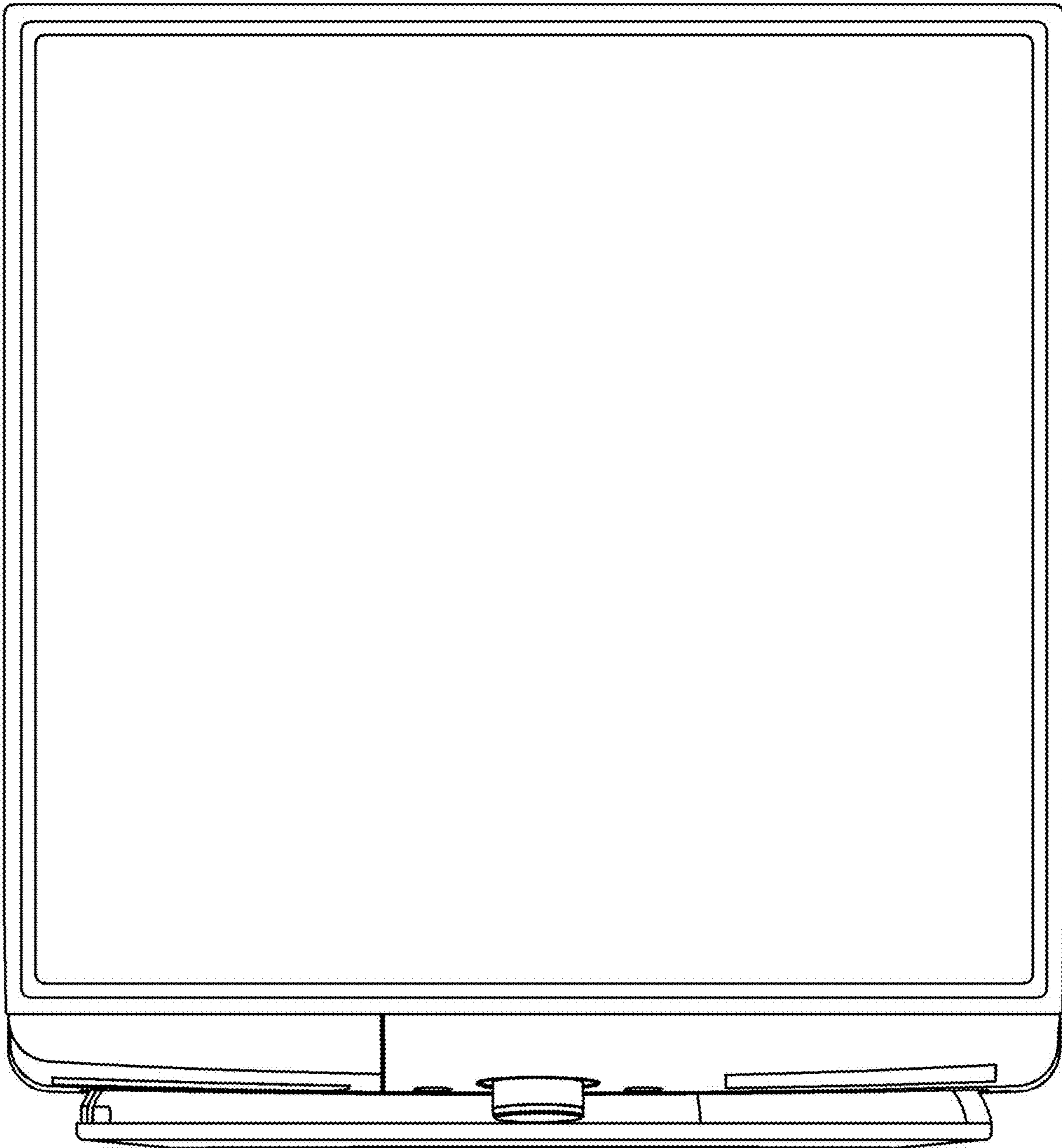
1.4



1.5



1.6



1.7

