



US00D919205S

(12) **United States Design Patent** (10) **Patent No.:** **US D919,205 S**  
**Ha et al.** (45) **Date of Patent:** **\*\* \*May 11, 2021**

(54) **DRUM TYPE WASHING MACHINE**

(56) **References Cited**

(71) Applicant: **LG ELECTRONICS INC.**, Seoul (KR)  
(72) Inventors: **Youngsoo Ha**, Seoul (KR); **Eunyoung Chee**, Seoul (KR); **Wookjun Chung**, Seoul (KR); **Kyungah Lee**, Seoul (KR)  
(73) Assignee: **LG ELECTRONICS INC.**, Seoul (KR)

U.S. PATENT DOCUMENTS

D564,144 S *	3/2008	Kwon	.....	D32/6
D582,106 S *	12/2008	Kim	.....	D32/6
D589,217 S *	3/2009	Park	.....	D32/6
D613,467 S *	4/2010	Park	.....	D32/6
D688,013 S *	8/2013	Kim	.....	D32/6
D688,427 S *	8/2013	Meda	.....	D32/6
D701,009 S *	3/2014	Jinnam	.....	D32/6
D731,126 S *	6/2015	Ha	.....	D32/6
D731,128 S *	6/2015	Ha	.....	D32/6
D732,250 S *	6/2015	Borjesson	.....	D32/6

(Continued)

(\* ) Notice: This patent is subject to a terminal disclaimer.

FOREIGN PATENT DOCUMENTS

(\*\*) Term: **15 Years**

CN 201530246812 \* 7/2015

(21) Appl. No.: **35/507,272**

OTHER PUBLICATIONS

(22) Filed: **Feb. 14, 2019**

Youtube, LG F4J7TN8S 8kg Direct Drive Washing Machine Demonstration & Review, posted Aug. 23, 2017, [online], [visited Jun. 15, 2020]. Internet, <URL: <https://www.youtube.com/watch?v=RiRMpfuWy24>> (Year: 2017).\*

(80) **Hague Agreement Data**

Int. Filing Date: **Feb. 14, 2019**  
Int. Reg. No.: **DM/201151**  
Int. Reg. Date: **Feb. 14, 2019**  
Int. Reg. Pub. Date: **Aug. 16, 2019**

*Primary Examiner* — George D. Kirschbaum  
*Assistant Examiner* — Samantha N Wood  
(74) *Attorney, Agent, or Firm* — Birch, Stewart, Kolasch & Birch, LLP

(30) **Foreign Application Priority Data**

Aug. 24, 2018 (WO) ..... DM/103 510

(57) **CLAIM**

The ornamental design for a drum type washing machine, as shown and described.

(51) **LOC (13) Cl.** ..... **15-05**

(52) **U.S. Cl.**  
USPC ..... **D32/6**

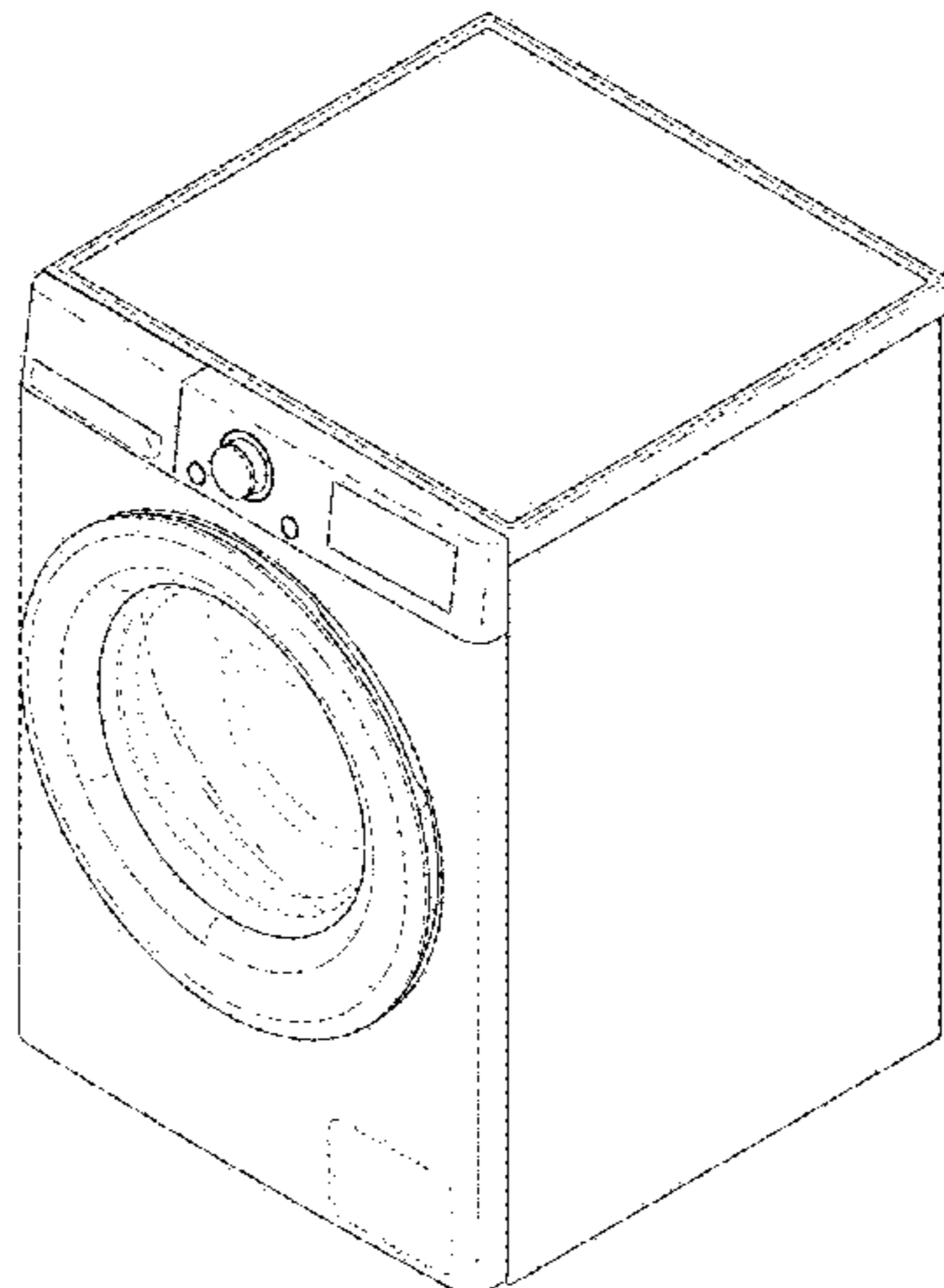
**DESCRIPTION**

(58) **Field of Classification Search**  
USPC ... D32/1, 2, 3, 6, 7, 8, 9, 10, 11, 12, 25, 26, D32/27, 35, 29, 29.1, 28  
CPC ..... D06F 17/00; D06F 17/02; D06F 17/04; D06F 13/00; D06F 13/02; D06F 13/04; D06F 13/06; D06F 13/08; D06F 17/06; D06F 17/08; D06F 17/10; D06F 17/12

1. Drum type washing machine
- 1.1 : Perspective
- 1.2 : Front
- 1.3 : Back
- 1.4 : Left
- 1.5 : Right
- 1.6 : Top
- 1.7 : Bottom

See application file for complete search history.

(Continued)



The broken lines indicate portions of the article that form no part of the claimed design.

**1 Claim, 7 Drawing Sheets**

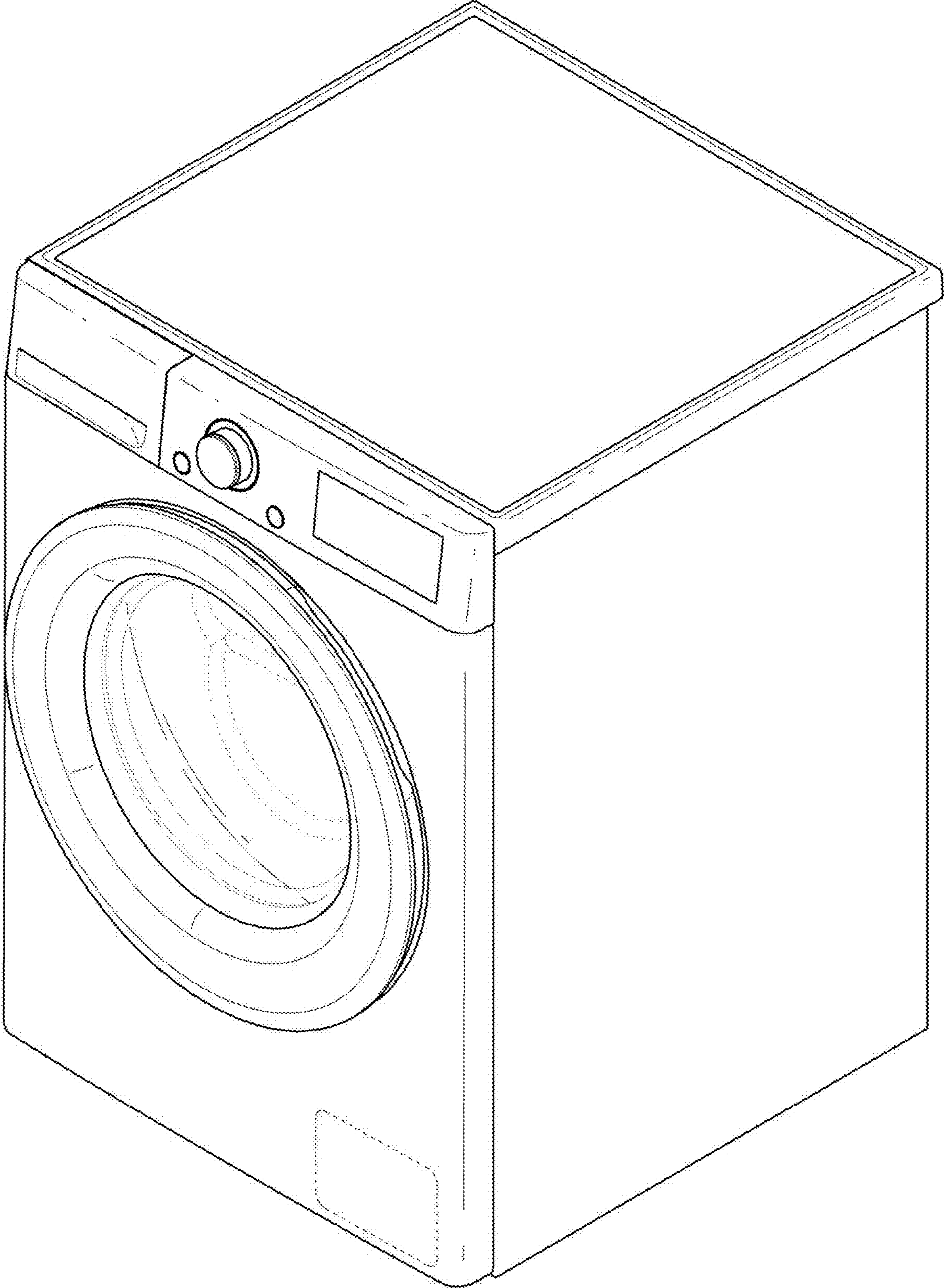
(56) **References Cited**

U.S. PATENT DOCUMENTS

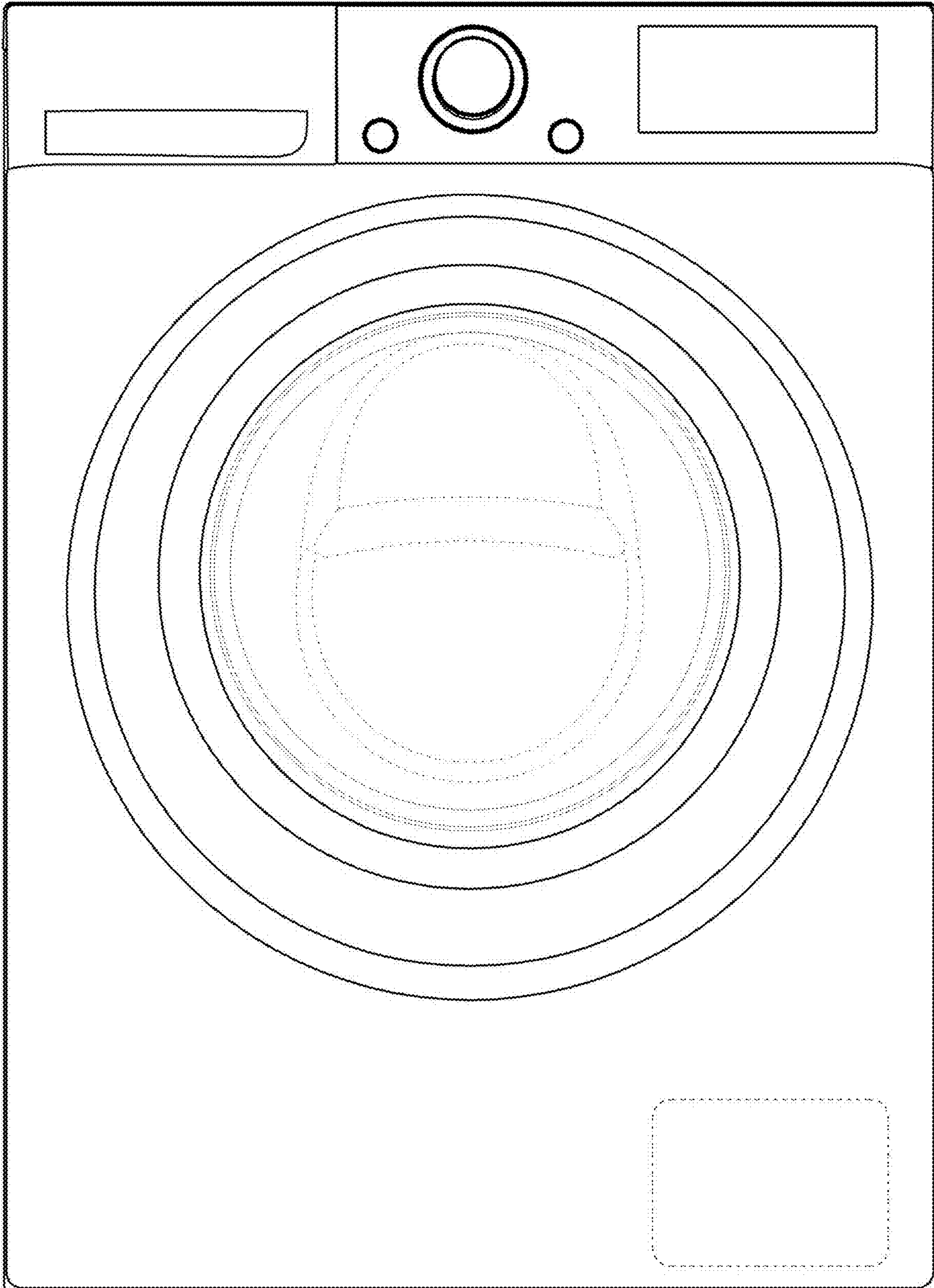
D770,700 S	*	11/2016	Yun .....	D32/6
D770,701 S	*	11/2016	Park .....	D32/6
D791,419 S	*	7/2017	Kim .....	D32/6
D827,228 S	*	8/2018	Ha .....	D32/6
D828,657 S	*	9/2018	Lee .....	D32/6
D835,865 S	*	12/2018	Lee .....	D32/6
D869,792 S	*	12/2019	Lee .....	D32/6

\* cited by examiner

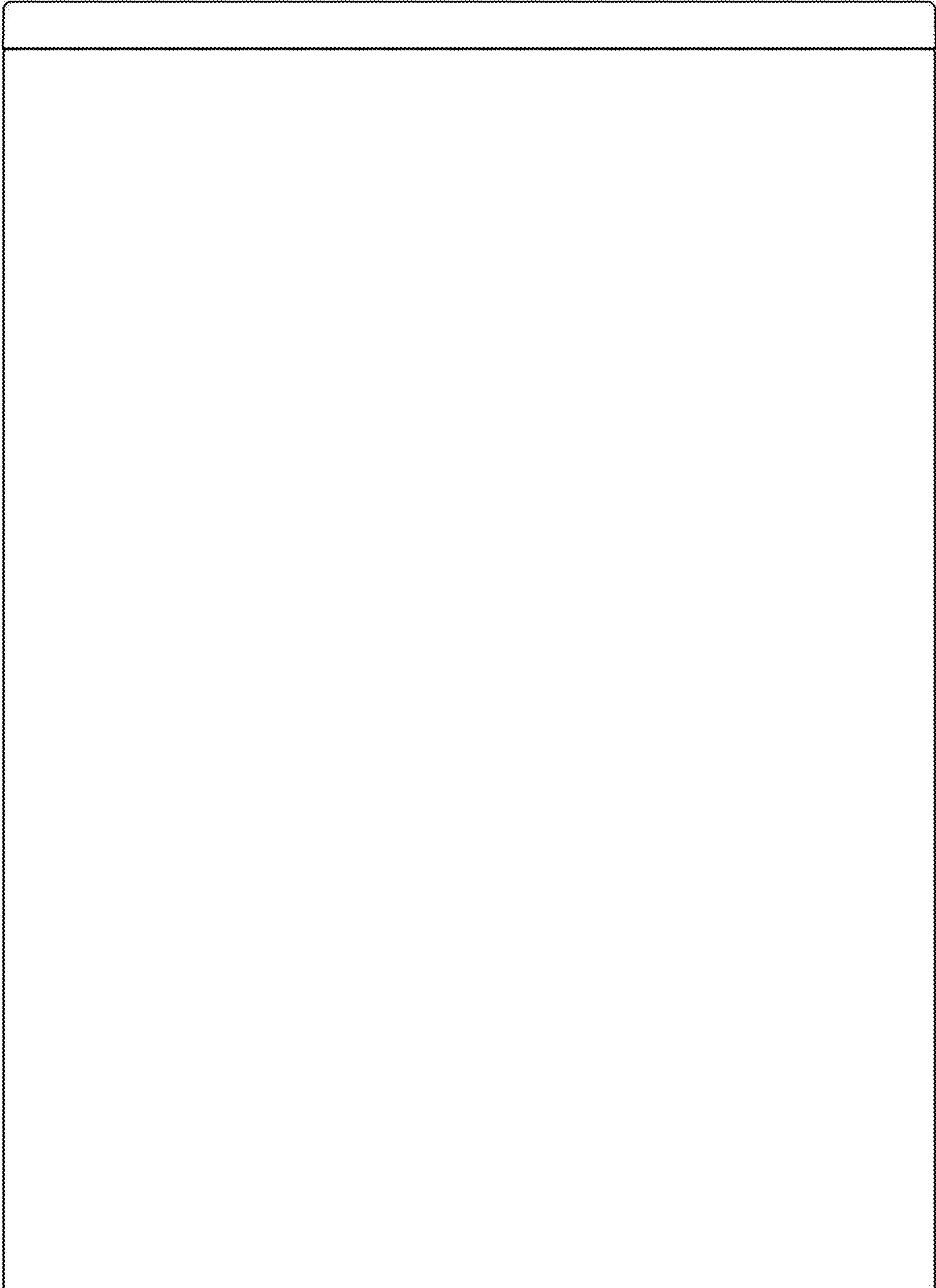
1.1



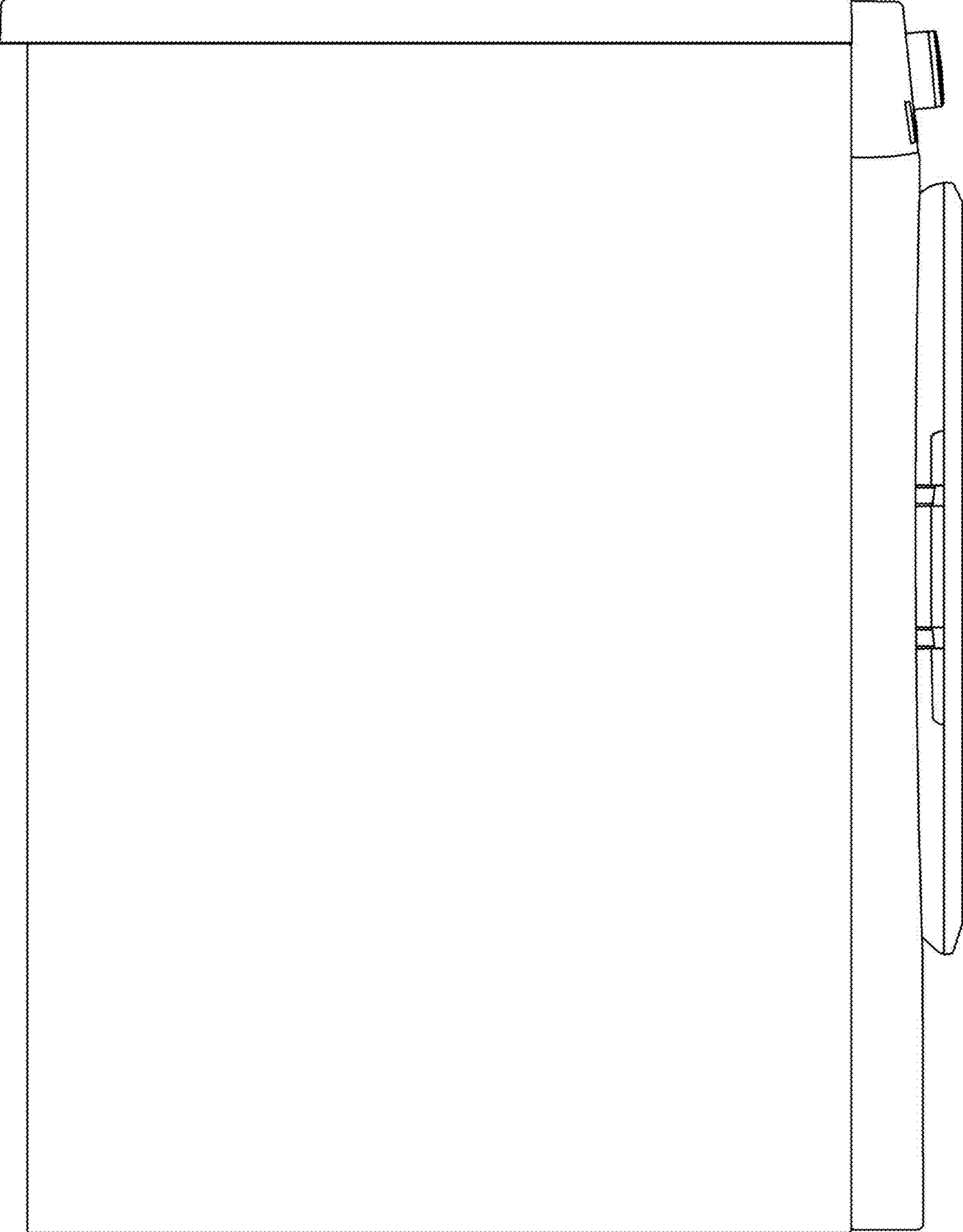
1.2



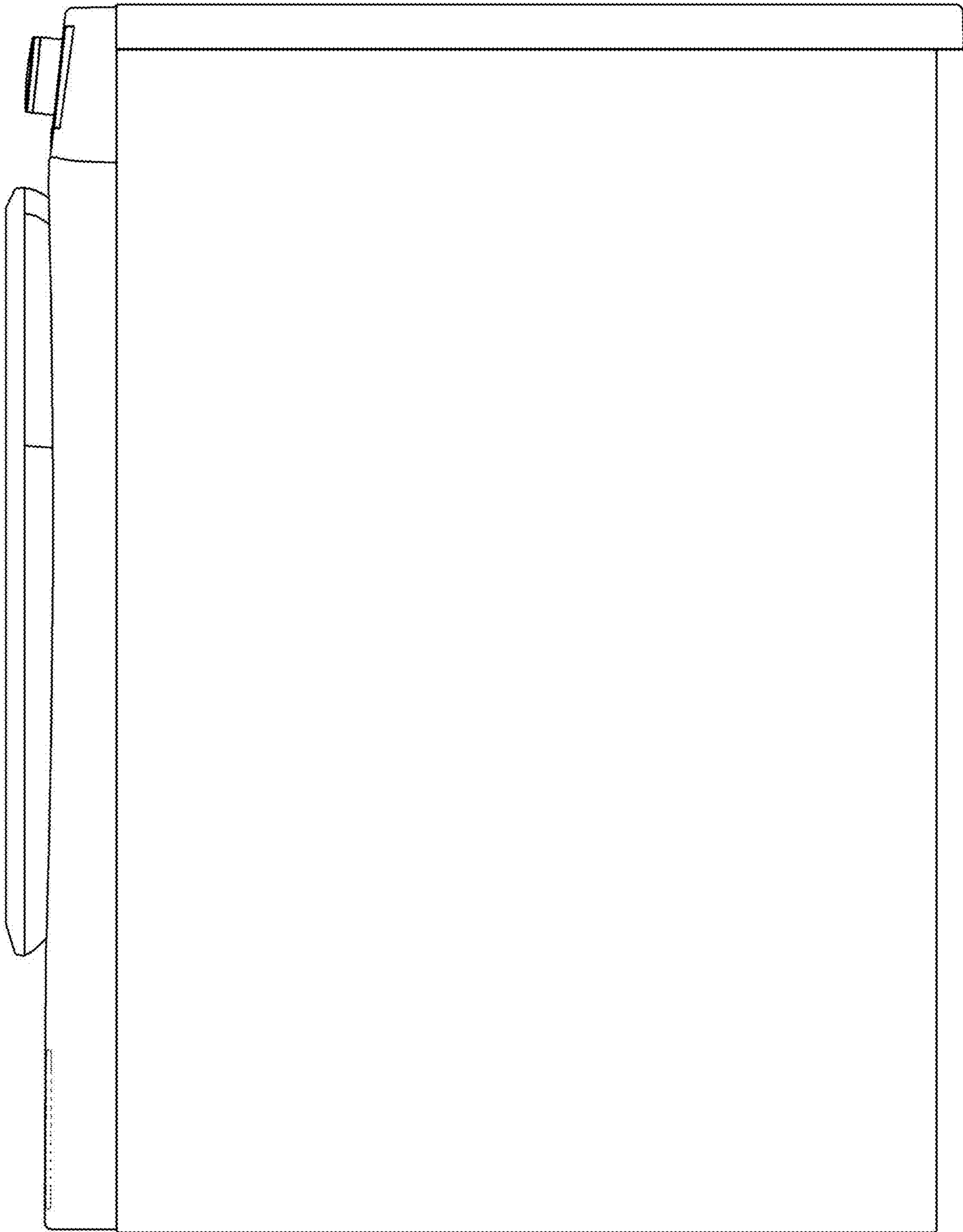
1.3



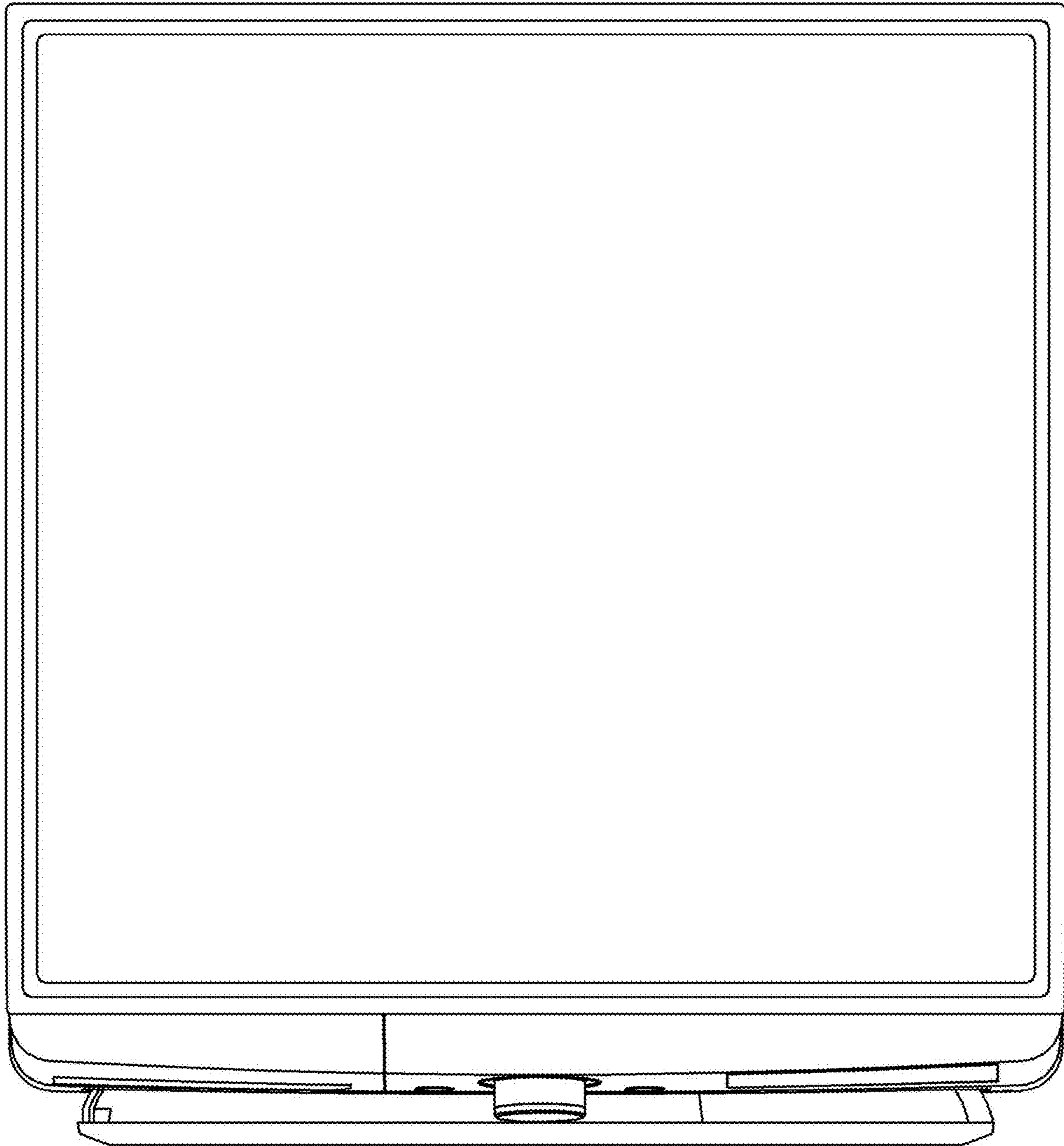
1.4



1.5



1.6





1.7

