



US00D919203S

(12) **United States Design Patent**
Nam et al.

(10) **Patent No.: US D919,203 S**
(45) **Date of Patent: ** May 11, 2021**

(54) **DISHWASHER**

(71) Applicant: **LG ELECTRONICS INC.**, Seoul (KR)

(72) Inventors: **Bohyun Nam**, Seoul (KR); **Wonjun Lee**, Seoul (KR); **Seonil Yu**, Seoul (KR); **Kyutae Park**, Seoul (KR); **Jungkyu Son**, Seoul (KR)

(73) Assignee: **LG ELECTRONICS INC.**, Seoul (KR)

(**) Term: **15 Years**

(21) Appl. No.: **35/508,529**

(22) Filed: **Mar. 13, 2019**

(80) **Hague Agreement Data**

Int. Filing Date: **Mar. 13, 2019**
Int. Reg. No.: **DM/205610**
Int. Reg. Date: **Mar. 13, 2019**
Int. Reg. Pub. Date: **Feb. 7, 2020**

(30) **Foreign Application Priority Data**

Sep. 17, 2018 (KR) 30-2018-0043510

(51) **LOC (13) Cl.** **15-05**

(52) **U.S. Cl.**
USPC **D32/2**

(58) **Field of Classification Search**

USPC D32/2, 3, 25, 28
CPC A47L 15/507; A47L 15/4257; A47L 15/22;
A47L 15/23; A47L 15/4221; A47L
15/4285; A47L 15/4293; A47L 15/486;
A47L 15/502; A47L 15/16; A47L
15/4219; A47L 15/4225; A47L 15/4259;
A47L 15/4261; A47L 13/20; A47L
15/0018; A47L 15/0021; A47L 15/0036;
A47L 15/0047; A47L 15/0089; A47L
15/14; A47L 15/18; A47L 15/4214; A47L
15/4234; A47L 15/4236; A47L 15/4251;

A47L 15/4253; A47L 15/4263; A47L
15/48; A47L 15/483; A47L 15/50; A47L
15/501; A47L 15/504; A47L 15/505;
A47L 2301/00; A47L 2401/04; A47L
2401/06; A47L 2401/20; A47L 2401/24;
A47L 2401/34; A47L 2501/01; A47L
2501/30; A47L 2501/36; A47L 2601/06;
A47L 2601/10; A47L 15/4282; A47L
15/46; A47L 15/488; A47L 15/506; A47L
15/508; A47L 2401/26; A47L 2401/30;
A47L 2501/05; A47L 2501/06; A47L
2501/12;

(Continued)

(56) **References Cited**

U.S. PATENT DOCUMENTS

5,115,822 A * 5/1992 Nichols A47L 15/506
134/135
D424,257 S * 5/2000 Umeda D32/2

(Continued)

Primary Examiner — Khawaja Anwar
(74) *Attorney, Agent, or Firm* — Birch, Stewart, Kolasch
& Birch, LLP

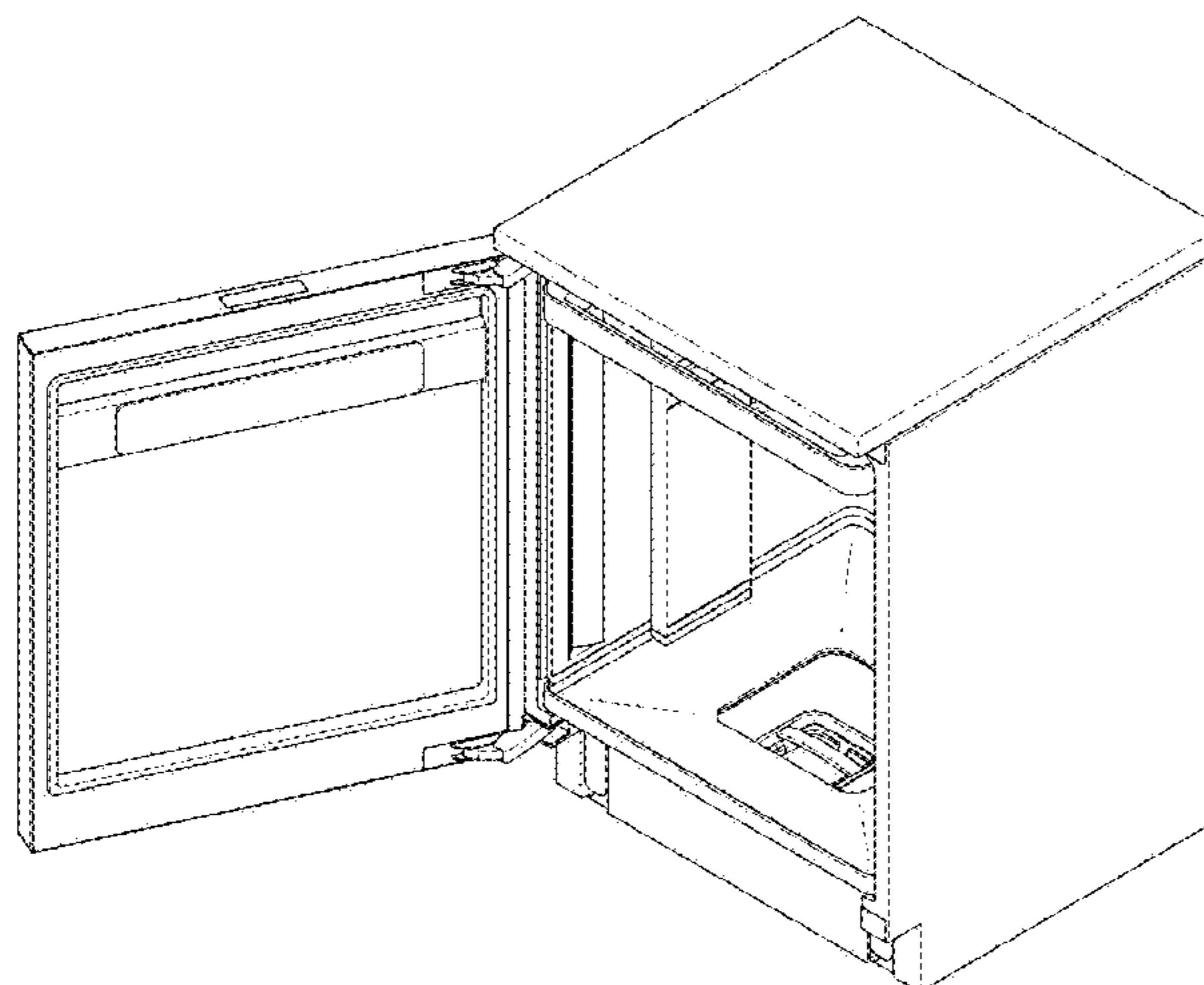
(57) **CLAIM**

The ornamental design for dishwasher, as shown and described.

DESCRIPTION

- 1. Dishwasher
- 1.1 : Perspective
- 1.2 : Front
- 1.3 : Back
- 1.4 : Left
- 1.5 : Right
- 1.6 : Top
- 1.7 : Bottom
- 1.8 : Reference
- 1.9 : Reference

(Continued)



The broken lines indicate unclaimed portion of the article that form no part of the claimed design.

1 Claim, 9 Drawing Sheets

(58) Field of Classification Search

CPC A47L 15/0044; A47L 15/0049; A47L 15/0052; A47L 15/0063; A47L 15/4278; A47L 15/4287; A47L 15/4291; A47L 15/4295; A47L 15/44; A47L 2401/09; A47L 2401/12; A47L 2401/14; A47L 2401/18; A47L 2401/19; A47L 2501/02; A47L 2501/03; A47L 2501/07; A47L 2501/10; A47L 2501/26

See application file for complete search history.

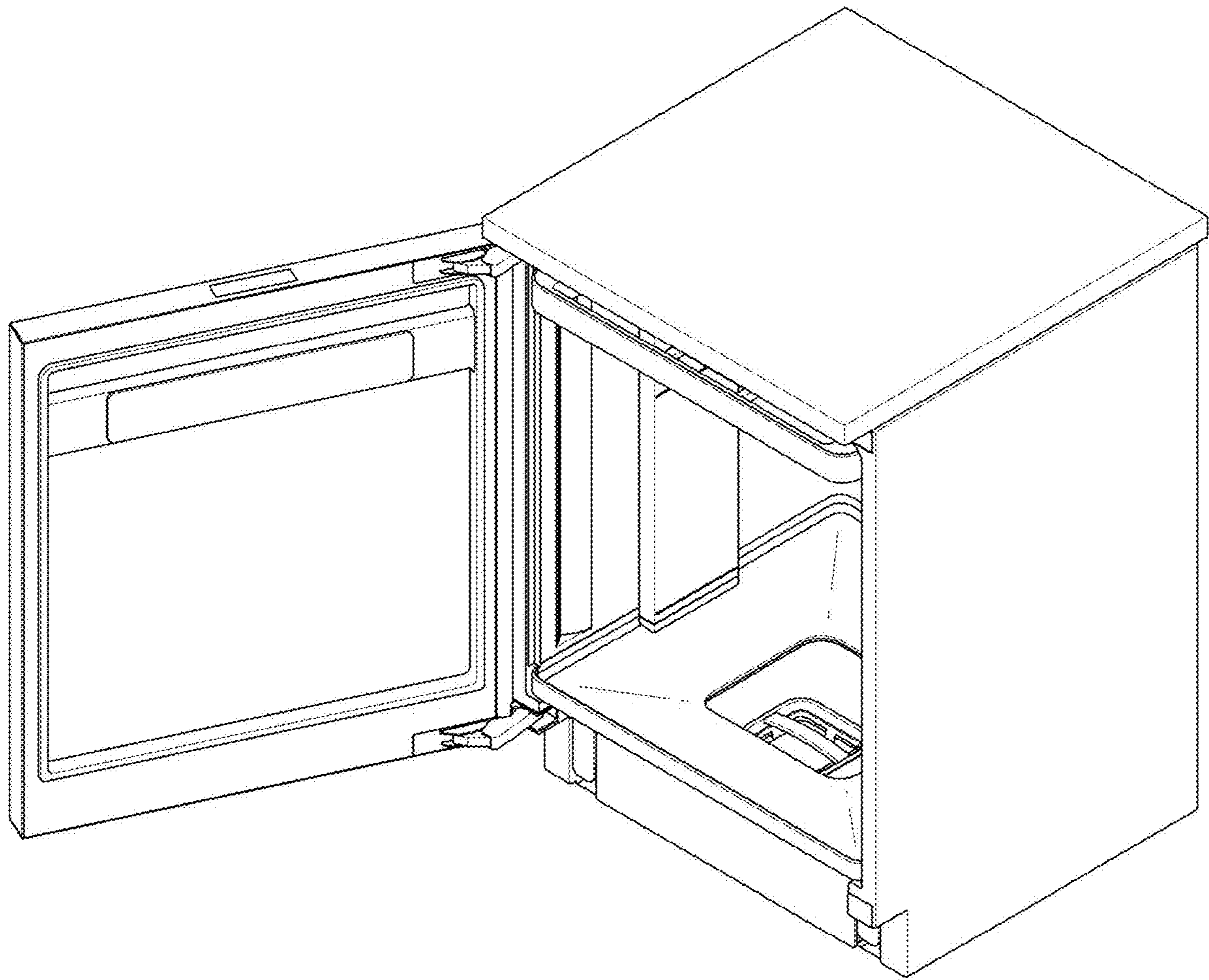
(56) References Cited

U.S. PATENT DOCUMENTS

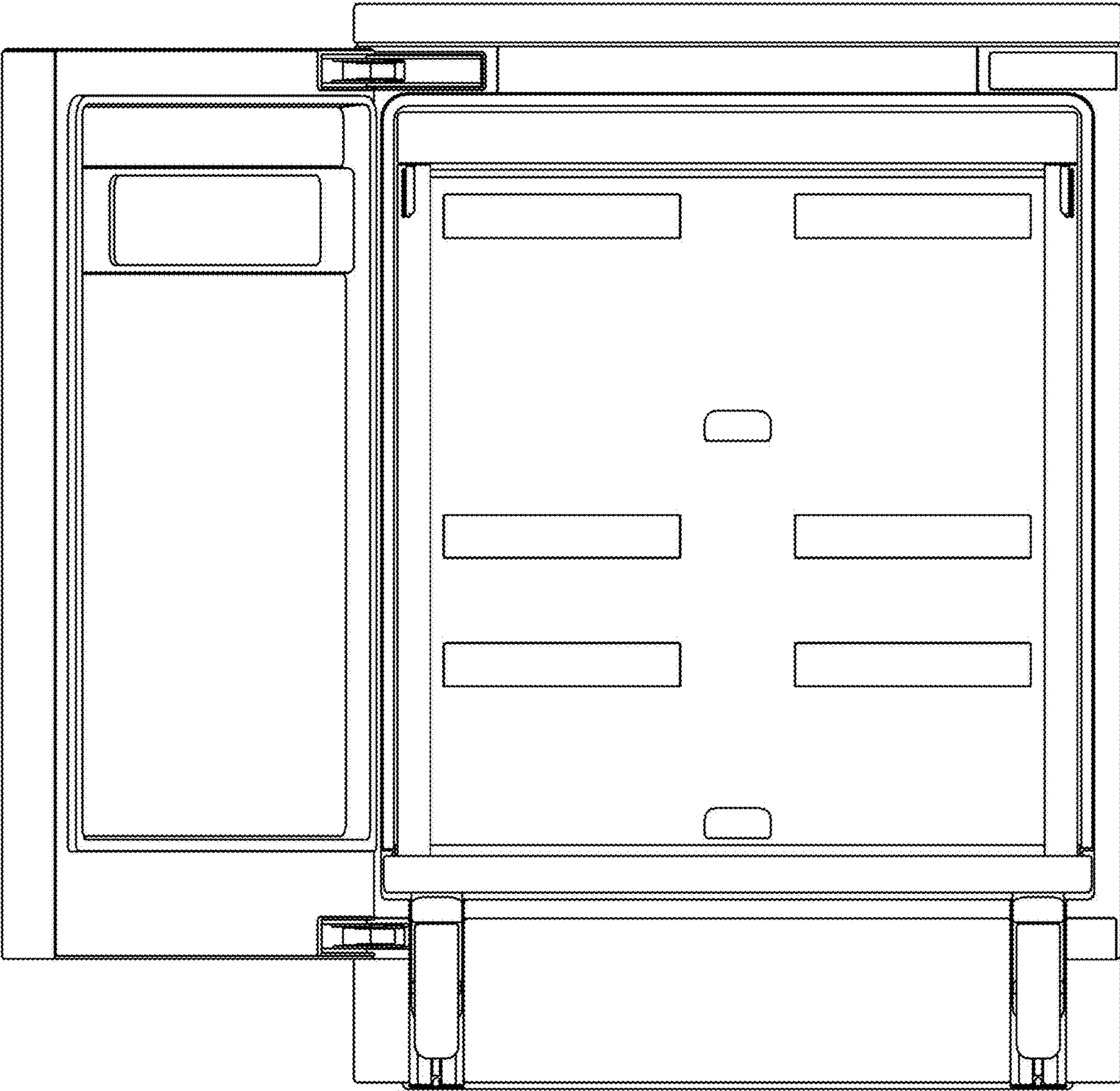
9,895,046 B1 * 2/2018 Wilson A47L 15/506
10,376,131 B2 * 8/2019 Gerstner A47L 15/506
D904,703 S * 12/2020 Callahan D32/2
D907,867 S * 1/2021 Nam D32/2

* cited by examiner

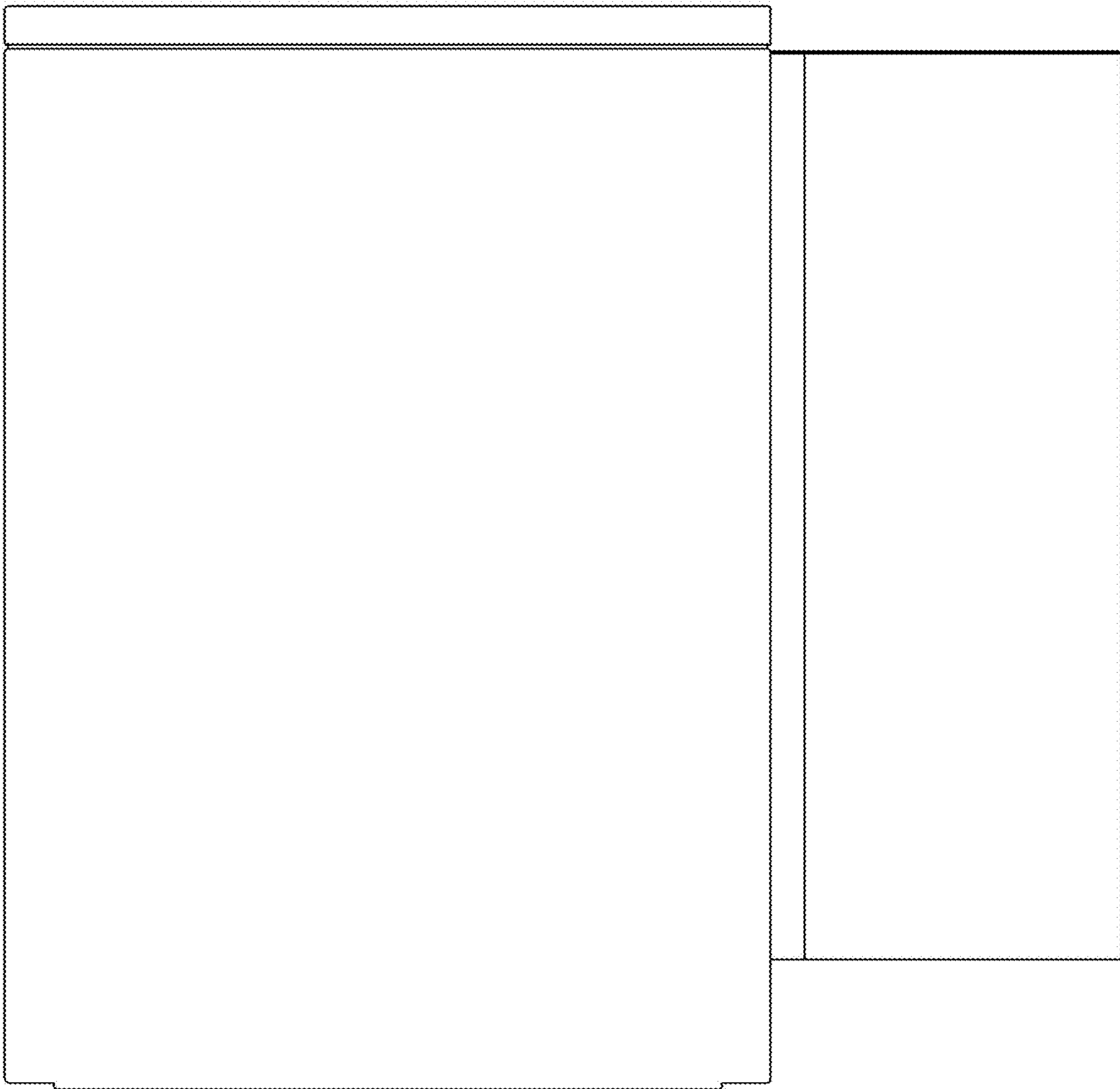
1.1



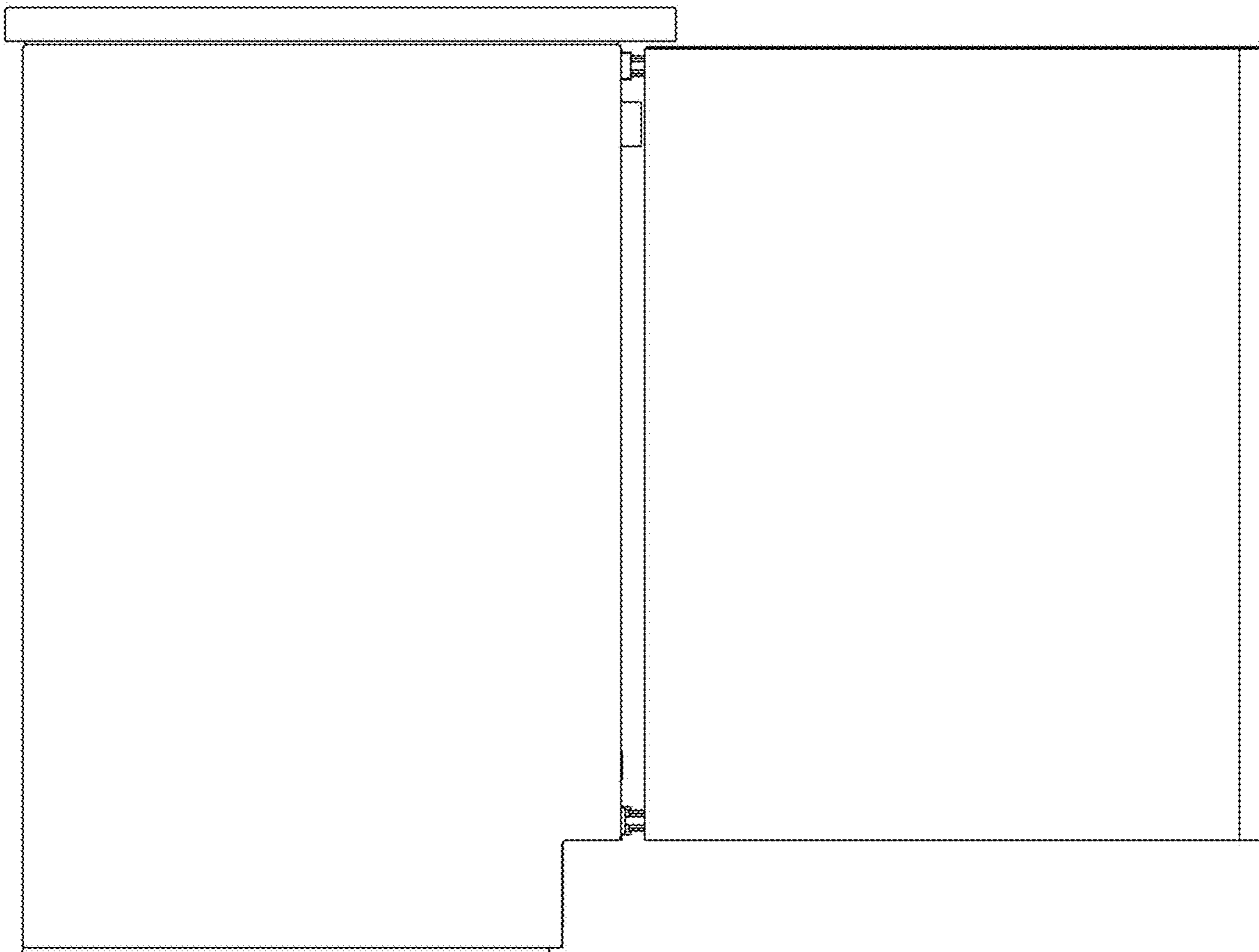
1.2



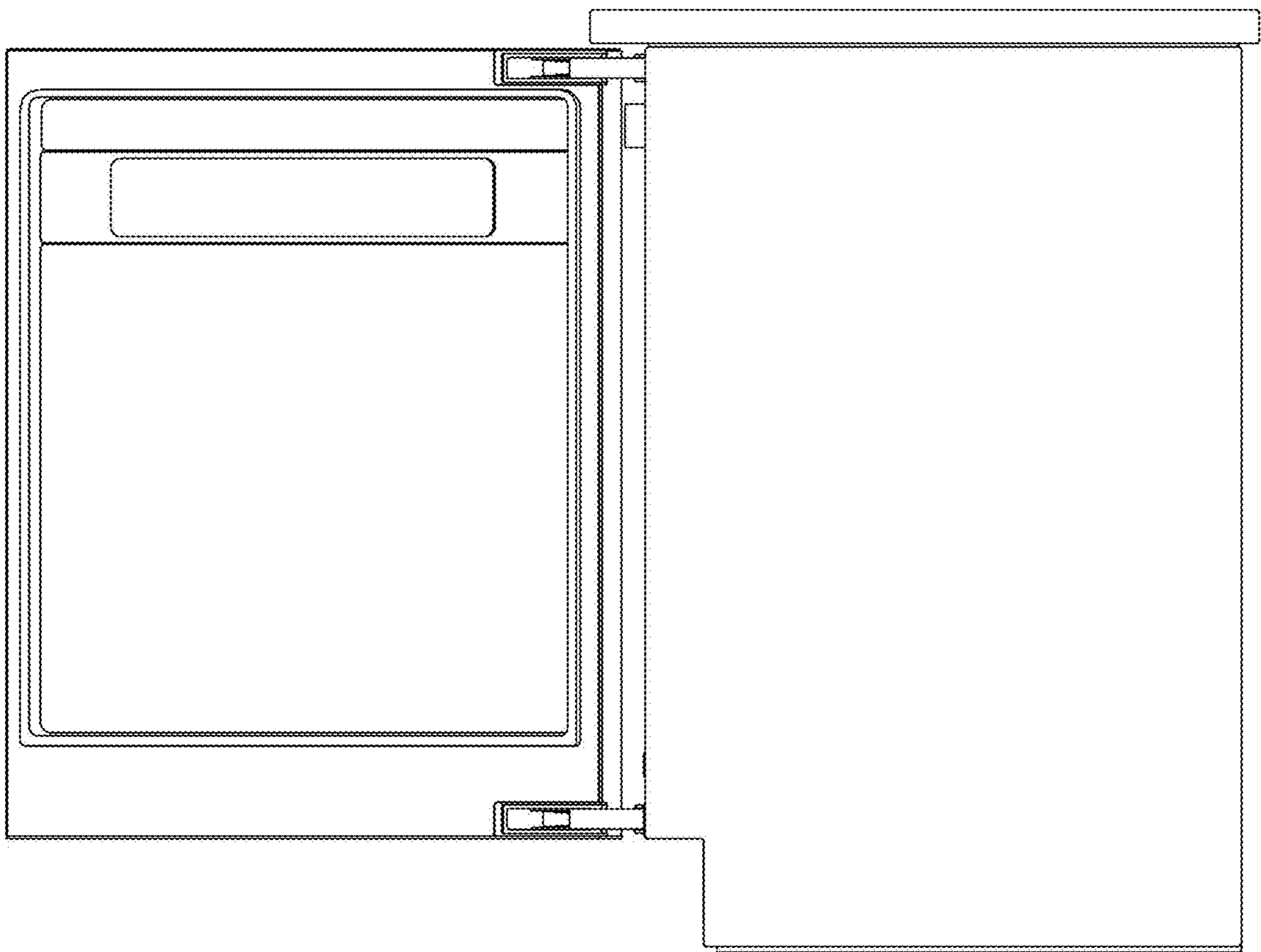
1.3



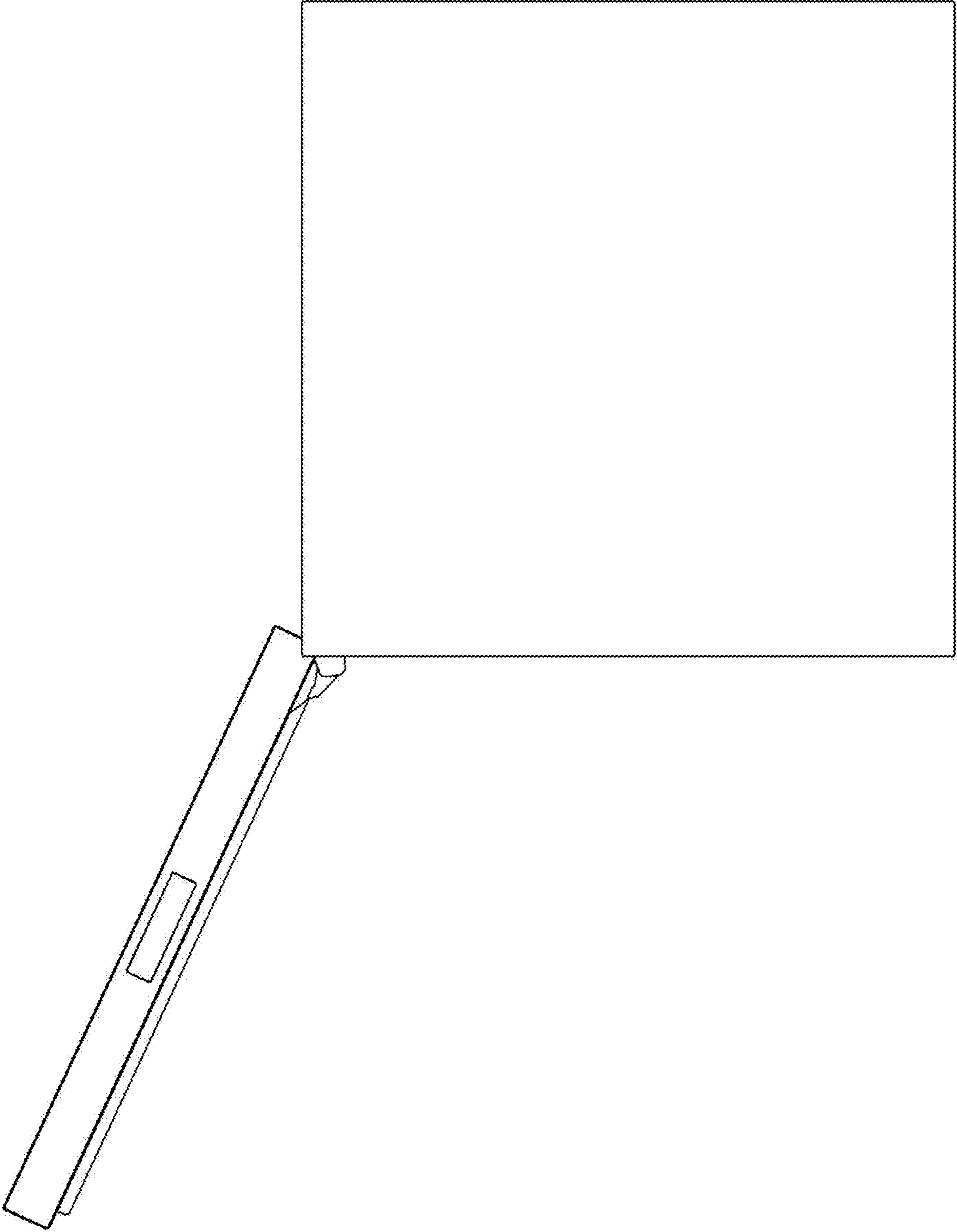
1.4



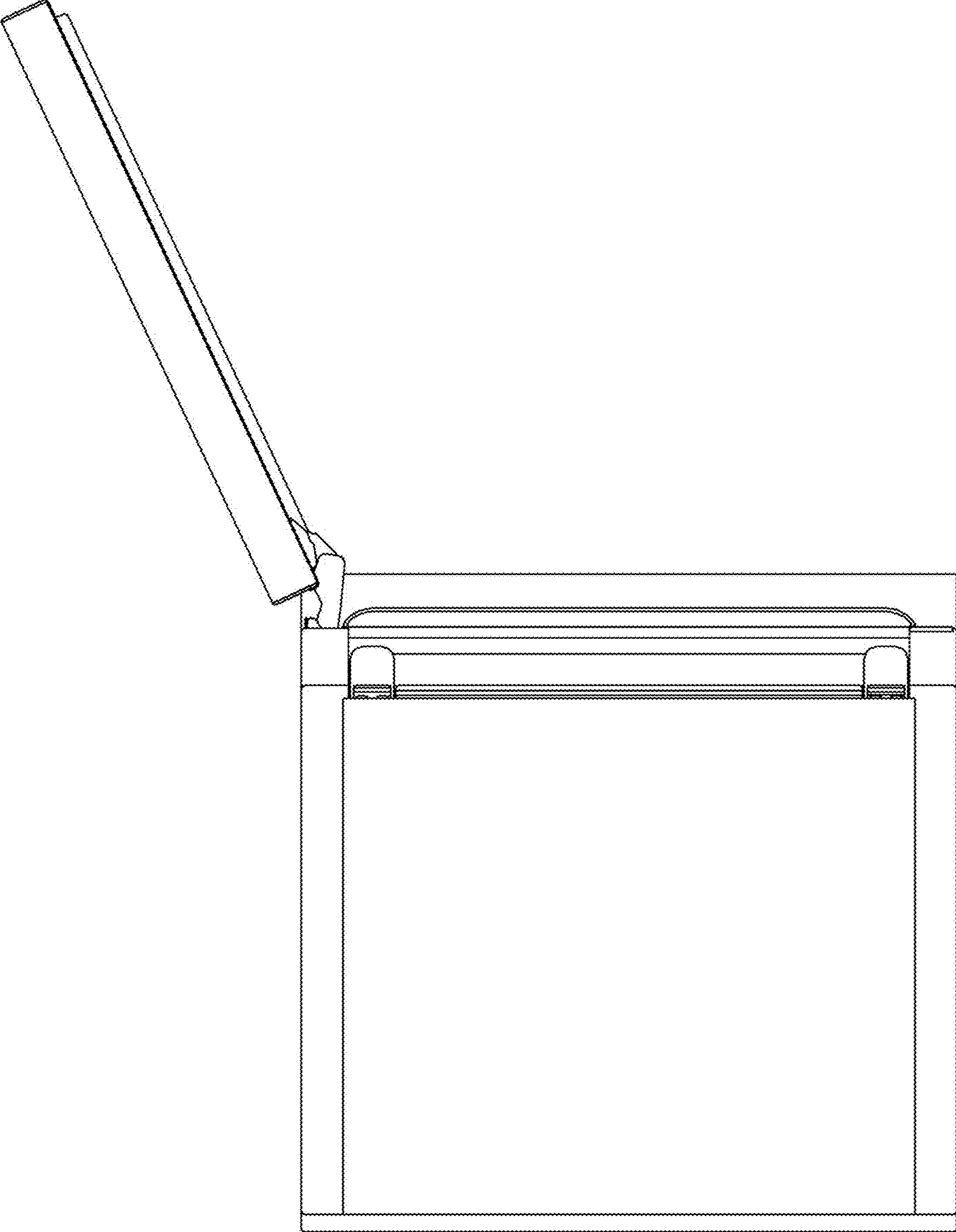
1.5



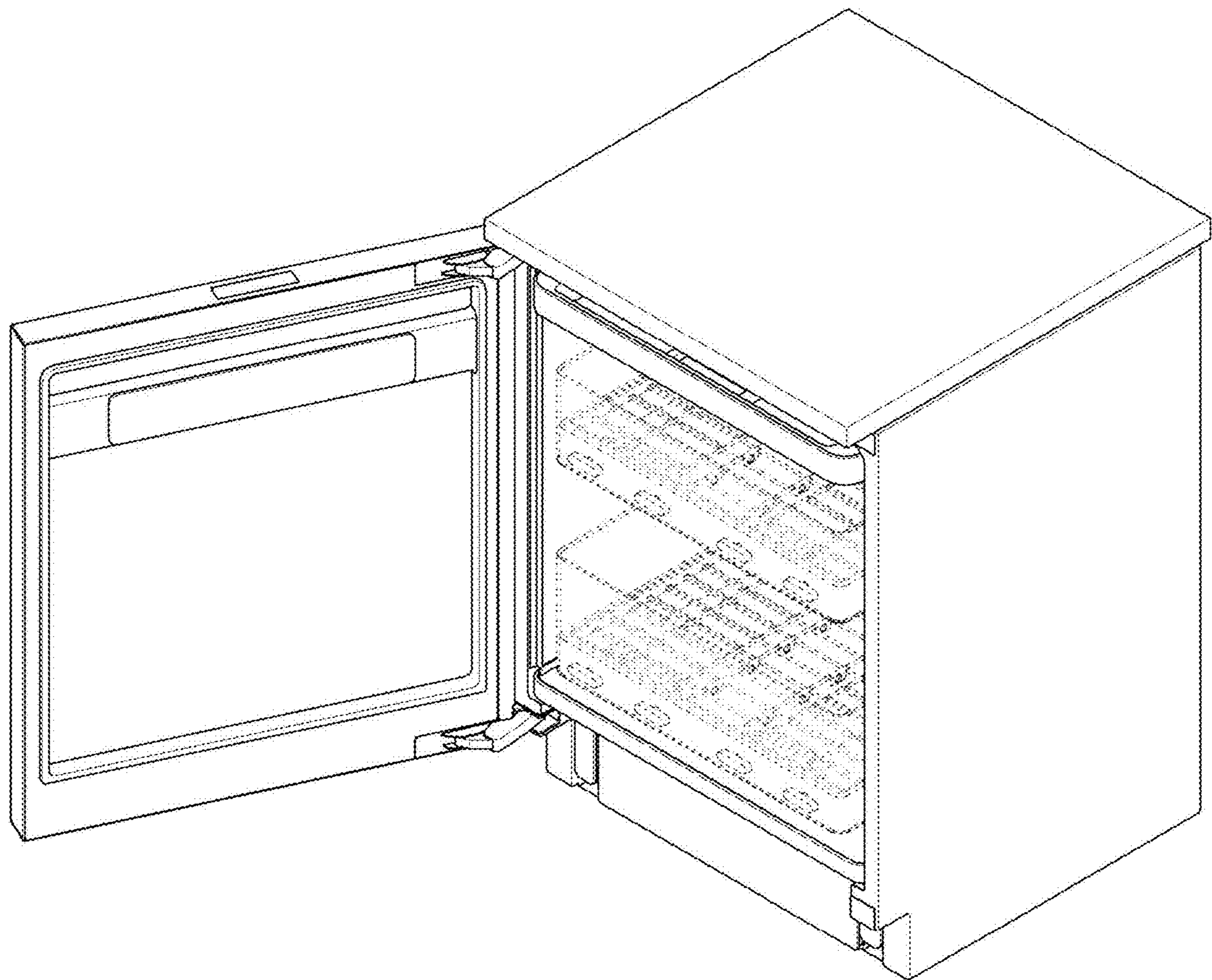
1.6



1.7



1.8



1.9

