



US00D919202S

(12) **United States Design Patent** (10) **Patent No.:** **US D919,202 S**
Nam et al. (45) **Date of Patent:** **** May 11, 2021**

(54) **DISHWASHER**

FOREIGN PATENT DOCUMENTS

(71) Applicant: **LG ELECTRONICS INC.**, Seoul (KR)

CN 201830127744 * 4/2018
CN 201830442172 * 8/2018

(72) Inventors: **Bohyun Nam**, Seoul (KR); **Kyutae Park**, Seoul (KR); **Wonjun Lee**, Seoul (KR); **Seonil Yu**, Seoul (KR); **Jungkyu Son**, Seoul (KR)

OTHER PUBLICATIONS

Turbosquid, LG Dishwasher, posted Feb. 12, 2014, [online], [visited Sep. 9, 2020]. Internet, <URL: <https://www.turbosquid.com/3d-models/3d-model-lg-dishwasher/800013>> (Year: 2014).*

(73) Assignee: **LG ELECTRONICS INC.**, Seoul (KR)

(Continued)

(**) Term: **15 Years**

Primary Examiner — George D. Kirschbaum

Assistant Examiner — Samantha N Wood

(21) Appl. No.: **35/507,769**

(74) *Attorney, Agent, or Firm* — Birch, Stewart, Kolasch & Birch LLP

(22) Filed: **Mar. 13, 2019**

(57) **CLAIM**

(80) **Hague Agreement Data**

The ornamental design for a dishwasher, as shown and described.

Int. Filing Date: **Mar. 13, 2019**

Int. Reg. No.: **DM/203999**

Int. Reg. Date: **Mar. 13, 2019**

Int. Reg. Pub. Date: **Nov. 15, 2019**

DESCRIPTION

(30) **Foreign Application Priority Data**

Sep. 17, 2018 (KR) 30-2018-0043511

(51) **LOC (13) Cl.** **15-05**

(52) **U.S. Cl.**
USPC **D32/2**

(58) **Field of Classification Search**
USPC D32/2, 1, 3, 25, 28, 29, 6, 8, 10

(Continued)

(56) **References Cited**

U.S. PATENT DOCUMENTS

4,608,780 A * 9/1986 Van Noy A47L 15/4263
49/400

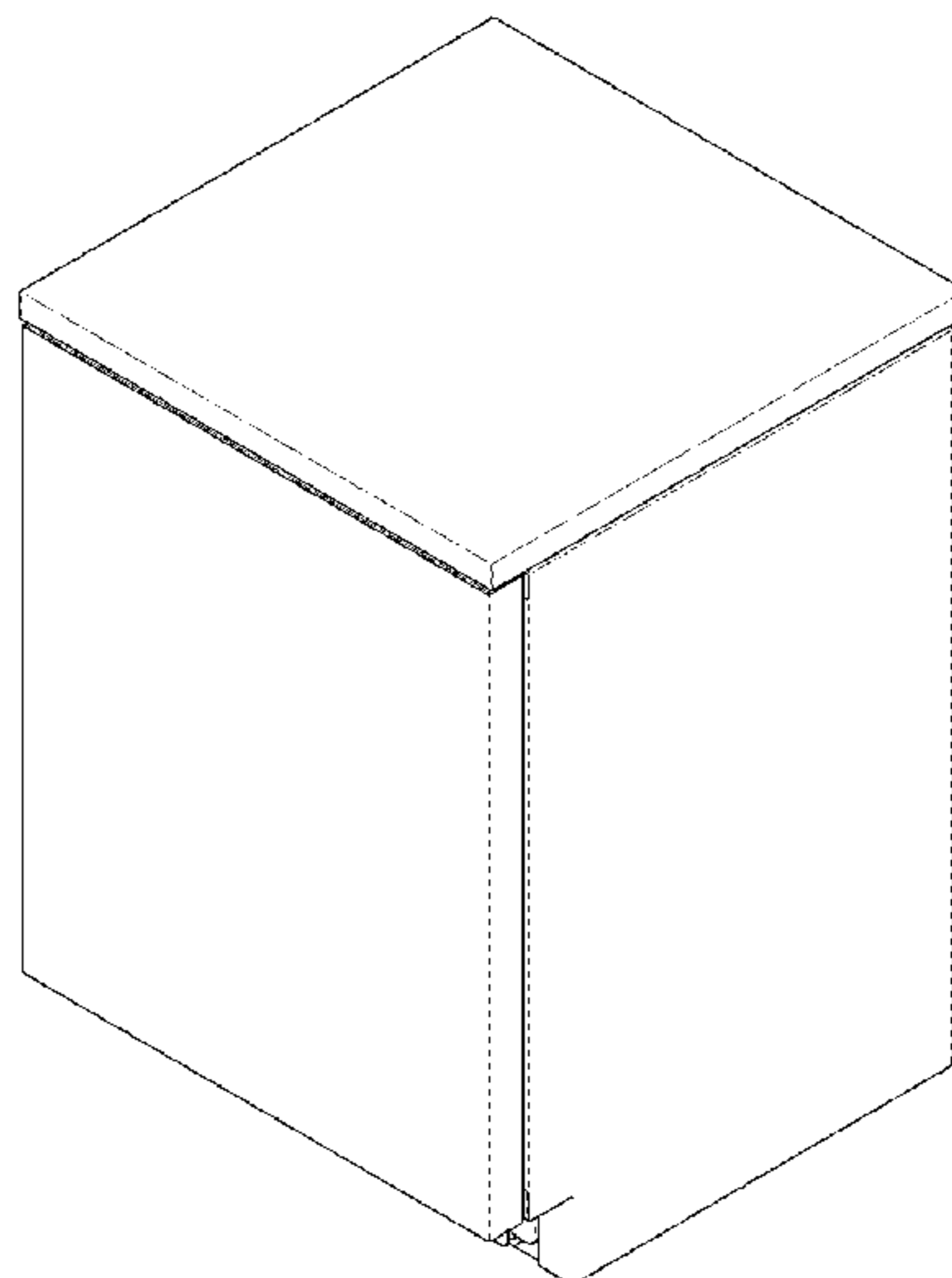
5,429,679 A * 7/1995 Young, Jr. A47L 15/0002
134/10

(Continued)

- 1. Dishwasher
- 1.1 : Perspective
- 1.2 : Front
- 1.3 : Back
- 1.4 : Left
- 1.5 : Right
- 1.6 : Top
- 1.7 : Bottom
- 1.8 : Perspective
- 1.9 : Front
- 1.10 : Back
- 1.11 : Left
- 1.12 : Right
- 1.13 : Top
- 1.14 : Bottom

The broken line showing in the figures is for the purpose of illustrating portions of the dishwasher and forms no part of the claimed design.

1 Claim, 14 Drawing Sheets



(58) **Field of Classification Search**

CPC .. A47L 15/00; A47L 15/0002; A47L 15/0007;
A47L 15/02; A47L 15/4257; A47L
15/4259; A47L 15/4261; A47L 15/4263;
A47L 15/4265; A47L 15/04; A47L 15/06;
A47L 15/14

See application file for complete search history.

8,317,936 B2 * 11/2012 Woo A47L 15/0002
134/56 D
D675,792 S * 2/2013 Eng D32/3
D748,875 S * 2/2016 Roberson D32/3
9,759,476 B2 * 9/2017 Bazzucchi F25D 23/068
10,017,894 B2 * 7/2018 Strahle D06F 34/28
D827,225 S * 8/2018 Lee D32/3
D876,497 S * 2/2020 Yu D15/89

(56) **References Cited**

U.S. PATENT DOCUMENTS

D540,497 S * 4/2007 Song D32/2
D543,321 S * 5/2007 Jeon D32/2
D580,603 S * 11/2008 Busalt D32/3
8,104,628 B2 * 1/2012 Kim A47L 15/503
211/41.8
D661,437 S * 6/2012 Kim D32/2

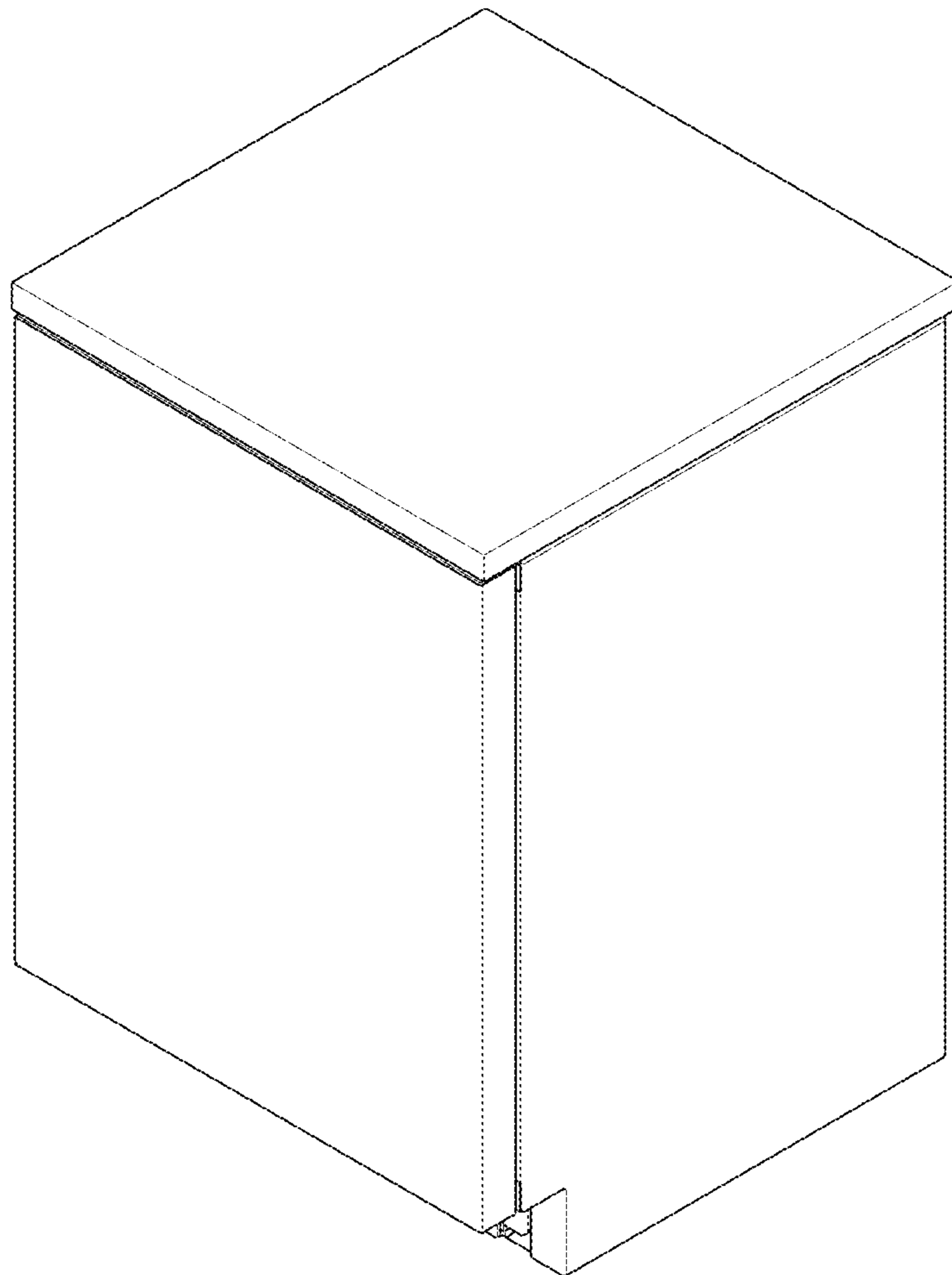
OTHER PUBLICATIONS

Youtube, LG QuadWash—Hands on Review, posted Oct. 19, 2017,
[online], [visited Sep. 9, 2020]. Internet, <URL: <https://www.youtube.com/watch?v=H-MvwSyna5w>> (Year: 2017).*

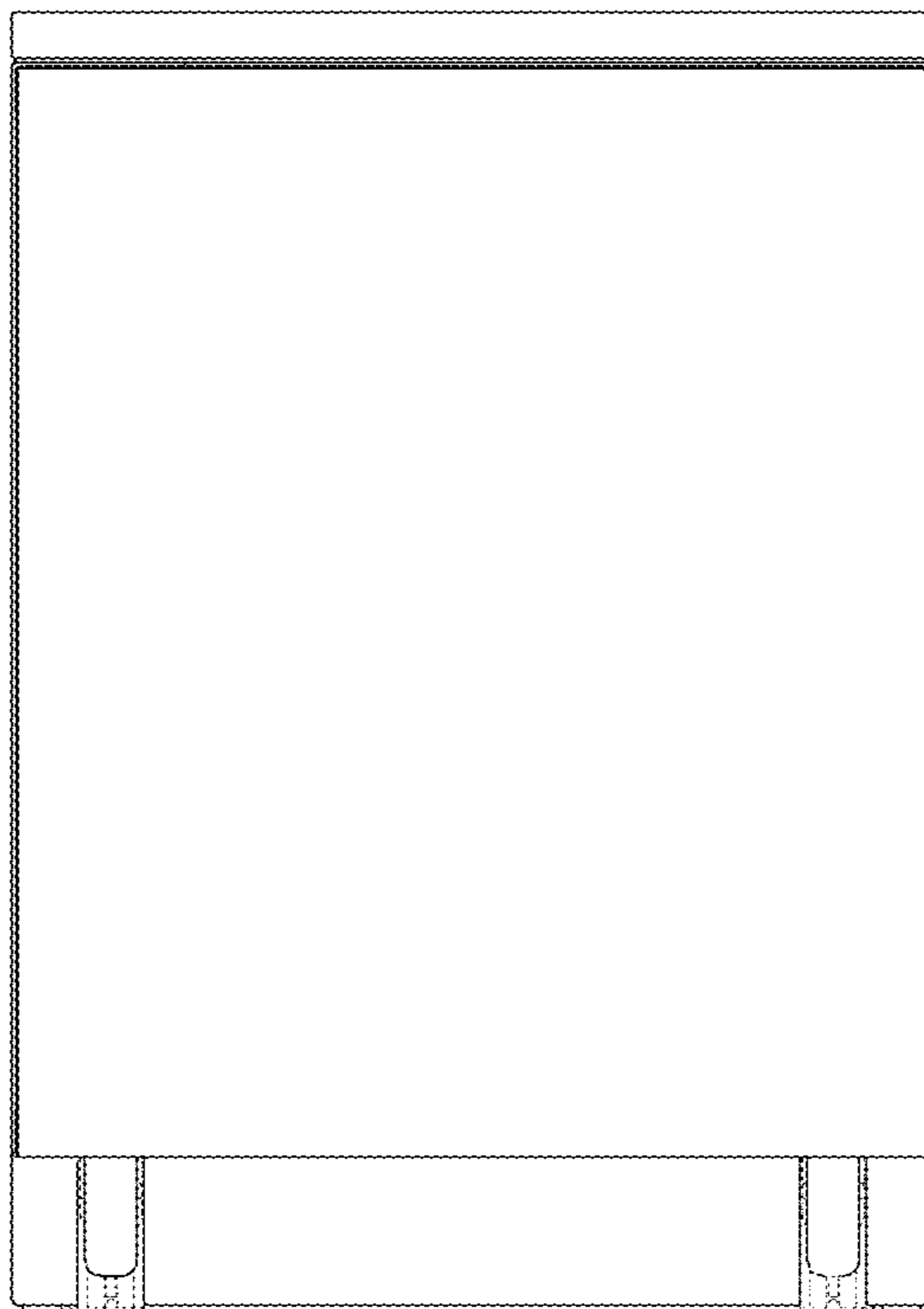
Architonic, Dishwashers 400 series by Gaggenau, launched 2015,
[online], [visited Sep. 10, 2020]. Internet, <URL: <https://www.architonic.com/en/product/gaggenau-dishwashers-400-series-df-481-df-480/1316440>> (Year: 2015).*

* cited by examiner

1.1



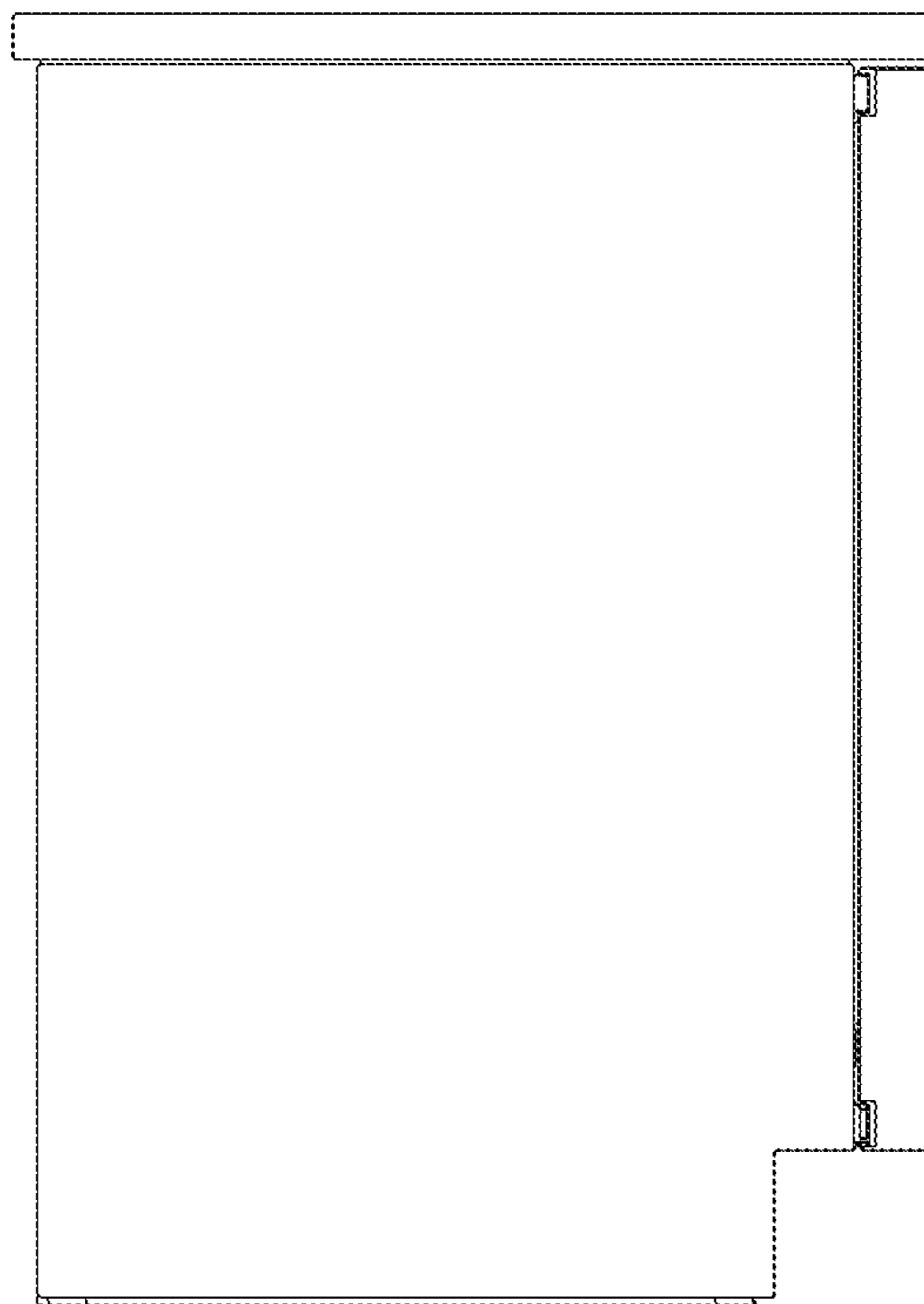
1.2



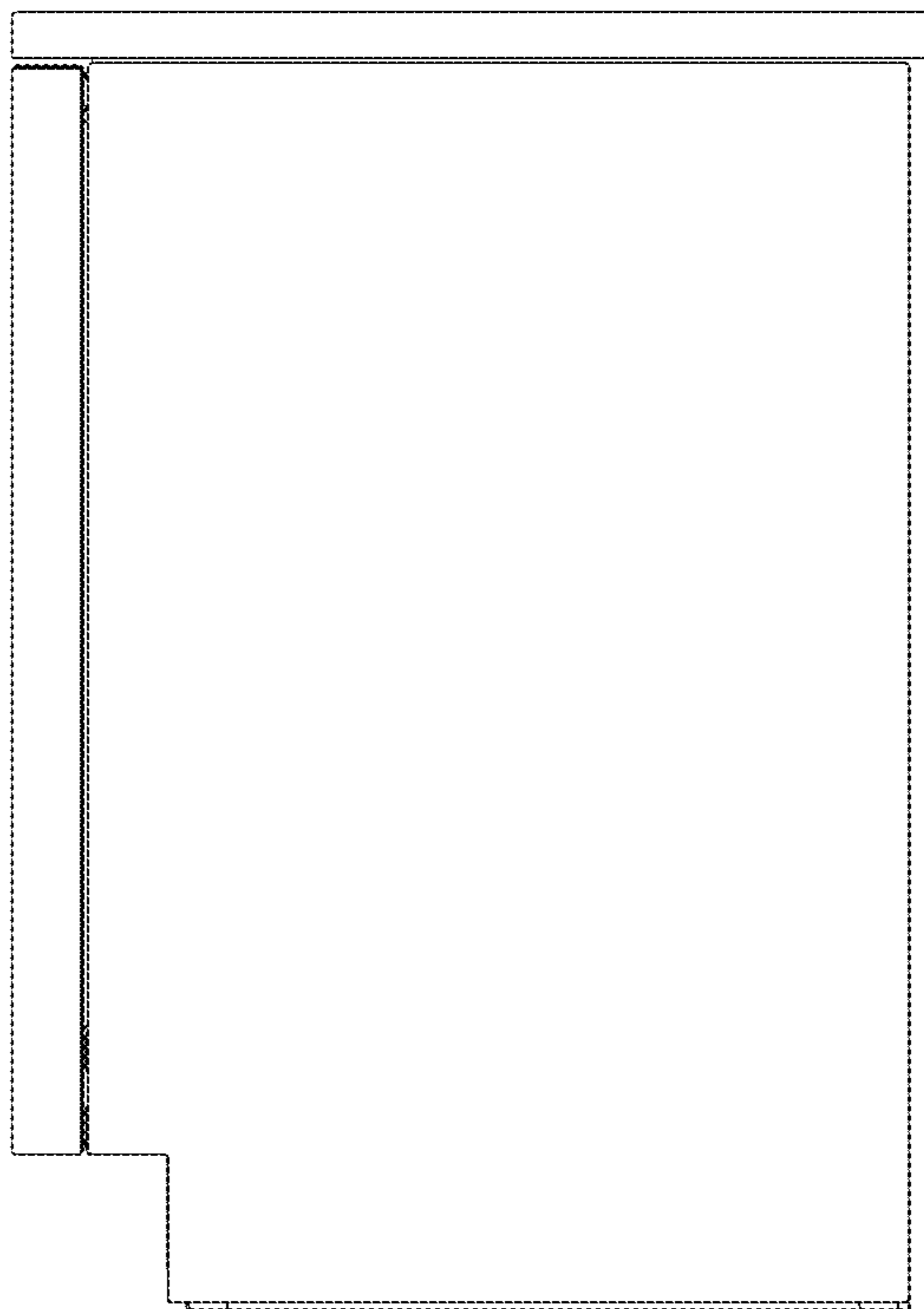
1.3



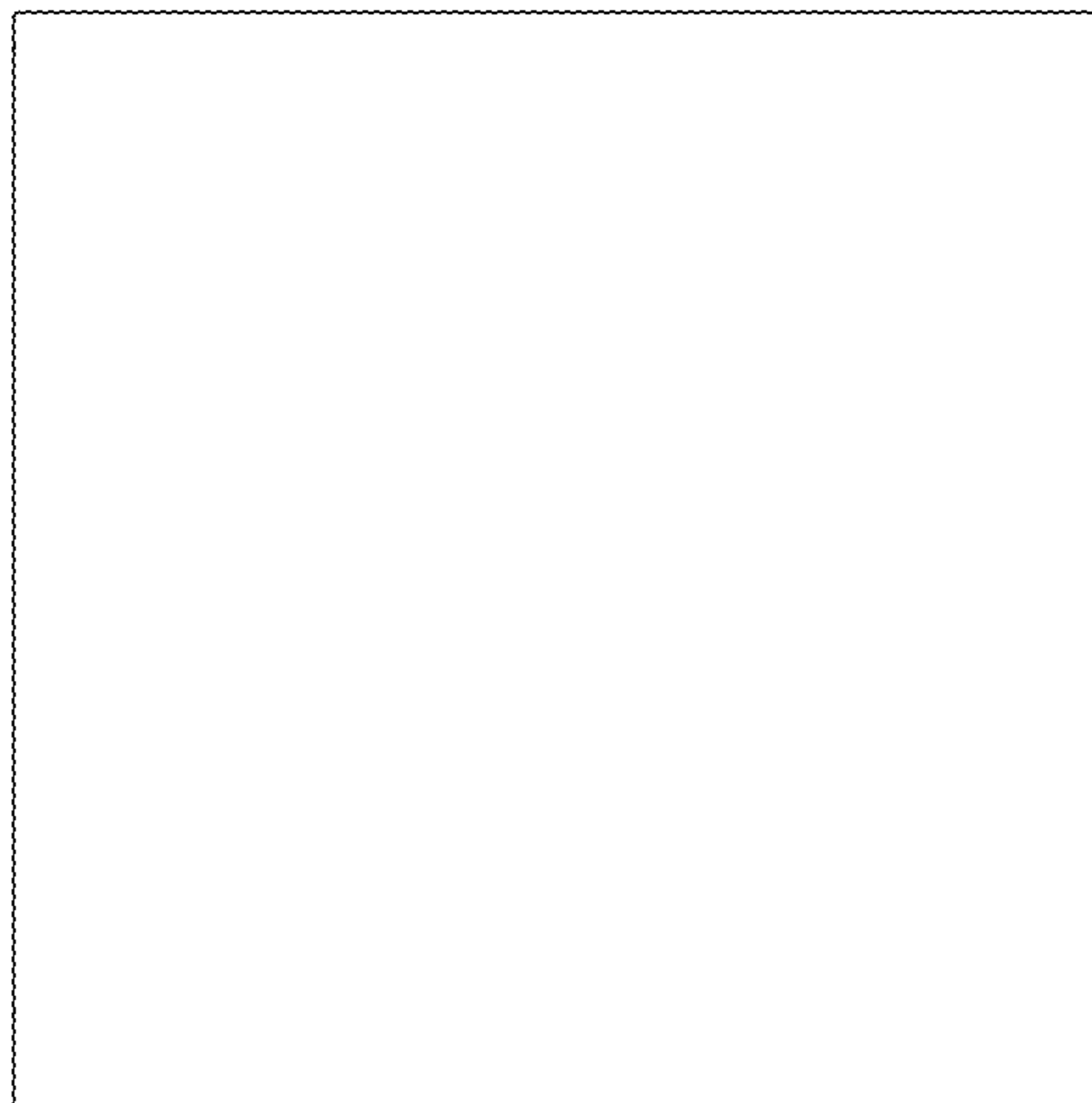
1.4



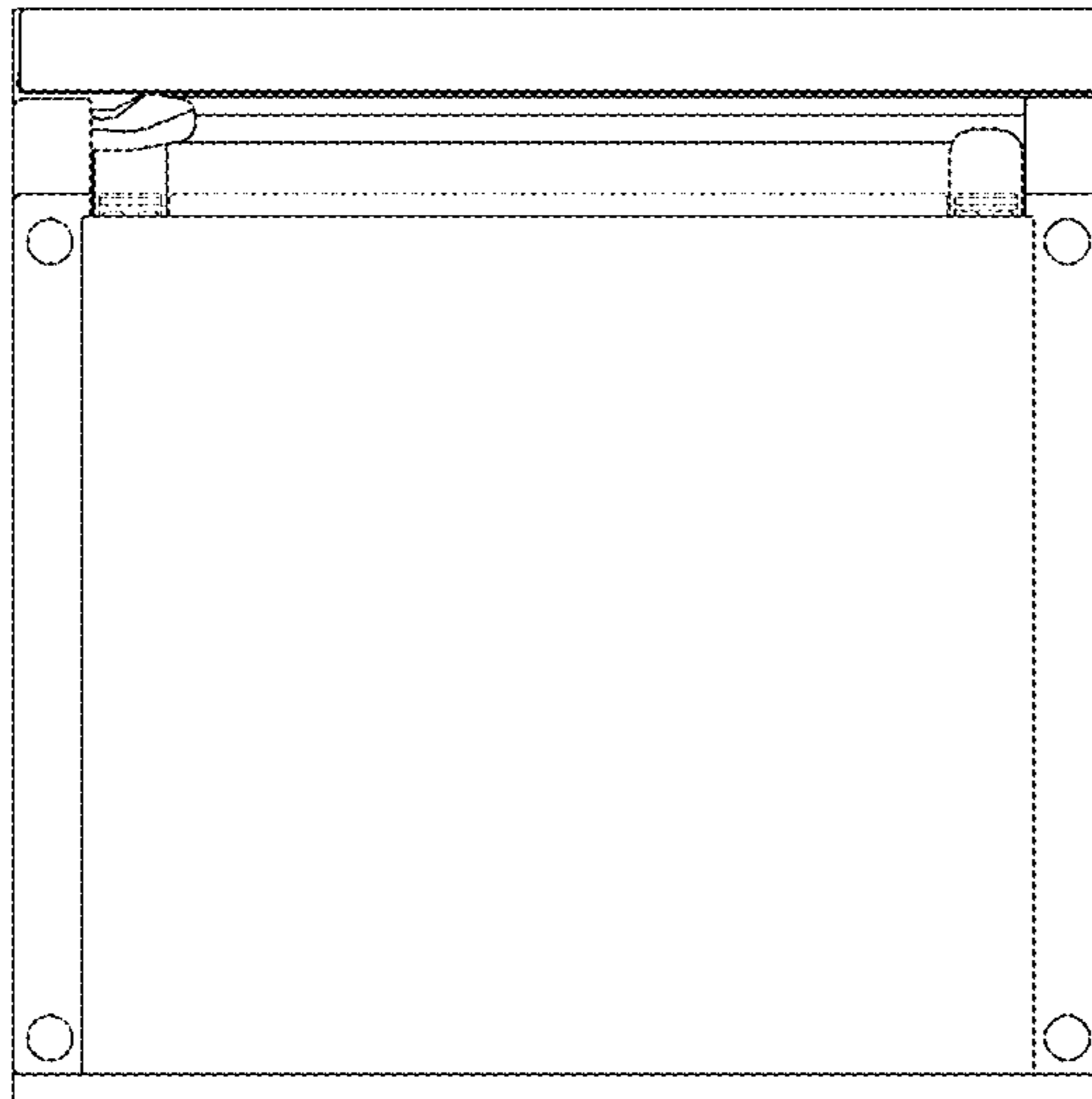
1.5



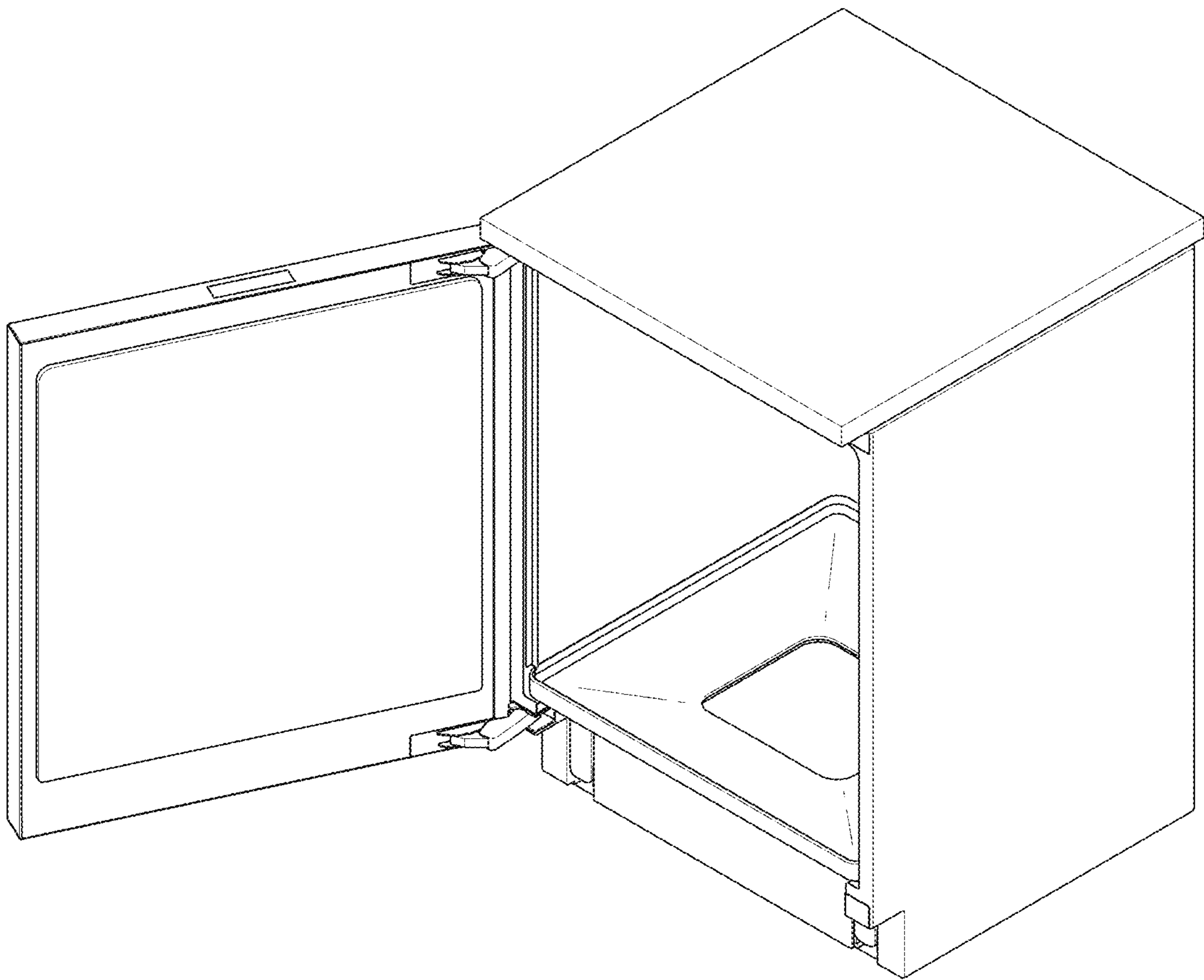
1.6



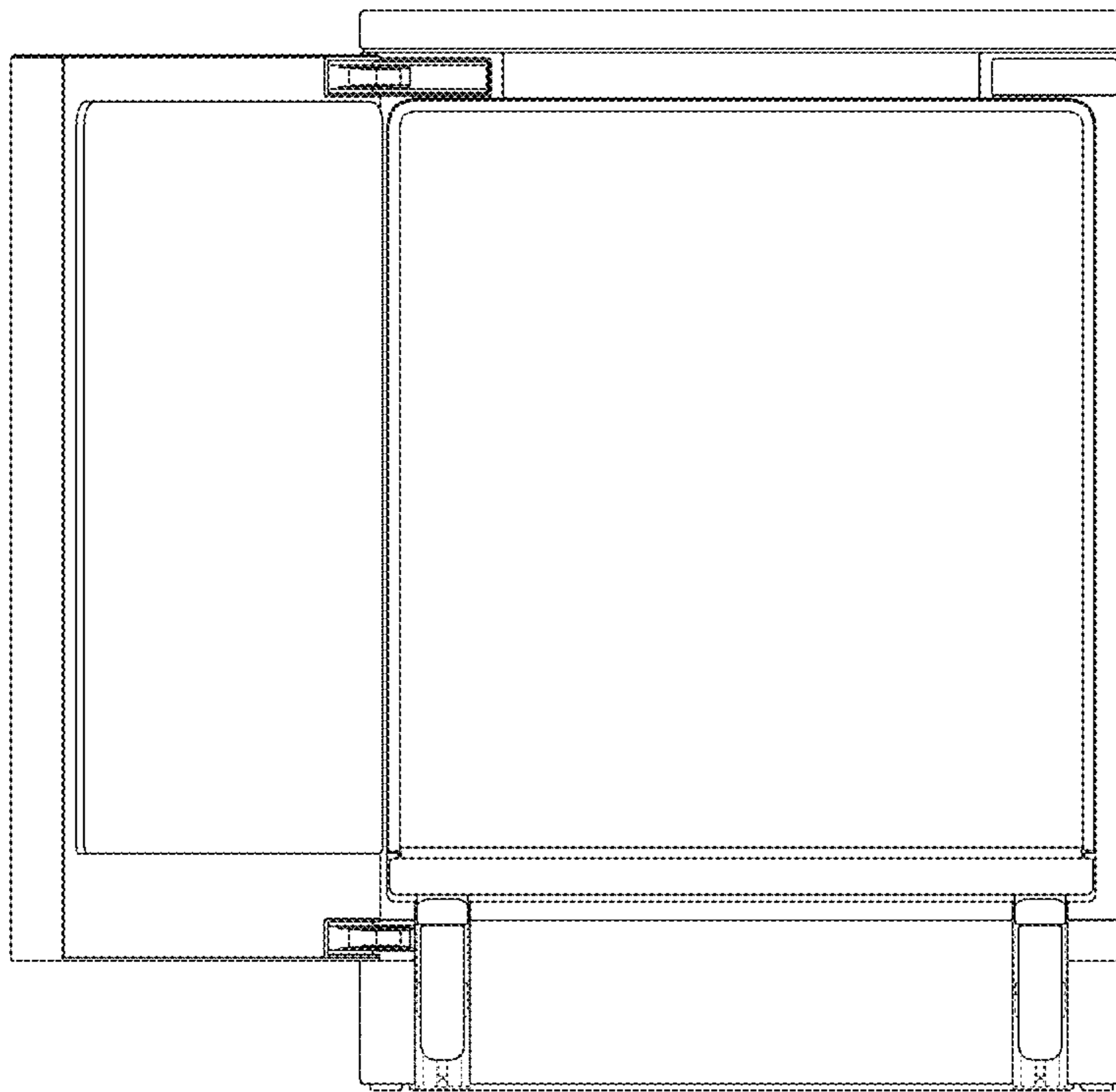
1.7



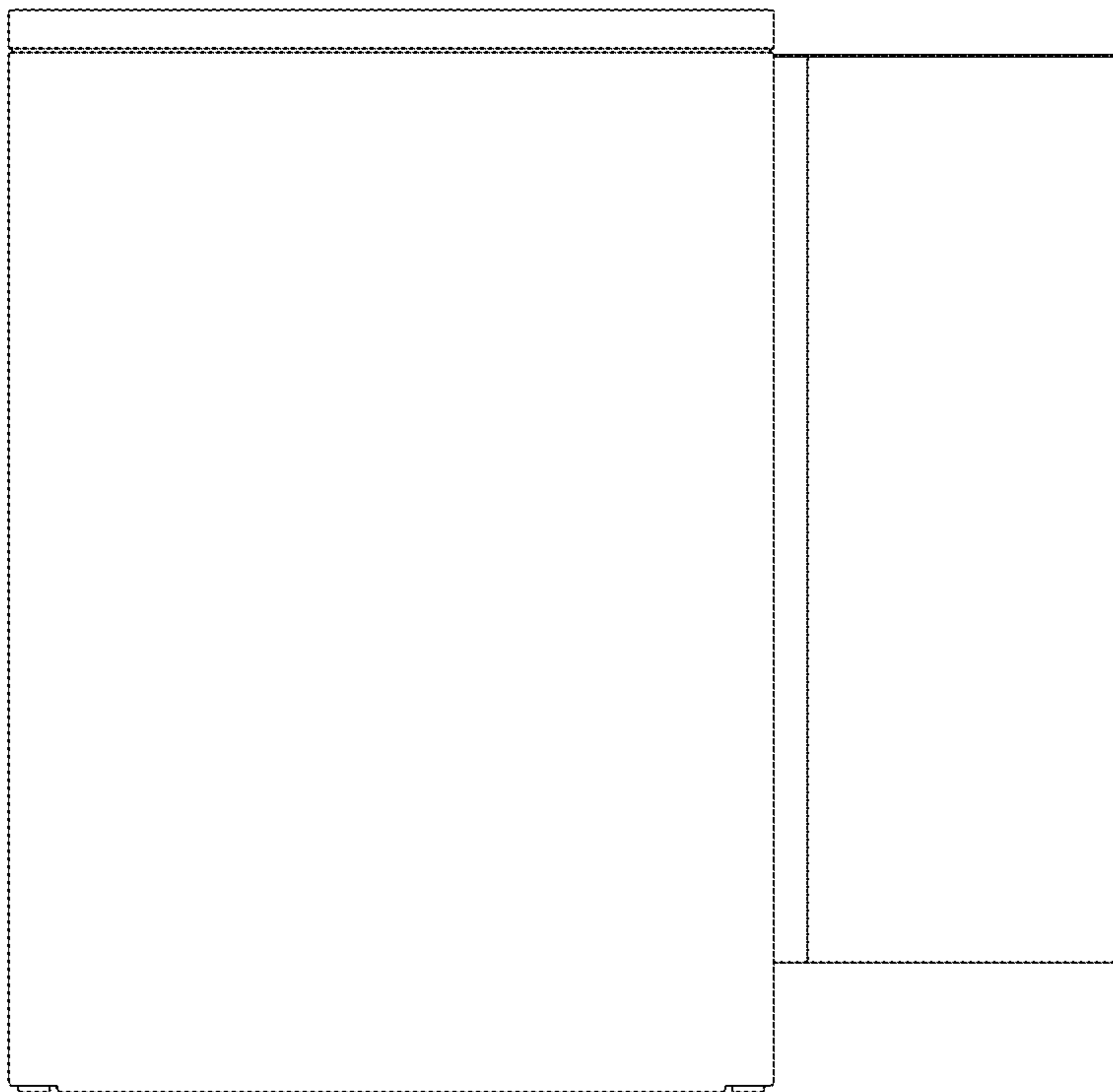
1.8



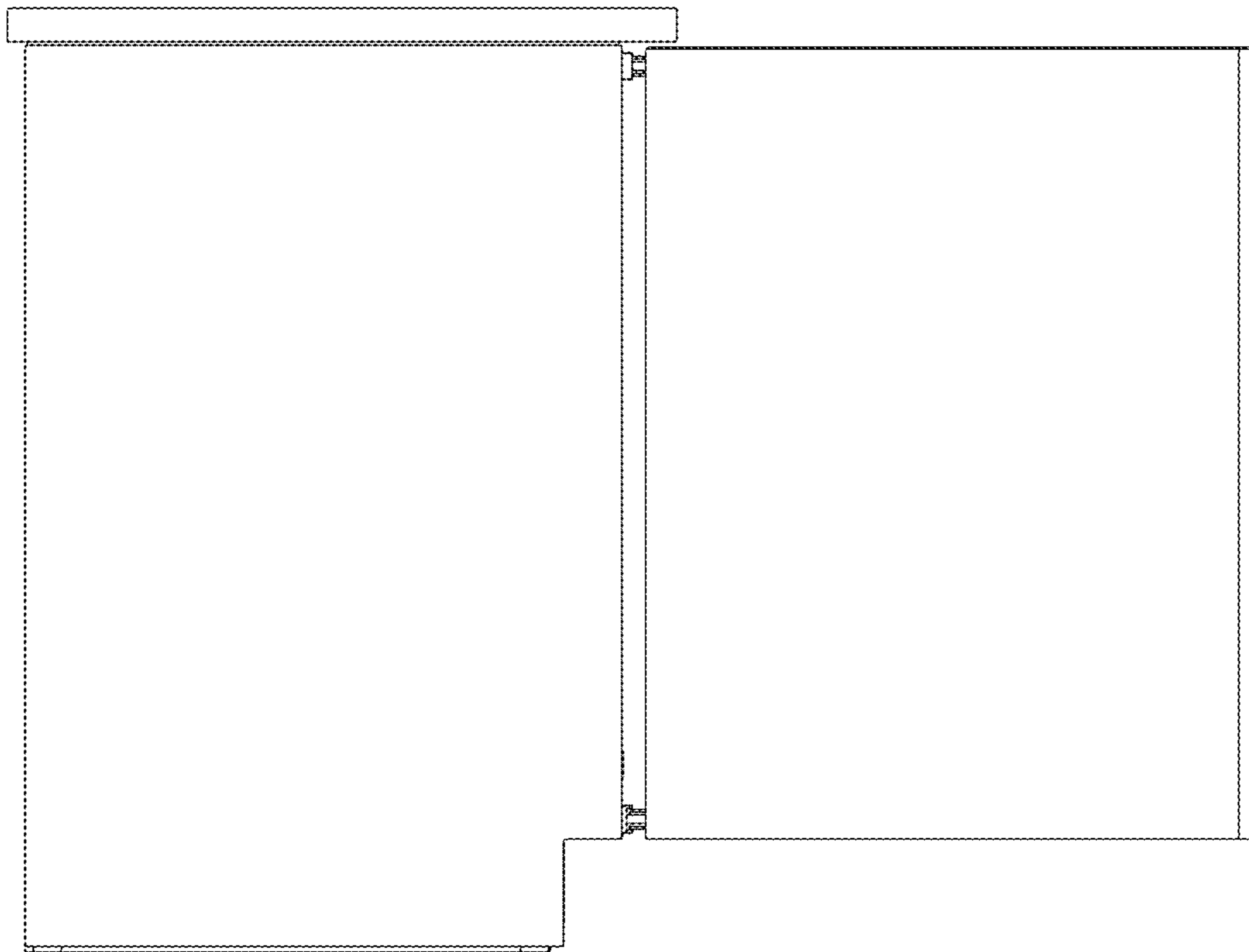
1.9



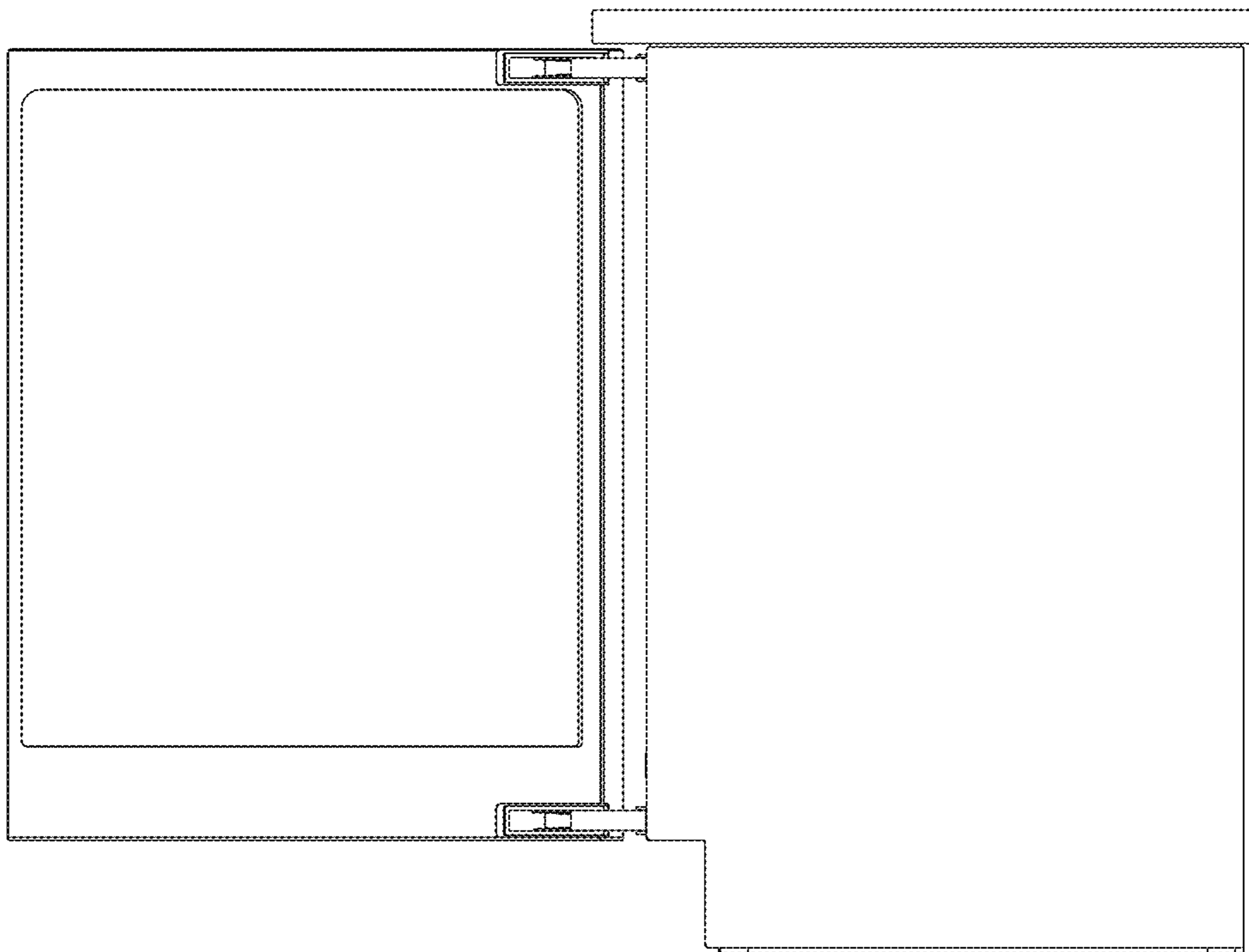
1.10



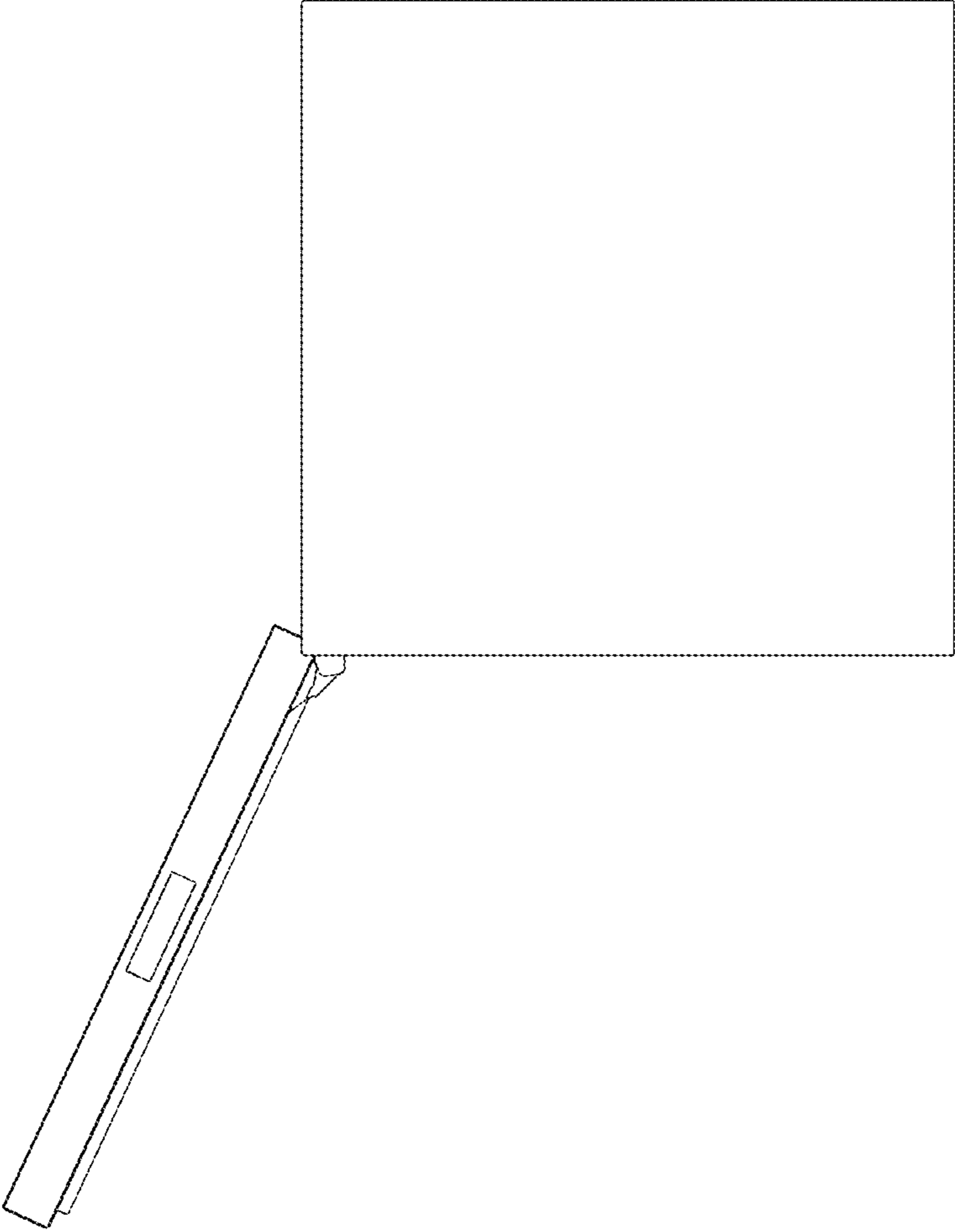
1.11



1.12



1.13



1.14

