



US00D919201S

(12) **United States Design Patent** (10) **Patent No.:** **US D919,201 S**
Wang (45) **Date of Patent:** **** May 11, 2021**

(54) **DOG TRAINING DEVICE**

(71) Applicant: **ShanShan Wang**, Huarong (CN)

(72) Inventor: **ShanShan Wang**, Huarong (CN)

(**) Term: **15 Years**

(21) Appl. No.: **29/760,115**

(22) Filed: **Nov. 30, 2020**

(30) **Foreign Application Priority Data**

Oct. 30, 2020 (CN) 202030651712.6

(51) **LOC (13) Cl.** **30-99**

(52) **U.S. Cl.**
USPC **D30/199**; D10/104.1

(58) **Field of Classification Search**
USPC D30/151-155, 144, 199, 160;
119/792-798, 850, 855-859, 863-865,
119/654, 905, 907, 815, 712, 802, 784,
119/769, 760, 776, 862, 908, 860,
119/719-721; 242/381.1-381.2, 385.4,
242/378.3, 376.1, 385.1, 916, 601, 570,
242/405, 404, 371, 223, 170, 388.1,
242/405.2, 377, 381.3, 381.6, 405.3,
242/388.6, 384.7, 382, 396.1, 404.1, 380;
362/108; 33/767, 769, 414; D12/400;
D3/229, 230, 207, 208, 215; 40/1.5, 455,
40/640, 303; 206/63.3, 459.5, 702, 408;
D6/515; D8/358, 360, 347, 360.1, 359,
D8/356, DIG. 1; D24/145, 167, 186, 146,
D24/169; D10/57, 72, 106.1, 104.1,
D10/104.2, 109.2, 70, 97, 98, 78, 65;
D20/28; 224/666, 678; 16/445; 283/74,
283/70; D11/232, 200, 216, 1, 2, 86, 87,
D11/201, 206-210, 212-215, 218;
24/163 K, 122.3, 323, 702, 600.4-600.7,
24/163 R, 169-171, 173, 177-179, 191,
24/194, 195, 197, 200, 303, 616, 635,
24/313, 615, 3, 6, 3 K, 599.2, 96, 221,

24/237, 311, 312, 314, 321, 338, 339,
24/309; 428/3, 4; 54/76, 1, 71; 63/29.1,
63/3; 191/12.2 R, 12.4; D13/154, 153,
D13/137.4, 155, 103, 168; D19/69, 67;
379/438; 446/26; 473/576; D22/140;
174/135; 439/504, 13, 501; D34/33;
188/83, 82.1, 65.1; 254/134.3 FT;
D29/124; D2/627, 624, 633, 625;
132/145, 146, 148; 2/314; 59/79.1;
340/573.3, 573.1, 573, 573.4,
340/539.13-539.19; 343/895;

(Continued)

(56) **References Cited**

U.S. PATENT DOCUMENTS

D387,898 S * 12/1997 Ronzani D3/215
D400,458 S * 11/1998 Titus D10/104.1

(Continued)

Primary Examiner — Susan Moon Lee

(57) **CLAIM**

The ornamental design for a dog training device, as shown and described.

DESCRIPTION

FIG. 1 is a first perspective view of a dog training device showing my new design;
FIG. 2 is a second perspective view thereof;
FIG. 3 is a front view thereof;
FIG. 4 is a back view thereof;
FIG. 5 is a left side view thereof;
FIG. 6 is a right side view thereof;
FIG. 7 is a top view thereof; and,
FIG. 8 is a bottom view thereof.

The broken lines shown in the drawings depict portions of the dog training device in which the design is embodied that form no part of the claimed design.

1 Claim, 8 Drawing Sheets



(58) **Field of Classification Search**

USPC 278/8 AES; 231/7; 361/232; D14/344,
 D14/341, 137, 155, 496, 203.5, 203.3,
 D14/144, 218, 188, 216, 192;
 342/357.51, 357.57, 357.52, 357.55;
 455/100, 352, 456.1, 550.1; 315/291
 CPC A01K 15/021; A01K 15/02; A01K 15/022;
 A01K 15/023; A01K 15/029; A01K
 15/04; A01K 15/00; A01K 15/006; A01K
 12/022; A01K 27/009; A01K 27/00;
 A01K 27/001; A01K 27/006-008; A01K
 29/005; A01K 29/00; A61B 5/0002-0028;
 A61B 5/681; A61B 5/6822; A61B
 5/6824; A61B 5/6829; G01S 5/0294

See application file for complete search history.

(56) **References Cited**

U.S. PATENT DOCUMENTS

D428,218 S * 7/2000 Dehart D30/152
 7,198,009 B2 * 4/2007 Crist A01K 15/022
 119/718
 7,249,572 B2 * 7/2007 Goetzl A01K 15/021
 119/719
 D555,298 S * 11/2007 Garon D30/152
 7,382,328 B2 * 6/2008 Lee, IV H01Q 1/44
 343/718
 7,552,699 B2 * 6/2009 Moore A01K 15/021
 119/719
 D631,552 S * 1/2011 Kasabach D24/186
 D657,098 S * 4/2012 So D30/152
 D673,334 S * 12/2012 Guo D30/152
 8,714,113 B2 * 5/2014 Lee, IV A01K 15/022
 119/718
 8,783,212 B2 * 7/2014 Bellon A01K 27/009
 119/720
 8,803,692 B2 * 8/2014 Goetzl A01K 15/021
 340/573.3
 D715,675 S * 10/2014 Ma D11/3
 D726,052 S * 4/2015 Henning D10/98
 D737,709 S * 9/2015 Hulan D10/104.1
 D740,150 S * 10/2015 Howsam D11/3
 D746,477 S * 12/2015 Cha D24/186
 D749,005 S * 2/2016 Bruce D10/104.1
 9,332,812 B2 * 5/2016 Ma A01K 27/006
 9,861,080 B1 * 1/2018 Hathway A01K 11/008
 D811,385 S * 2/2018 Hosoda D14/341
 D812,499 S * 3/2018 Kuh D10/70
 D822,516 S * 7/2018 Van Curen D10/104.1
 D824,899 S * 8/2018 Yang D14/344
 D826,763 S * 8/2018 Chuang D11/3

D829,120 S * 9/2018 Mitchell D10/104.1
 D834,769 S * 11/2018 Wen D30/199
 D835,364 S * 12/2018 Lee D30/199
 D835,533 S * 12/2018 Zheng D10/70
 D835,860 S 12/2018 Li
 D835,861 S 12/2018 Li
 10,154,651 B2 * 12/2018 Goetzl A01K 15/022
 D858,904 S * 9/2019 Zinn D30/152
 D870,399 S * 12/2019 Van Curen D30/152
 D872,383 S * 1/2020 Darnell D30/152
 D888,353 S * 6/2020 Lan D30/199
 D890,456 S 7/2020 Dai
 2004/0162875 A1 * 8/2004 Brown G08B 5/223
 709/203
 2005/0059909 A1 * 3/2005 Burgess A61F 7/007
 601/15
 2005/0145196 A1 * 7/2005 Crist A01K 15/022
 119/718
 2005/0145198 A1 * 7/2005 Crist A01K 15/022
 119/718
 2005/0145200 A1 * 7/2005 Napolez A01K 15/022
 119/718
 2005/0211187 A1 * 9/2005 Harman A01K 15/023
 119/721
 2005/0235924 A1 * 10/2005 Lee A01K 15/022
 119/718
 2006/0207520 A1 * 9/2006 Moore A01K 27/009
 119/720
 2007/0209604 A1 * 9/2007 Groh A01K 27/009
 119/858
 2011/0232585 A1 * 9/2011 Rich G01S 5/14
 119/721
 2012/0160183 A1 * 6/2012 So A01K 15/021
 119/720
 2013/0027207 A1 * 1/2013 Goetzl H01Q 1/40
 340/573.3
 2013/0112153 A1 * 5/2013 So A01K 15/021
 119/720
 2013/0233252 A1 * 9/2013 Bellon A01K 15/029
 119/720
 2014/0320347 A1 * 10/2014 Rochelle A01K 15/023
 342/385
 2015/0033794 A1 * 2/2015 Ma A01K 27/006
 63/1.13
 2015/0040839 A1 * 2/2015 Goetzl A01K 27/009
 119/720
 2016/0192623 A1 * 7/2016 Rich A01K 29/005
 119/721
 2016/0242387 A1 * 8/2016 Ecker H04N 7/185
 2018/0132450 A1 * 5/2018 Goetzl A01K 15/021
 2018/0153137 A1 * 6/2018 Goetzl A01K 15/023
 2018/0153138 A1 * 6/2018 Goetzl A01K 15/029
 2020/0015456 A1 * 1/2020 Van Curen A01K 27/009

* cited by examiner

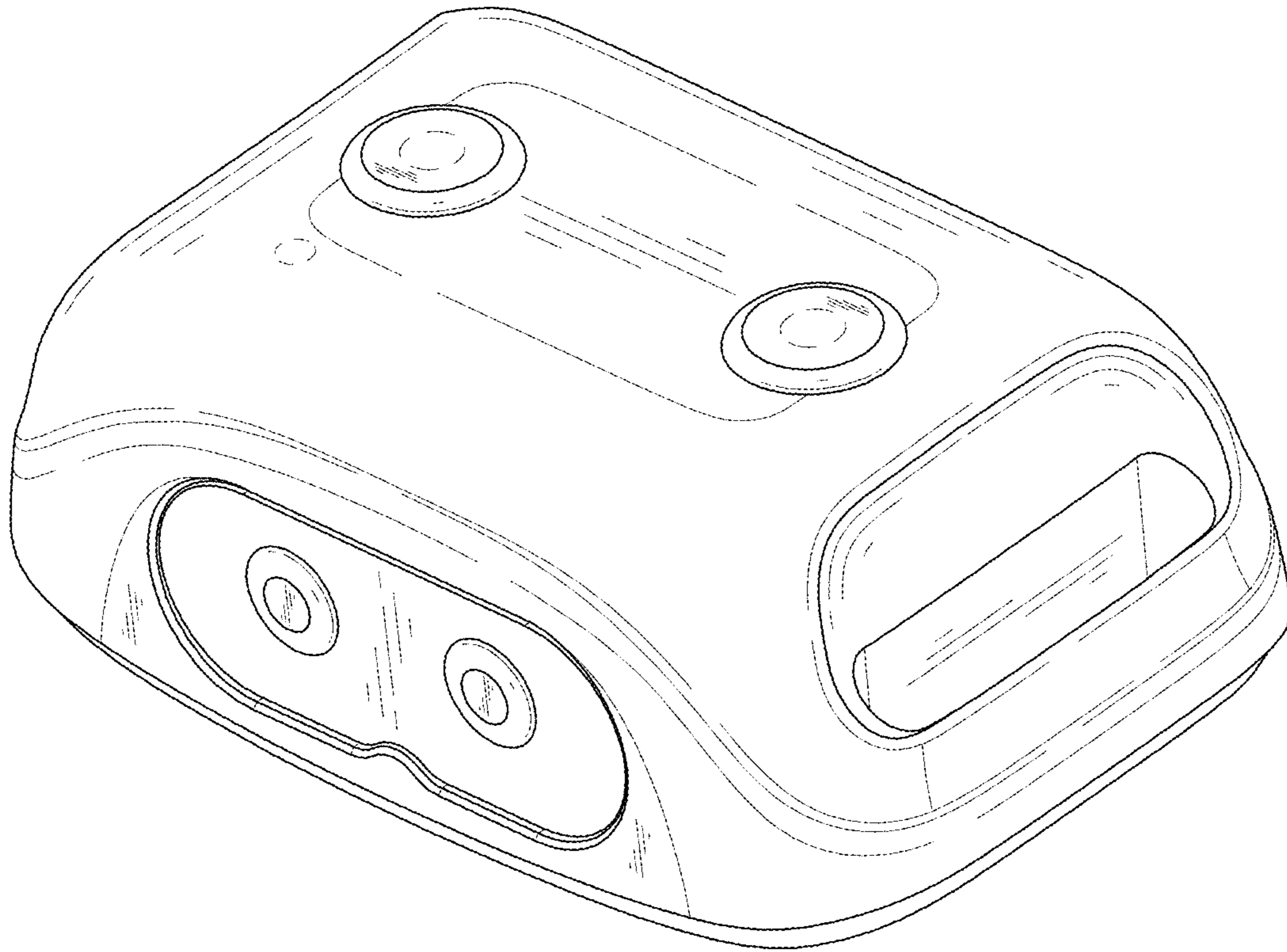


FIG. 1



FIG. 2

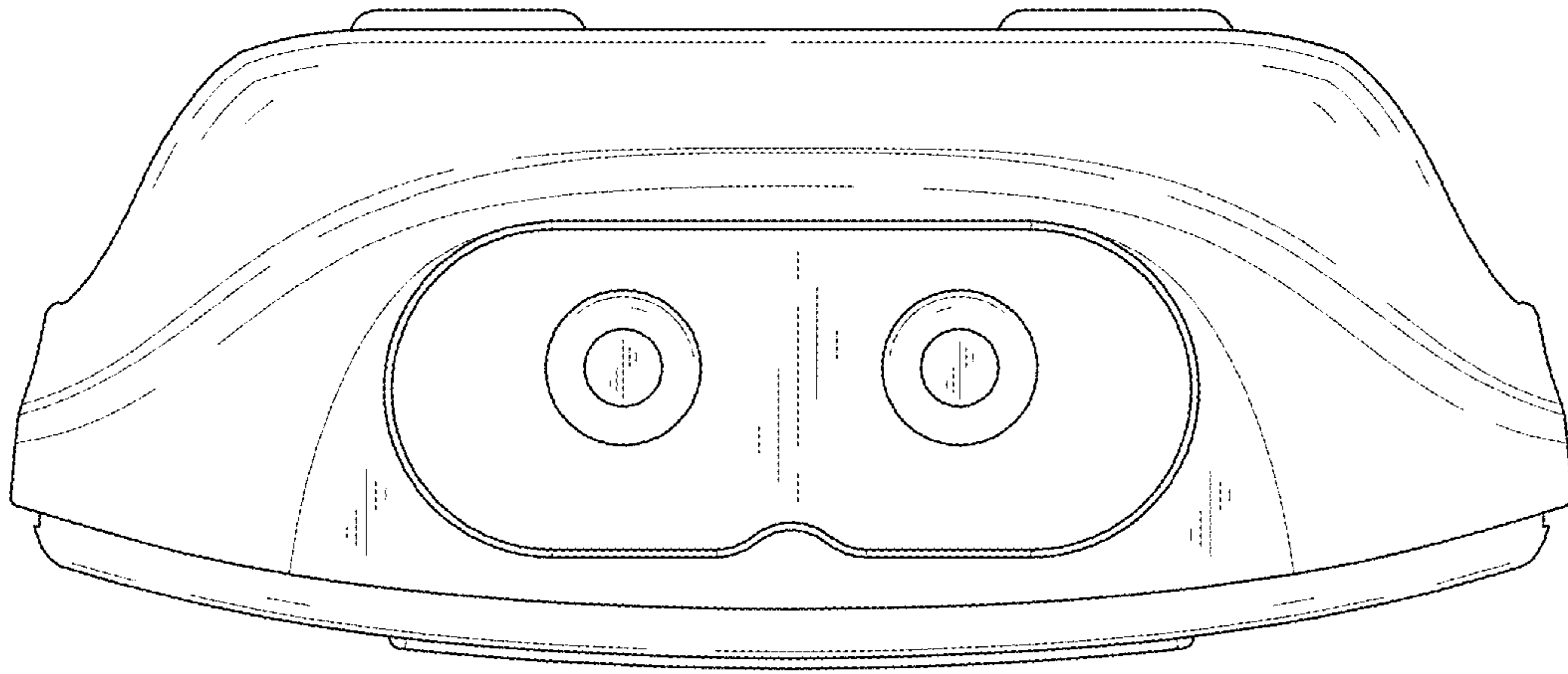


FIG. 3

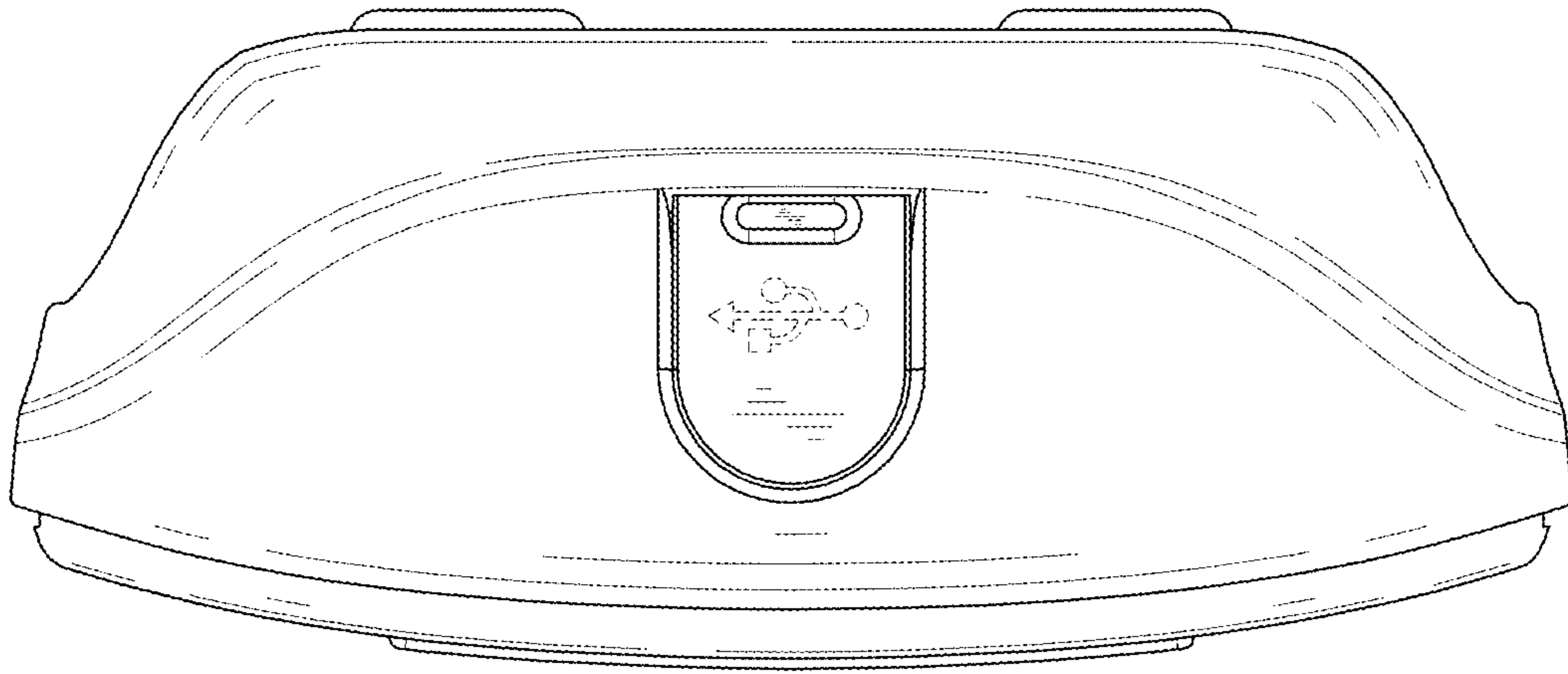


FIG. 4

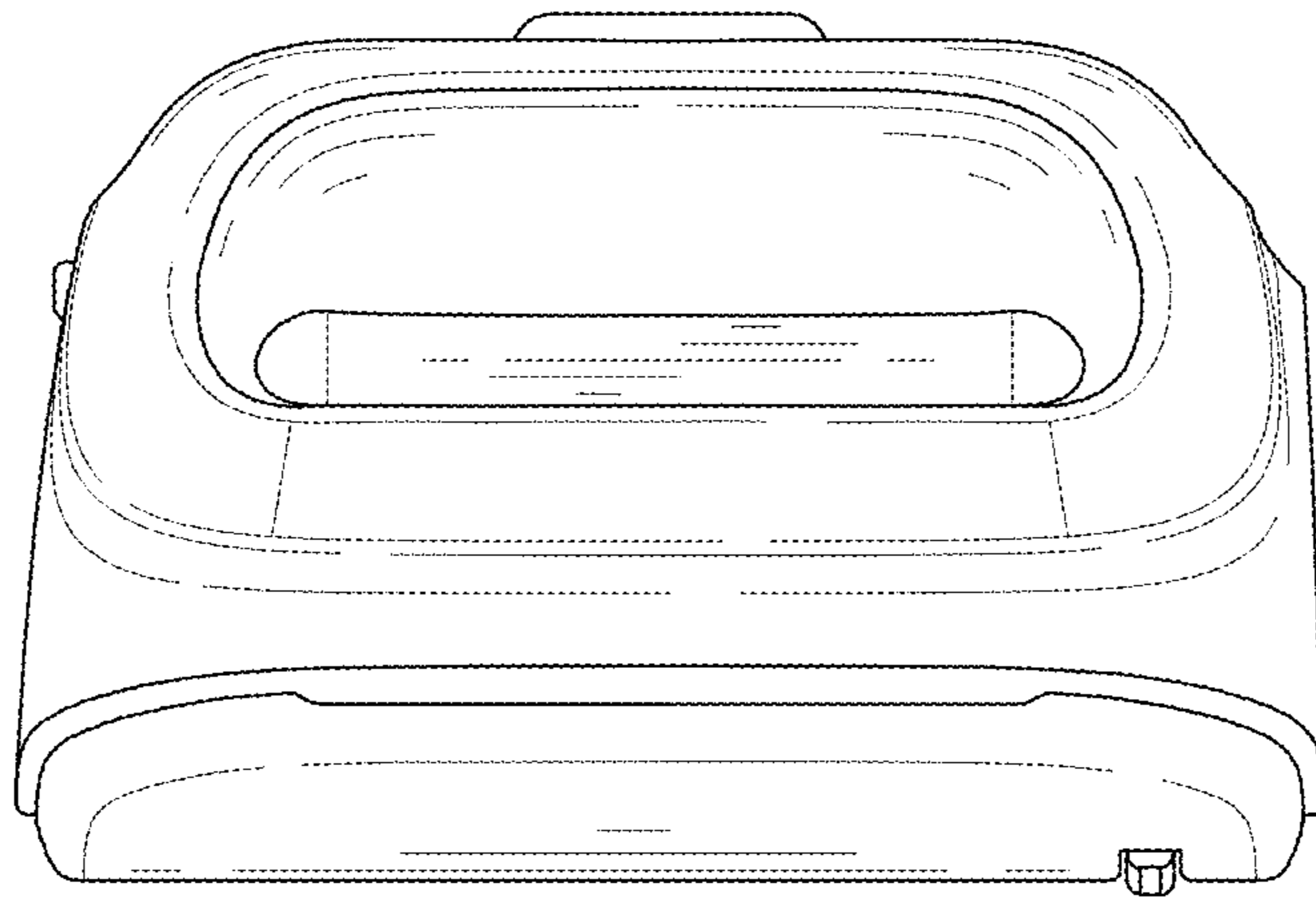


FIG. 5

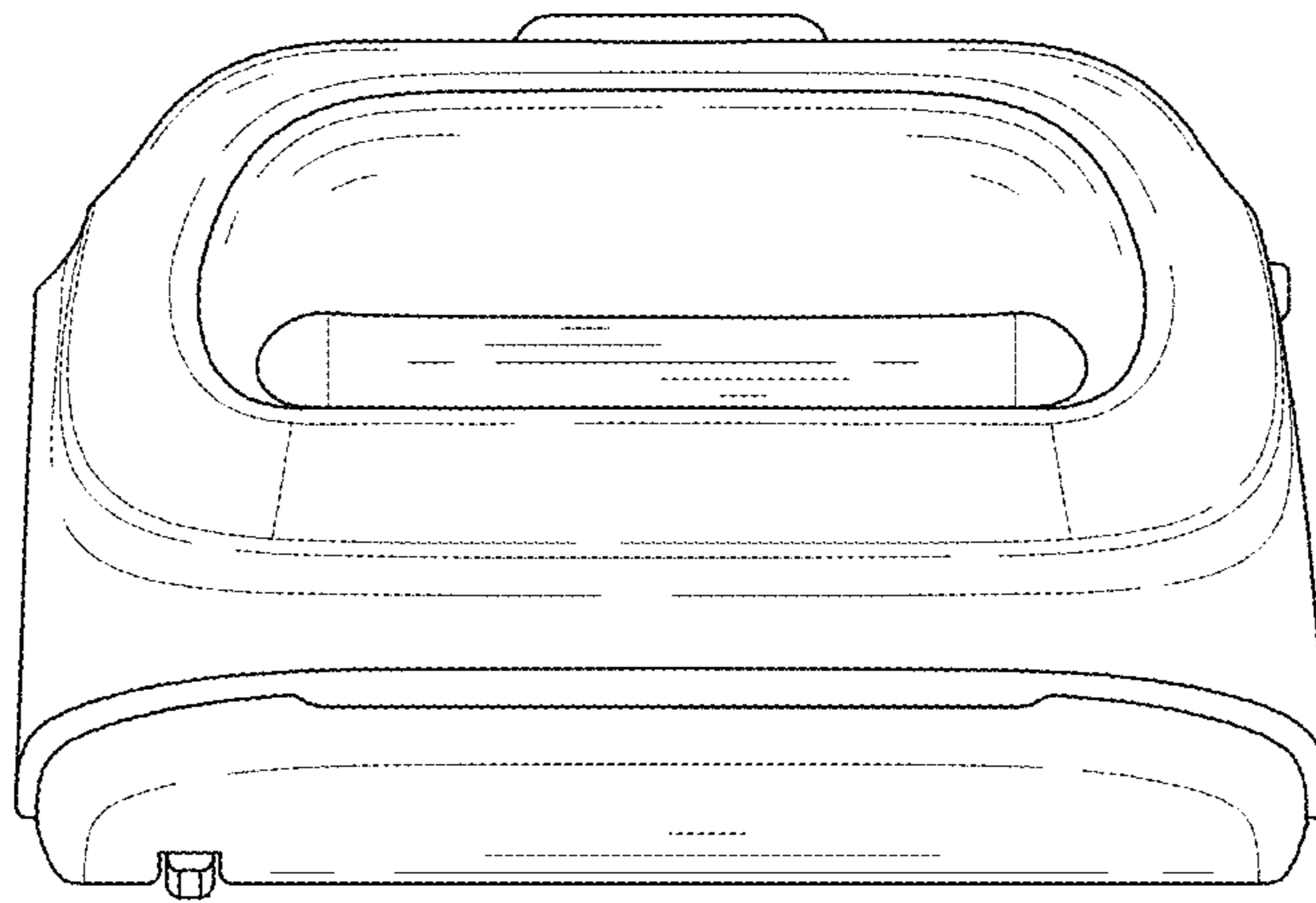


FIG. 6

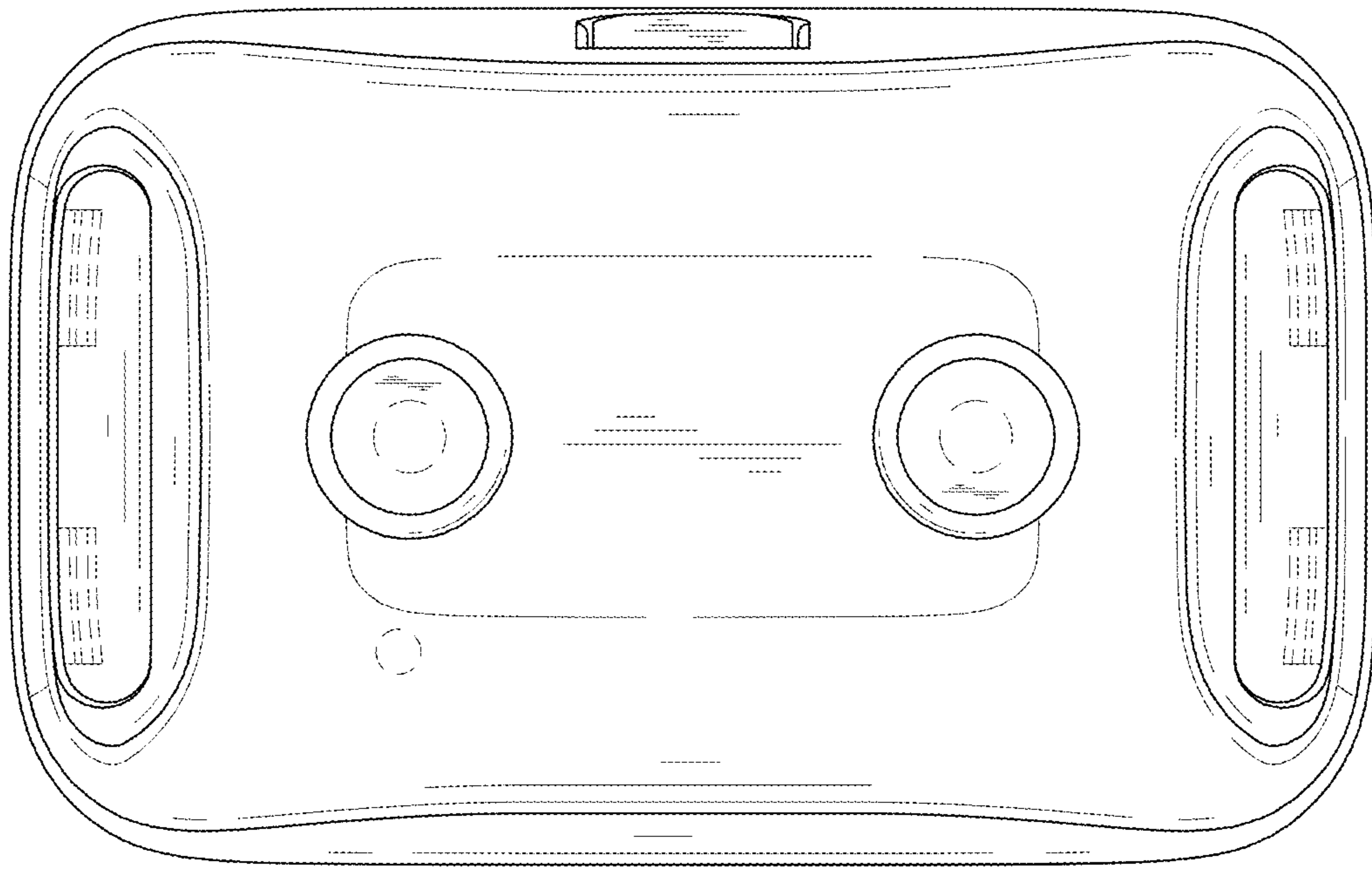


FIG. 7

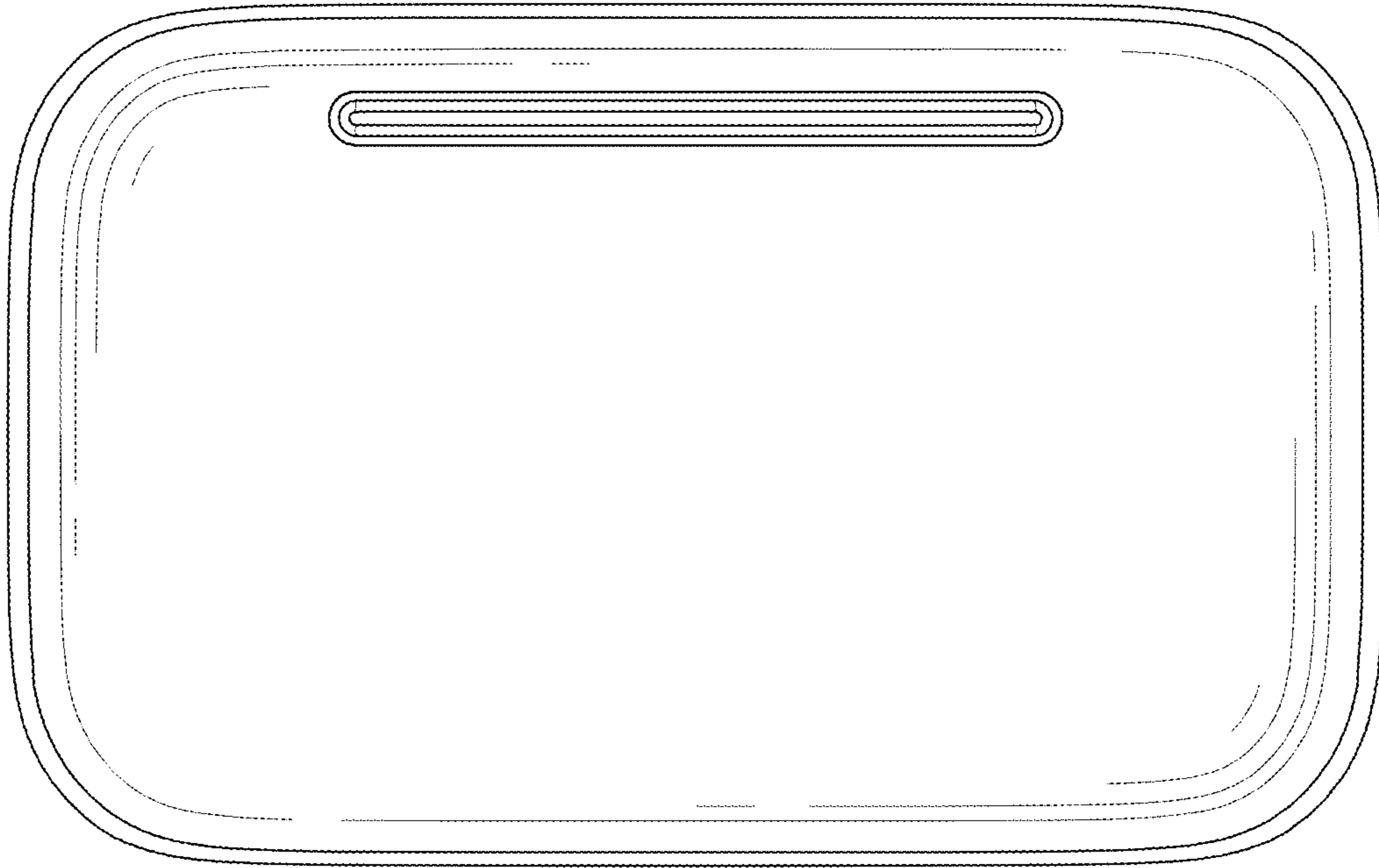


FIG. 8