



US00D919200S

(12) **United States Design Patent**  
**Zeng**

(10) **Patent No.:** **US D919,200 S**  
(45) **Date of Patent:** **\*\* May 11, 2021**

- (54) **PET WHEELCHAIR**
- (71) Applicant: **Shenzhen Ailin Trading Co., Ltd,**  
Shenzhen (CN)
- (72) Inventor: **Zhihao Zeng,** Guangzhou (CN)
- (\*\*) Term: **15 Years**
- (21) Appl. No.: **29/749,524**
- (22) Filed: **Sep. 7, 2020**
- (51) **LOC (13) Cl.** ..... **30-99**
- (52) **U.S. Cl.**  
USPC ..... **D30/199**
- (58) **Field of Classification Search**  
USPC ..... D30/144, 151, 152, 160, 199;  
119/722-729, 792, 751, 516, 738;  
5/83.1; 452/53-56; 601/27, 35; 602/19;  
280/62, 63, 65, 43, 47.131, 657, 290;  
168/48.1; 403/119; D6/344, 347;  
472/119, 120-125  
CPC ..... A61D 3/00; A61D 2003/006; A61D  
2003/003; A01K 15/04; A01K 15/027;  
A01K 15/02; A61H 3/04; A61H  
2003/043; A61H 2003/046; A61H  
2203/03; A63G 9/00; A47D 13/10; A47D  
13/105; A47D 13/107  
See application file for complete search history.

(56) **References Cited**  
U.S. PATENT DOCUMENTS

2,546,726	A *	3/1951	Creamer, Jr.	.....	A61D 9/00	119/727
2,976,840	A *	3/1961	Hugus	.....	A61H 3/04	119/727
3,215,117	A *	11/1965	Short	.....	A01K 13/00	119/727
3,241,851	A *	3/1966	Dingbaum	.....	A61D 9/00	280/657

3,406,661	A *	10/1968	Parkes	.....	A61D 9/00	119/727
4,318,365	A *	3/1982	Eriksson	.....	A61D 3/00	119/728
4,375,203	A *	3/1983	Parkes	.....	A61D 9/00	119/727
4,777,910	A *	10/1988	Pecor	.....	A01K 15/027	119/702
4,821,676	A *	4/1989	Hulterstrum	.....	A61D 9/00	119/174
5,224,444	A *	7/1993	Hill	.....	A61H 3/04	119/727
6,640,751	B1 *	11/2003	Cool	.....	A01K 15/00	119/727
6,820,572	B1 *	11/2004	Parkes	.....	A01K 15/00	119/727
7,389,749	B1 *	6/2008	Choate	.....	A61D 3/00	119/726
D583,518	S *	12/2008	Thorner	.....	D30/151	
7,549,398	B2 *	6/2009	Robinson	.....	A61D 3/00	119/727
D627,936	S	11/2010	Ye			

(Continued)

*Primary Examiner* — Susan Moon Lee  
(74) *Attorney, Agent, or Firm* — Rumit Ranjit Kanakia

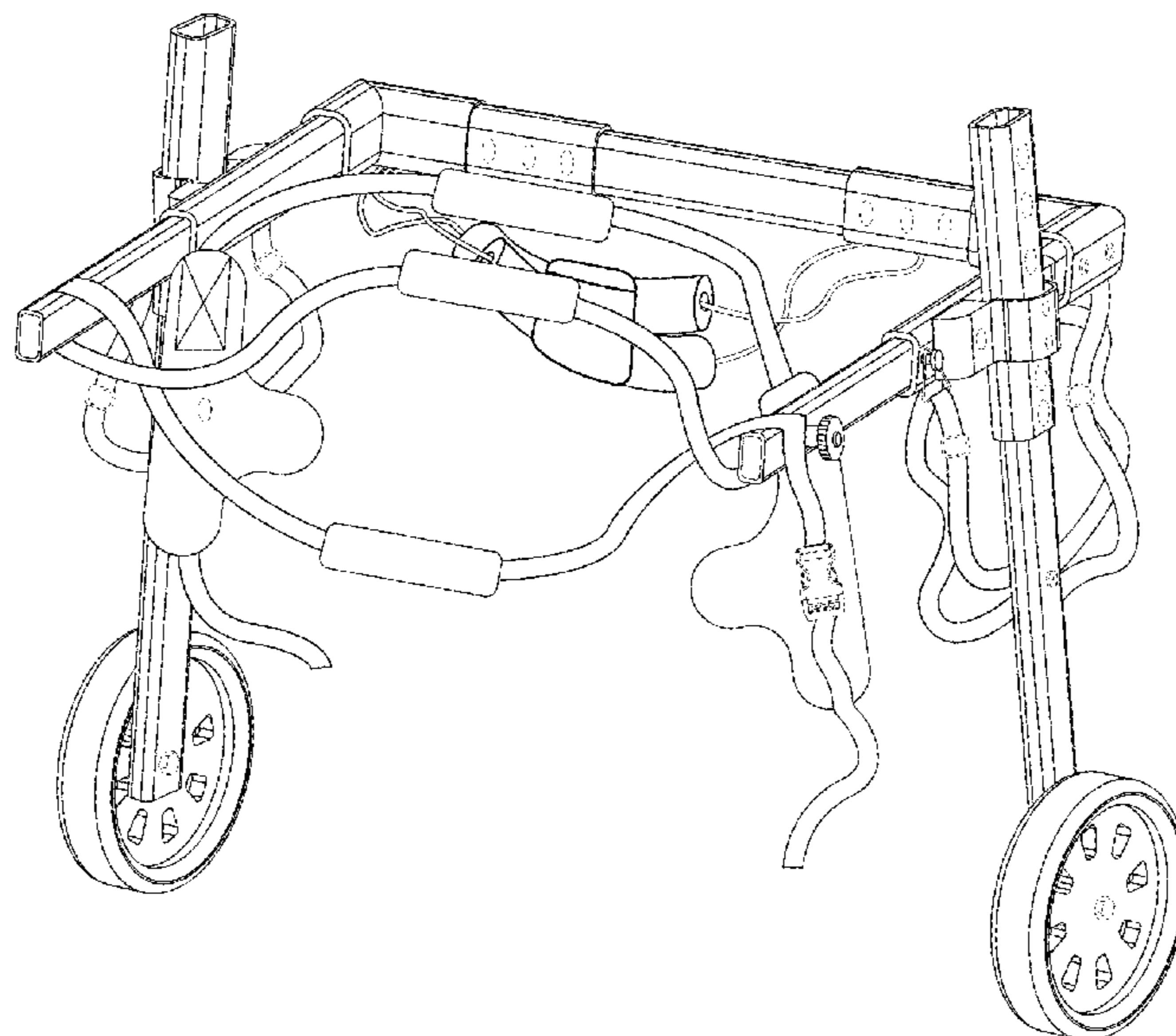
(57) **CLAIM**

I claim the ornamental design for a pet wheelchair as shown and described.

**DESCRIPTION**

FIG. 1 is a Perspective view of a pet wheelchair showing my new design;  
FIG. 2 is a Front view thereof;  
FIG. 3 is a Back view thereof;  
FIG. 4 is a Right-side view thereof;  
FIG. 5 is a Left-side view thereof;  
FIG. 6 is a Top view thereof; and,  
FIG. 7 is a Bottom view thereof.  
The broken lines are for the purpose of illustrating portions of the article that form no part of the claim.

**1 Claim, 7 Drawing Sheets**



(56)

**References Cited**

U.S. PATENT DOCUMENTS

8,038,158 B1 \* 10/2011 White ..... A47D 13/08  
 280/32.5  
 8,777,021 B1 \* 7/2014 Smith ..... A63B 71/0036  
 211/85.7  
 8,919,291 B2 \* 12/2014 De La Celle ..... A61D 3/00  
 119/727  
 D723,746 S 3/2015 Jakubowski et al.  
 9,179,646 B2 \* 11/2015 Shalom ..... A01K 15/02  
 D801,592 S 10/2017 Jakubowski et al.  
 D804,112 S \* 11/2017 Newby ..... D30/199  
 9,962,249 B2 \* 5/2018 Newby ..... A61D 3/00  
 D827,939 S 9/2018 Jakubowski et al.  
 D855,899 S 8/2019 Jakubowski et al.  
 D882,184 S 4/2020 Jakubowski et al.  
 10,765,087 B1 \* 9/2020 Massey ..... A61H 3/04  
 2004/0231613 A1 \* 11/2004 Parkes ..... A01K 15/00  
 119/727  
 2005/0005875 A1 \* 1/2005 Suggs ..... A01K 13/001  
 119/728  
 2008/0231006 A1 \* 9/2008 Van Eeden ..... A61G 5/043  
 280/7.15  
 2012/0160185 A1 \* 6/2012 De La Celle ..... A61D 9/00  
 119/727  
 2013/0104813 A1 \* 5/2013 Shalom ..... A01K 15/02  
 119/727  
 2016/0242392 A1 \* 8/2016 Holzworth ..... A01K 29/00  
 2017/0027676 A1 \* 2/2017 Newby ..... A61D 3/00

\* cited by examiner

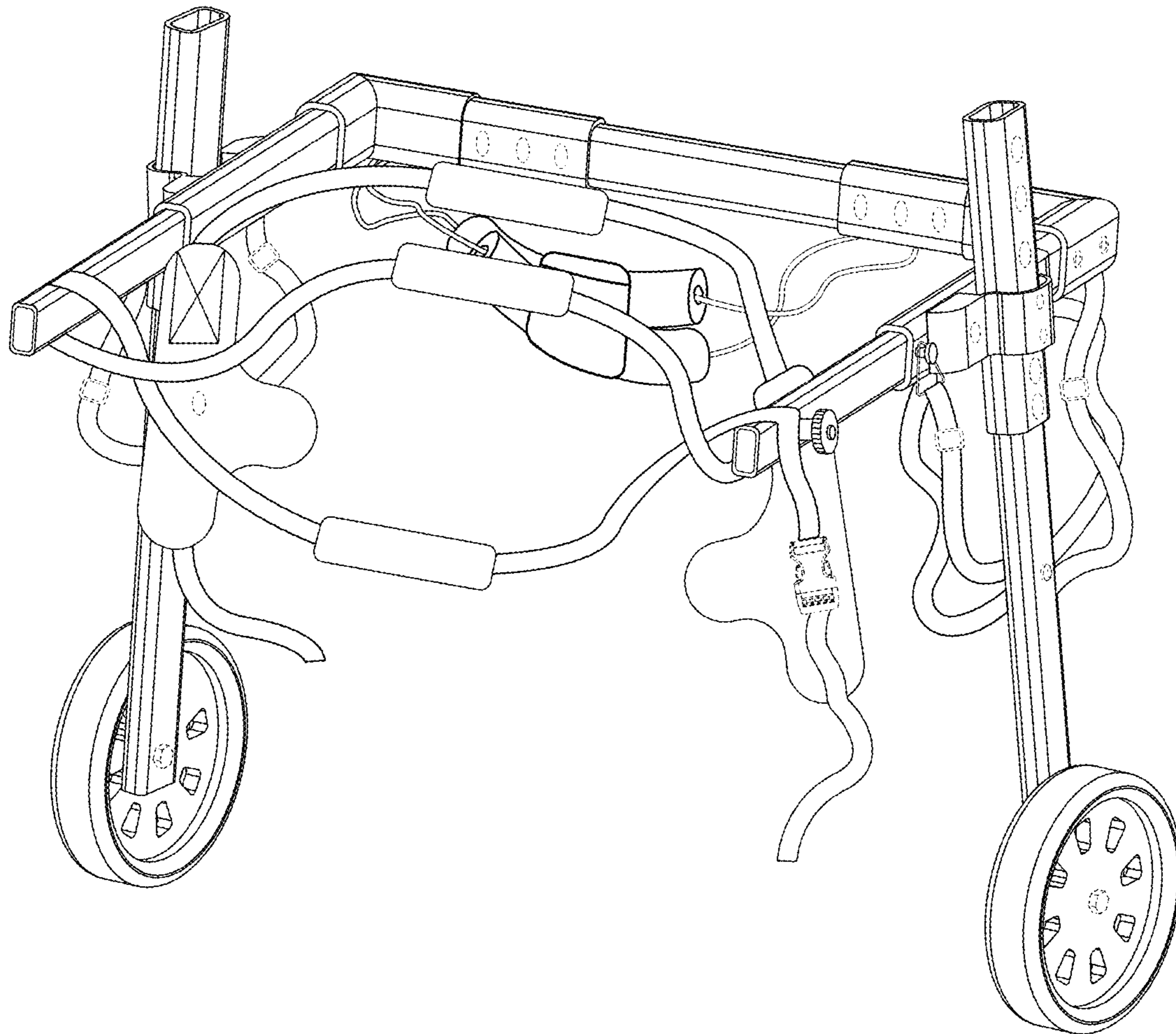


FIG. 1

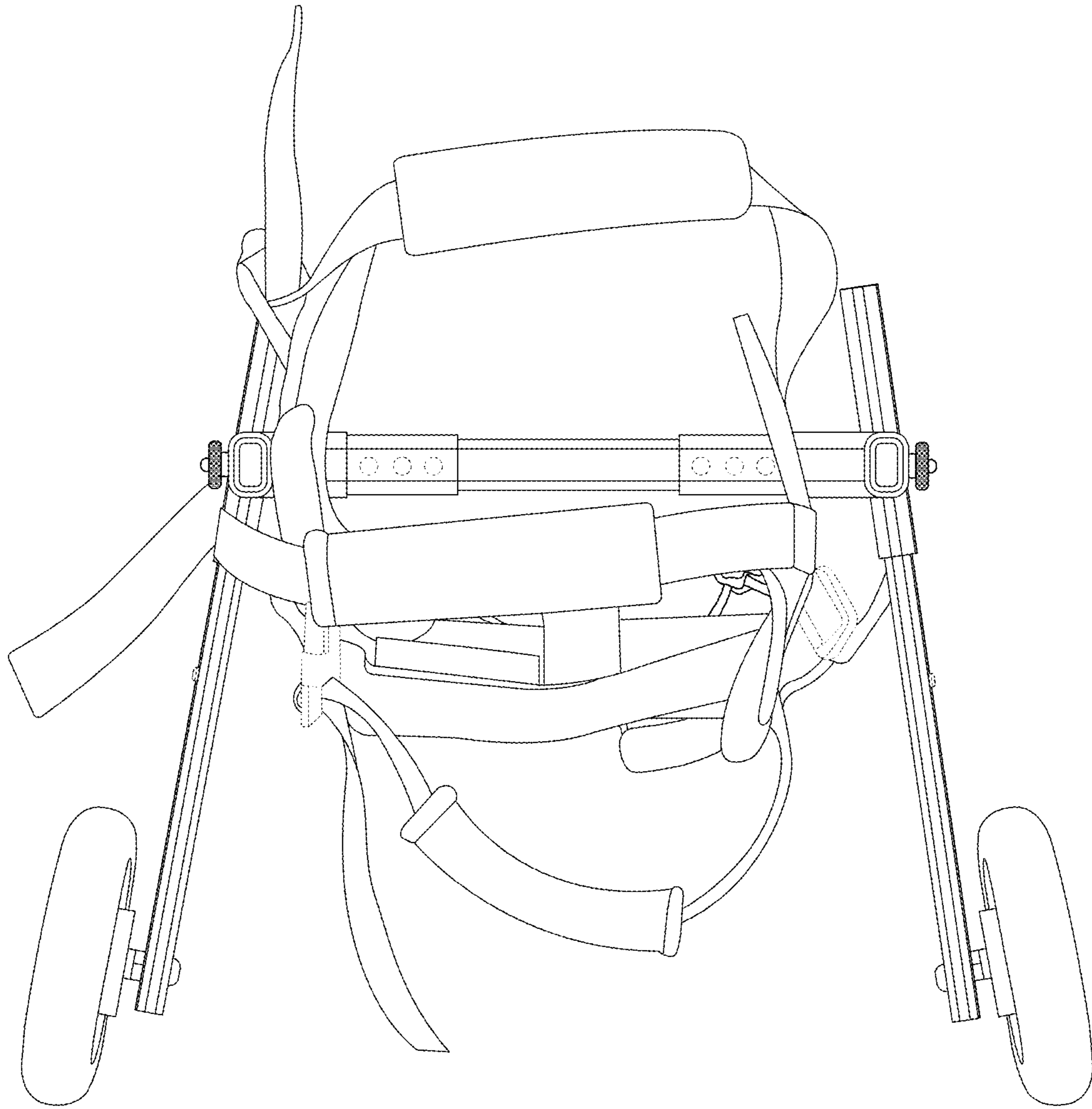


FIG. 2



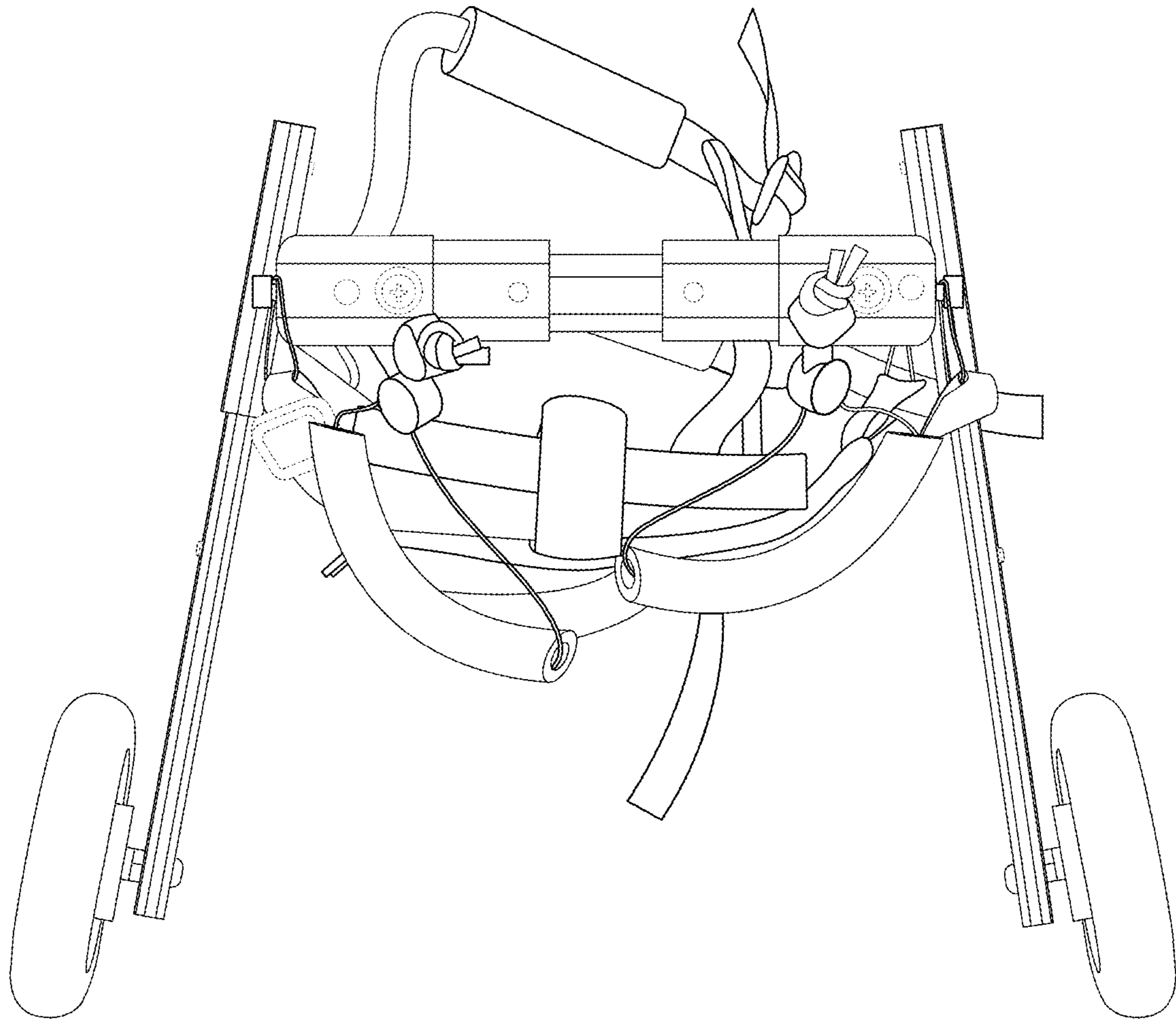


FIG. 3

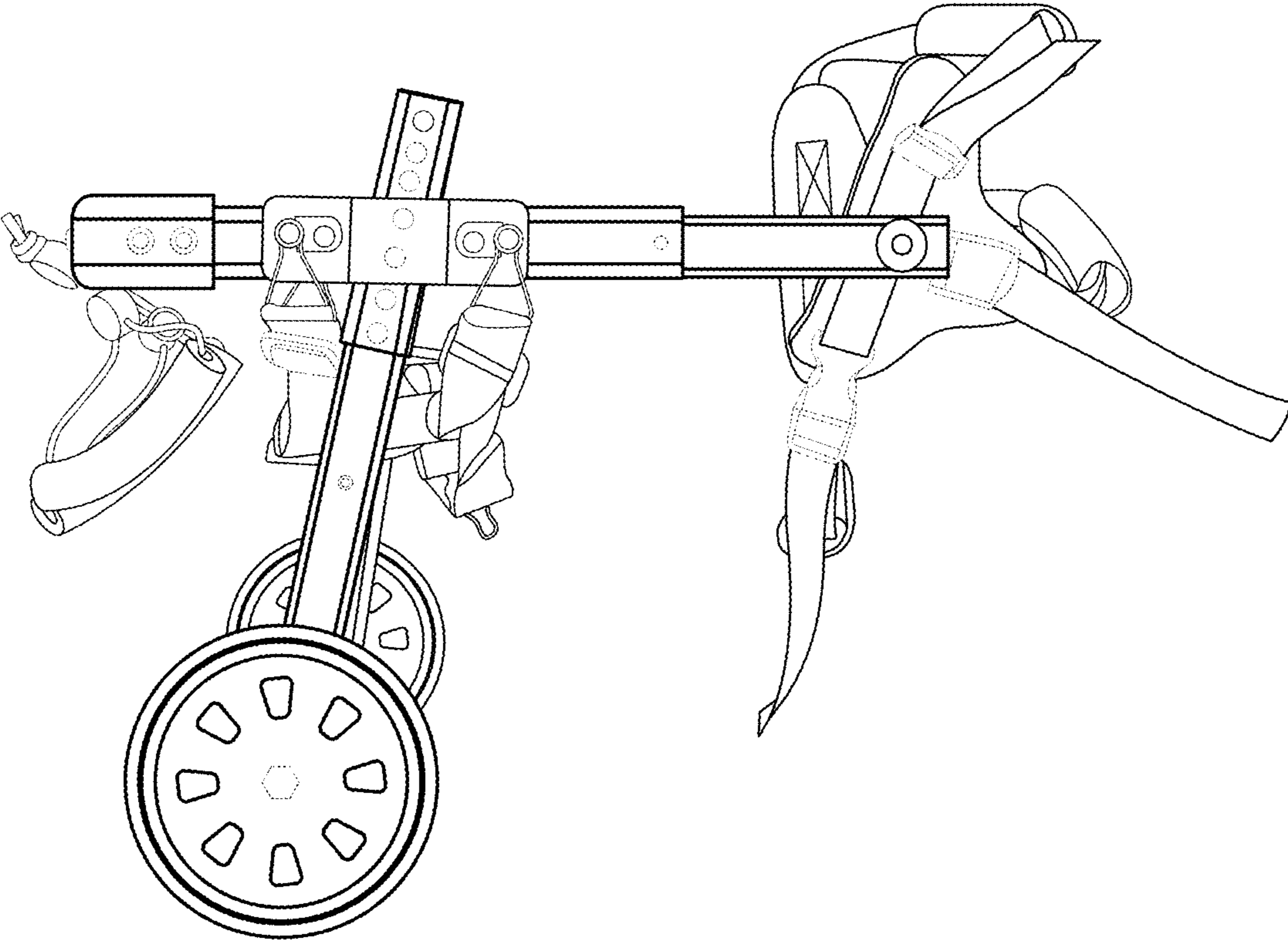


FIG. 4

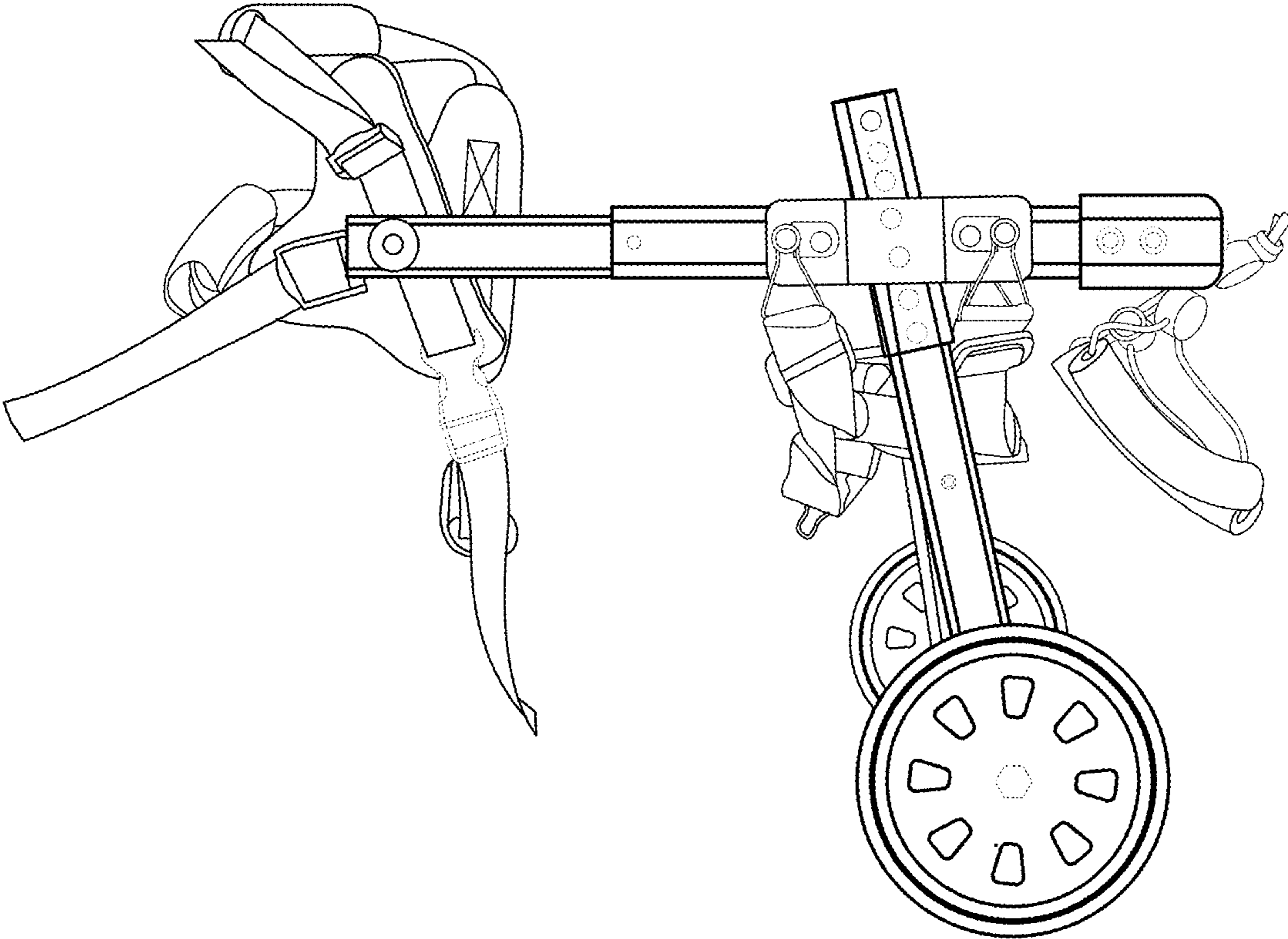


FIG. 5

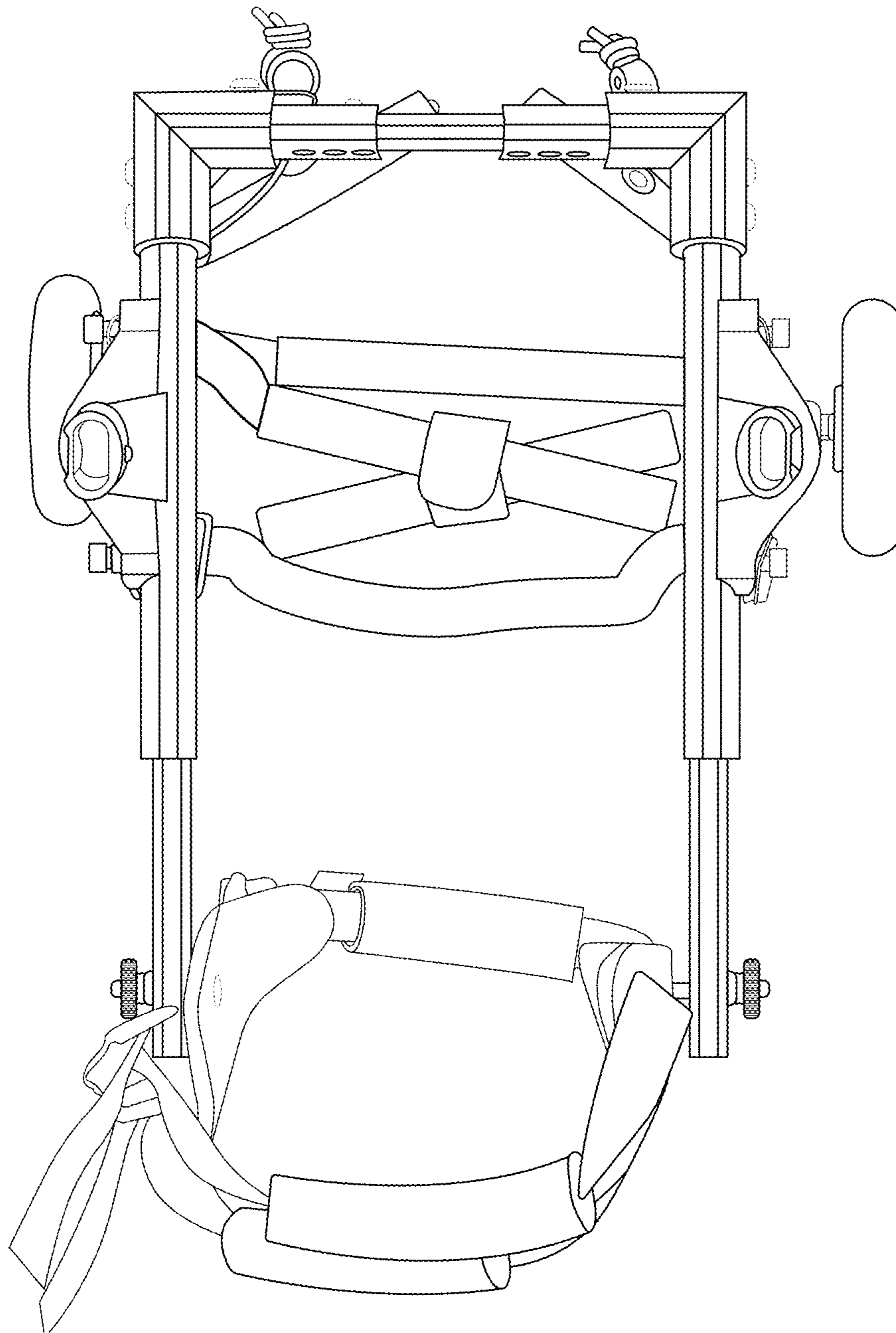


FIG. 6



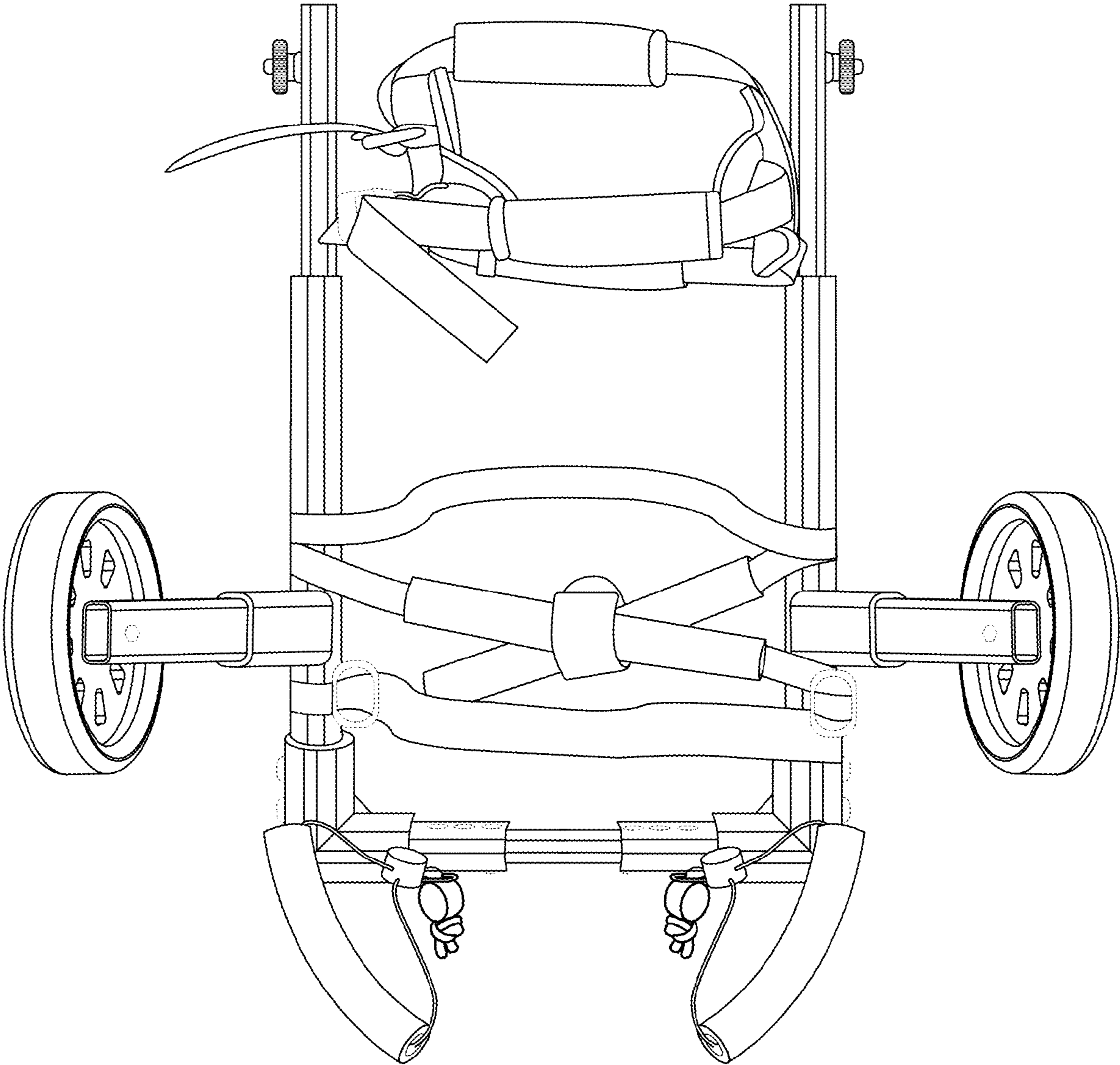


FIG. 7