



US00D919196S

(12) **United States Design Patent**  
**Chen**

(10) **Patent No.:** **US D919,196 S**

(45) **Date of Patent:** **\*\* May 11, 2021**

(54) **PET BOWL STAND**

(71) Applicant: **Shenzhen Shengjia Jianchuang Technology Co., Ltd., Shenzhen (CN)**

(72) Inventor: **Yiling Chen, Shantou (CN)**

(\*\*) Term: **15 Years**

(21) Appl. No.: **29/747,699**

(22) Filed: **Aug. 25, 2020**

(51) **LOC (13) Cl.** ..... **30-03**

(52) **U.S. Cl.**

USPC ..... **D30/133**; D30/121; D30/131; D30/130

(58) **Field of Classification Search**

USPC ..... D30/133, 121, 128, 130, 132; 119/52.1, 119/55, 61.5, 61.6, 61.57, 61.56; D6/480-489, 708, 691.6, 656.13, 691.8, D6/495-499, 349, 429, 477, 353, 690; 248/188, 157, 188.5, 188.8, 188.9, 404, 248/226.11, 231.31; 312/204; 108/153.1-157, 144.11, 145, 146, 147.12, 108/147.21, 148, 149, 150, 151, 152, 108/157.1, 161, 147.19, 64, 136; 297/423.46, 423.44, 423.45; 5/659, 5/503.1, 505.1

CPC ..... A01K 5/00; A01K 5/01; A01K 5/0107; A01K 5/0114; A01K 5/0121; A01K 5/0128; A01K 5/0135; A01K 7/005

See application file for complete search history.

(56) **References Cited**

**U.S. PATENT DOCUMENTS**

D277,705 S \* 2/1985 Bello ..... D30/133  
D302,756 S \* 8/1989 Trine ..... D30/133

D670,041 S 10/2012 Chance et al.  
D679,455 S \* 4/2013 Chance ..... D30/133  
D686,784 S \* 7/2013 Elliott ..... D30/133  
D710,550 S \* 8/2014 Elliott ..... D30/133  
D721,209 S \* 1/2015 Hove ..... D30/133  
D758,675 S 6/2016 Breit  
D870,983 S 12/2019 Padia

\* cited by examiner

*Primary Examiner* — Susan Moon Lee

(57) **CLAIM**

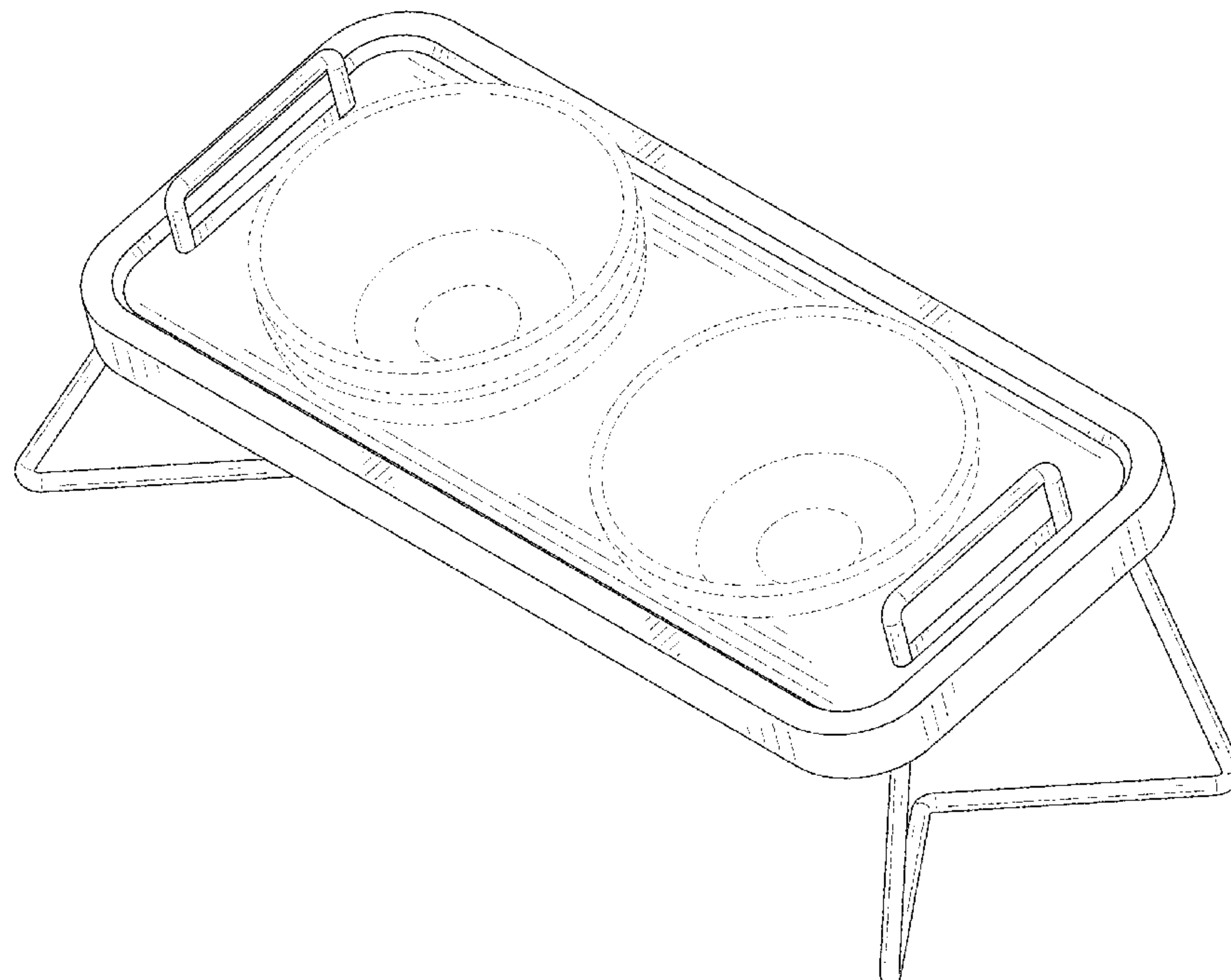
The ornamental design for a pet bowl stand, as shown and described.

**DESCRIPTION**

FIG. 1 is a first perspective view of a pet bowl stand showing my new design;  
FIG. 2 is a second perspective view thereof;  
FIG. 3 is a front view thereof;  
FIG. 4 is a back view thereof;  
FIG. 5 is a left side view thereof;  
FIG. 6 is a right side view thereof;  
FIG. 7 is a top view thereof;  
FIG. 8 is a bottom view thereof; and,  
FIG. 9 is a perspective view of the pet bowl stand depicted in use with bowls.

The broken line showing of bowls in FIG. 9 is for illustrative purposes only and forms no part of the design claim.

**1 Claim, 9 Drawing Sheets**



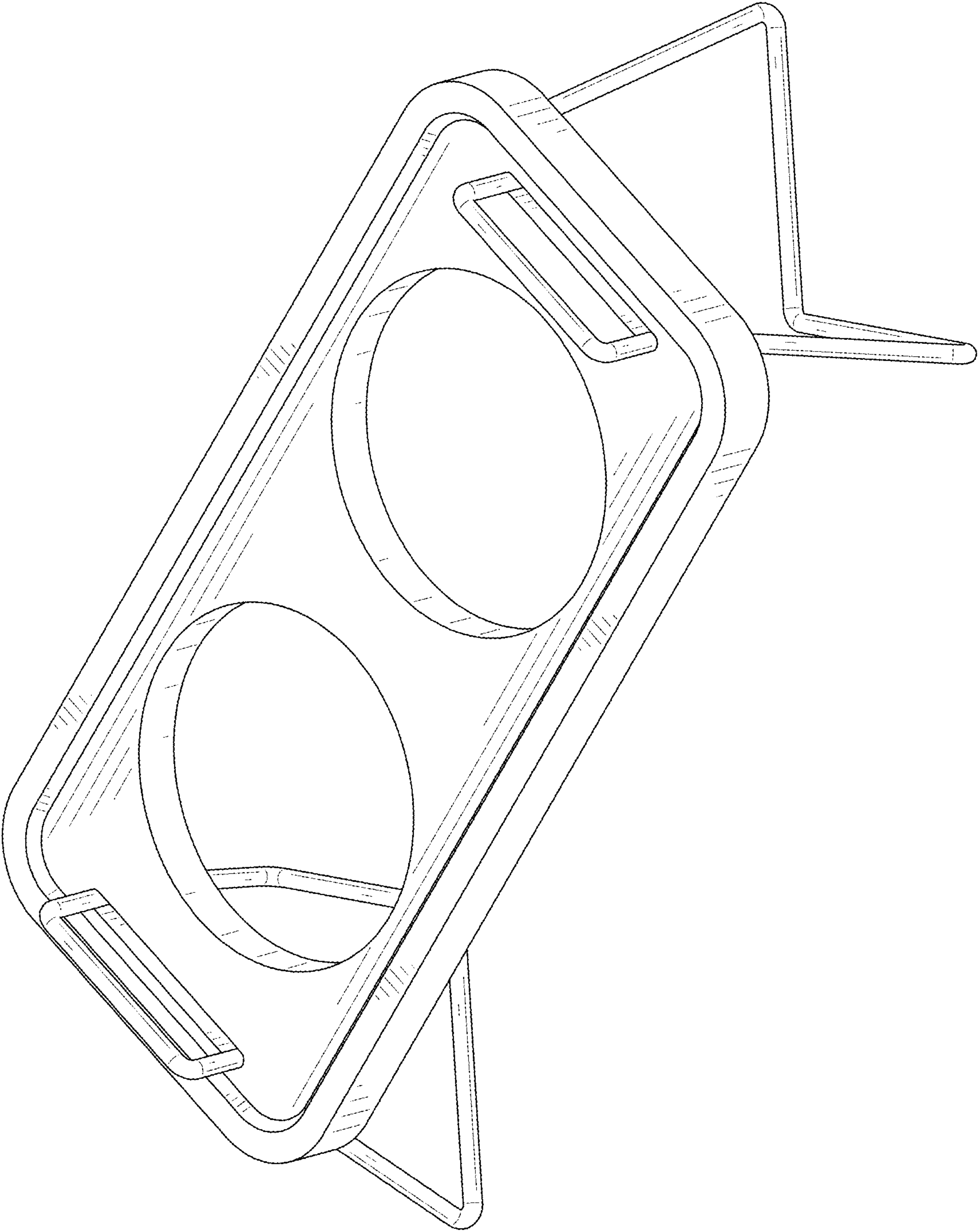


FIG. 1

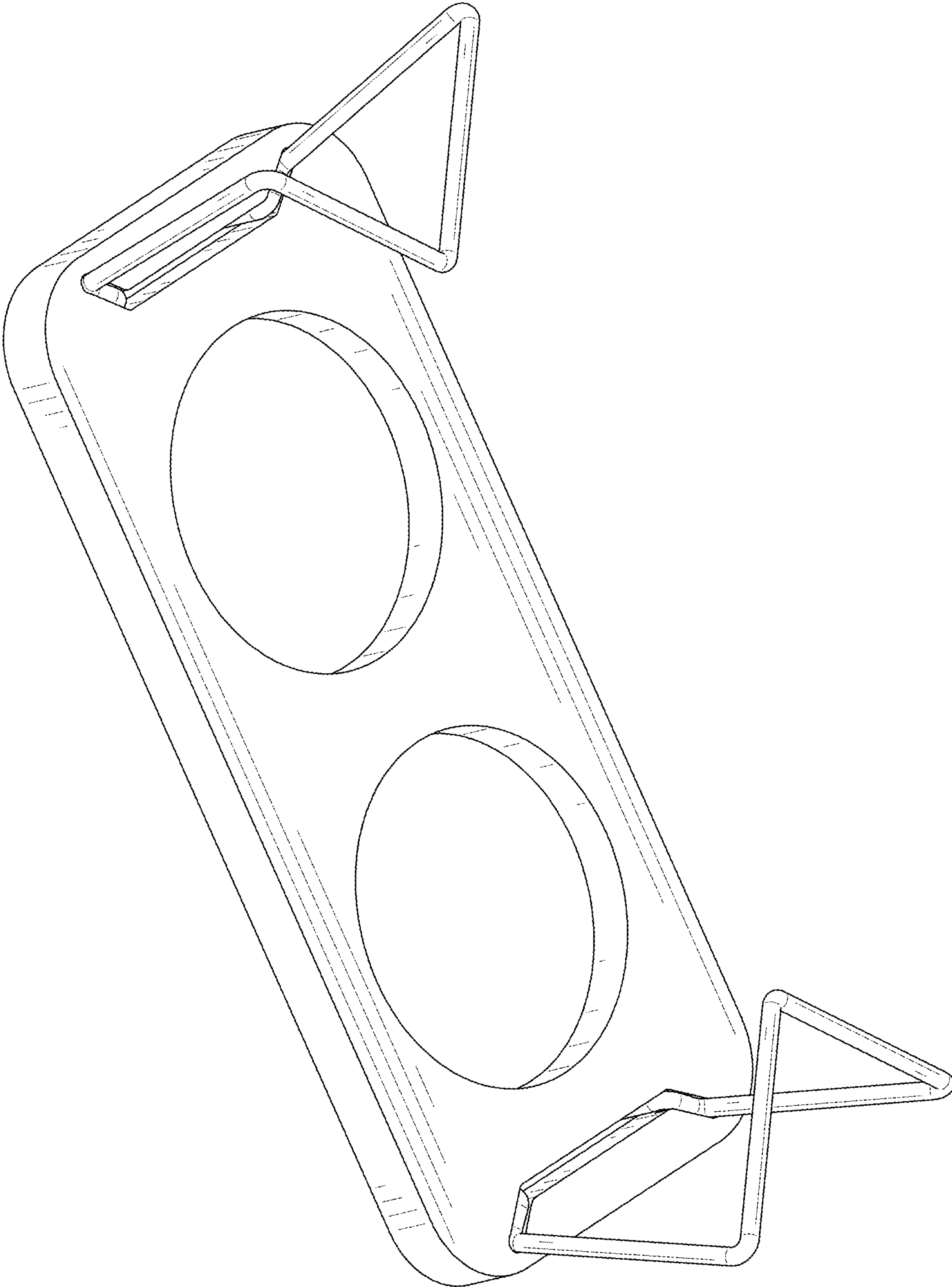


FIG. 2

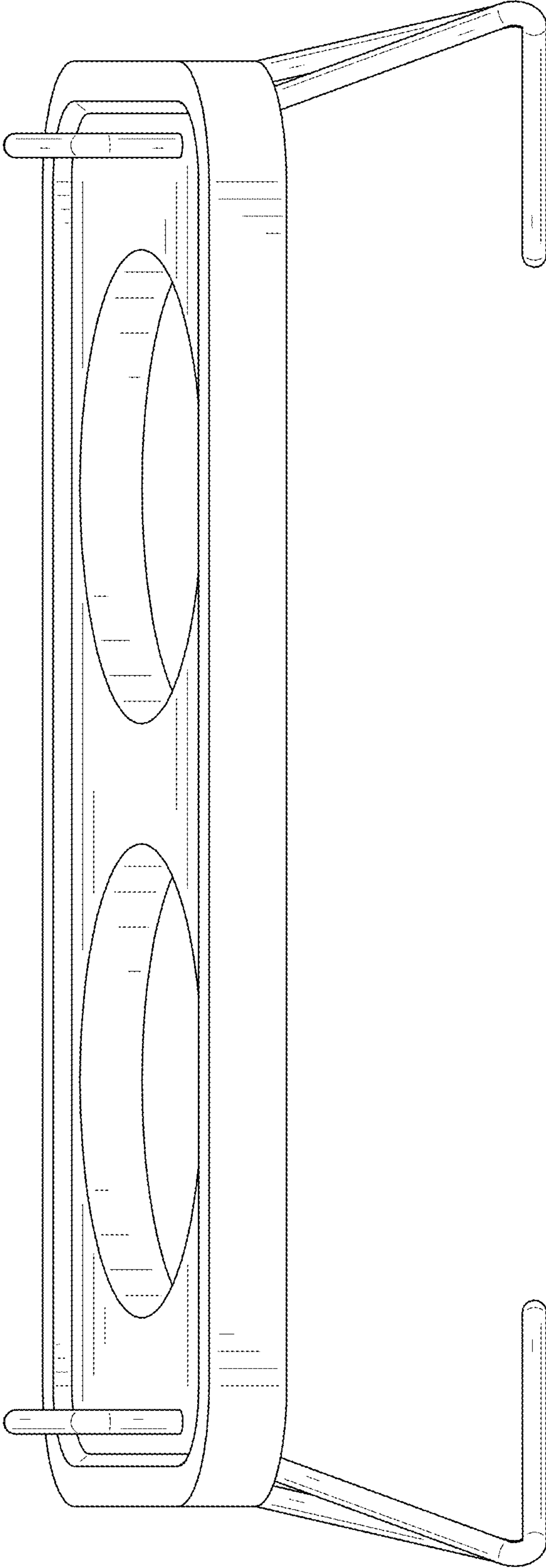


FIG. 3



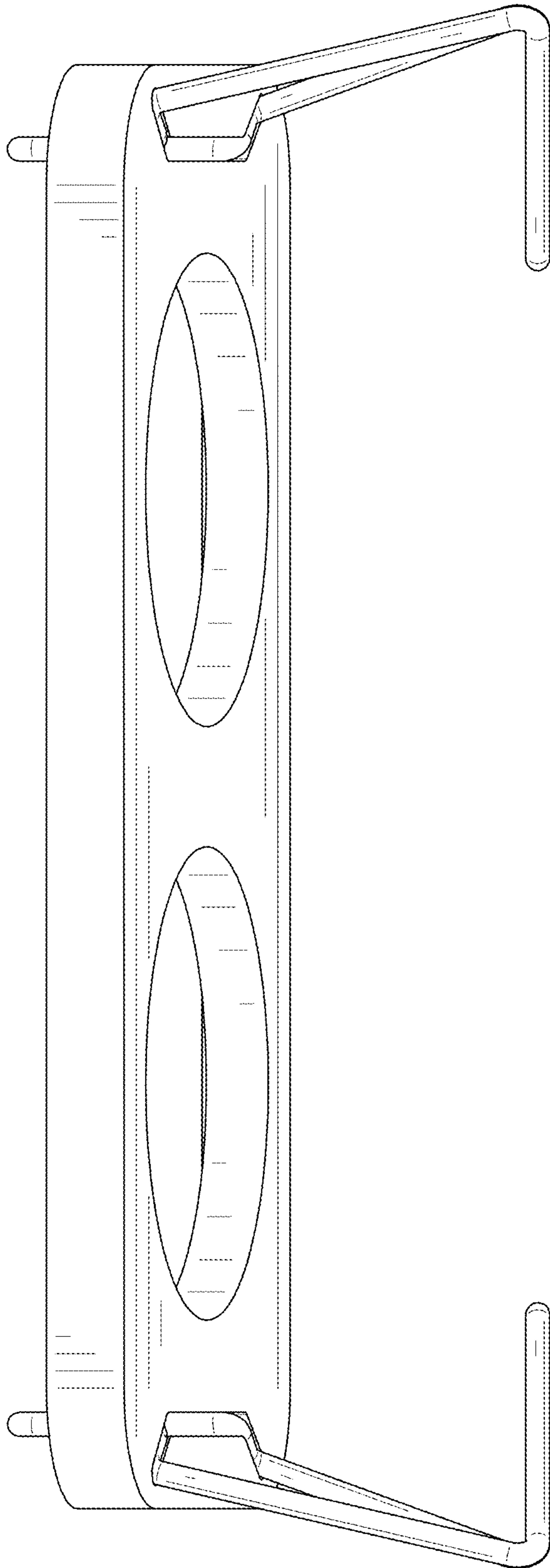


FIG. 4

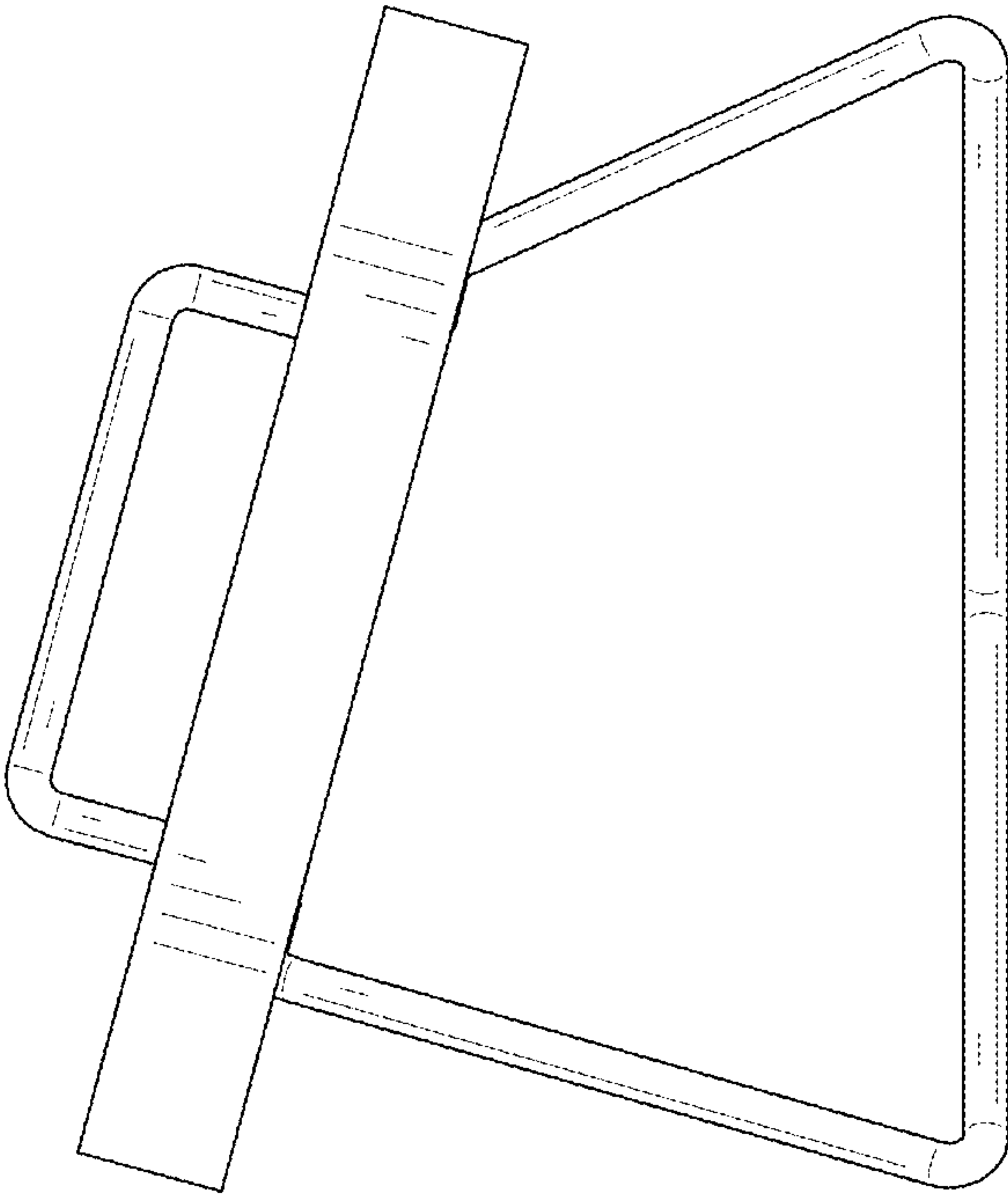


FIG. 5

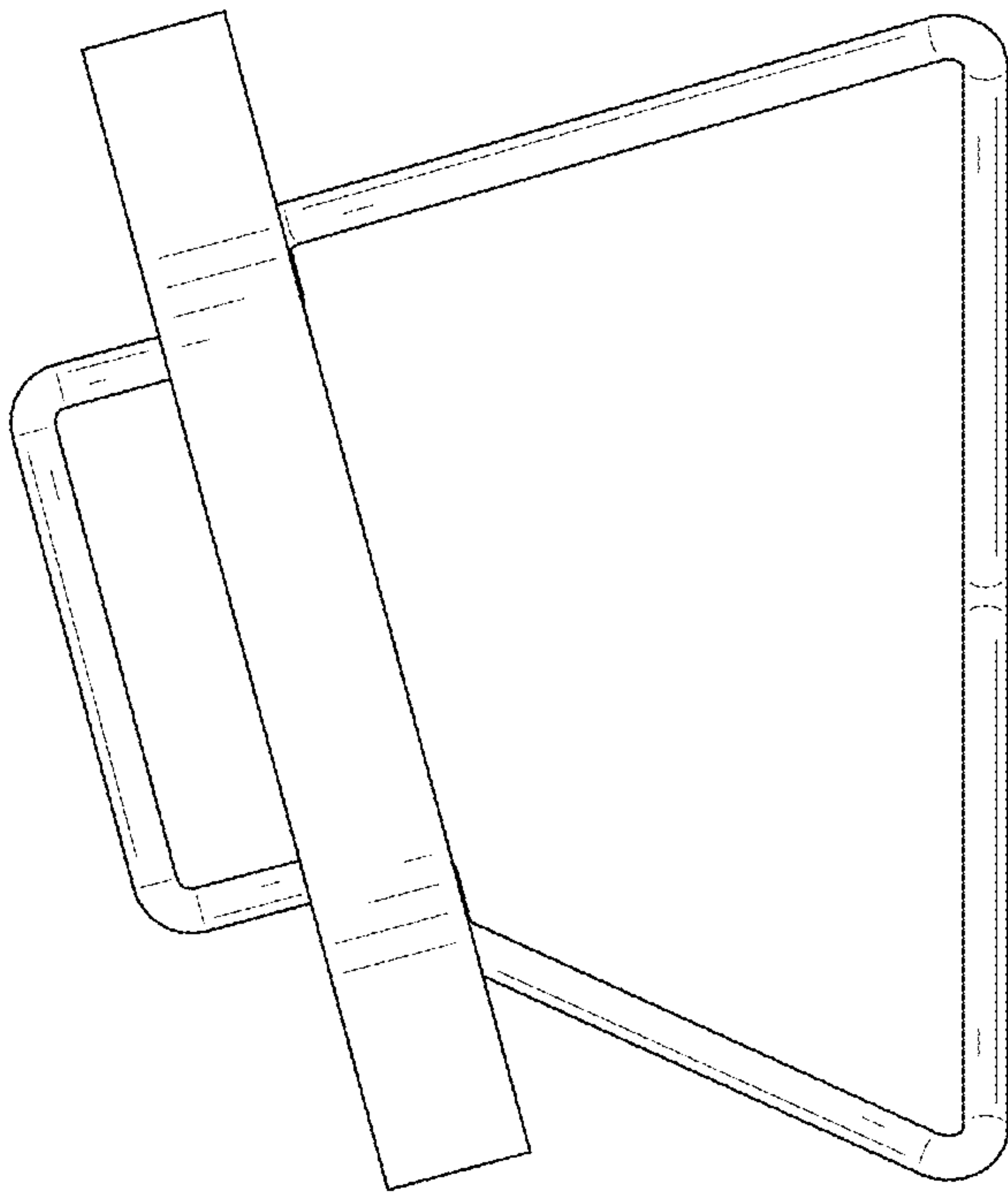


FIG. 6

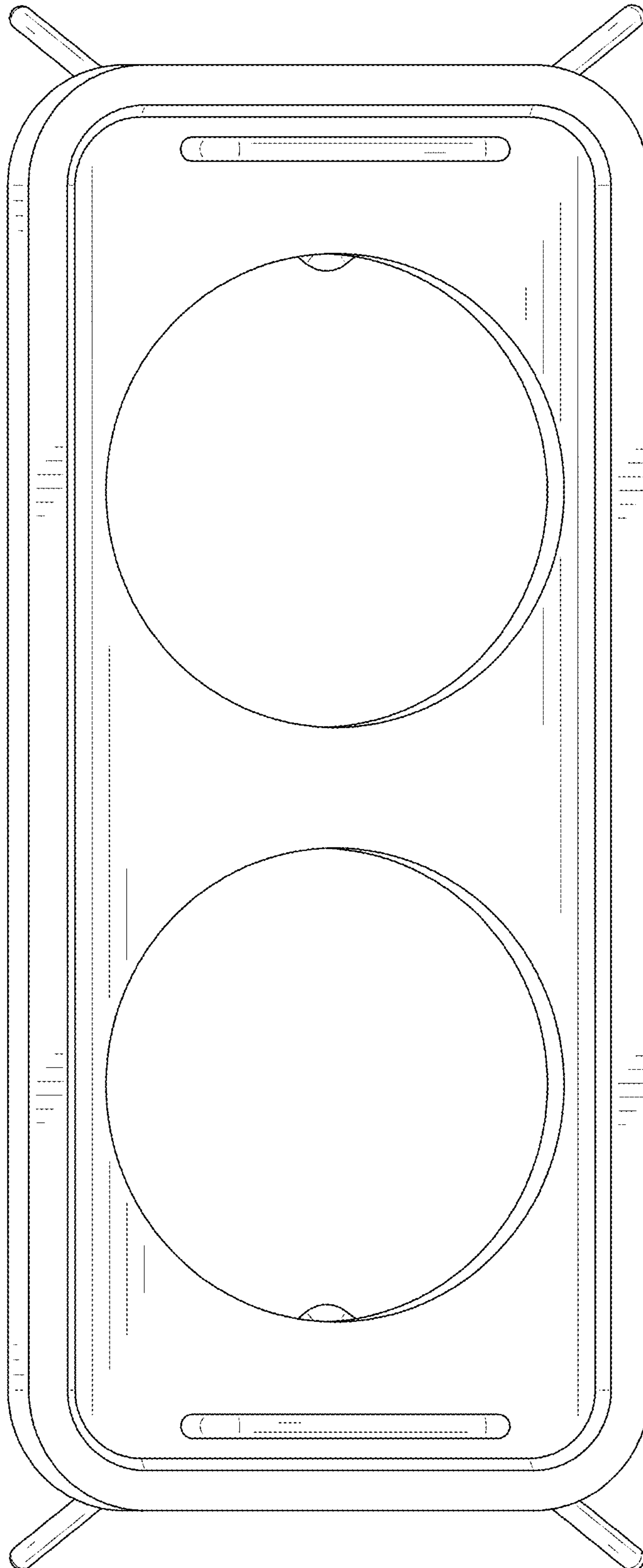


FIG. 7



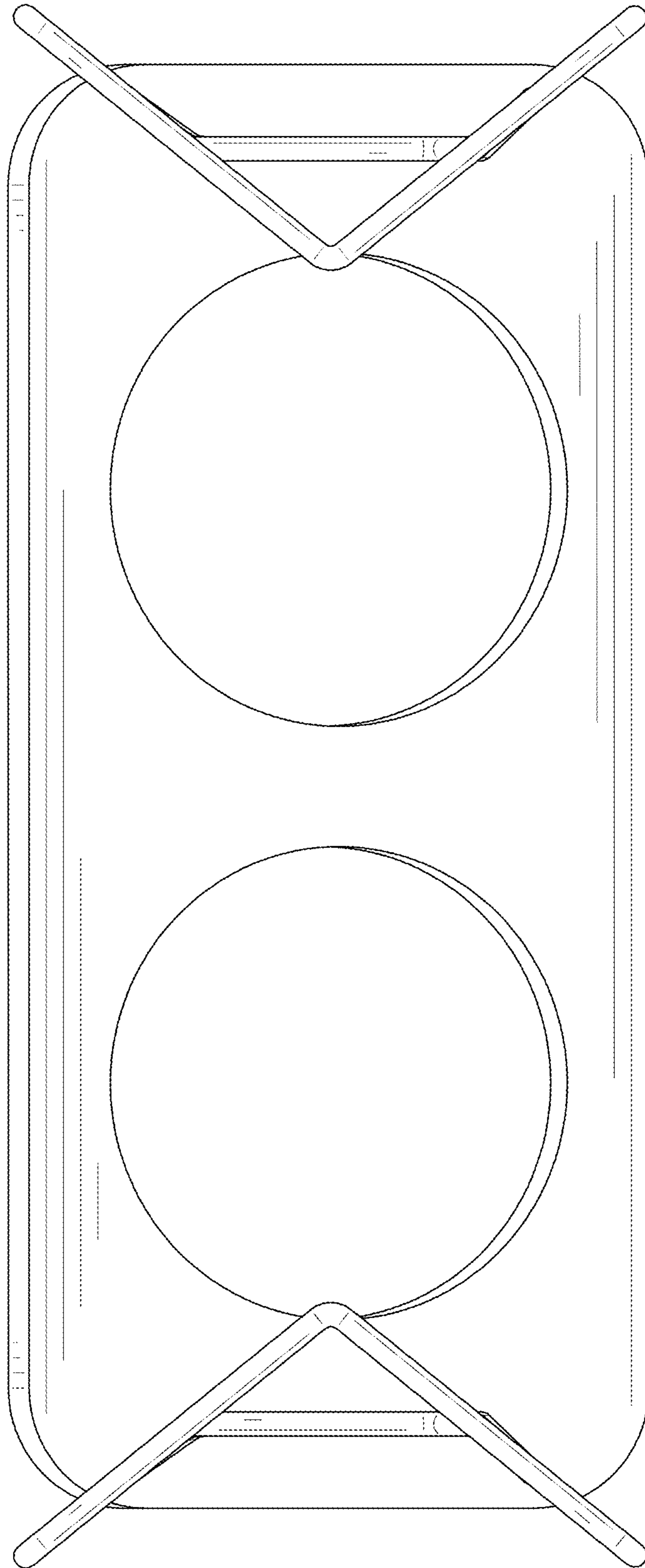


FIG. 8

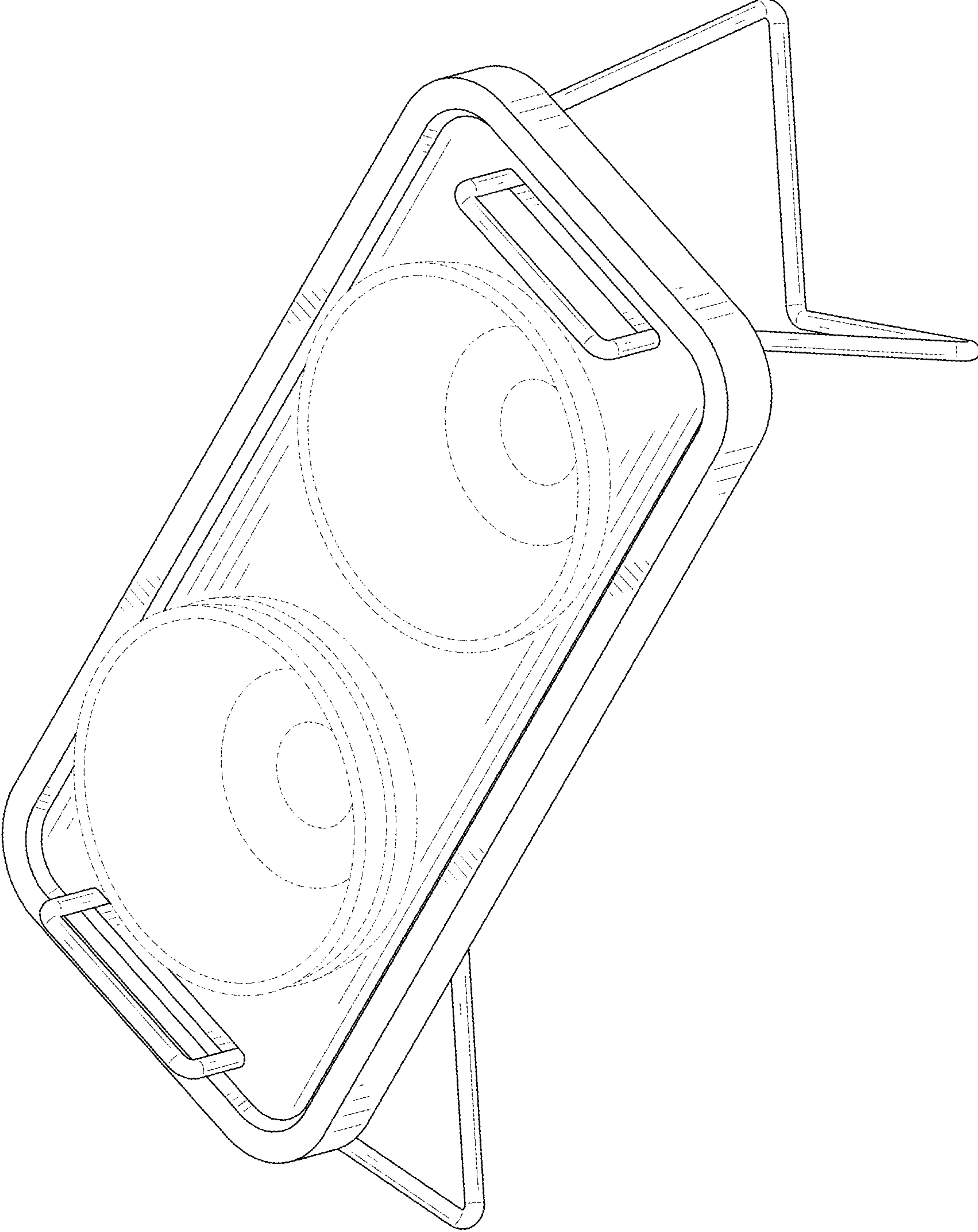


FIG. 9