



US00D919191S

(12) **United States Design Patent**
Blank

(10) **Patent No.:** **US D919,191 S**

(45) **Date of Patent:** **** May 11, 2021**

(54) **SYSTEM FOR DISPENSING CHEMICAL DETERRENTS**

(71) Applicant: **Bruce Edward Blank**, Middleton, RI (US)

(72) Inventor: **Bruce Edward Blank**, Middleton, RI (US)

(**) Term: **15 Years**

(21) Appl. No.: **29/724,547**

(22) Filed: **Feb. 17, 2020**

Related U.S. Application Data

(63) Continuation-in-part of application No. 16/542,155, filed on Aug. 15, 2019.

(51) **LOC (13) Cl.** **29-01**

(52) **U.S. Cl.**
USPC **D29/125**

(58) **Field of Classification Search**
USPC D29/125, 126, 129, 130, 128;
D10/104.1, 106.3, 106.6, 106.9, 114.6,
D10/114.7

CPC .. A62C 2/00; A62C 8/00; A62C 15/00; A62C 13/64; A62C 13/76; A62C 13/78; A62C 11/00; A62C 13/00; A62C 25/00; F41H 9/00; F41H 9/04; F41H 9/06; B05B 9/035; B05B 9/04; F17C 2205/013

See application file for complete search history.

(56) **References Cited**

U.S. PATENT DOCUMENTS

D127,577 S * 6/1941 Bishop et al. D29/126
3,403,818 A * 10/1968 Enssle B05B 9/0403
222/23

3,844,449 A * 10/1974 Alter F41H 9/10
222/175
D244,578 S * 6/1977 Avant D29/126
D591,910 S * 5/2009 Rodriguez D29/125
9,140,526 B1 * 9/2015 Calvert F41B 9/0096
D813,673 S * 3/2018 Kronebusch D9/500
2014/0042242 A1 * 2/2014 Fritze B05B 12/1436
239/95
2017/0108313 A1 * 4/2017 Chang F41H 9/04
2020/0225008 A1 * 7/2020 Rankin, Sr. F41H 9/00
2021/0055081 A1 * 2/2021 Blank F41H 9/00

* cited by examiner

Primary Examiner — Kimberly Barnes

(57) **CLAIM**

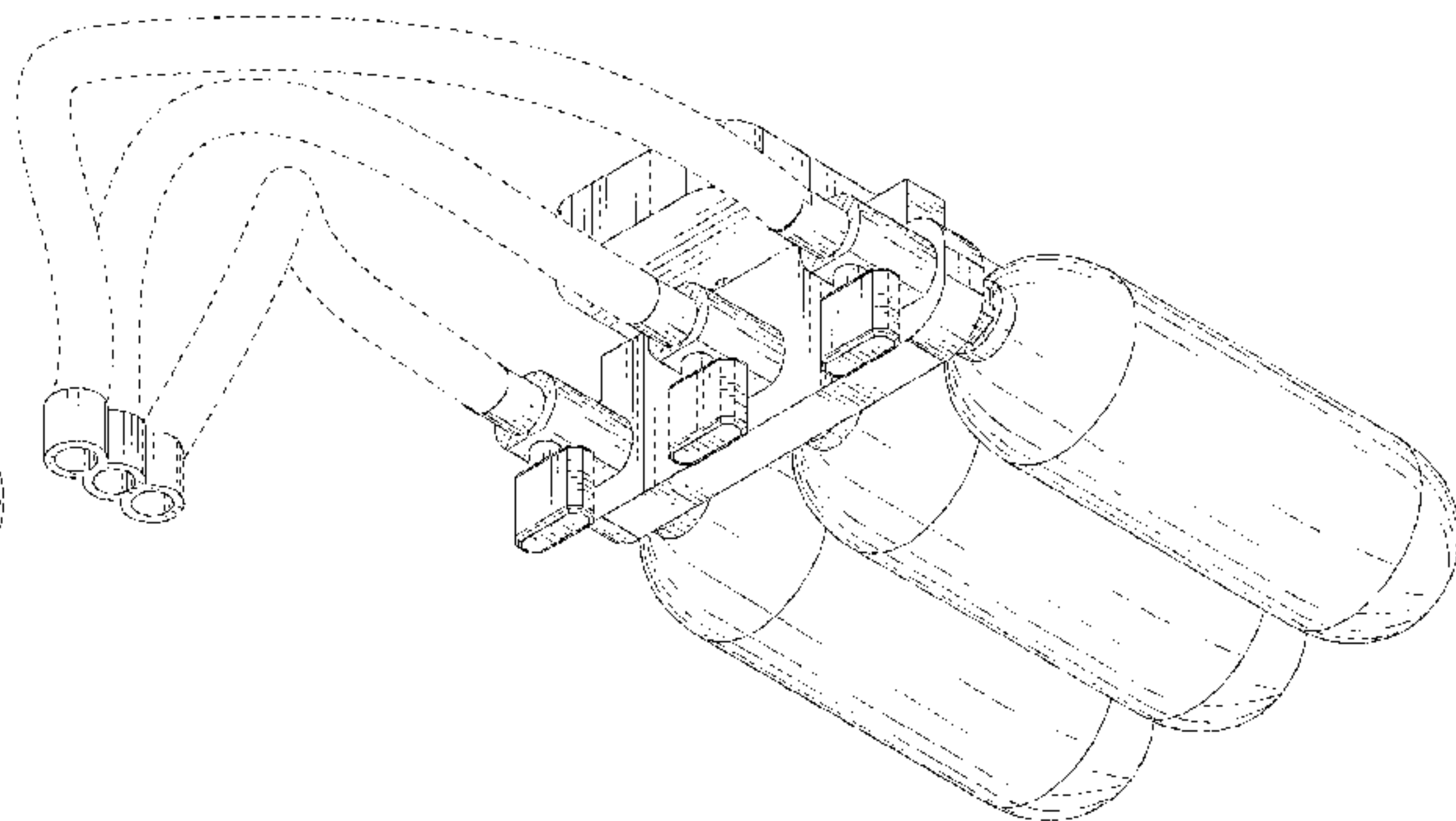
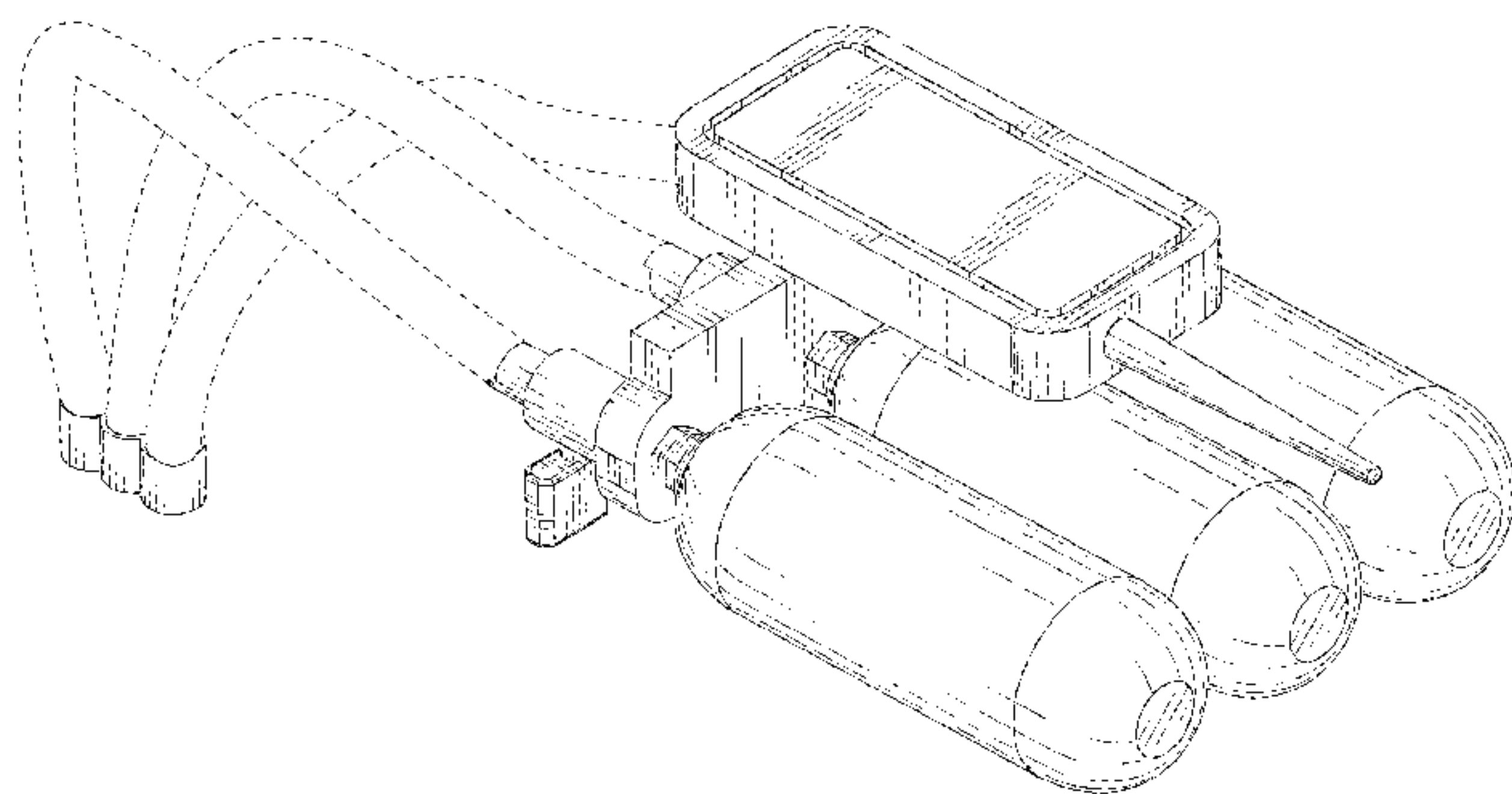
The ornamental design for a system for dispensing chemical deterrents, as shown and described.

DESCRIPTION

FIG. 1 is a front top left perspective view of a system for dispensing chemical deterrents showing my new design; FIG. 2 is a front top right perspective view thereof; FIG. 3 is a front bottom left perspective view thereof; FIG. 4 is a front elevational view thereof; FIG. 5 is a back elevational view thereof; FIG. 6 is a top plan view thereof; FIG. 7 is a bottom plan view thereof; FIG. 8 is a right elevational view thereof; and, FIG. 9 is a left elevational view thereof.

The broken line showing of the tubes in FIGS. 1 through 9 is included for the purpose of showing environmental structure and forms no part of the claimed design.

1 Claim, 9 Drawing Sheets



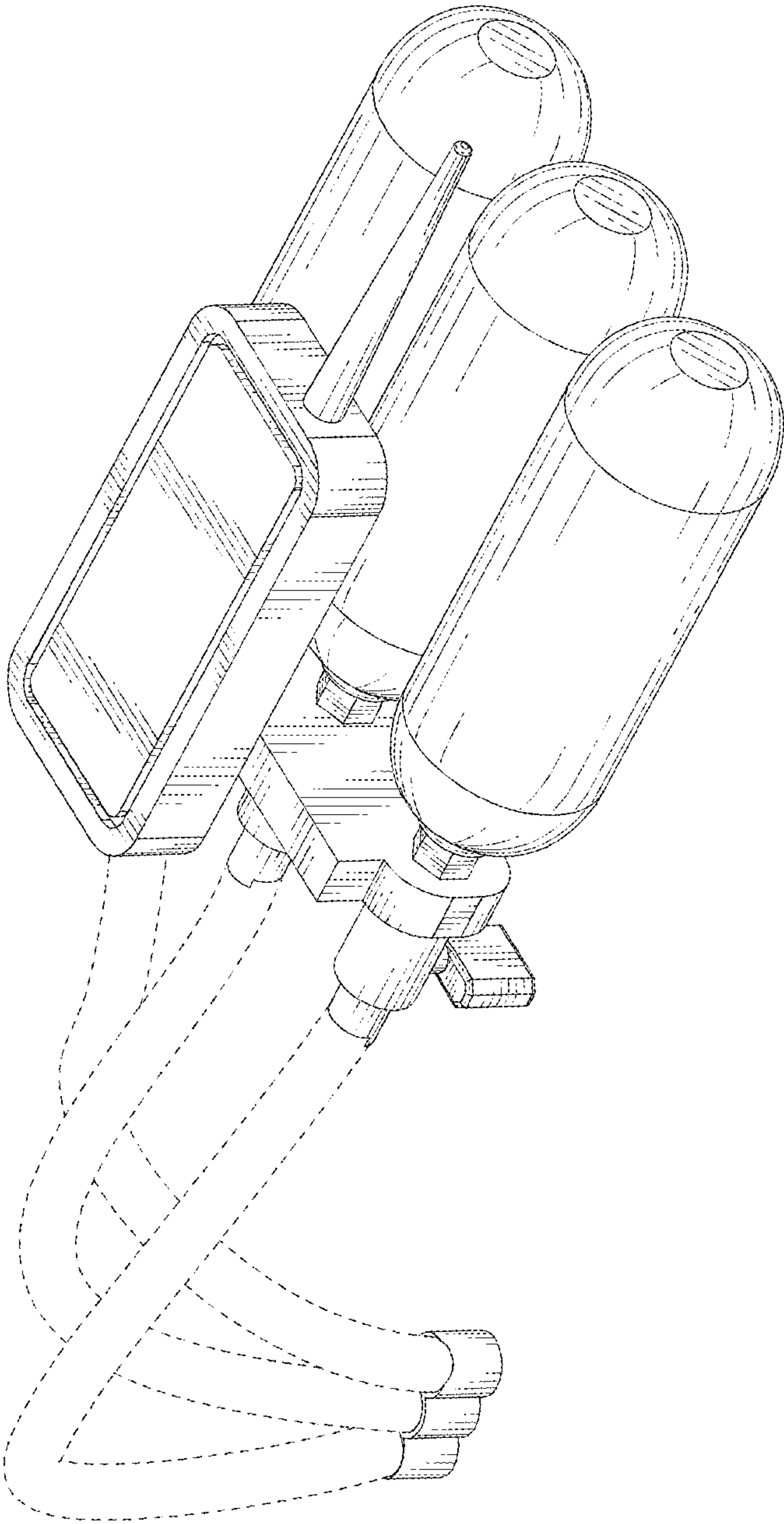


FIG. 1

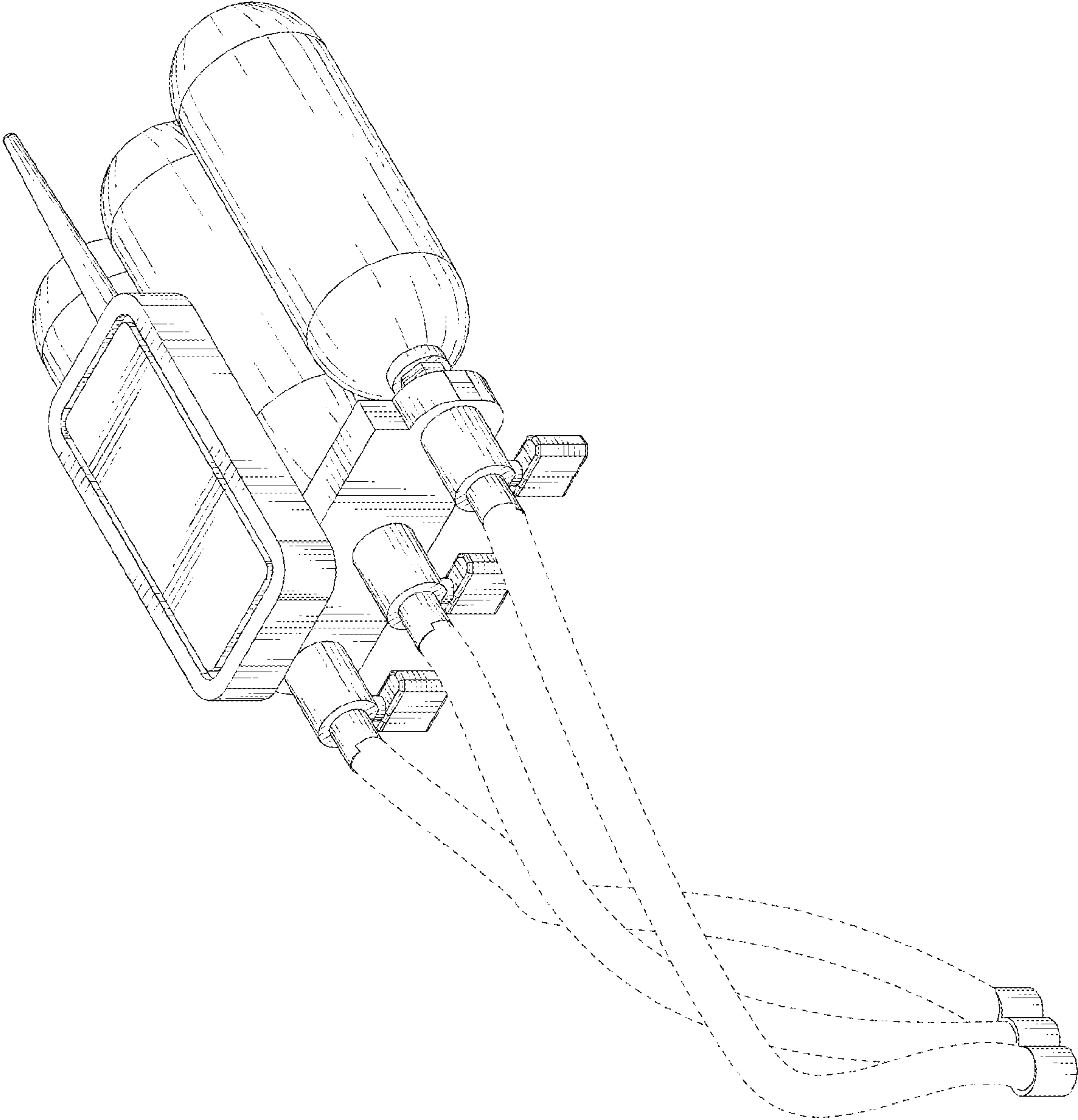


FIG. 2

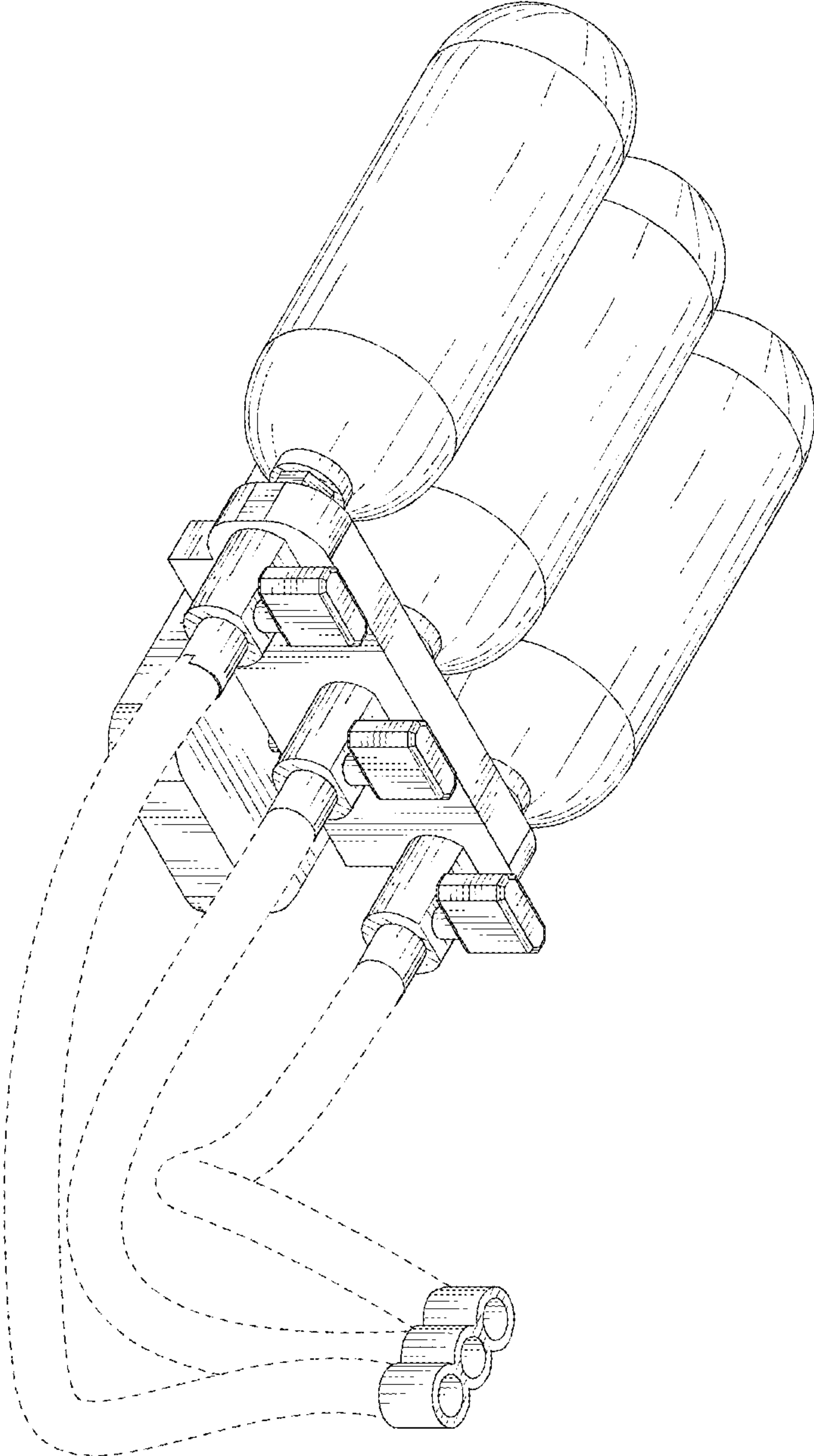


FIG. 3

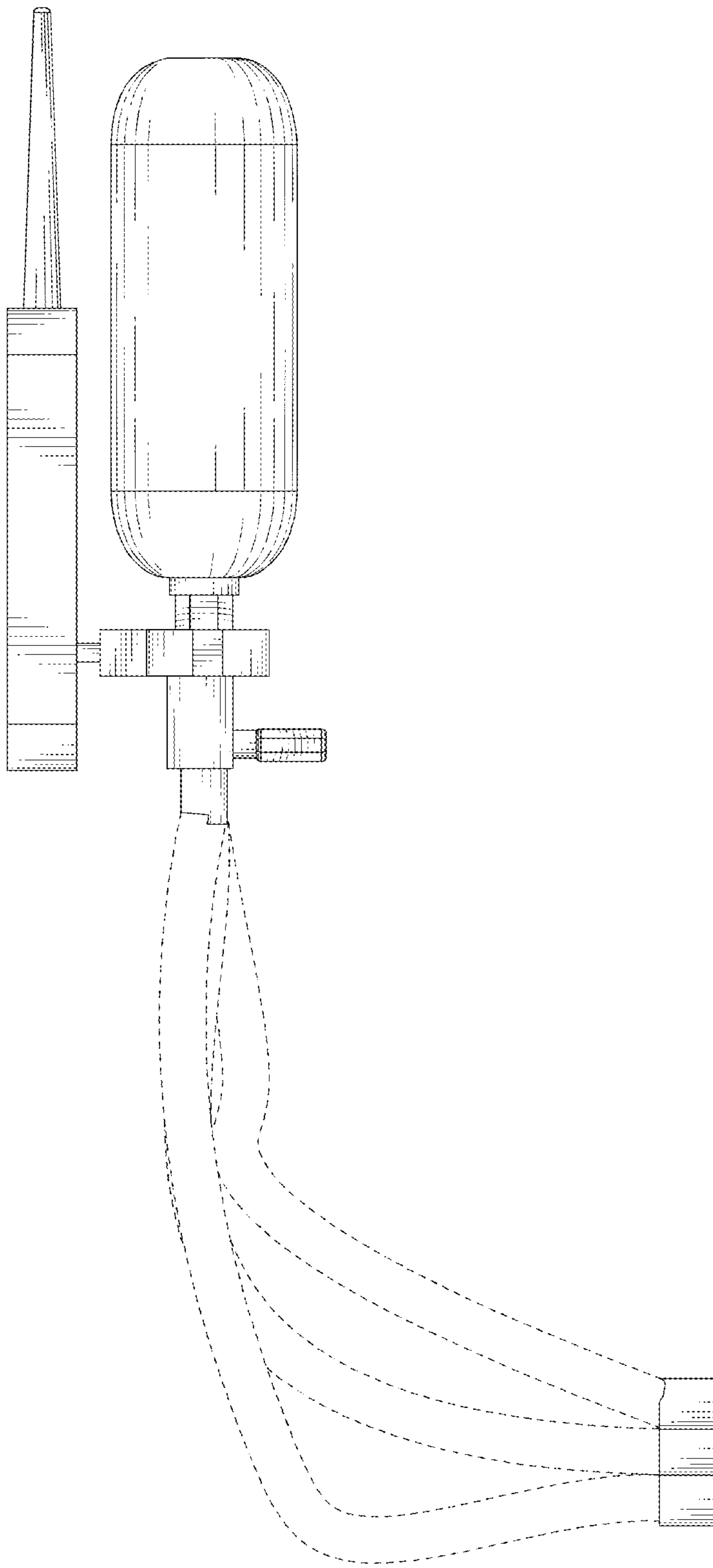


FIG. 4

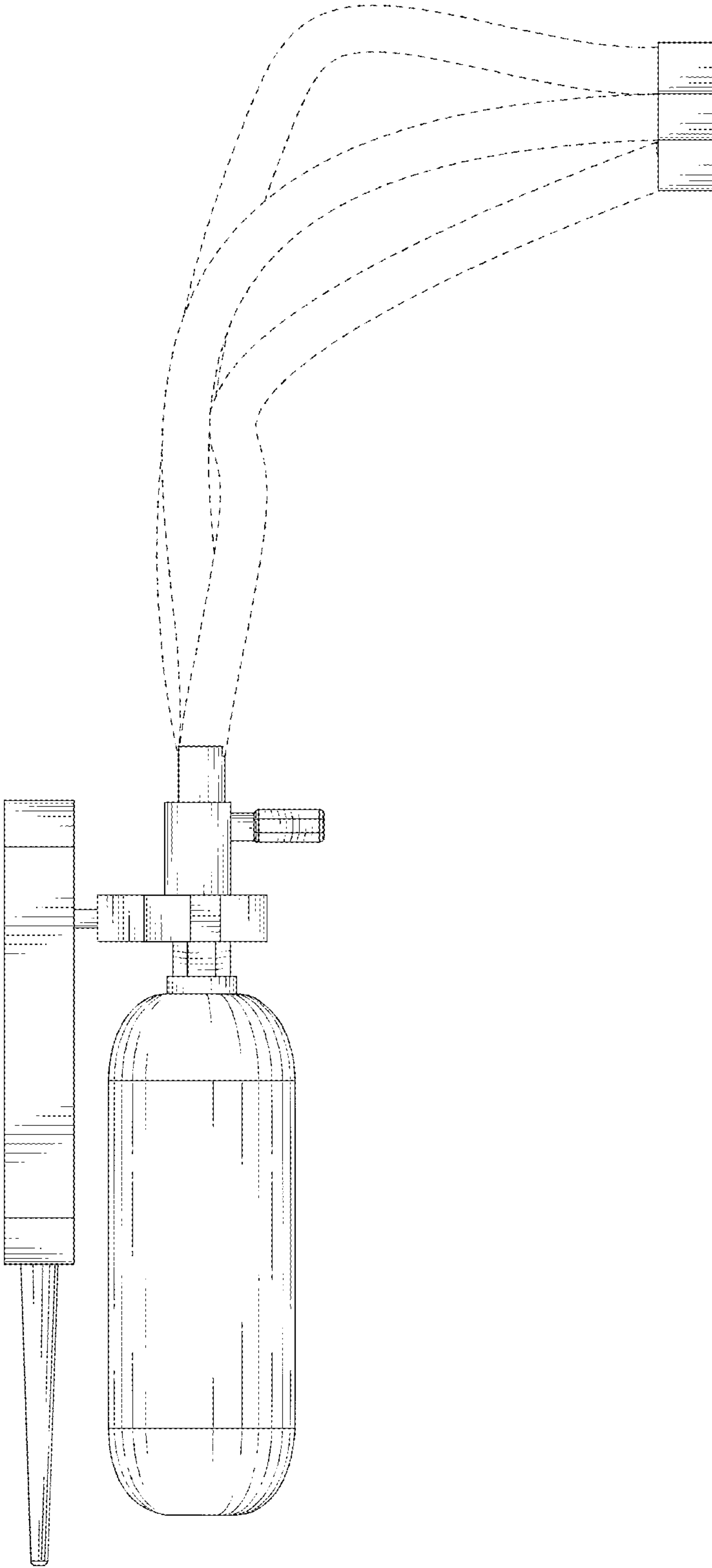


FIG. 5

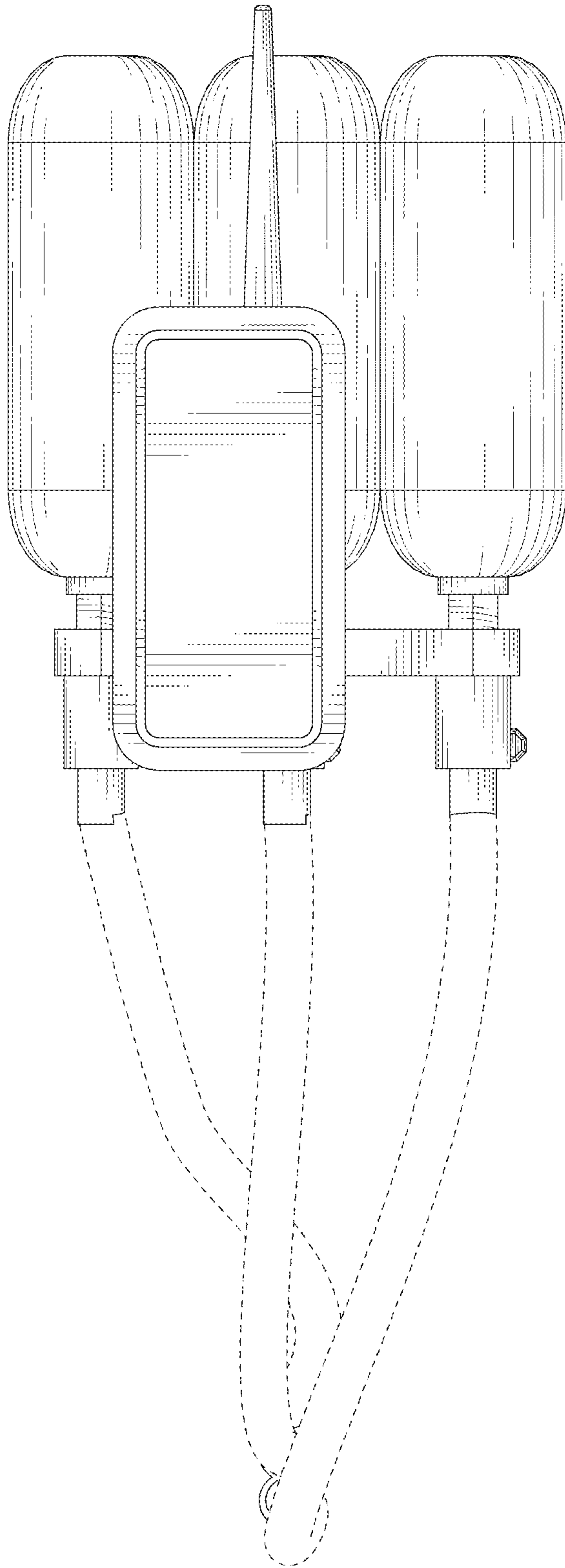


FIG. 6

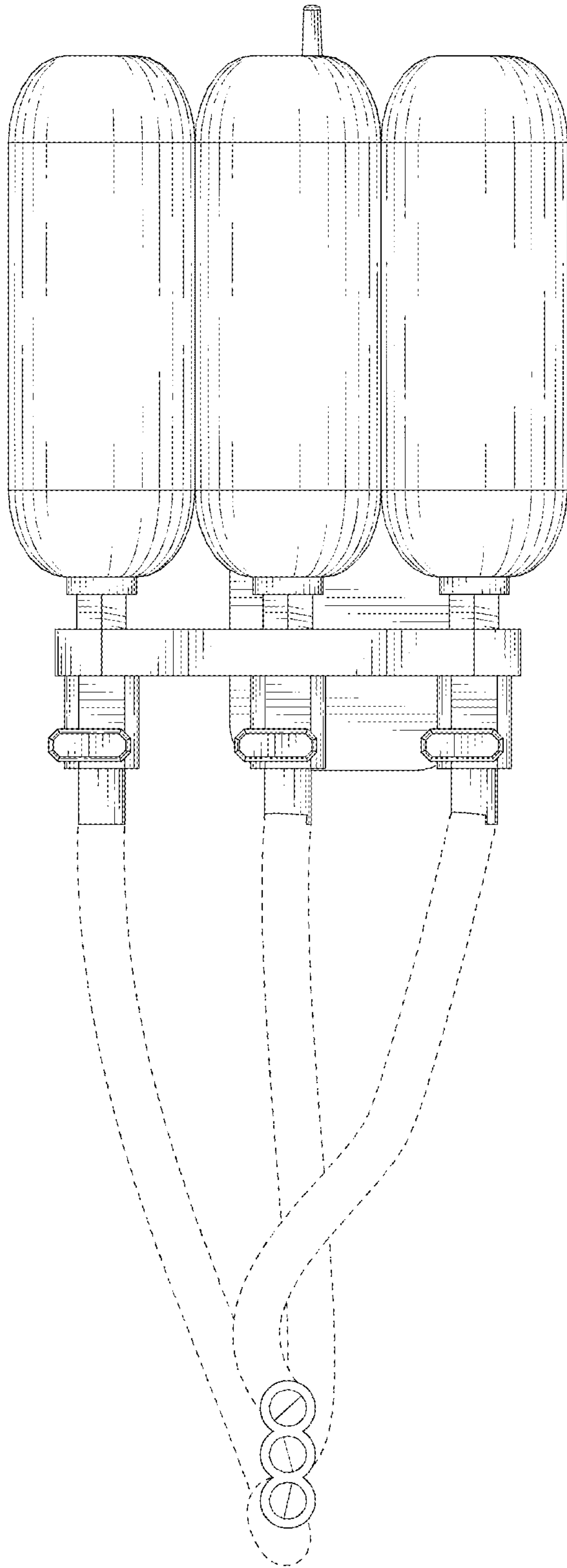


FIG. 7

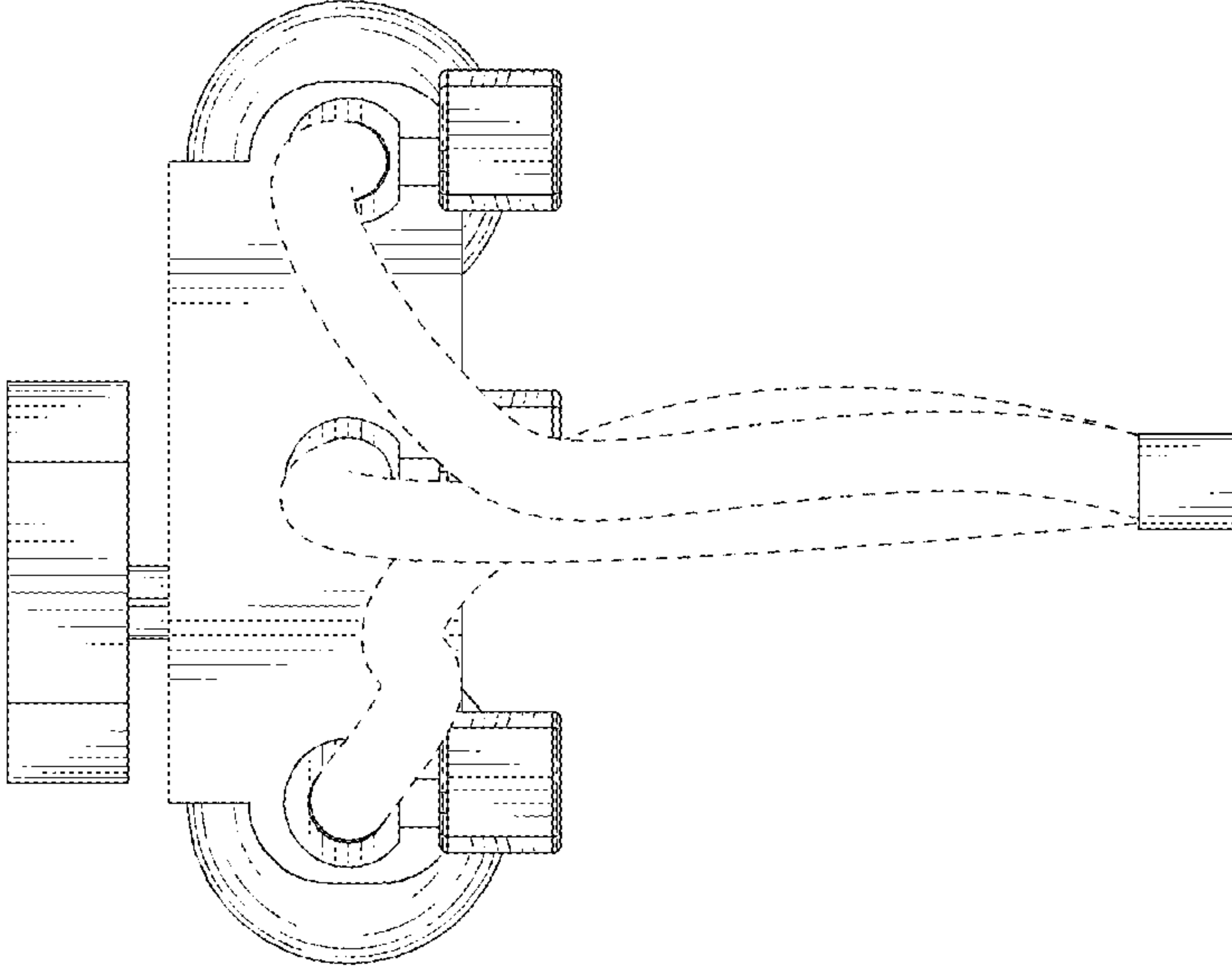


FIG. 8

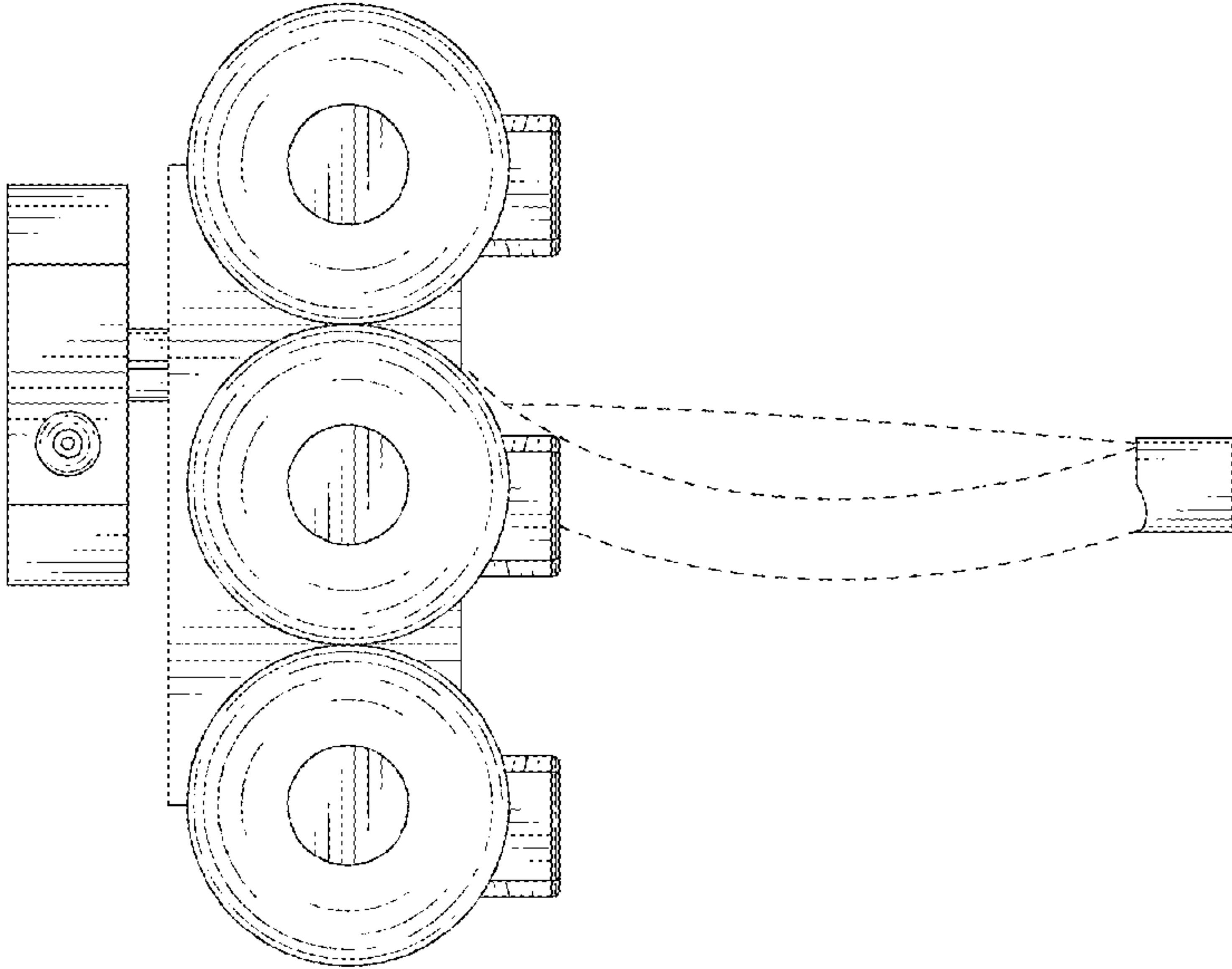


FIG. 9