



US00D919190S

(12) **United States Design Patent**
Hall et al.

(10) **Patent No.:** **US D919,190 S**
(45) **Date of Patent:** **** May 11, 2021**

(54) **MANDIBLE GUARD**

FOREIGN PATENT DOCUMENTS

(71) Applicant: **GALVION Ltd.**, Portsmouth, NH (US)

CN 3026842 D 8/1994
CN 3224454 D 2/2002

(72) Inventors: **Edward R. Hall**, Starksboro, VT (US);
Stéphane Lebel, St. Redempteur (CA);
Dominic Giroux Bernier, St-Gabriel
De Brandon (CA); **Bastien Jourde**,
Montréal (CA); **Philippe Lefebvre**,
Montréal (CA); **Hugues Rivest**,
Montréal (CA)

(Continued)

OTHER PUBLICATIONS

Caiman Accessories Modular components & accessories specially
designed for Caiman helmets, https://cdn.shopify.com/s/files/1/0236/5692/3182/files/REV2379_CAIMAN_Accessories_v9.pdf?16406, Jul.
2018 (Year: 2018).*

(Continued)

(73) Assignee: **Galvion Ltd.**, Portsmouth, NH (US)

Primary Examiner — Elizabeth J Oswecki

(**) Term: **15 Years**

(74) *Attorney, Agent, or Firm* — Wolf, Greenfield &
Sacks, P.C.

(21) Appl. No.: **29/722,204**

(57) **CLAIM**

(22) Filed: **Jan. 27, 2020**

The ornamental design for a mandible guard, as shown and
described.

Related U.S. Application Data

DESCRIPTION

(60) Continuation of application No. 29/638,268, filed on
Feb. 26, 2018, now Pat. No. Des. 874,068, which is
(Continued)

(51) **LOC (13) Cl.** **29-02**

(52) **U.S. Cl.**
USPC **D29/122**

(58) **Field of Classification Search**
USPC D29/100, 102, 106, 108, 110, 122;
D2/865, 880, 881; 2/455, 456, 410, 7, 8,
(Continued)

FIG. 1 is a top, front, right side perspective view of a
mandible guard showing our new design;
FIG. 2 is a front elevation view thereof;
FIG. 3 is a rear elevation view thereof;
FIG. 4 is a left side elevation view thereof;
FIG. 5 is a right side elevation view thereof;
FIG. 6 is a top plan view thereof; and,
FIG. 7 is a bottom plan view thereof.

The broken lines illustrate portions of the mandible guard
that form no part of the claimed design. The surface area
between the left-side inner broken lines and the adjacent
left-side slanted solid line quadrilateral in FIGS. 1, 2 and 4-7
forms no part of the claimed design. The surface area
between the right-side inner broken lines and the adjacent
right-side slanted solid line quadrilateral in FIGS. 1, 2 and
4-7 forms no part of the claimed design.

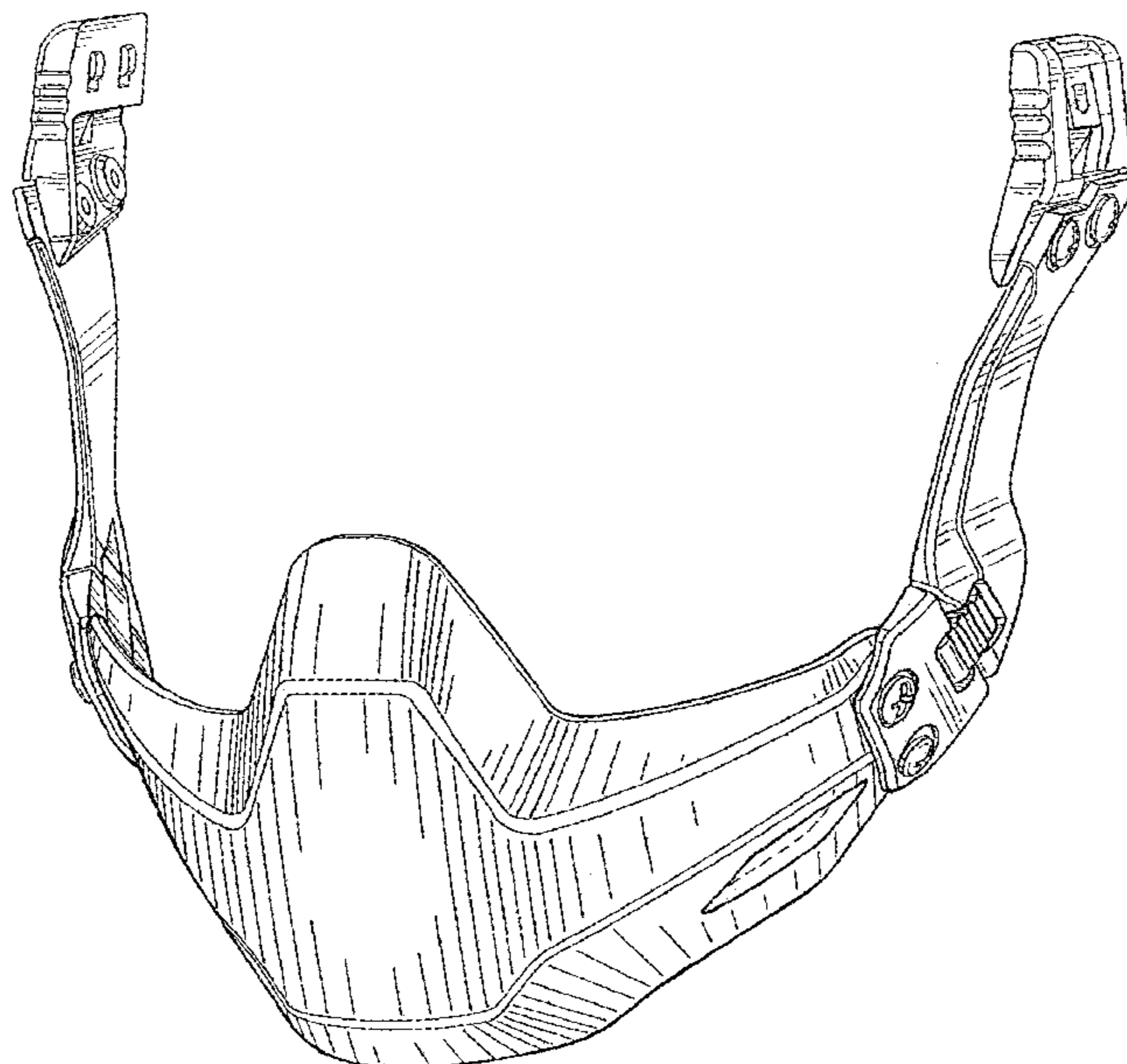
(56) **References Cited**

U.S. PATENT DOCUMENTS

D229,127 S 11/1973 Franklin et al.
3,886,596 A 6/1975 Franklin et al.

(Continued)

1 Claim, 6 Drawing Sheets



Related U.S. Application Data

a division of application No. 29/579,739, filed on Oct. 3, 2016, now Pat. No. Des. 814,707.

(58) **Field of Classification Search**

USPC 2/2, 424, 425, 9, 468, 171, 205, 206;
128/201.23, 857
CPC A41D 13/05; A41D 13/11; A41D 13/1107;
A41D 13/1161; A41D 13/113; A41D
13/1138; A41D 13/1146; A42B 3/18;
A42B 3/20; A42B 3/205; A42B 3/32;
A42B 3/326; A42B 3/00; A42B 3/04;
A42B 3/0406; A42B 3/08; A42B 3/085;
A42B 1/008; A61F 9/06; A63B 71/08;
A63B 71/085; A63B 71/10; A63B 71/12;
A63B 71/1291

See application file for complete search history.

(56) **References Cited**

U.S. PATENT DOCUMENTS

D243,127 S 1/1977 Farquharson
D243,128 S 1/1977 Morgan
D246,012 S 10/1977 Minette
4,250,577 A 2/1981 Smith
5,003,632 A 4/1991 Claude
D406,402 S 3/1999 Simpson
6,289,521 B1 9/2001 Ikeda
D499,213 S 11/2004 Lee
D526,092 S 8/2006 Egger et al.
D536,833 S 2/2007 Broersma
7,181,777 B2 * 2/2007 Choi A42B 3/222
2/424
D548,893 S * 8/2007 Hedge D29/122
D556,386 S 11/2007 Lee
D560,315 S 1/2008 Wong
D584,010 S * 12/2008 Fernandes D29/122
D587,858 S * 3/2009 Brace D29/122
D592,811 S * 5/2009 Juhlin D29/122
D597,260 S * 7/2009 Brace D29/122
D602,648 S * 10/2009 Isobe D29/122
D612,544 S * 3/2010 Brace D29/122
D632,439 S * 2/2011 Lebel D29/122
D632,440 S * 2/2011 Lebel D29/122
7,908,667 B2 3/2011 Rogers et al.
D638,168 S * 5/2011 Lebel D29/107
D638,172 S * 5/2011 Lebel D29/122
D657,497 S 4/2012 Schiebl
D659,291 S * 5/2012 Richard D29/122
D672,683 S 12/2012 Klotz et al.
D674,560 S 1/2013 Klotz et al.
D684,320 S 6/2013 Mateu Codina
D687,190 S * 7/2013 Isobe D29/122
D692,189 S * 10/2013 Isobe D29/122
D701,002 S * 3/2014 Lebel D29/122
D703,874 S * 4/2014 Lebel D29/122
D709,653 S * 7/2014 Lebel D29/122
D711,051 S * 8/2014 Noordzij D29/122
8,793,816 B2 8/2014 Emrich et al.
D715,005 S 10/2014 Schiebl
D724,791 S * 3/2015 Cram A42B 3/32
D29/122
D738,049 S * 9/2015 Gee D29/122

D740,496 S * 10/2015 Noordzij D29/122
D747,560 S * 1/2016 Daniels D29/122
D748,347 S 1/2016 Noordzij et al.
D749,796 S * 2/2016 Barmore D29/122
D767,214 S * 9/2016 Shida D29/122
D768,940 S * 10/2016 Steffens D29/122
D781,506 S * 3/2017 Lebel D29/122
9,700,096 B2 7/2017 McGinn et al.
D795,502 S * 8/2017 Lebel D29/122
9,788,593 B2 10/2017 Lebel et al.
D814,707 S 4/2018 Hall et al.
D822,289 S * 7/2018 O'Connell D29/122
D827,938 S * 9/2018 Lebel D29/122
D834,762 S * 11/2018 Berggren D29/122
D840,113 S * 2/2019 O'Connell D29/122
D850,014 S * 5/2019 O'Connell D29/122
D872,943 S 1/2020 Hall et al.
D874,068 S 1/2020 Hall et al.
2005/0015861 A1 1/2005 Gafforio
2006/0206995 A1 9/2006 Hong et al.
2007/0083967 A1 4/2007 Crossman et al.
2007/0124842 A1 6/2007 Nascimento et al.
2007/0250993 A1 11/2007 Schimpf
2009/0107514 A1 4/2009 Winningham
2009/0144872 A1 6/2009 Lebel et al.
2010/0064405 A1 3/2010 McGovern
2011/0033406 A1 2/2011 Finan et al.
2012/0117717 A1 5/2012 McGinn et al.
2012/0204331 A1 8/2012 Lebel et al.
2012/0317706 A1 12/2012 Lebel et al.
2014/0033406 A1 2/2014 Lebel et al.
2014/0075654 A1 3/2014 McGinn et al.
2015/0135417 A1 5/2015 Lebel et al.
2015/0342283 A1 12/2015 Lebel et al.

FOREIGN PATENT DOCUMENTS

CN 300874498 D 1/2009
CN 300898015 D 4/2009
CN 301525166 S 4/2011
CN 302024220 S 8/2012
CN 302224937 S 12/2012
CN 303121827 S 3/2015
CN 303279814 S 7/2015
CN 303798391 S 8/2016
JP D1302028 S 5/2007
JP D1556467 S 8/2016
KR 300346705 S 3/2004
KR 300837445 S 2/2016

OTHER PUBLICATIONS

U.S. Appl. No. 16/272,540, filed Feb. 11, 2019, Hall et al.
U.S. Appl. No. 15/284,504, filed Oct. 3, 2016, Hall et al.
[No Author Listed], Moto Visor & Mandible for Sentry Image. NFM Group. Accessed Sep. 30, 2016. Available at: <http://www.nfm.no/moto-visor--mandible-for-sentry,p.html>. 2 pages.
[No Author Listed], Moto Visor & Mandible for Sentry. NFM Group. Accessed Sep. 30, 2016. Available at: <http://www.nfm.no/moto-visor--mandible-for-sentry,p.html>. 2 pages.
[No Author Listed], System Capabilities. NFM Group. Accessed Sep. 30, 2016. Available at: <http://www.nfm.no/ops-core/system-capabilities.html>. 3 pages.

* cited by examiner

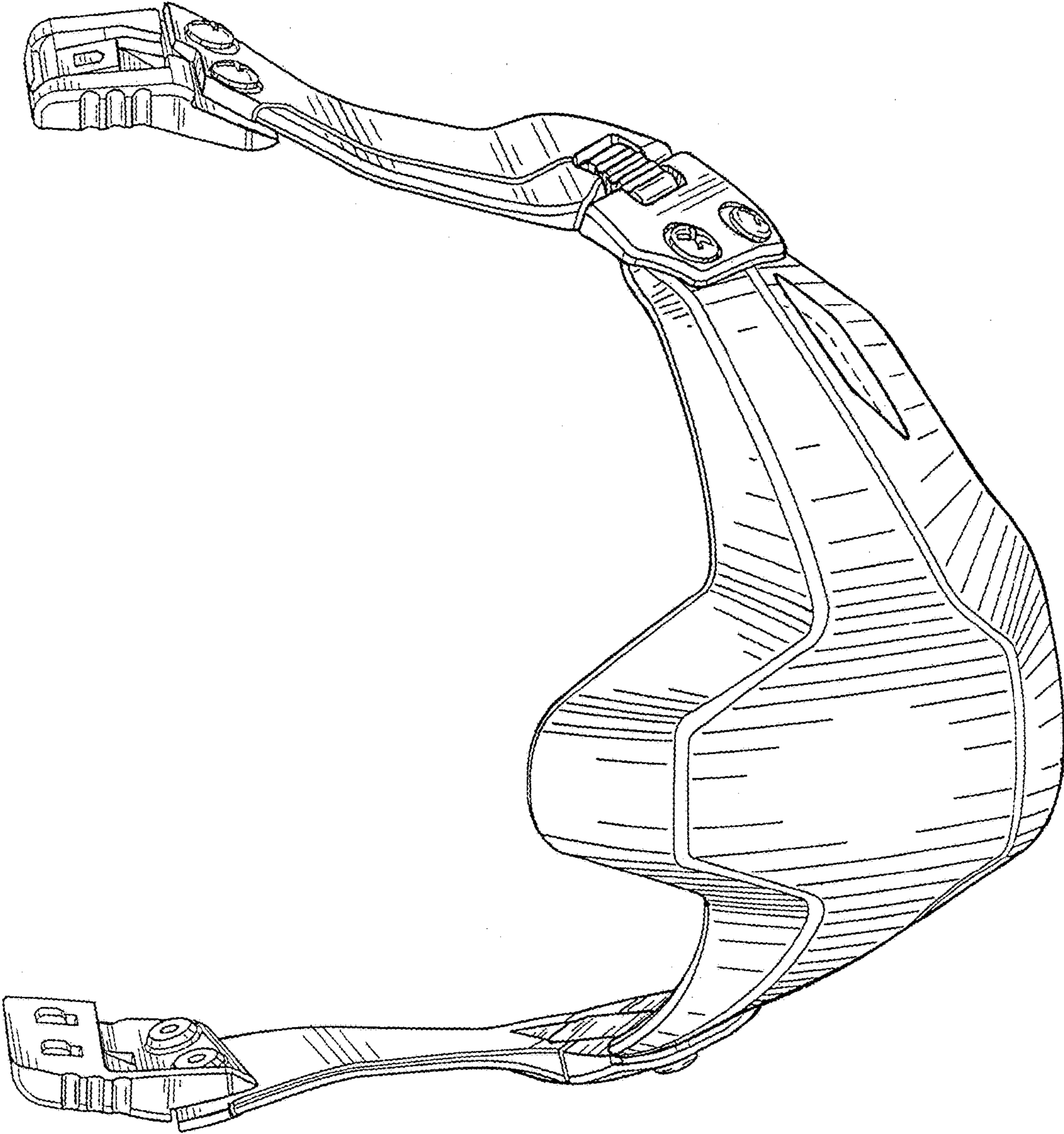


Fig. 1

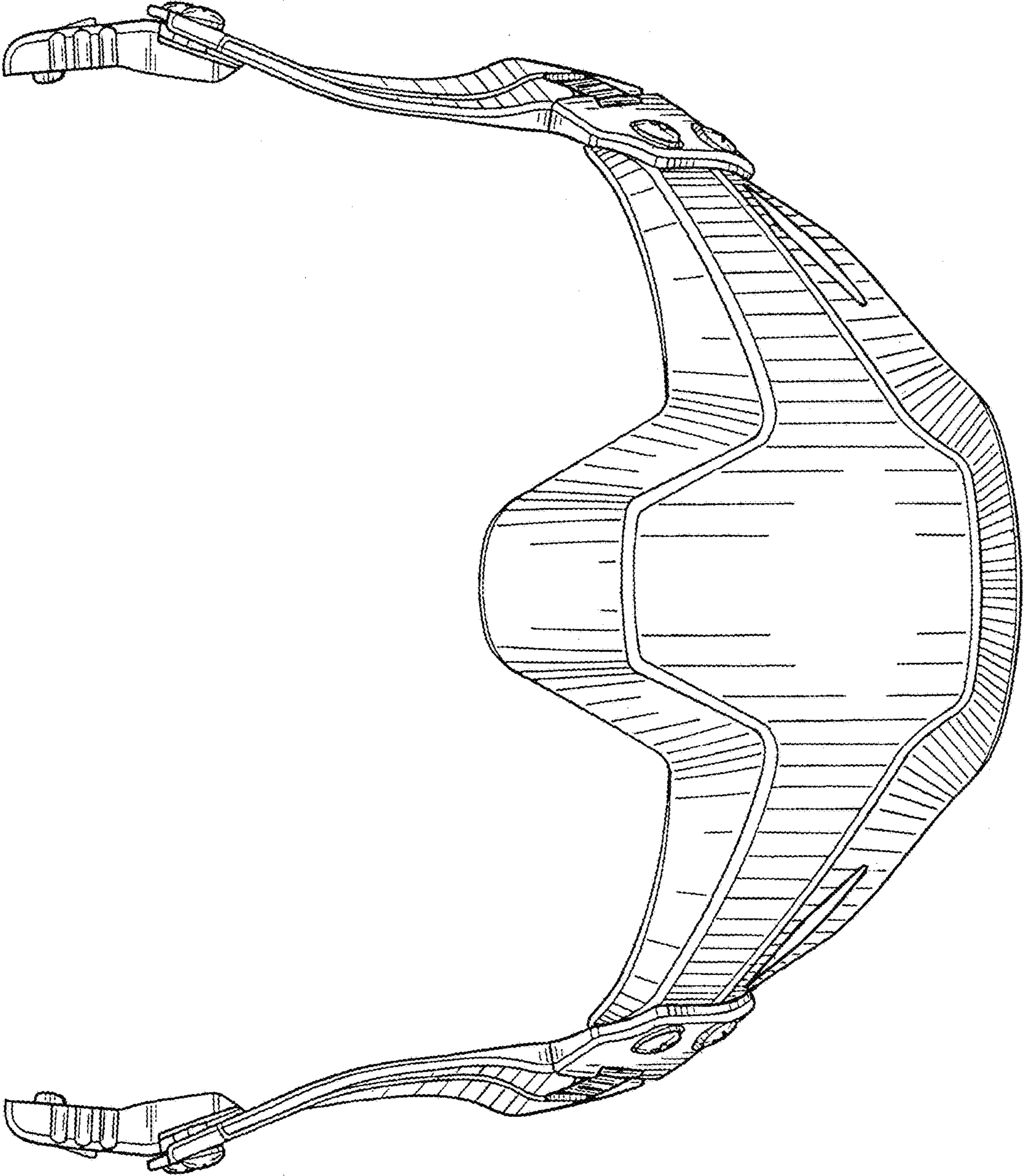


Fig. 2

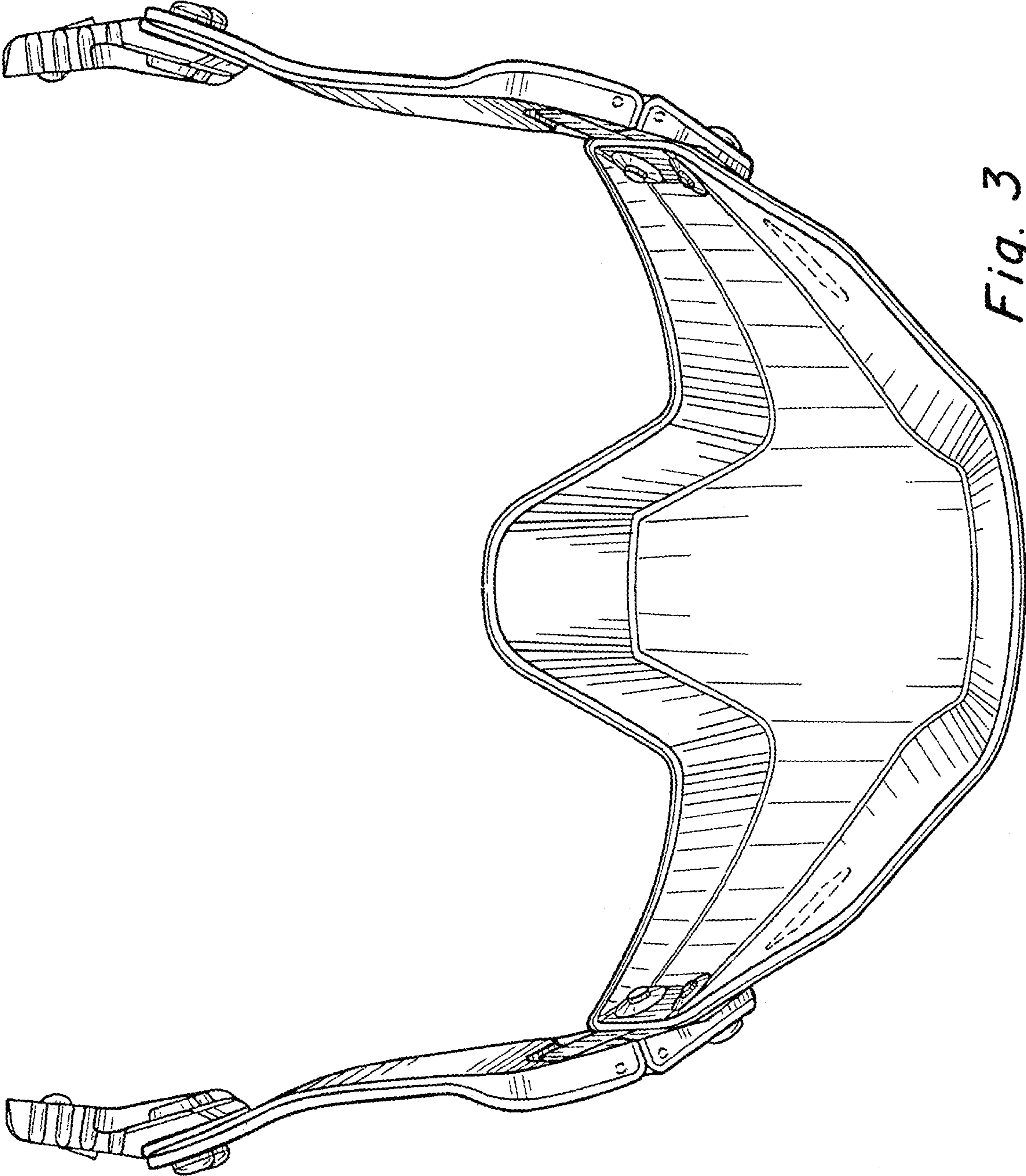


Fig. 3

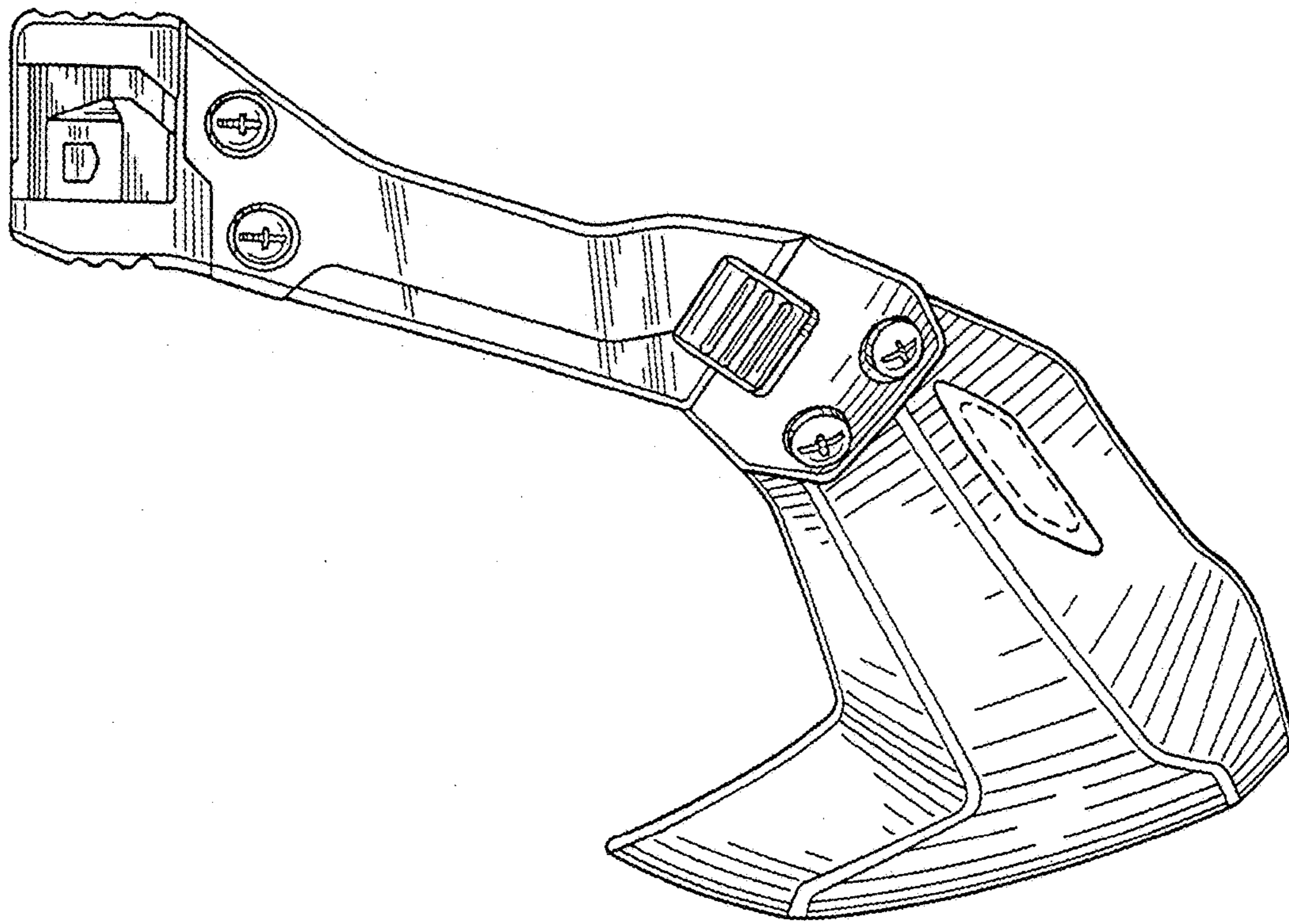


Fig. 5

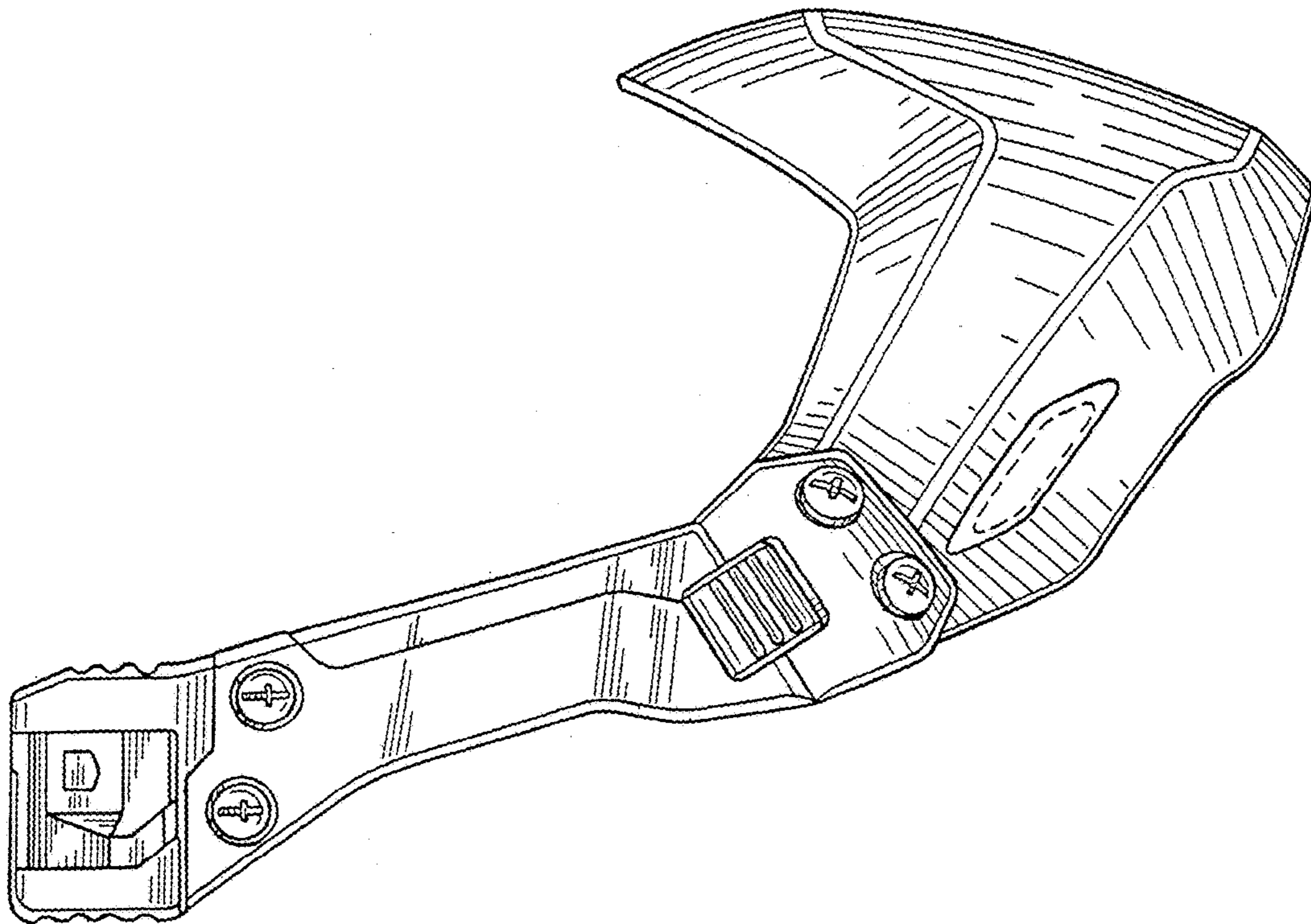


Fig. 4

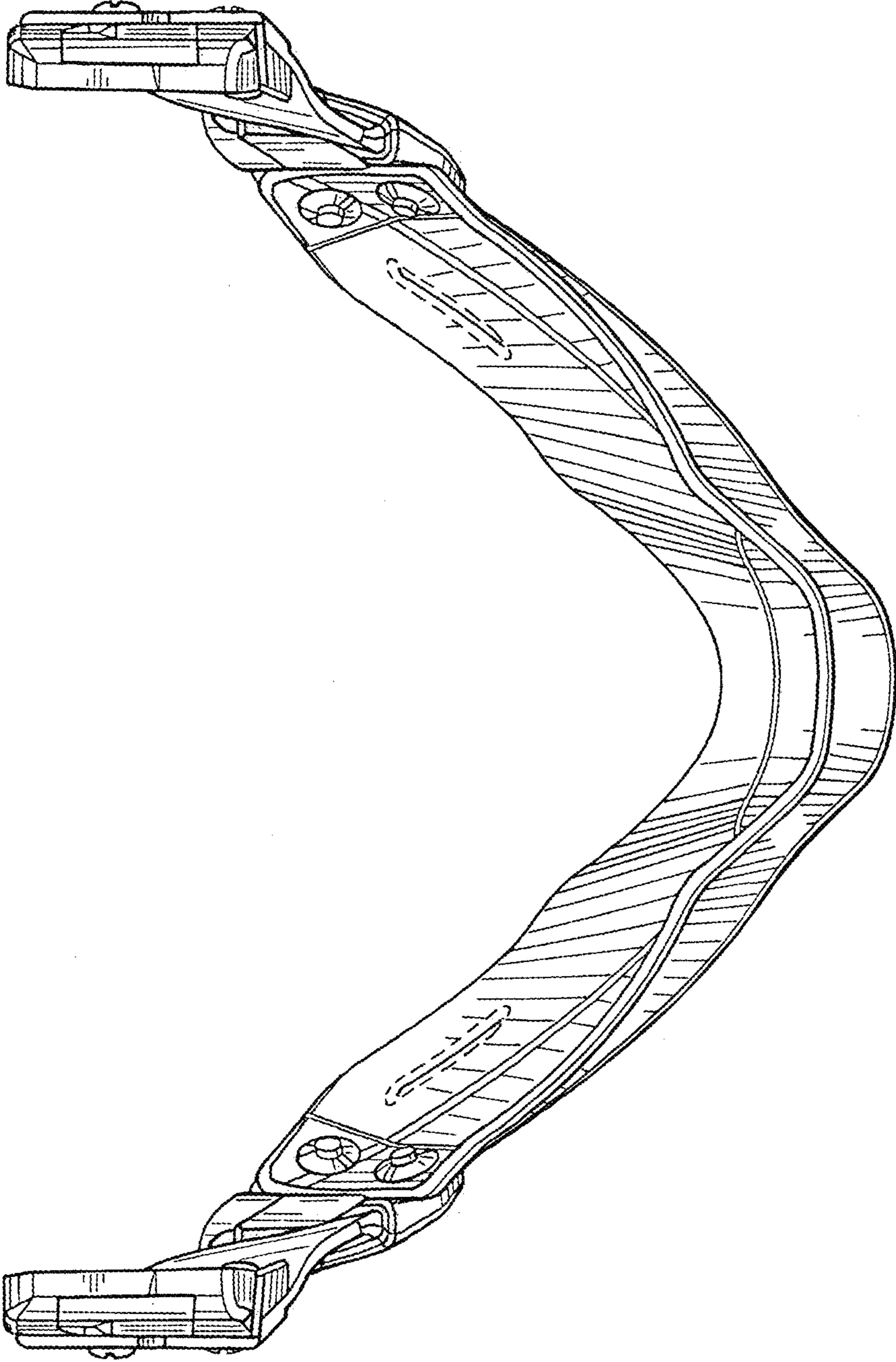


Fig. 6

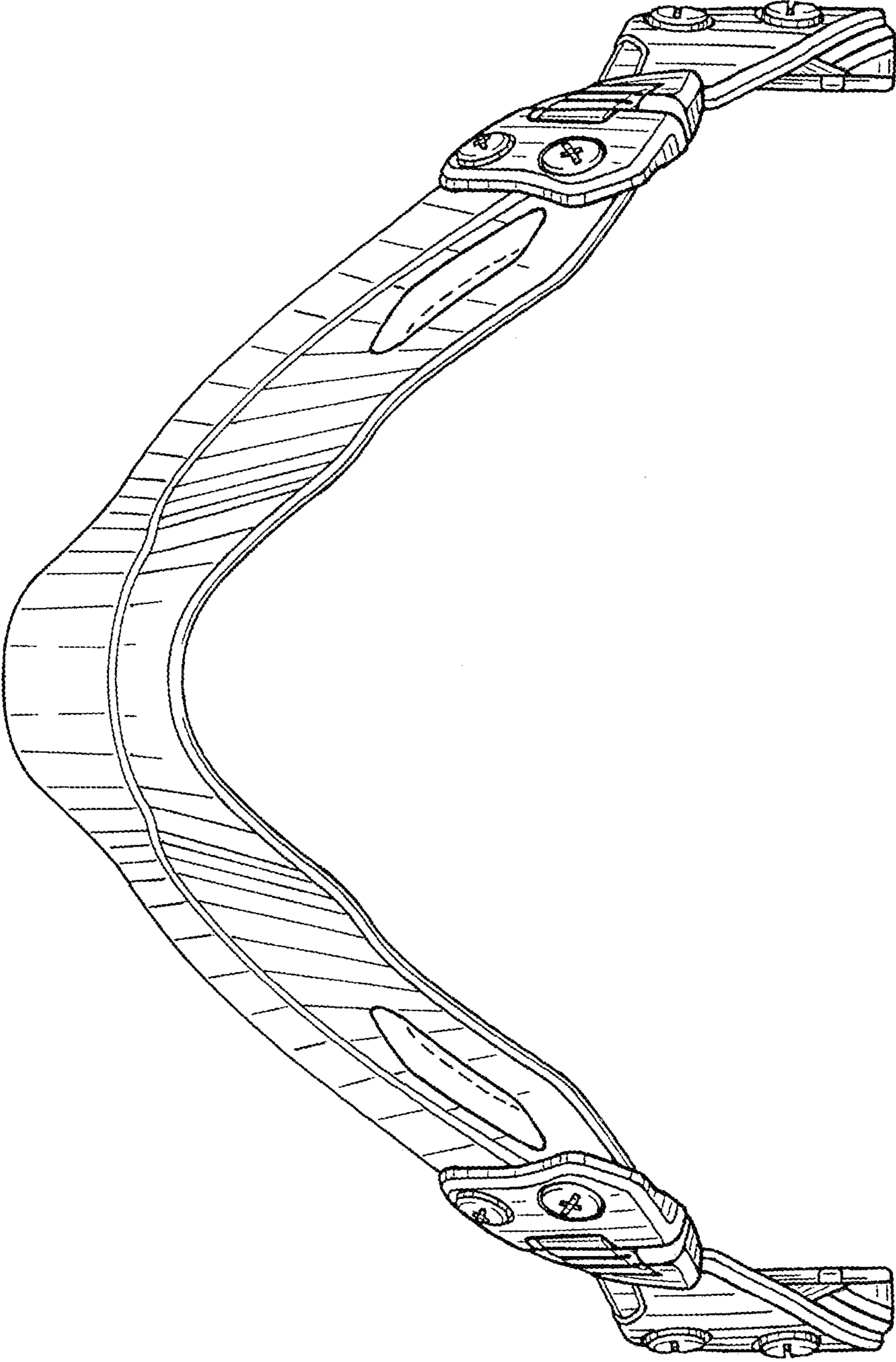


Fig. 7