



US00D919184S

(12) **United States Design Patent** (10) **Patent No.:** **US D919,184 S**  
**Feng** (45) **Date of Patent:** **\*\* May 11, 2021**

(54) **NAIL LAMP**

(71) Applicant: **Wenjin Feng**, Yangjiang (CN)

(72) Inventor: **Wenjin Feng**, Yangjiang (CN)

(\*\*) Term: **15 Years**

(21) Appl. No.: **29/746,975**

(22) Filed: **Aug. 19, 2020**

(51) **LOC (13) Cl.** ..... **28-03**

(52) **U.S. Cl.**  
USPC ..... **D28/58**

(58) **Field of Classification Search**  
USPC ..... D28/58  
CPC ..... A45D 29/00; A45D 29/007; A45D 29/20;  
A45D 2200/15-155; A45D 2200/205  
See application file for complete search history.

(56) **References Cited**

**U.S. PATENT DOCUMENTS**

D686,369 S	7/2013	Horvath et al.	
D692,617 S *	10/2013	Haile	D28/58
8,835,886 B2	9/2014	Vu	
D747,828 S	1/2016	Vu et al.	
D765,314 S *	8/2016	Loibl	D28/58
9,707,537 B2 *	7/2017	Haile	A45D 29/00
D838,042 S *	1/2019	Ouyang	D28/58
D838,043 S *	1/2019	Ouyang	D28/58
D842,546 S *	3/2019	Ouyang	D28/58
D857,993 S *	8/2019	Hsieh	D28/58
10,393,433 B2	8/2019	Valia et al.	
D858,882 S *	9/2019	Hsieh	D28/58
D858,883 S *	9/2019	Wu	D28/58
D858,884 S *	9/2019	Wu	D28/58
D858,885 S	9/2019	Wu et al.	
D864,485 S	10/2019	Ouyang et al.	
10,477,935 B1 *	11/2019	Luu	G21K 5/02

10,506,861 B1	12/2019	Ma	
D872,369 S *	1/2020	Le	D28/58
D875,318 S *	2/2020	Hsieh	D28/58
10,548,382 B2 *	2/2020	Cheng	A45D 29/00
D880,068 S *	3/2020	Wu	D28/58
D890,431 S *	7/2020	Hsieh	D28/58
D899,691 S *	10/2020	Fan	D28/58
D900,396 S *	10/2020	Zhang	D28/58
10,835,010 B1 *	11/2020	Luu	A45D 29/00
2013/0020509 A1 *	1/2013	Horvath	A45D 29/00 250/492.1
2015/0230582 A1 *	8/2015	Alexander	A45D 29/00 34/239
2016/0353856 A1 *	12/2016	Horvath	A45D 29/22
2021/0022473 A1 *	1/2021	Hurter	A45D 29/00

\* cited by examiner

*Primary Examiner* — Jennifer Rivard

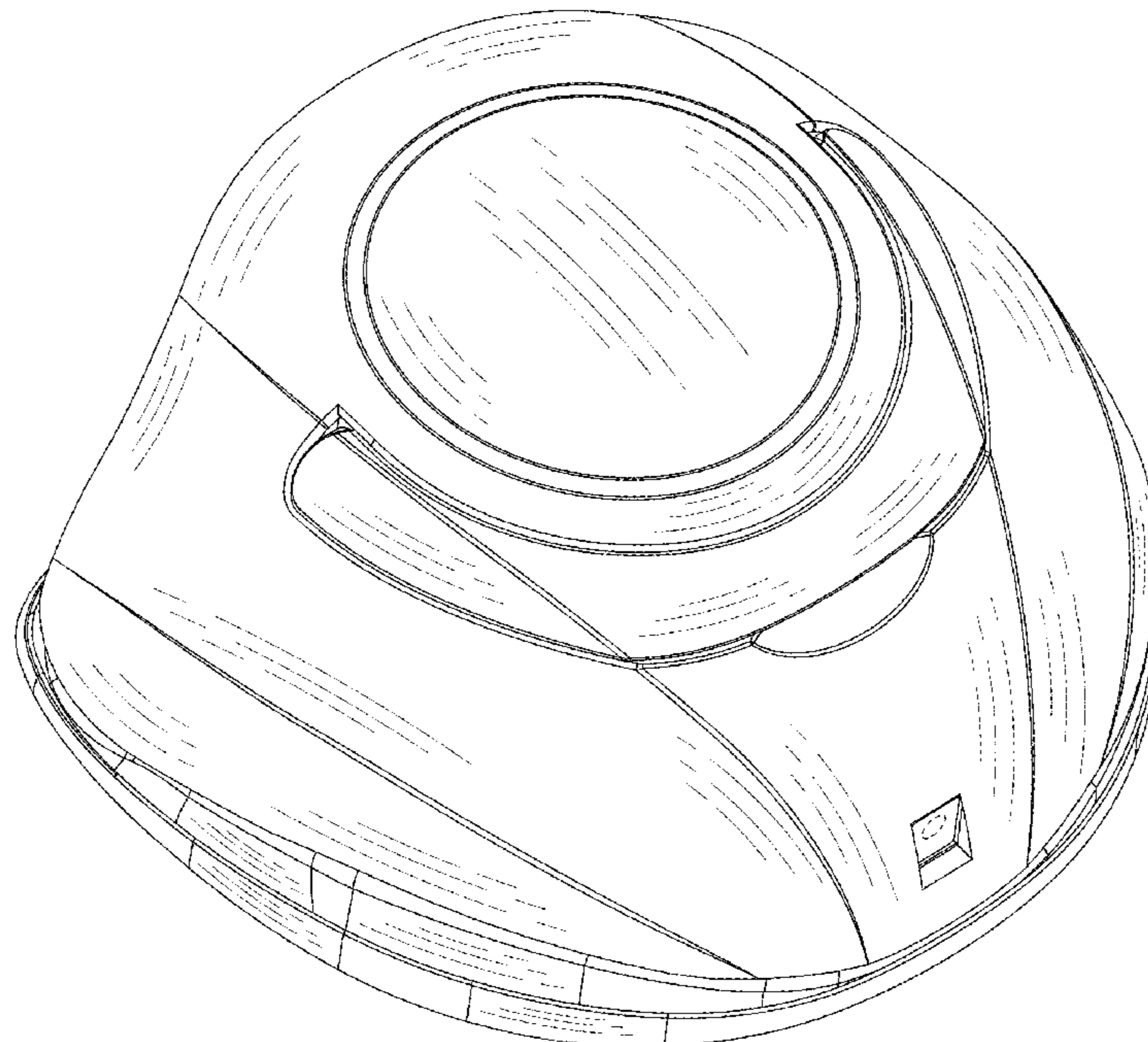
(57) **CLAIM**

The ornamental design for a nail lamp, as shown and described.

**DESCRIPTION**

FIG. 1 is a perspective view of a nail lamp showing my new design;  
 FIG. 2 is a front elevational view thereof;  
 FIG. 3 is a rear elevational view thereof;  
 FIG. 4 is a left side elevational view thereof;  
 FIG. 5 is a right side elevational view thereof;  
 FIG. 6 is a top plan view thereof;  
 FIG. 7 is a bottom plan view thereof;  
 FIG. 8 is another perspective view thereof; and,  
 FIG. 9 is another perspective view thereof.  
 The broken lines throughout the drawing figures depict portions of the nail lamp that form no part of the claimed design.

**1 Claim, 9 Drawing Sheets**



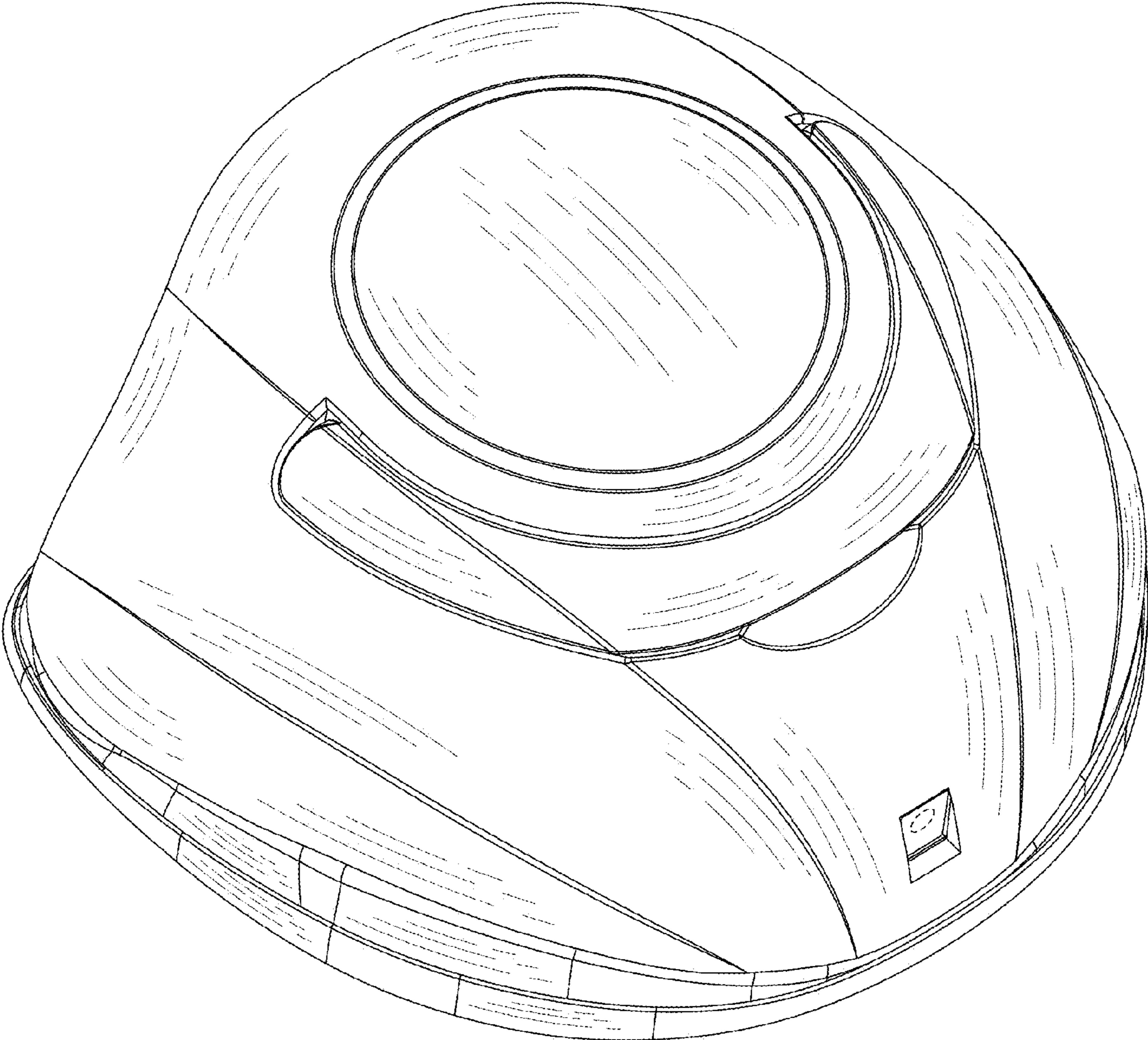


FIG.1

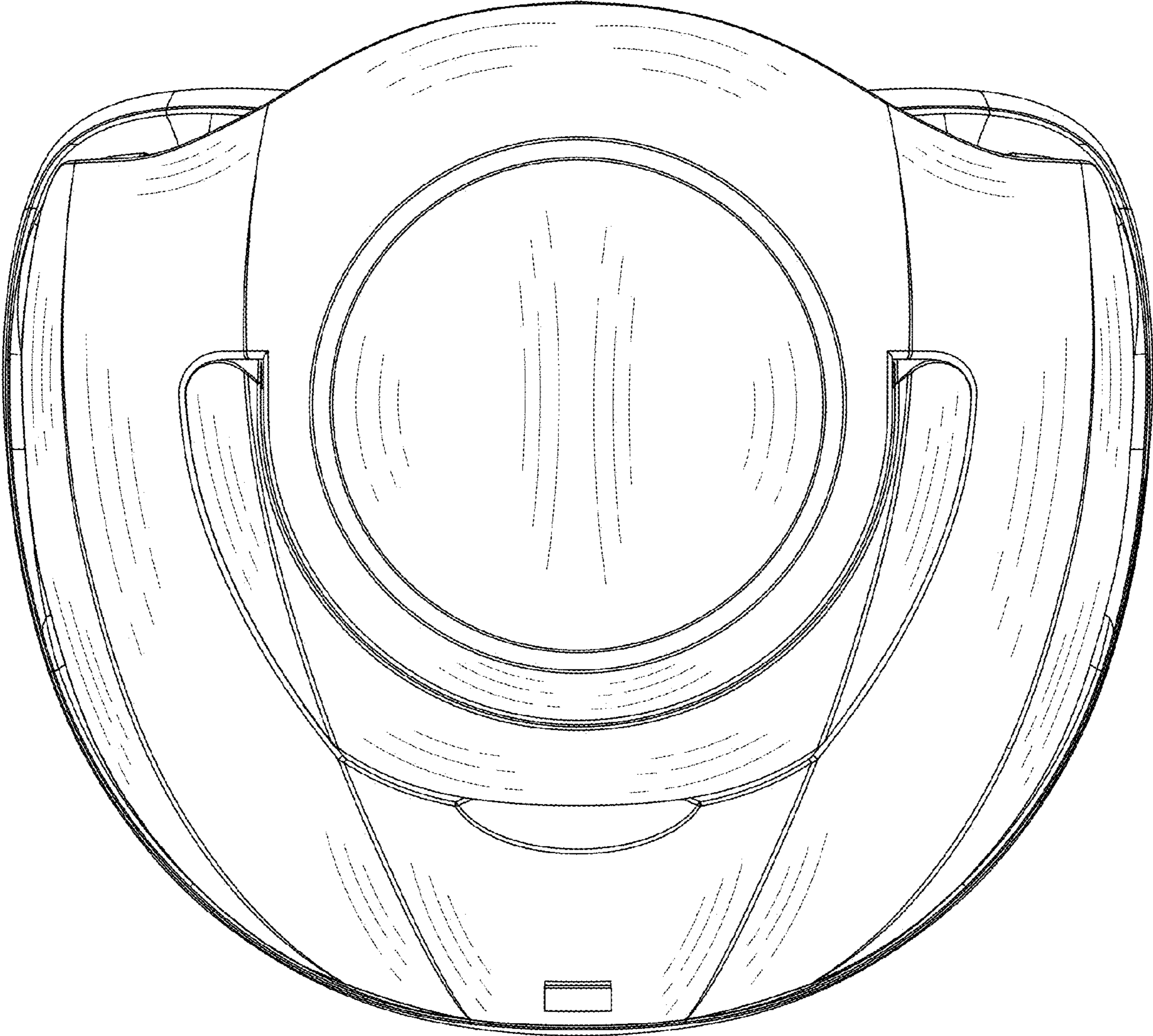


FIG.2

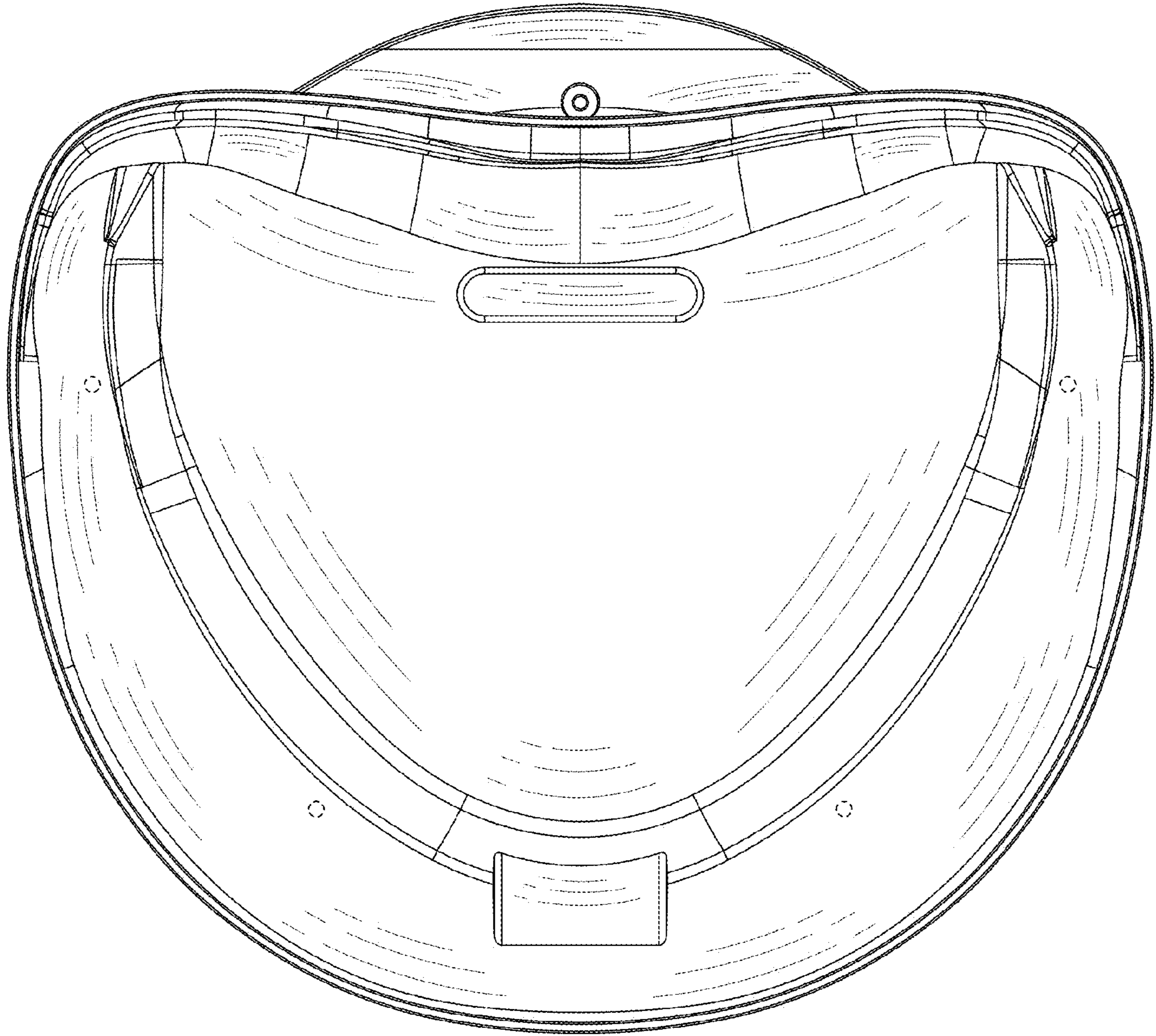


FIG.3

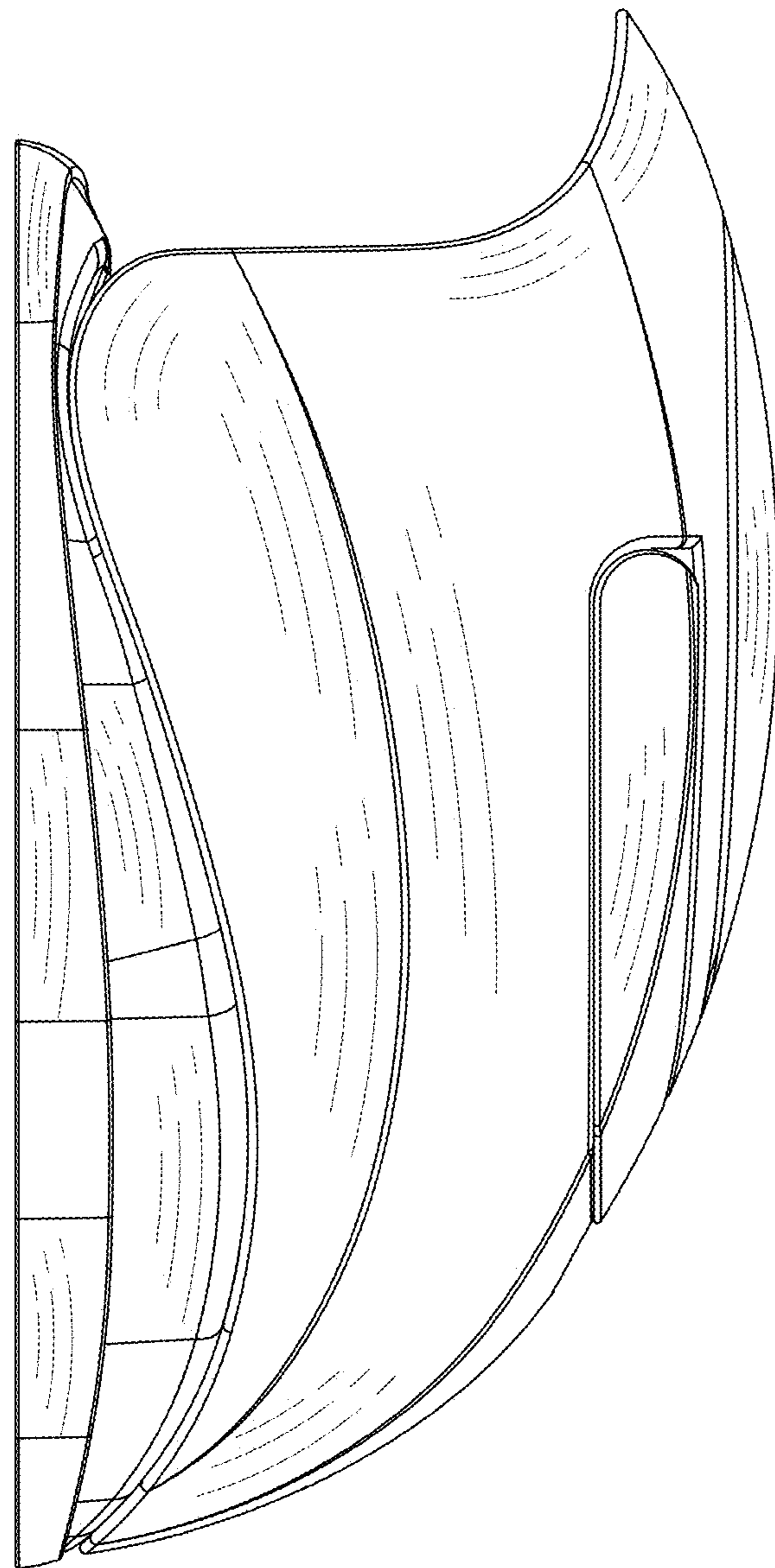


FIG.4

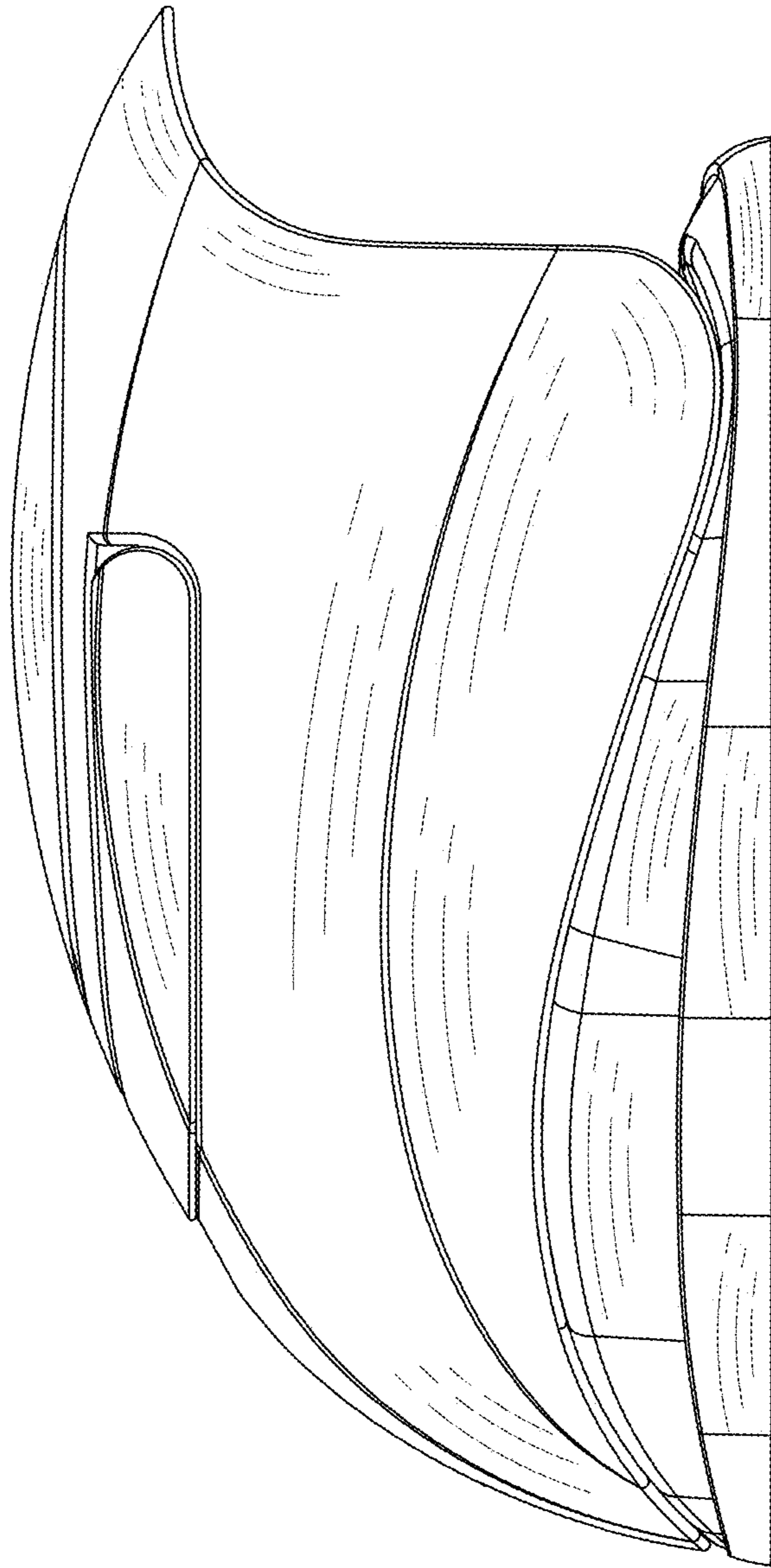


FIG.5

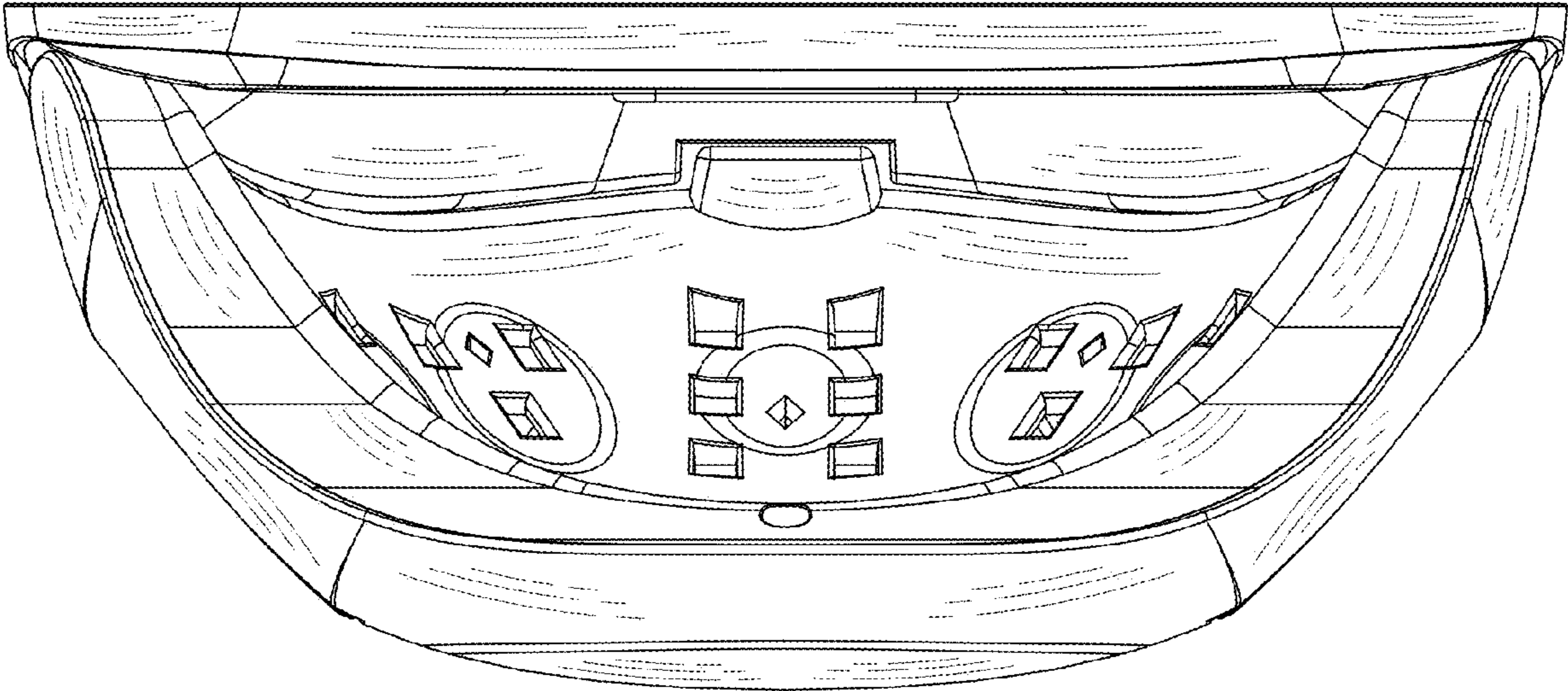


FIG.6

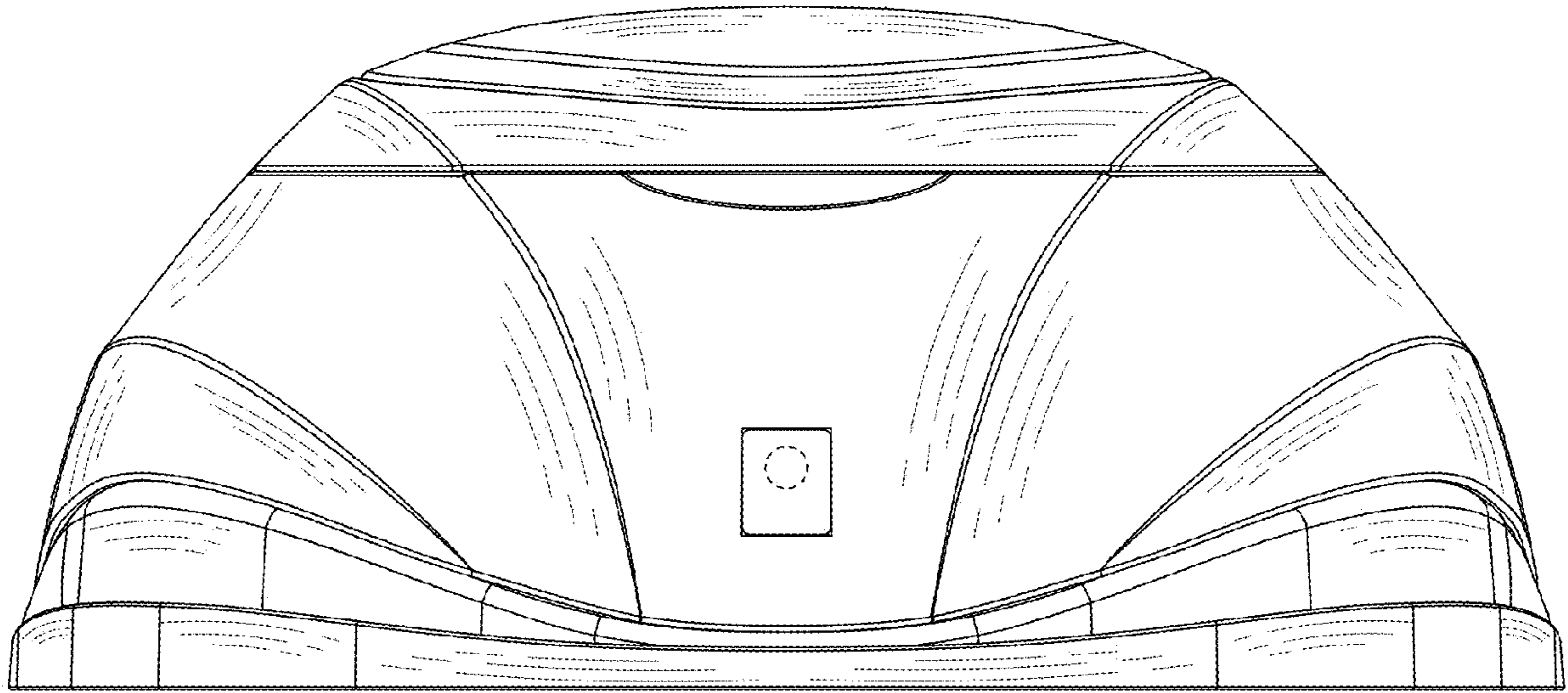


FIG.7



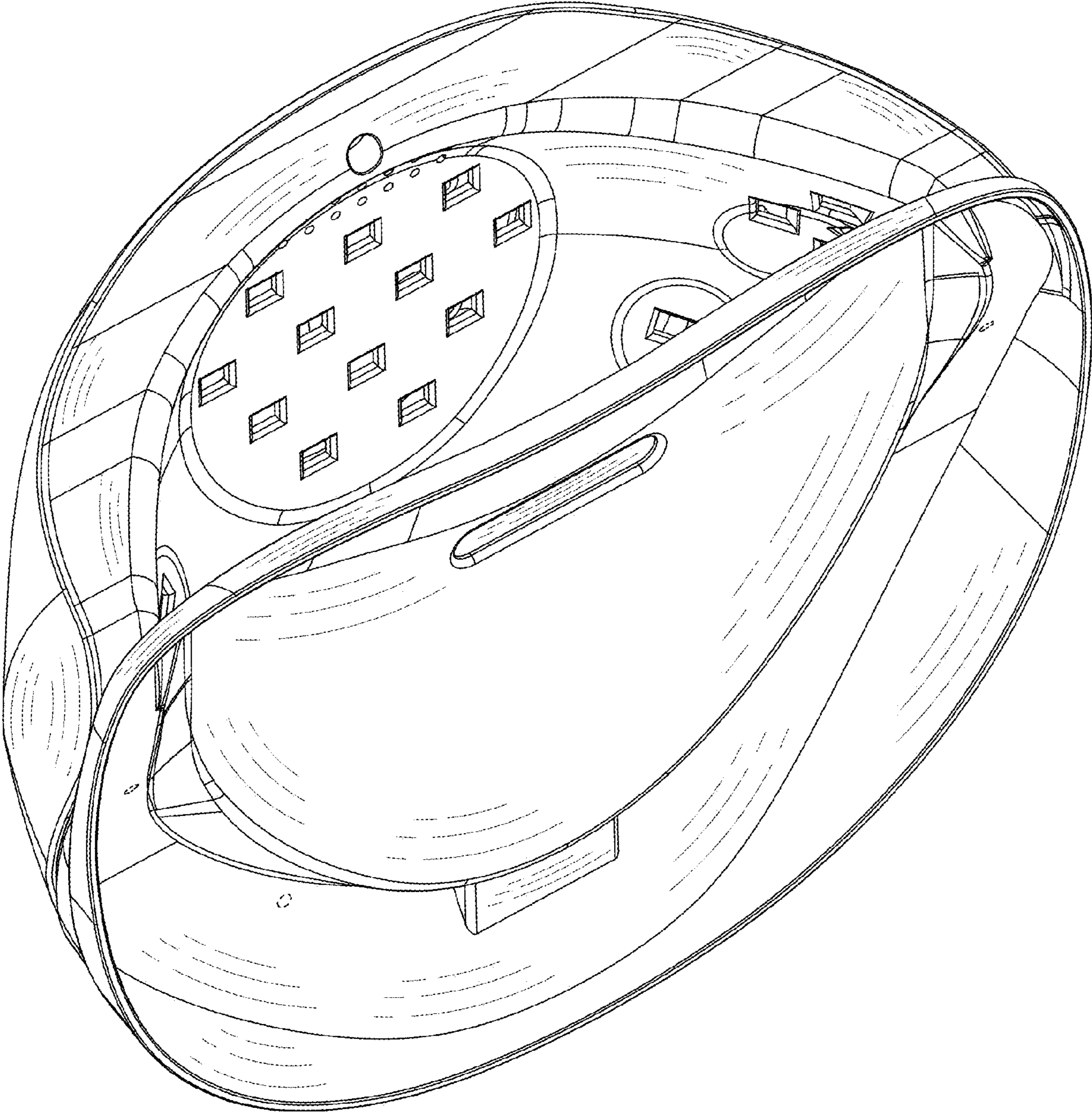


FIG.8

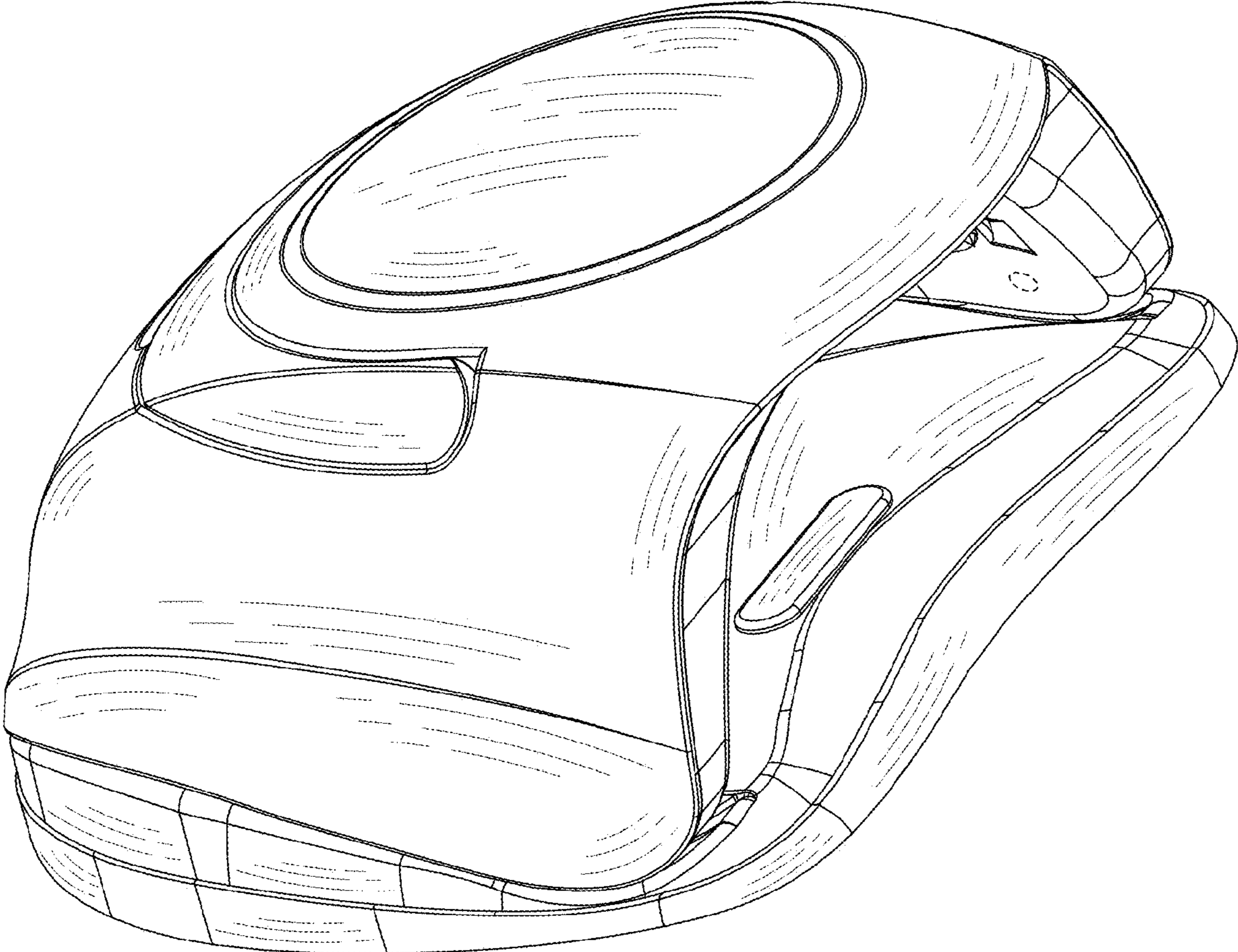


FIG.9