



US00D919183S

(12) **United States Design Patent** (10) **Patent No.:** **US D919,183 S**
Jiang (45) **Date of Patent:** **** May 11, 2021**

(54) **ELECTRIC HAIR CLIPPER** D696,459 S * 12/2013 Chan D28/53
D830,633 S * 10/2018 Gamble D28/53
(71) Applicant: **NINGBO ICLIPPER ELECTRIC** D867,663 S * 11/2019 Boulanger D28/53
APPLIANCE CO., LTD., Ningbo D897,603 S * 9/2020 Zhang D28/53
(CN) 2013/0247393 A1* 9/2013 Poladian B26B 21/16
30/526

(72) Inventor: **Qi Jiang**, Ningbo (CN)

* cited by examiner

(**) Term: **15 Years**

Primary Examiner — Jennifer Rivard

(74) *Attorney, Agent, or Firm* — W&K IP

(21) Appl. No.: **29/709,305**

(22) Filed: **Oct. 13, 2019**

(57) **CLAIM**

(51) **LOC (13) Cl.** **28-03**

The ornamental design for an electric hair clipper, as shown and described.

(52) **U.S. Cl.**

USPC **D28/53**

(58) **Field of Classification Search**

DESCRIPTION

USPC D28/49-54
CPC B26B 19/00-08; B26B 19/10-12; B26B 19/20-24; B26B 19/26-265; B26B 19/38-3826; B26B 19/3873-3893; B26B 19/42

See application file for complete search history.

FIG. 1 is a front elevation view of an electric hair clipper showing my design;

FIG. 2 is a back elevation view thereof;

FIG. 3 is a left side view thereof;

FIG. 4 is a right side view thereof;

FIG. 5 is a top plan view thereof;

FIG. 6 is a bottom plan view thereof;

FIG. 7 is a perspective view thereof; and,

FIG. 8 is another perspective view thereof.

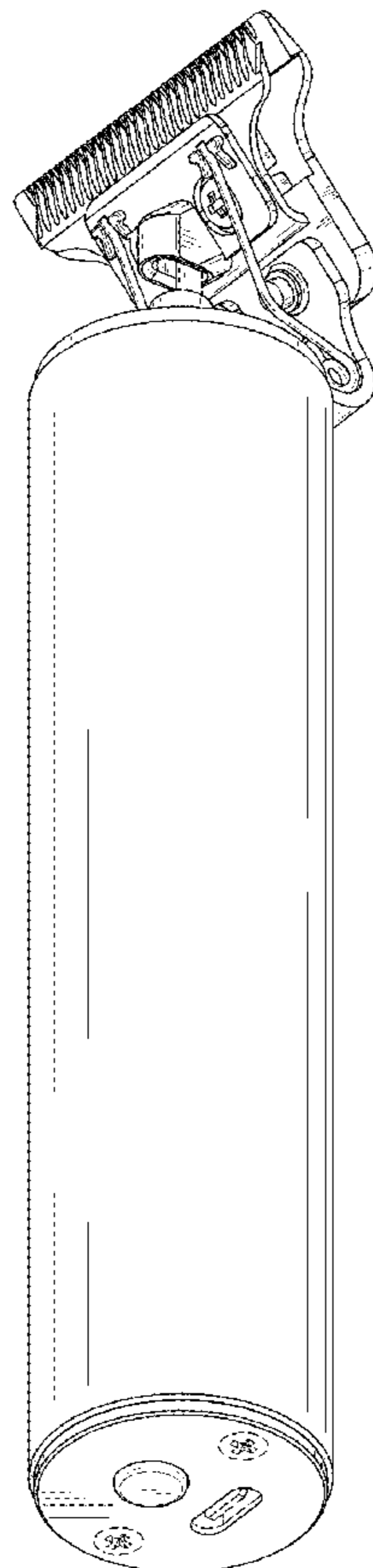
The broken lines illustrate portions of the electric hair clipper and form no part of the claimed design.

(56) **References Cited**

U.S. PATENT DOCUMENTS

D554,291 S * 10/2007 Darnell D19/163
D569,552 S * 5/2008 Marquez D28/53
D577,864 S * 9/2008 Kitagawa D28/53
D646,024 S * 9/2011 Leventhal D28/51

1 Claim, 7 Drawing Sheets



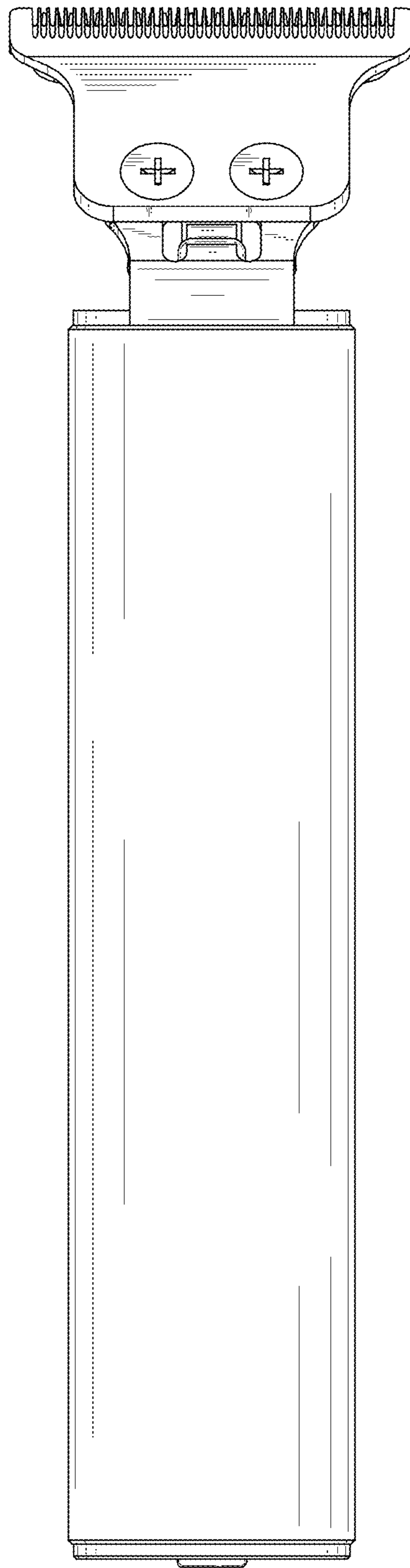


FIG.1

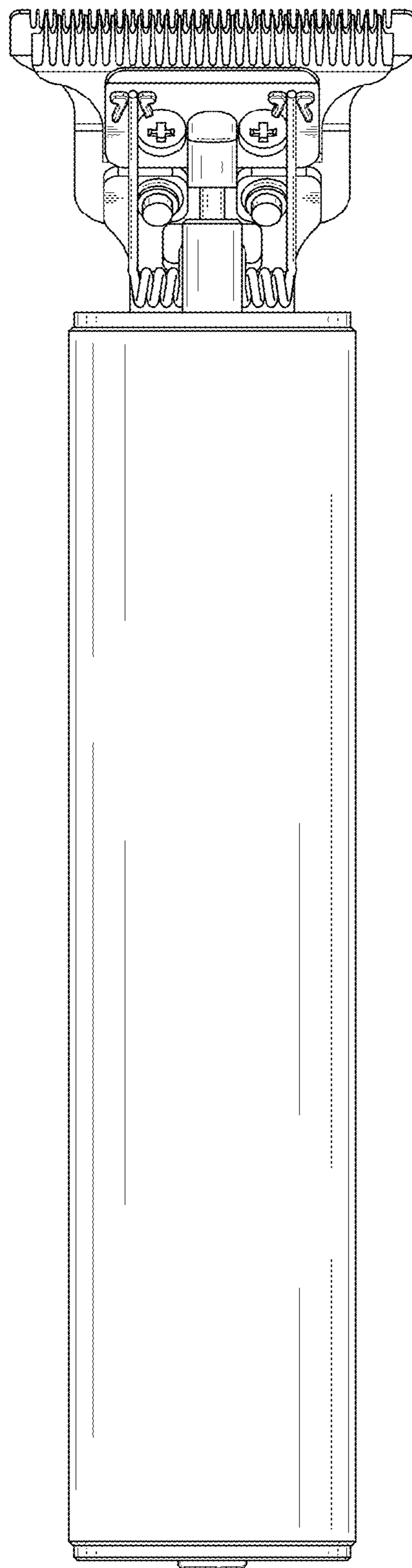


FIG.2

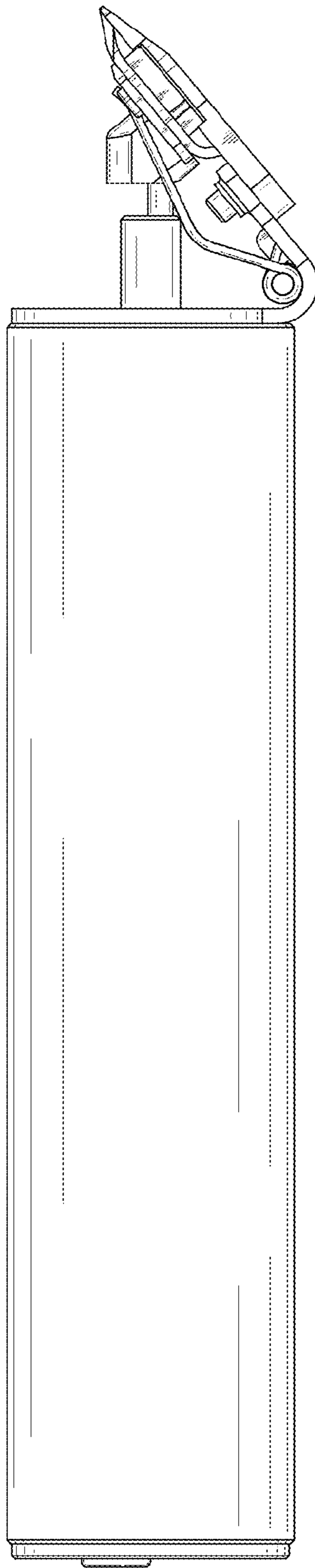


FIG.3

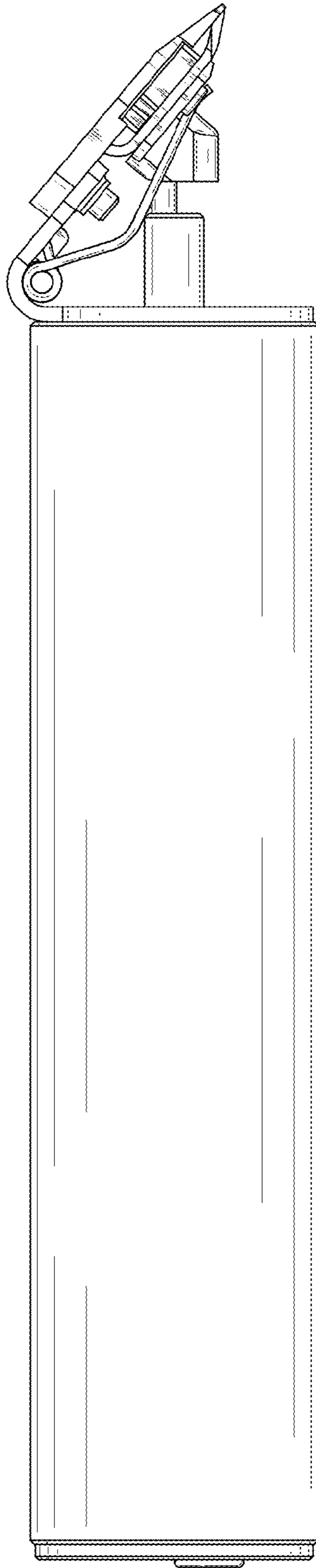


FIG.4

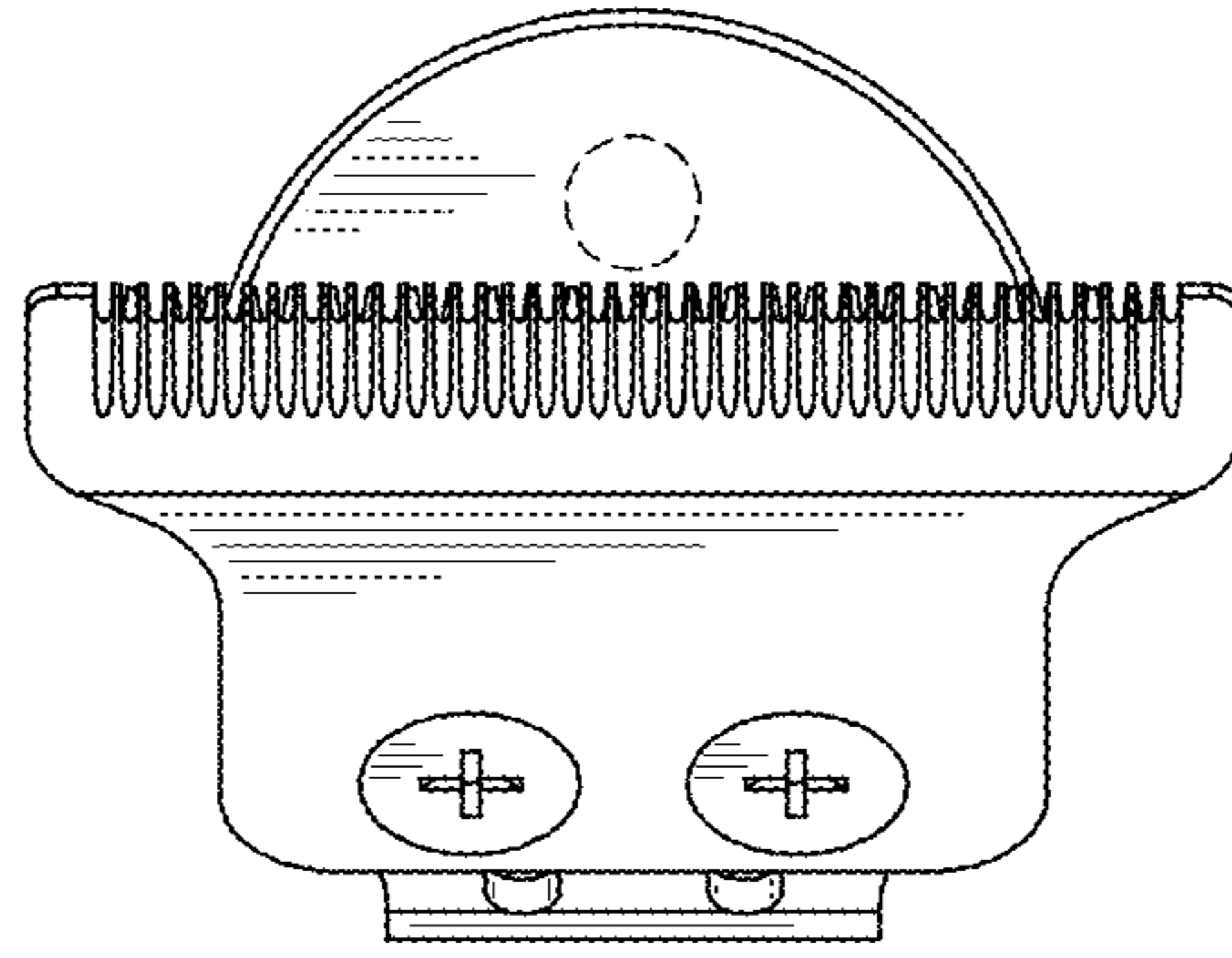


FIG.5

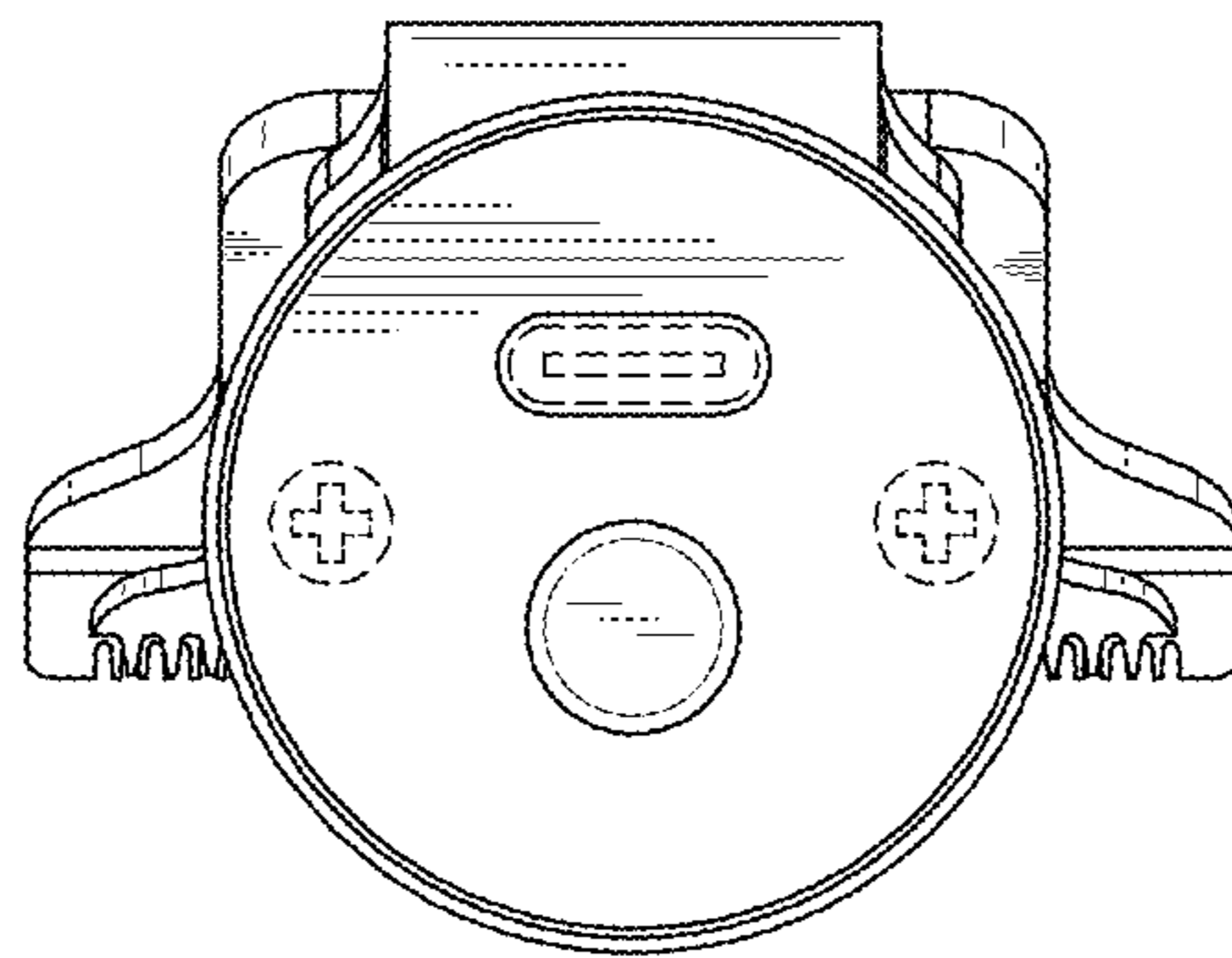


FIG.6

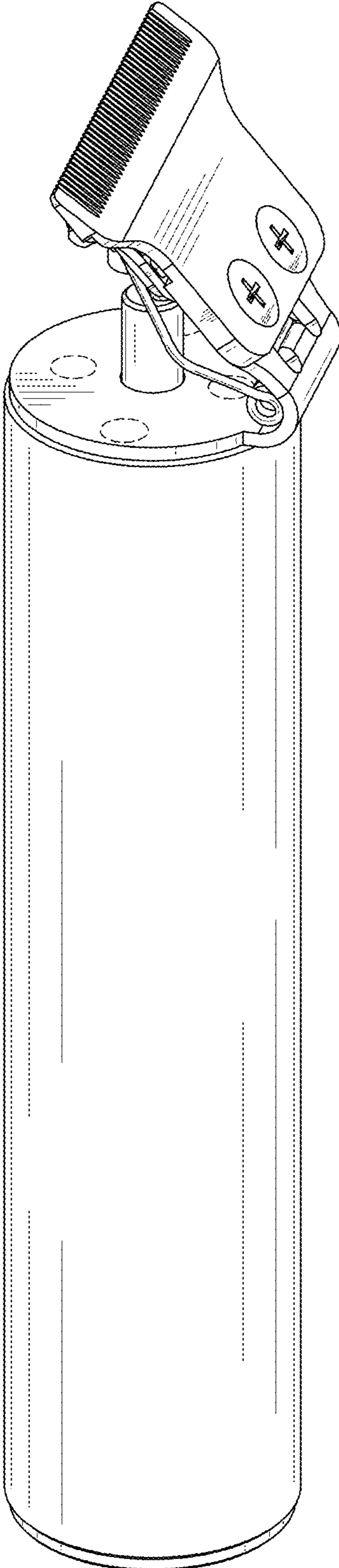


FIG.7

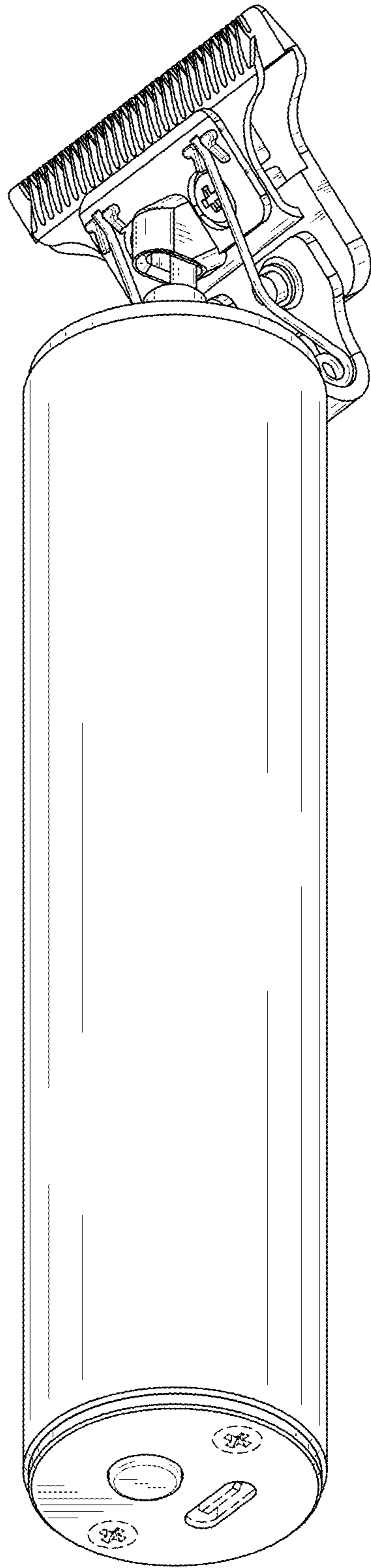


FIG.8